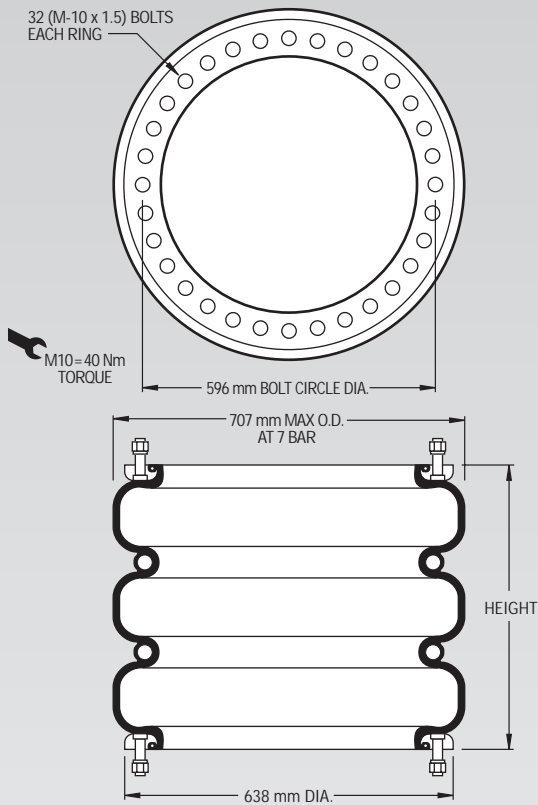


**NOTE: All Assembly Order Numbers are for bead ring parts unless noted otherwise.**

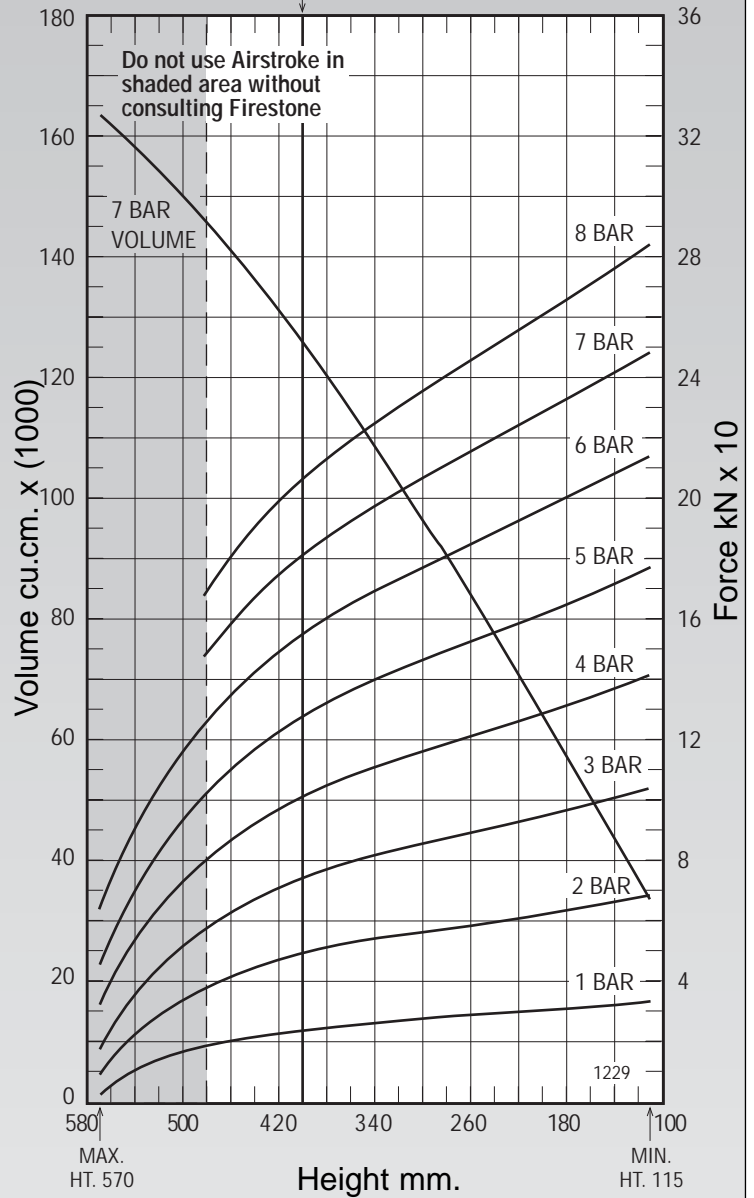
|   | Description   | Assembly Order No. |
|---|---|--------------------|
| Style 321                                     | Aluminum ribbed neck bead rings (equal spacing), 45 mm bolts, nuts, washers | W01-M58-6984       |
| High Strength Construction                    | Rubber bellows only   | W01-358-7919       |
| Assembly weight.....                          |   | 23.2 kg.           |
| Force to collapse to minimum height (@ 0 BAR) |   | 800 N.             |



CONSULT FIRESTONE BEFORE USING AS AIRMOUNT

RECOMMENDED AIRMOUNT DESIGN HEIGHT 380 mm.

**Static Data**  
1229



See page 12 for instructions on how to use chart.

**Dynamic Characteristics at 380 mm Design Height**  
(Required for Airmount isolator design only)

| Gauge Pressure (BAR) | Load (kN) | Spring Rate (kN/m) | Natural Frequency Hz |
|----------------------|-----------|--------------------|----------------------|
| 3                    | 77.48     | 465                | 1.22                 |
| 4                    | 104.95    | 592                | 1.18                 |
| 5                    | 132.00    | 716                | 1.16                 |
| 6                    | 160.98    | 839                | 1.14                 |
| 7                    | 187.60    | 954                | 1.12                 |

**Force Table (Use for Airstroke™ actuator design)**

| Assembly Height (mm) | Volume @ 7 BAR (cu cm) | EFF Area @ 7 BAR (cm sq.) | kN Force |         |         |         |         |
|----------------------|------------------------|---------------------------|----------|---------|---------|---------|---------|
|                      |                        |                           | @ 3 BAR  | @ 4 BAR | @ 5 BAR | @ 6 BAR | @ 7 BAR |
| 440                  | 135784                 | 2394                      | 67.39    | 92.19   | 116.52  | 143.26  | 167.54  |
| 400                  | 125615                 | 2596                      | 74.50    | 101.14  | 127.36  | 155.70  | 181.66  |
| 360                  | 114722                 | 2757                      | 80.12    | 108.37  | 136.16  | 165.72  | 192.94  |
| 320                  | 102796                 | 2897                      | 84.65    | 114.48  | 143.61  | 174.35  | 202.76  |
| 280                  | 90465                  | 3026                      | 88.33    | 119.71  | 150.09  | 182.12  | 211.80  |
| 240                  | 77839                  | 3151                      | 91.63    | 124.49  | 156.08  | 189.54  | 220.56  |
| 200                  | 64589                  | 3277                      | 95.16    | 129.35  | 162.19  | 197.05  | 229.36  |
| 160                  | 50778                  | 3407                      | 99.35    | 134.85  | 168.98  | 204.99  | 238.43  |

# ADVANTAGES OF FIRESTONE AIRSTROKE™ ACTUATORS

*Why use an Airstroke actuator (rather than air or hydraulic cylinder) for actuation?*

## **LOW COST**

Generally, initial cost is one-half or less than that of conventional pneumatic or hydraulic cylinders of the same force capabilities. This initial cost advantage is many times greater in the larger sizes.

## **WIDE SIZE RANGE**

Airstroke actuators are available in sizes ranging from 85 mm to 940 mm in diameter. The force capability is up to 450 kN. Strokes of up to 355 mm are possible.

## **DURABLE FOR LONG LIFE**

Airstroke actuators are a further application of Firestone's time proven Airide springs for truck and bus suspensions. The long life and durability necessary for millions of kilometers of heavy duty suspension use under adverse environmental conditions are also important factors in machine design.

## **NO MAINTENANCE OR LUBRICATION REQUIRED**

## **NO INTERNAL ROD OR PISTON**

Airstroke actuators have no internal rod, piston, or sliding seals as do conventional cylinders. This allows for the design of Airstroke actuators into applications where dirt or grit would destroy the seals on conventional cylinders.

## **FRICTION FREE FOR IMMEDIATE RESPONSE**

Since Airstroke actuators have no sliding seals, there is no breakaway friction as with conventional cylinders.

## **FLEXIBLE MEDIA**

An Airstroke actuator can do its work with either a liquid or gas (Please see page 14 for acceptable media choices.)

## **ANGULAR CAPABILITY**

An Airstroke possesses the unique capability of stroking through an arc without a clevis. Angular motion of up to 30 degrees is possible, along with the design advantage of generally less complex linkages.

## **SIDE LOADING CAPABILITY**

Airstroke actuators, within certain limits, are not affected by side loads as are conventional cylinders. This misalignment capability eliminates potential rod bending, scoring, and excessive seal wear common to conventional cylinders.

## **COMPACT STARTING HEIGHT**

Airstroke actuators have a low profile compared to conventional cylinders. Our smallest Airstroke actuator (85 mm dia.) collapses to just 38 mm in height, while our largest triple convoluted Airstroke (940 mm dia.) will collapse to a very compact 140 mm.

## **FACTORY SEALED AND TESTED**

Most Airstroke actuators feature Firestone's proven concept of crimped end plates. The crimped design allows for preshipment testing and quicker installation on equipment.

PLEASE REFER TO PAGE 15 FOR A THOROUGH DISCUSSION OF ACTUATION.



# ADVANTAGES OF FIRESTONE AIRMOUNT™ ISOLATORS

*Why use an Airmount isolator, rather than a coil spring or other type of isolator?*

## **UNSURPASSED ISOLATION CAPABILITY**

Airmount isolators can provide the highest degree of isolation of any type vibration isolator. System natural frequencies as low as 1 hertz are available. The addition of an auxiliary reservoir can provide even lower system frequencies. In order to achieve similar results from a conventional coil spring isolator, a real deflection of 230 mm would be required.



## **CONSTANT ISOLATION EFFICIENCY**

Airmount isolators are unique in that the system's natural frequency does not change significantly with changes in load. This unique feature, combined with accurate height control, will allow the use of the same Airmount isolator at each mounting point of an unevenly loaded machine.

## **ACCURATE HEIGHT CONTROL**

Airmount isolators provide accurate height control through regulation of internal air pressure. This feature eliminates the fatigue and permanent set found in the use of other types of vibration isolators.

## **WIDE SIZE RANGE**

Airmount isolators are capable of isolating loads of 0.44 kN per mounting point to over 577 kN per mounting point.

## **COMPACT INSTALLED HEIGHT**

Airmount isolators can carry the loads and provide the isolation described above at installed heights as low as 31 mm. Coil springs providing equal isolation would require a free height of 125 mm to 635 mm.

## **EXTENDED EQUIPMENT LIFE**

Airmount isolators extend equipment life through their superior isolation capabilities.

## **EFFECTIVE NOISE REDUCTION**

Airmount isolators reduce structurally transmitted noise. Airmount isolators are also quiet in themselves, since there is no spring chatter as found in conventional coil springs.

## **VERSATILE**

Airmount isolators can be used not only to protect structural members from vibrating machinery, but are also widely used to protect delicate equipment from structurally transmitted vibration.

PLEASE REFER TO PAGE 21 FOR A THOROUGH DISCUSSION OF VIBRATION ISOLATION.

# AIR SPRING BELLOWS CONSTRUCTION



An air spring is a carefully designed rubber/fabric bellows which contains a column of compressed air. The rubber bellows itself does not provide force or support load. This is done by the column of air.

Firestone air springs are highly engineered elastomeric bellows with specially designed metal end closures. Our standard two ply air spring bellows is actually made up of four layers:

- a. An inner liner of calendered rubber.
- b. One ply of fabric reinforced rubber.
- c. A second ply of fabric-reinforced rubber (with the cords at a specific bias angle to the first ply).
- d. An outer cover of calendered rubber.

Many of our air springs are also available in high strength construction for higher pressures (see page 14 for more detailed information). In this case, there are either four plies of fabric-reinforced rubber or two plies of special high strength cord, with an inner liner and outer cover.

The two ply air spring is standard. WHERE HIGH STRENGTH CONSTRUCTION IS AVAILABLE, IT IS SO NOTED IN THE SELECTION GUIDE (PAGE 32), ON THE INDIVIDUAL DATA SHEETS, AND IN THE INDEX (PAGE 100). If the high strength style number is omitted, then it is not currently available in that particular part. Call Firestone if you have any questions on the availability of any specific assemblies.

Each air spring bellows is identified by a style number. This style number is molded into the bellows during the curing (or vulcanization) process. Examples would be 16, 22, 313, 1T15M-6, etc... This identifies ONLY the rubber/fabric bellows and NOT THE COMPLETE ASSEMBLY. There are several different end closure options available for most air springs; therefore, please always specify both the style number and the complete **assembly order number (AON)**. An example would be: Style #22, assembly order number W01-M58-6180. Both numbers are given on the individual data sheets.

# END CLOSURE OPTIONS

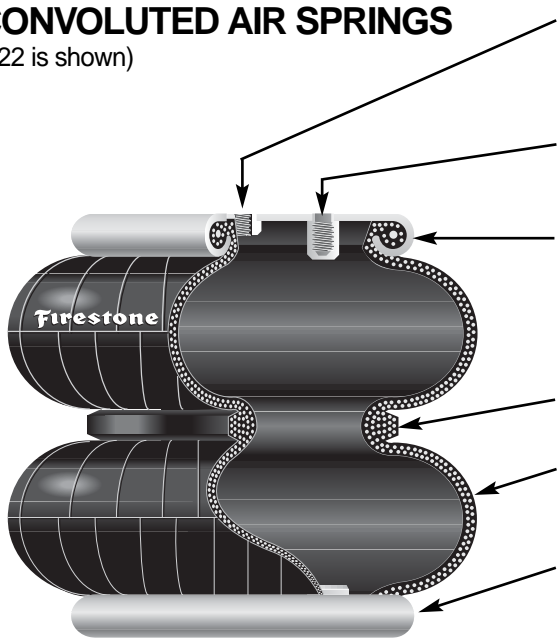
Each individual air spring data sheet shows a cross sectional view of the most popular end closure option for that part. For convoluted air springs 400 mm in diameter and less, and for the reversible sleeve air springs, THE CRIMPED BEAD PLATE ATTACHMENT IS SHOWN.

For convoluted air springs 460 mm in diameter and larger, A BEAD RING ATTACHMENT IS SHOWN. An air spring of each variety, with proper terminology for each, is shown on the following pages.

## CRIMPED BEAD PLATES

### CONVOLUTED AIR SPRINGS

(#22 is shown)



#### AIR INLET

1/4 BSP parallel is standard. 3/4 BSP parallel is also available for most parts. (See the data sheet order block on each specific part).

#### BLIND NUT

M8 x 1.25 — 6H x 15 (two or four per each plate depending on part size). Used for mounting the part.

#### UPPER BEAD PLATE

(9 gauge carbon steel, 4 mm approx). Permanently crimped to bellows to form an airtight assembly which allows for leak testing before the unit leaves the factory. Zinc/chromate plated for rust protection.

#### GIRDLE HOOP

Wire wound type shown, molded into the bellows.

#### BELLOWS

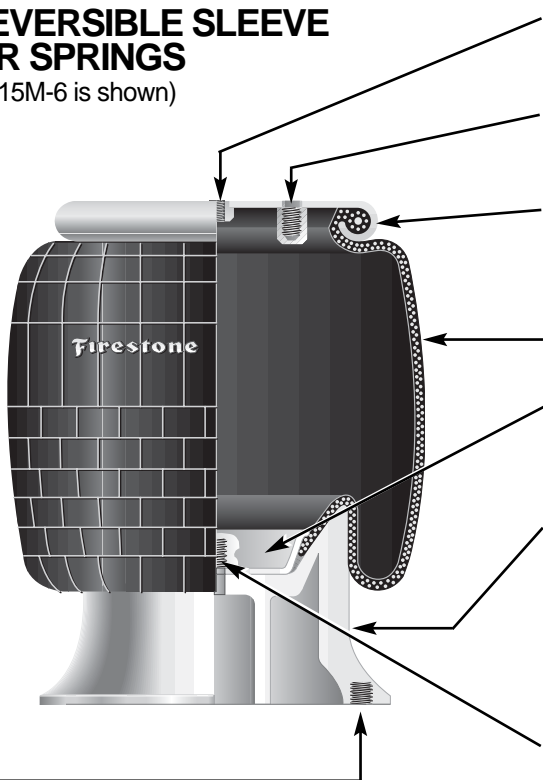
Wall gauge is approximately 6 mm. See page 5 for detailed information.

#### LOWER BEAD PLATE

Usually the same as upper bead plate, except without air inlet.

### REVERSIBLE SLEEVE AIR SPRINGS

(1T15M-6 is shown)



**AIR INLET** 1/4 BSP parallel is standard. 3/4 BSP parallel is also available for most parts. (See the data sheet order block on each specific part).

**BLIND NUT** M8 x 1.25 — 6H x 15 mm deep (two or four per each plate depending on part size). Used for mounting the part.

**BEAD PLATE** (9 gauge carbon steel, 4 mm approx). Permanently crimped to bellows to form an airtight assembly which allows for leak testing before the unit leaves the factory. Zinc/chromate plated for rust protection.

**BELLOWS** Wall gauge is approximately 6 mm. See page 5 for detailed information.

**BELLOWS END CLOSURE**—(steel) Permanently molded into the bellows (Except for styles 1T19L-7, 1T19L-11).

**PISTON** May be made of aluminum, steel, plastic or hard rubber. Held to the bellows by a bolt which screws into the bumper stud. For mounting, a long bolt may be used coming up through the mounting surface. Or, a short bolt may be used to attach the piston to the lower end closure and then use the threaded holes in the piston to secure the assembly to the mounting surface. (A piston long bolt is usually not included).

**BUMPER STUD** A permanent part of the bellows end closure (and bellows). It has two functions:

1. The optional rubber bumper snaps over the outside.
2. The inside is a threaded hole (see data sheets for thread dimension and depth) used to secure the piston to the bellows.

**THREADED HOLE** May be used for attachment to mounting surface. Not included in some pistons. (See individual data sheets for specific part configuration.)

# CRIMPED BEAD PLATE MOUNTING HARDWARE

**CRIMPED BEAD PLATE AIR SPRINGS** Use the blind nuts for attachment. This is accomplished by bringing bolts (two or four depending upon air spring

size) through the customer supplied mounting plate and tightening into the blind nut. If this bolt is too long, it may fracture the bottom out of the blind nut.



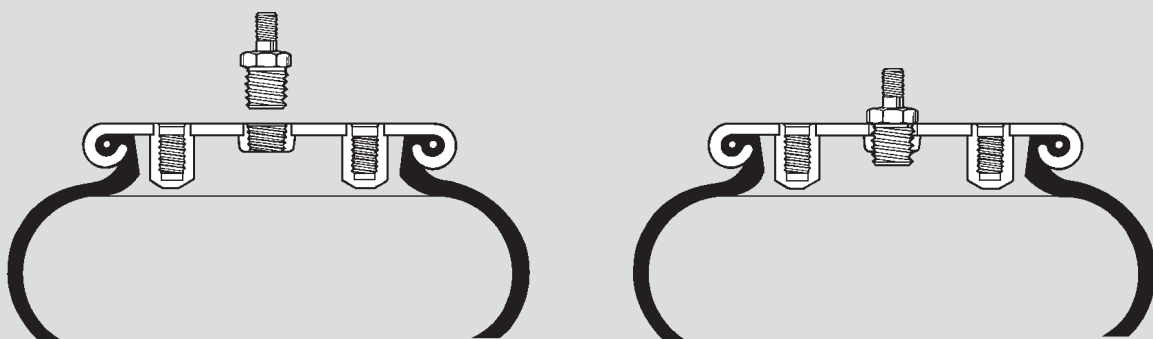
## STUD ADAPTER



If a protruding bolt, rather than a blind nut is preferred to attach the air spring, a STUD ADAPTER is available from Firestone:

**TANK VALVE** One method for inflating air springs (primarily used in Airmount isolator applications) is with a tank valve. An air hose chuck is used (as inflating a tire with an air line). Care must be taken to

periodically check the pressure within the air spring, because air will slowly permeate through the rubber/fabric bellows (See page 25).

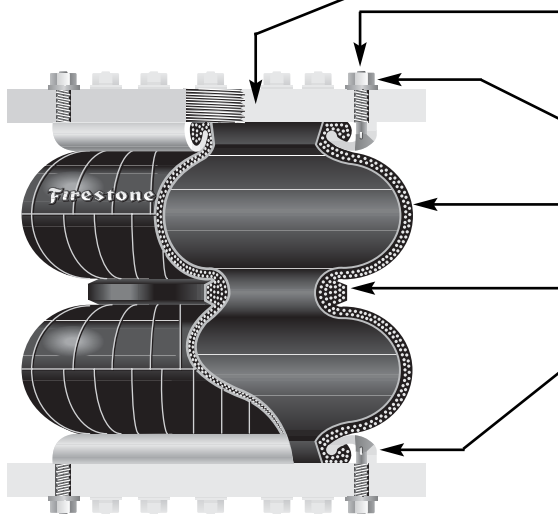


# END CLOSURE OPTIONS

## STEEL BEAD RINGS

### CONVOLUTED AIR SPRINGS

(#22 is shown, with bead rings instead of crimped bead plates)



**MOUNTING PLATE** is not included. See page 10 for material, machining recommendations, and installation instructions.

**BEAD RING BOLT** May be one of four varieties. See page 10. Also refer to the data sheet order block on each individual part for bolt lengths.

**NUTS AND LOCKWASHERS** are included with the part. (Except for socket head type bead rings).

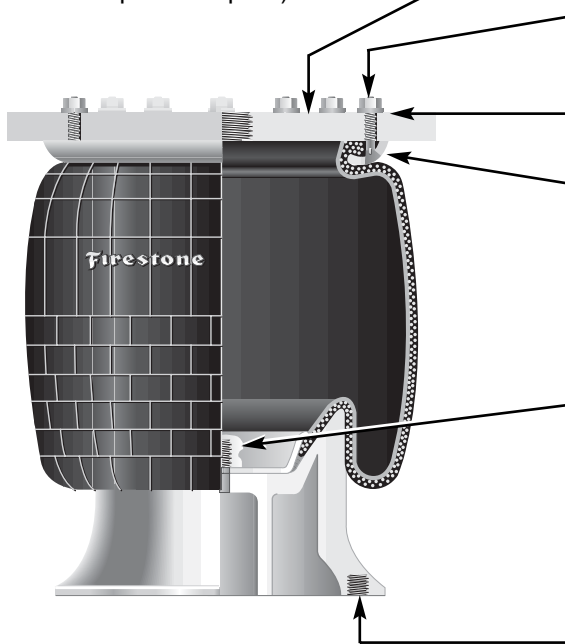
**BELLOWS** Wall gauge is approximately 6 mm. See page 5 for detailed information.

**GIRDLE HOOP** Wire wound type shown, molded into the bellows.

**BEAD RING**, upper and lower. Countersunk steel type shown. May also be of a second stamped steel variety or made of aluminum. See page 10. Also refer to the data sheet order block on each part for type and material. See the selection guide on page 32 for bolt circle diameter and number of bolts (each ring).

### REVERSIBLE SLEEVE AIR SPRINGS

(1T15M-6 is shown, with a bead ring instead of a crimped bead plate)



**MOUNTING PLATE** is not included. See page 10 for material, machining recommendations, and installation instructions.

**BEAD RING BOLT** May be one of four varieties. See page 10. Also refer to the data sheet order block on each individual part for bolt lengths.

**NUTS AND LOCKWASHERS** are included with the part. (Except for socket head type bead rings).

**BEAD RING** Countersunk steel type shown. See the selection guide on page 32 for bolt circle diameter and number of bolts (each ring).

**BUMPER STUD** A permanent part of the bellows end closure (and bellows). It has two functions:

1. The optional rubber bumper snaps over the outside (of it).
2. The inside is a threaded hole (see data sheets for thread dimension and depth) used to secure the piston to the bellows.

**THREADED HOLE** May be used for attachment to mounting surface. Not included in some pistons (See individual data sheets for specific part configuration.)

# END CLOSURE OPTIONS

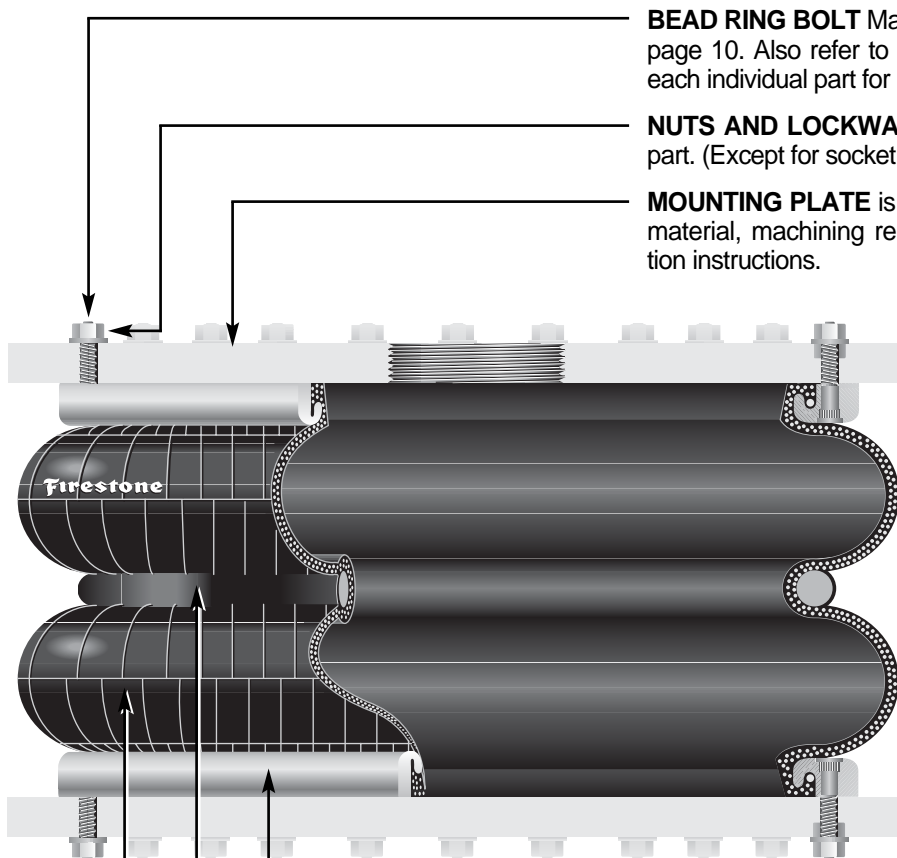
## LARGE PARTS WITH ALUMINUM BEAD RINGS

All of the parts that are shown with crimped bead plates are also available with bead rings. (Bead plates are not suitable for some applications.) Typical examples of where bead rings are often used follow:

1. Where parts are stacked to increase stroke (See page 16).
2. Where the air spring is being used as a boot or flexible connector (See page 29).
3. When used as an Airmount isolator with an auxiliary reservoir (See page 24).
4. When air must move in or out of the unit at an extremely fast rate (and a  $\frac{3}{4}$  BSP air inlet is too small).
5. When used with an internal shaft, to either guide the part or to pull (rather than push) a load.

## CONVOLUTED AIR SPRINGS

(#203 is shown)



**BEAD RING BOLT** May be one of four varieties. See page 10. Also refer to the data sheet order block on each individual part for bolt lengths.

**NUTS AND LOCKWASHERS** are included with the part. (Except for socket head type bead rings).

**MOUNTING PLATE** is not included. See page 10 for material, machining recommendations, and installation instructions.

**BEAD RING**, upper and lower. (Aluminum)

**GIRDLE HOOP** Solid steel type shown, molded into the bellows.

**BELLOWS** Wall gauge is approximately 6 mm. See page 5 for detailed information.



# END CLOSURE OPTIONS

## THE FOUR TYPES OF BEAD RINGS

| BUTTON HEAD STEEL BEAD RING   | COUNTERSUNK STEEL BEAD RING   | RIBBED NECK ALUMINUM BEAD RING   | SOCKET HEAD ALUMINUM BEAD RING  |
|---|---|--|---|
|  |  |  |  |
| <b>Standard Bolt Length</b><br>40 mm  | <b>Standard Bolt Length</b><br>40 mm  | <b>Standard Bolt Length</b><br>45 mm   | <b>Optional Bolt Length</b><br>32 mm  |
| <b>Standard Effective Length</b><br>25 mm   | <b>Standard Effective Length</b><br>28 mm   | <b>Standard Effective Length</b><br>35 mm  | <b>Optional Effective Length</b><br>17 mm   |
| <b>Standard Order Number (bolt only)</b><br>WC1-M58-3632                          | <b>Standard Order Number (bolt only)</b><br>WC1-M58-3630                          | <b>Standard Order Number (bolt only)</b><br>WC1-M58-3635                           | <b>Optional Order Number (bolt only)</b><br>WC1-M58-0543                            |
| <b>Thread</b><br>M8 x 1.0   | <b>Thread</b><br>M8 x 1.0   | <b>Thread</b><br>M10 x 1.5   | <b>Thread</b><br>M10 x 1.5  |
| <b>Tightening Torque Nm</b><br>23 to 30   | <b>Tightening Torque Nm</b><br>23 to 30   | <b>Tightening Torque Nm</b><br>38 to 44  | <b>Tightening Torque Nm</b><br>38 to 44   |

## BEAD RINGS CONTINUED

When using bead rings, THE CUSTOMER WILL NEED TO FABRICATE HIS OWN MOUNTING PLATES. Hot or cold rolled steel provides satisfactory mounting surfaces, with specific finishes of 32 micro-inches, if machined in a circular fashion, and 250 micro-inches when ground (side to side). The thickness of mounting plates depends upon the application. The plates must be strong enough and backed by structural members to prevent bowing (of the plates) when subjected to the forces or loads involved. The rubber bellows provides its own seal; therefore, 'O' rings or other sealants are not needed when installing the part.

### INSTALLATION

Follow this technique for assembling a bead ring style bellows to the mounting plate:

- Insert the bolts into the bead ring (the bead rings have been previously attached to the bellows at the factory). The bolts will be pulled into place by the action of tightening the nuts.
- Slip all of the bolts (which are protruding through the bead ring) into the mating holes of the mounting plate and attach the lockwashers and nuts. FINGER TIGHTEN all nuts to produce a uniform gap between the bead ring and mounting plate all the way around.

- At this point, make certain that the bellows bead is properly seated under the bead ring.

PLEASE NOTE THAT UNIFORM SUCCESSIVE TIGHTENING OF THE NUTS IS IMPORTANT TO SEAT THE RUBBER BEAD PROPERLY TO THE MOUNTING PLATE FOR ITS FULL CIRCUMFERENCE.

Continue with the following sequence:

- Tighten all nuts one turn each, moving around the circle until continuous contact is made between the bead ring and mounting plate.
- Torque all nuts to the torque specifications shown on the page, going at least two complete turns around the bolt circle.

### MATERIAL

Bead rings are supplied in either steel or aluminum. Steel bead rings can be of two different types. Both the bead ring material and type of ring are called out in the description section of the order block on each individual data page. Also, the bolt length (for the bolts supplied with that particular order number) is given.

WHERE A BEAD PLATE PART IS SHOWN AND THE BEAD RING ATTACHMENT IS PREFERRED, PLEASE REFER TO THE SELECTION GUIDE ON PAGE 32 FOR BOLT CIRCLE DIAMETERS AND NUMBER OF BOLTS (EACH RING).

# END CLOSURE OPTIONS

## LARGE PARTS WITH ROLLED PLATES

### LARGE CONVOLUTED AIR SPRINGS

(#203 is shown, with rolled plates instead of bead rings)

The convoluted parts, with 442 to 569 mm max. diameter, are shown with bead rings as standard. We have developed a method for permanently attaching plates to these larger sized Airstrokes (called rolled plate assembly). These parts may be an advantage over the bead ring parts in some cases, because installation is much easier (they attach the same way as the bead plate parts). When installing the rolled plate parts, a backup plate as large in diameter as the bead plate must be used. This plate should be a minimum of 13 mm thick.

Again, for the blind nut and air entrance locations of rolled plate parts (bead rings are shown as standard on the data pages), please refer to the selection guide on page 32. The static data chart on each individual part may be used for the rolled plate version; but, two modifications must be made:

1. Increase the minimum height by 18 mm.
2. Add 18 mm to the height (bottom axis) before reading loads.



# HOW TO USE THE STATIC DATA CHART

We also refer to this chart as the load/deflection (L/D) curve for an air spring. The force [1] is given on the right hand axis vs. the air spring height [2] as shown along the bottom axis; thus, load vs. deflection. The internal volume [3] is given along the left hand axis, again vs. height [2]. It is called static data because the air spring is in a static, or non-moving, constant pressure condition. In almost all cases the static curves were run using a two ply bellows; however, WHERE A HIGH STRENGTH BELLOWS IS AVAILABLE, USE THE TWO PLY CHART FOR IT ALSO.

## AIRSTROKE ACTUATION

The important considerations are minimum height [4] (80 mm) and maximum recommended height [5] (260 mm). Subtracting one from the other gives the stroke potential for this part (260 – 80 = 180 mm). As an actuator, the entire stroke may be used, OR ANY PORTION THEREOF. IGNORE RECOMMENDED AIRMOUNT DESIGN HEIGHT [6] AND THE CORRESPONDING DARKENED LINE [7]. This height is important in using the air spring as an isolator (Airmount). It has nothing to do with the concern here of actuation. To determine the force at any given height, simply move up the height line to where it intersects any of the static pressure curves. Then move to the right and read from the force scale [1].

EXAMPLE: At 5 BAR, what is the force using a #22 from 110 to 230 mm, or 230 – 110 = 120 mm stroke? See [8] for force at 110 mm (28.75 kN) and [9] for force at 230 mm (18.75 kN). This example illustrates the primary difference between Firestone Airstrokes and conventional air cylinders. Air cylinders have a constant area for the pressure to work against, or constant effective area. THE EFFECTIVE AREA AND FORCE OF AN AIR SPRING CHANGES AS THE HEIGHT CHANGES. (There is one exception: notice the plateau section of reversible sleeve 1T type curves).



Note: On parts pages the description and assembly order numbers shown in bold type are for standard stock items.

In the example, the effective area of a #22, at 110 mm using the 5 bar curve, is:

$$\frac{28.75 \text{ kN} \times 100}{5 \text{ BAR}} = 575 \text{ cm}^2$$

at 230 mm in height, it is:

$$\frac{18.75 \text{ kN} \times 100}{5 \text{ BAR}} = 375 \text{ cm}^2$$

An air cylinder with 575 cm<sup>2</sup> of area would have a 5 bar force curve as shown by dotted line [10].

The volume curve [3] may also be of importance:

- a. If one needs to know the amount of free air to perform a desired operation.
- b. If the actuation must be completed quickly and calculations of flow through the air inlet (orifice) are required.

In each case above, the change in internal volume is required. Read up from the two heights involved to the intersecting point with the volume curve. Then move to the left and read from the volume scale. In the example, at 110 mm, #22 (notice most volume curves are at 7 bar) has an internal volume of 6200 cm<sup>3</sup> [11] and at 230 mm the volume is 12400 cm<sup>3</sup> [12]. The change in volume is then 12400 – 6200 or 6200 cm<sup>3</sup>. The volume at minimum height (6200 cm<sup>3</sup>) would not be subtracted if exhausting the air spring to atmospheric pressure.

Notice the shaded area [13]. We do not recommend that an air spring be used at heights extending into this section. The “beginning of the shaded area” for a #22 is at 260 mm [5].

SEE PAGE 15 FOR A MORE DETAILED DISCUSSION OF ACTUATION.

## AIRMOUNT ISOLATION

Because of lateral stability considerations (see page 23 for more details) we recommend that each air spring be used at a SPECIFIC HEIGHT when used as an ISOLATOR. This specific height is called the “Airmount design height” [6]. The vertical line running through this height [7] is darkened so that it is easy to see where it intersects the static curves for load readings.

EXAMPLE: Support a 20 kN load (2000 kg) with an air spring. Would a #22 be appropriate, and if so, at what height? The height isn’t much of a problem, as this part SHOULD BE USED AT 240 mm.

Simply move up the darkened line to where it intersects 20 kN [14]. That point falls between the 6 and 5 bar curves. Exactly what pressure would be required? Use the formula:

$$\text{Effective Area} = \frac{(\text{Load}) \text{ kN} \times 100}{\text{Pressure (BAR)}}$$

Determine the effective area at 240 mm (using the 6 bar curve, since 6 bar would be closer to our exact pressure than 5 bar), or:

$$\text{Effective Area} = \frac{20.4 \times 100 [15]}{6} = 340 \text{ cm}^2$$

Then divide the actual load by the effective area:

$$\frac{20 \text{ kN} \times 100}{340 \text{ cm}^2} = 5.8 \text{ bar}$$

The pressure required to support 20 kN, with a #22 at a design height of 240 mm is therefore 5.8 bar.

Please note that the static data can be converted to dynamic data (the air spring is in motion) by applying the formulas that are presented in the Airmount isolation section on page 22.

SEE PAGE 21 FOR A MORE DETAILED DISCUSSION OF VIBRATION ISOLATION.

## INTERNAL RUBBER BUMPERS

Some parts are available with internal rubber bumpers. Where a bumper is available, it is shown as a dotted line in the cross sectional view of the air spring. Additionally, when bumpers are used, please note that:

1. the minimum height is increased to the “bumper contact” point [16] (this reduces the total available stroke somewhat, by 107 – 80 = 27 mm in our #22 example), and
2. the order block contains the proper ordering numbers for parts with bumpers.

# BASIC PARAMETERS APPLICABLE TO BOTH AIRSTROKE™ ACTUATORS AND AIRMOUNT™ ISOLATORS

## MEDIA

Air springs are designed for use with compressed air. Nitrogen is also acceptable. Air springs may be filled with water or water-glycol solutions. If water is to be used, rust inhibitors should be added to protect the end closures. Two reasons for liquid filling an air spring are:

1. To reduce the internal volume of air (and therefore, INCREASE the natural frequency of the air spring) and,
2. To use a media which is incompressible. Accurate positioning would be one reason to do this.

Petroleum base fluids (most hydraulic oils fall into this category) are NOT RECOMMENDED. Moderately lubricated air will not harm the bellows.

## PRESSURE

Our "rule of thumb" is:

1. 7 bar maximum for 2 ply.
2. 12 bar maximum for high strength.

We recommend that there be a minimum THREE TIMES safety factor between maximum internal air pressure and burst pressure. So, as an example, if 7 bar is required, the burst should be 21 bar or greater. For convoluted air springs, the burst pressure DECREASES as HEIGHT INCREASES. Therefore, the determining factors are twofold: What is the maximum height into extension and what is the internal pressure at that point? Please see the AIRSTROKE INFLATION PRESSURE CHART (for single, double, and triple convoluted air springs) on page 17 for specific bar vs. height information.

For AIRMOUNT applications (where the part is used at a height very close to the shaded area), it is best to stay within 7 bar maximum for a two ply, and 12 bar maximum for a high strength air spring.

## TEMPERATURE

1. **STANDARD BELLOWS.** Our standard industrial air springs should be limited to use in the range: -37° C to 57° C.
2. **ALL NATURAL RUBBER (LOW TEMPERATURE COMPOUND).** A few of our industrial air springs are available in all natural rubber construction. This allows temperatures as low as -53°C. The range then becomes -53°C to 57°C.
3. **EPICHLOROHYDRIN (HIGH TEMPERATURE COMPOUND).** Most convoluted parts are available in this material. The operating temperature range for it is: -17°C to 107°C. Additionally, Epichlorohydrin has very good oil resistance. ALL EPICHLOROHYDRIN APPLICATIONS MUST BE APPROVED BY FIRESTONE. For more information on Epichlorohydrin please contact Firestone.

## CONTAMINATES

Shielding should be used to protect the bellows from exposure to hot metal, sand, petroleum base fluids, acids, etc. Please consult Firestone if you wish to know how the bellows will withstand a specific contaminant (For liquids such as acids, it is important to know both the concentration and temperature).

## STORAGE

The best storage environment is a dark, dry area at normal room temperature.

## WARNING

DO NOT INFLATE ASSEMBLY WHEN IT IS UNRESTRICTED. ASSEMBLY MUST BE RESTRICTED BY SUSPENSION OR OTHER ADEQUATE STRUCTURE. DO NOT INFLATE BEYOND PRESSURES RECOMMENDED IN DESIGN LITERATURE (CONTACT FIRESTONE FOR INFORMATION). IMPROPER USE OR OVERINFLATION MAY CAUSE ASSEMBLY TO BURST CAUSING PROPERTY DAMAGE OR SEVERE PERSONAL INJURY.

# AIRSTROKE ACTUATION

## SELECTION

1. Refer to the selection guide on page 32 for Airstroke force and stroke capabilities. After your list of possibilities has been reduced to one or two air springs, then turn to the individual data page for more detailed information on those parts.

**2. STROKE:** The maximum STROKE CAPABILITY is the difference between the height corresponding to the "start of the shaded area" minus the minimum height. This entire stroke, OR ANY PORTION THEREOF, may be used. If an internal rubber bumper is required, please note that the minimum height is increased, and therefore, the total stroke is decreased.

**3. FORCE:** Read the forces directly from the static data chart, or, use the force table located under the chart. Notice that the force generally decreases as height increases. This feature is discussed in detail on page 12 in the section entitled "How to Use the Static Data Chart."

**4. SELECT THE END CLOSURES AND AIR INLET SIZE:** Most Airstroke actuators are available with permanently attached plates or bead ring attachments. If an alternate end closure option is available, it is so stated under the cross sectional view of the part. Please refer to page 6 for a detailed discussion of end closure options.

## DOWN AND UP STOPS

Positive stops in both directions (compression *and* extension) should always be used with Airstroke actuators.

1. In COMPRESSION, the minimum height shown for each air spring is at, or slightly above the PINCH POINT of the bellows. Here is a #22 shown in the collapsed or "pinch point" condition:



The bellows can be damaged if allowed to constantly bottom-out as shown above; therefore, a downstop is required to prevent this. An external downstop can be something as simple as a steel block and should be sized

at or slightly greater than the minimum height of the Airstroke. In our #22 example, the block would need to be at least 80 mm high. If an external downstop cannot be used, many parts are available with internal rubber bumpers (shown as a dotted line in the cross-sectional view of the air spring where available).

2. In EXTENSION, an upstop is required to prevent the air spring from overextending at heights into the shaded area of the graph. The reasons for this are twofold: **a)** the life of the bellows may be reduced and **b)** the crimp may open up, allowing the bellows bead to blow out of the metal end closure. There are many ways to design-in an upstop, including

- a. a chain,
- b. a cable,
- c. contacting a metal stop, etc.

## RETURN

An Airstroke actuator is a SINGLE ACTING device. To return the Airstroke to its minimum height (for another cycle or stroke), some return force must be used. Gravity acting on the load may be all that's required. The force to collapse the convoluted type Airstrokes to minimum height is given in the order block section for each part. If the load is not sufficient, then a second Airstroke or coil spring may be required.

## GUIDING

AN AIRSTROKE FOLLOWS THE PATH OF LEAST RESISTANCE; therefore, the actuator should be guided in most instances. This is often easily accomplished in the mounting geometry.

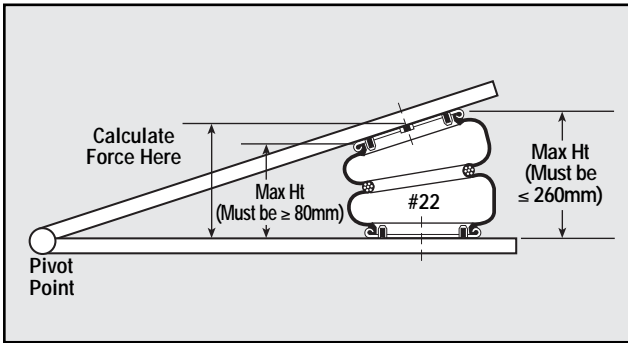
## ANGULAR CAPABILITY

An Airstroke actuator can stroke through an arc (without a clevis). Angular motion of up to 30 degrees is possible. When using an actuator with the mounting plates at an angle to each other, observe the following:

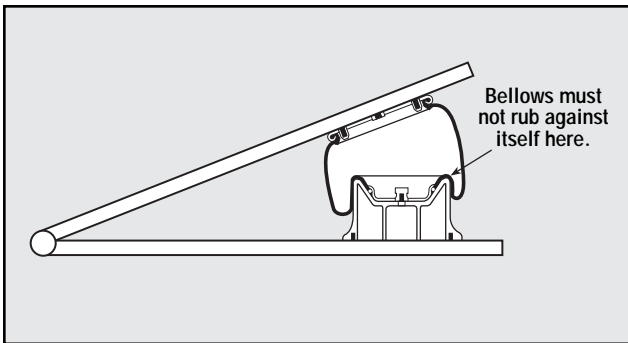
- a. Measure force at the height between the plate centers.
- b. Measure maximum height at the side separated the furthest.
- c. Measure minimum height at the side collapsed the most.

### Angular Capability continued

These measurements must fall within the guide lines for that particular part. Consider style #22 in the following pivot arrangement:



Reversible sleeve Type 1T parts may also stroke through an arc. In this case, care must be taken to prevent the bellows from rubbing (internally) against itself where it rolls over the piston:



### HORIZONTAL MISALIGNMENT

The upper and lower bead plate centers (or mounting plate centers in the case of a bead ring type attachment) may be out of line somewhat without injury to the bellows. Our "rule of thumb" for convoluted type Airstrokes is 25 mm misalignment allowed per convolution. So, a single convoluted air spring may be out of line by as much as 25 mm, a double by 50 mm, and a triple convoluted air spring by 75 mm.

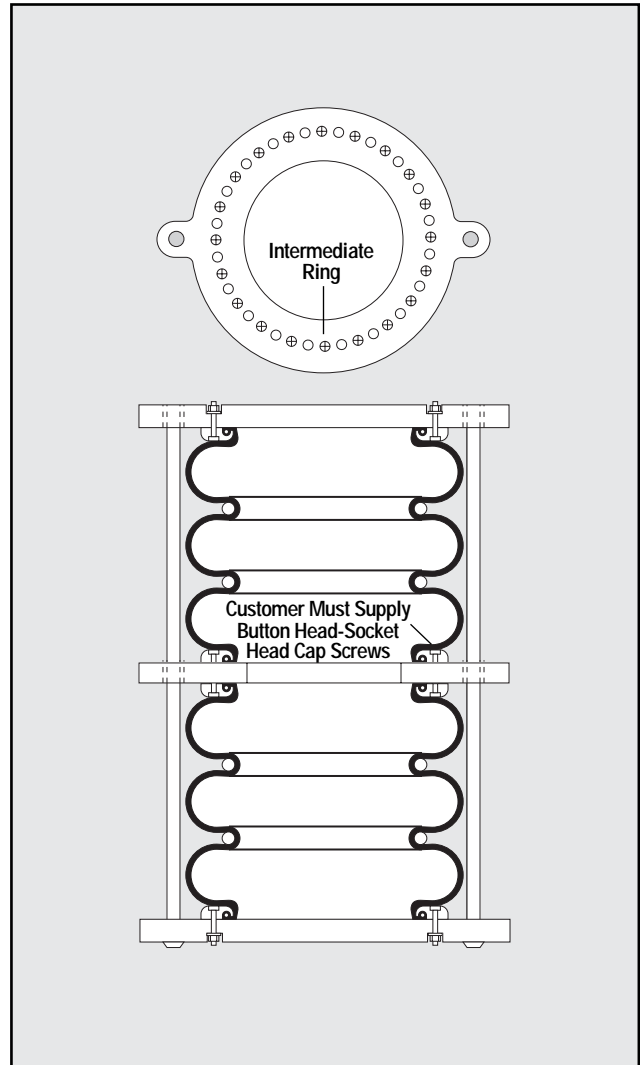
### DESIGN ENVELOPE

Adequate clearance should be provided around the Airstroke to prevent puncturing or rubbing of the bellows. The maximum diameter @ 7 bar for each Airstroke (bellows) is located just above the cross-sectional view of the air spring on the individual parts pages.

### STACKING

It is permissible to stack Airstrokes (one on top of another) to increase stroke; however, the intermediate plate (or plates) connecting the two or more Airstrokes MUST BE GUIDED.

Please note that the air spring forces are NOT additive in this configuration. A method for guiding, which also illustrates one center ring concept for mounting the two parts together at the middle, is illustrated below:



### FAIL-SAFE DEVICES

Some applications require the use of fail-safe mechanisms (such as a mechanical lock-out on a scissors lift) to prevent damage or injury in the event of an air system failure.

### VACUUM

An Airstroke can withstand a small amount of vacuum without injury to the bellows. The maximum amount of acceptable vacuum is dependent upon the bellow's size, the height in use, and whether it is a two ply or high strength (fabric) air spring. (A high strength Airstroke bellows has a "stiffer" wall than a two ply; therefore, it is less susceptible to dimpling and deformation inward). It is generally best to use only single convoluted air springs under vacuum.

**AN AIRSTROKE DESIGN PARAMETER WORKSHEET CAN BE FOUND ON PAGE 103.**

# AIRSTROKE

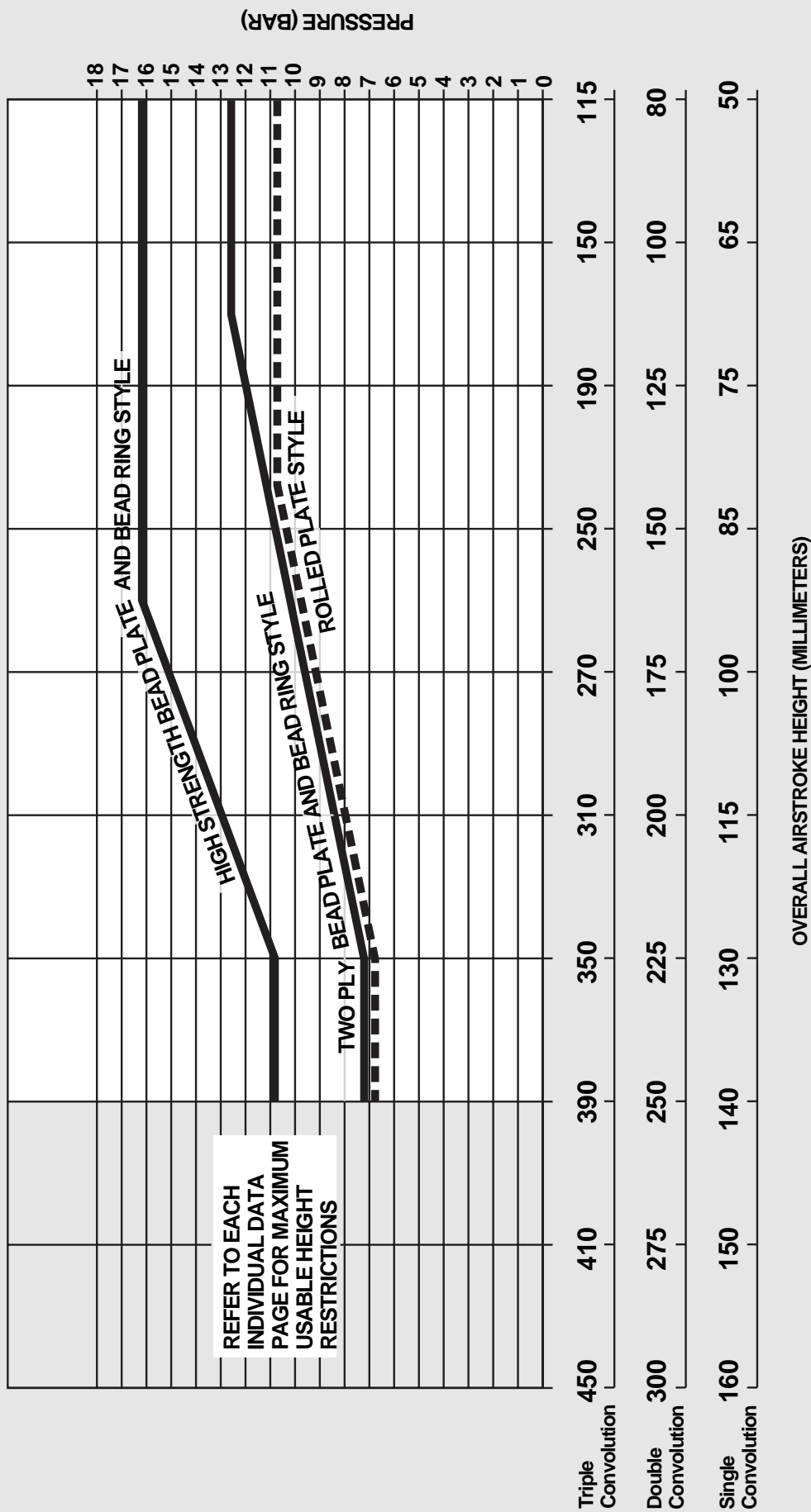
## INFLATION PRESSURE CHART

MAXIMUM RECOMMENDED INTERNAL PRESSURES FOR CONVOLUTED

TYPE AIRSTROKE™ ACTUATOR APPLICATIONS

BASED ON APPROXIMATELY 1/3 NORMAL BURST VALUES

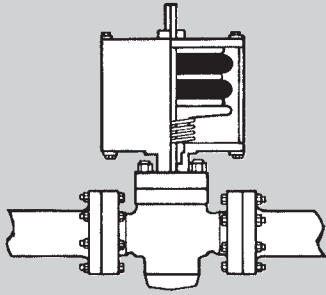
APPLICATIONS WHICH EXCEED THESE LIMITS SHOULD BE REVIEWED WITH FIRESTONE.



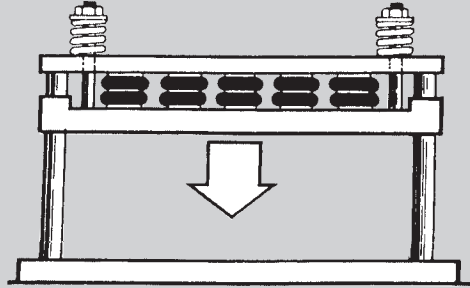


# AIRSTROKE™ ACTUATOR PROBLEM SOLVERS

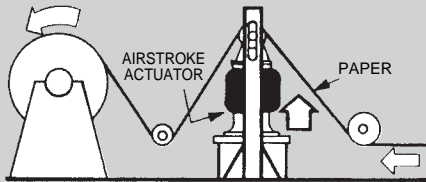
**GATE VALVE OPERATOR**



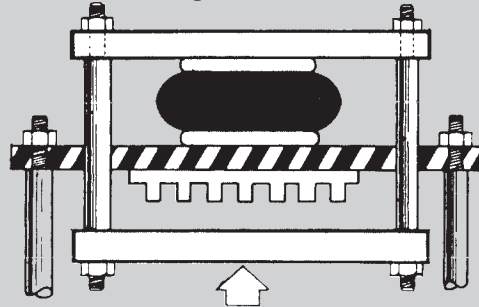
**GLUING PRESS**



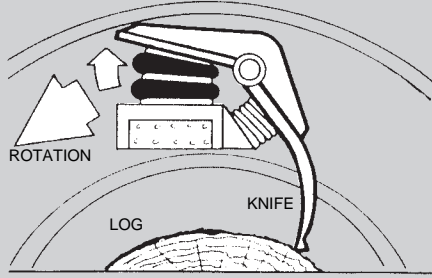
**WEB TENSIONING DEVICE**



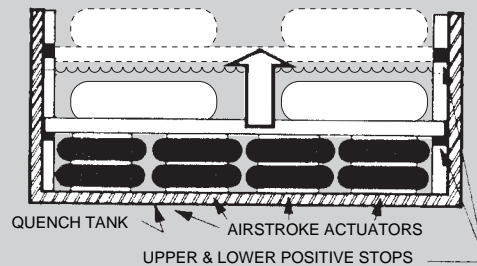
**DIE STRIPPER**



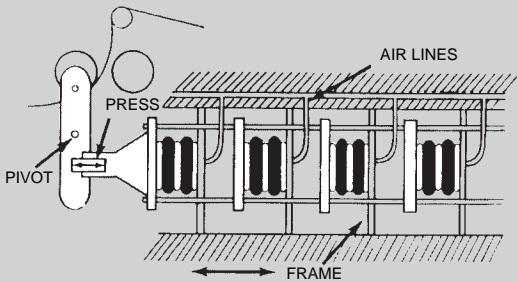
**KNIFE SPRING ACTUATOR**



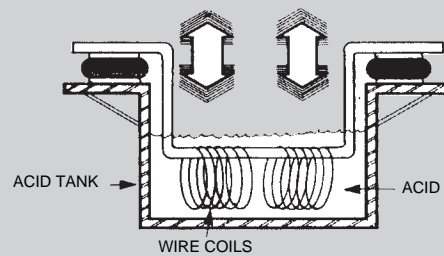
**QUENCH TANK ACTUATOR**



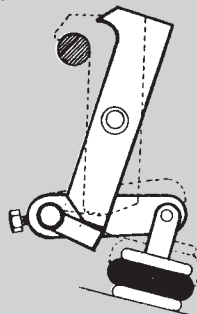
**PAPER SIZING PRESS**



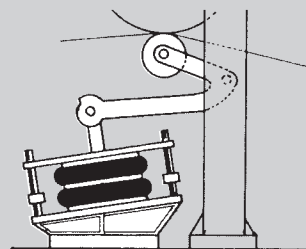
**PICKLING TANK ACTUATOR**



**QUICK LOCK DEVICE**

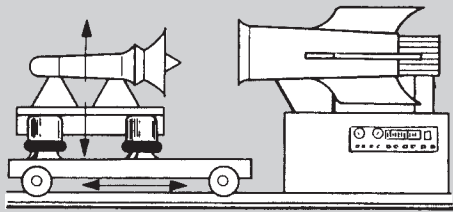


**PRESSURE ROLL FOR CALENDER**

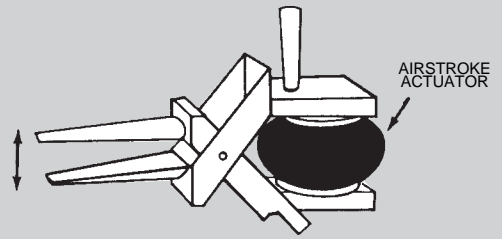


# AIRSTROKE™ ACTUATOR PROBLEM SOLVERS

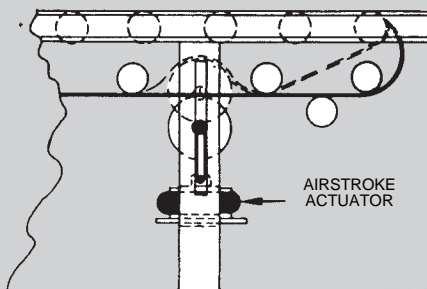
**MISSILE ASSEMBLY FIXTURE**



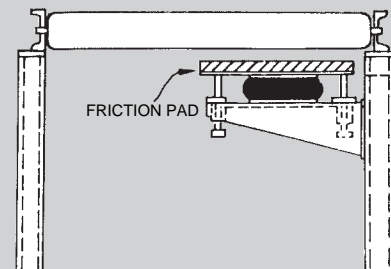
**CORE STRAIGHTENER**



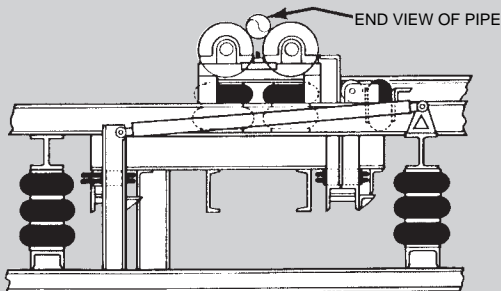
**BELT TAKE-UP**



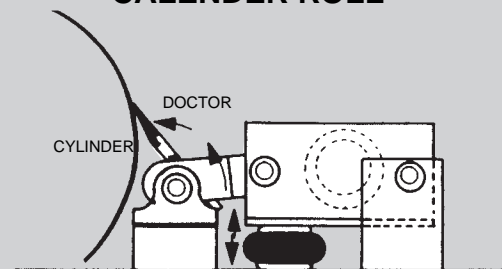
**ROLLER FRICTION BRAKE**



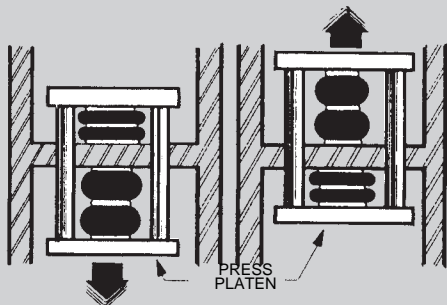
**PIPE INDEXING THREADING**



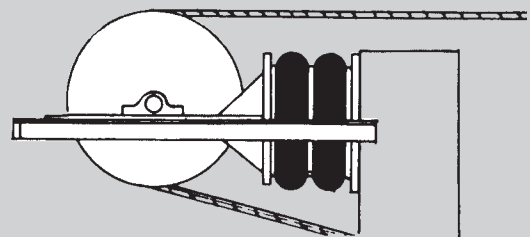
**OSCILLATING DOCTOR FOR PAPER CALENDER ROLL**



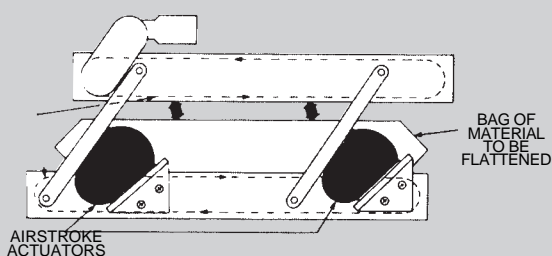
**FORMING PRESS**



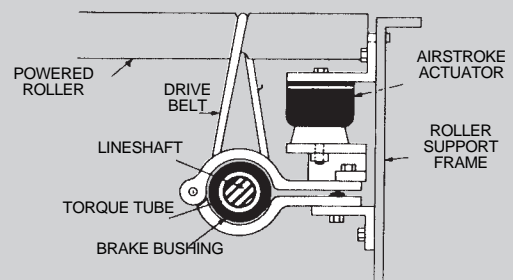
**CABLE TENSIONING DEVICE**



**BAG FLATTENER**

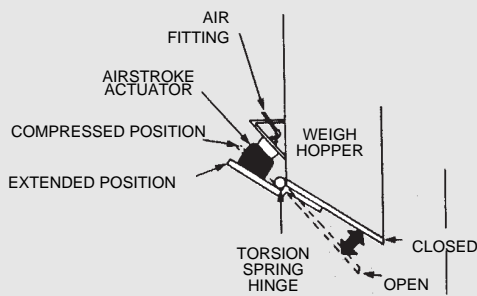


**TORSIONAL FRICTION BRAKE**

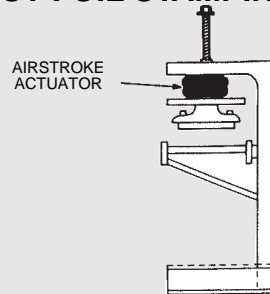


# AIRSTROKE™ ACTUATOR PROBLEM SOLVERS

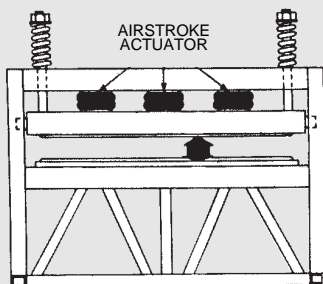
## HINGED GATE



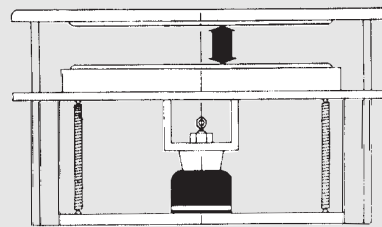
## HOT FOIL STAMPING PRESS



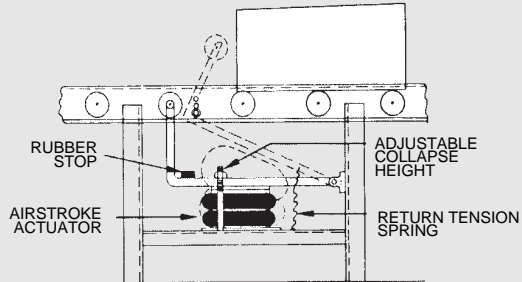
## ACTUATED HEAVY DUTY SEALER



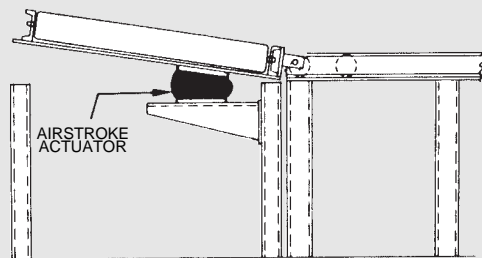
## PIVOTED CLAMPING DEVICE



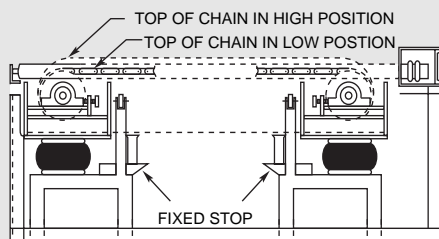
## AIRSTROKE ACTUATED ROLLER STOP



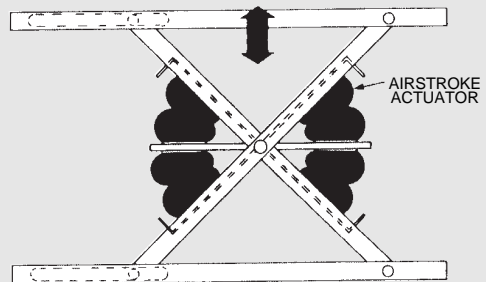
## HINGED ACTUATED GRAVITY GATE



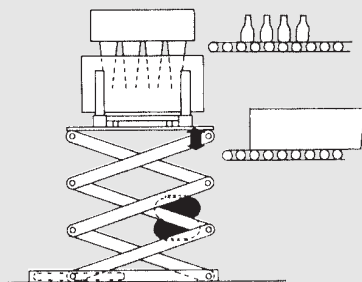
## VERTICAL ACTUATED DRIVE TABLE



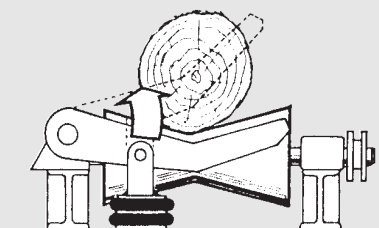
## SCISSOR LIFT



## CASE PACKER



## CONVEYOR TRANSFER ACTUATOR



# AIRMOUNT™ VIBRATION ISOLATION

## SELECTION AND ISOLATION FORMULA

Refer to the selection guide on page 33 for Airmount load and isolation capabilities. Follow this procedure:

### 1. LOAD CAPACITY

Select one or two Airmounts that can support the load at each mounting point. It is normally best to design for pressures in the 4 to 6 bar range. Consider only the 1M1A and the single and double convoluted types at first. Please notice that in the range of 1 to 285 kN you will, in most cases, find both a single and double convoluted style part which will support the load.

### 2. DETERMINE ISOLATION EFFECTIVENESS

Select the disturbing frequency that is closest to the actual forced frequency 7, 13, or 25 Hz. Then check the percentage of isolation for the parts that were selected in 1 above.

### 3. DETERMINE DESIGN HEIGHT

THE AIR SPRING SHOULD BE USED AT THE DESIGN HEIGHT GIVEN. The double convoluted part is used at a design height somewhat higher than its single convolution equivalent. Make sure that the design height falls within the height restrictions. Also, the double convoluted part will show a higher percentage of isolation (less transmitted vibration) than the single convoluted air spring. The reason for this is that the double convoluted part has a greater internal volume of air than the single convoluted version of the same size. At disturbing frequencies in the 7 to 13 Hz range, the double convoluted part is a significantly better vibration isolator than the single convoluted part. At disturbing frequencies of 13 to 25 Hz, the gap closes considerably. At frequencies of 25 Hz and above, the difference is negligible.

### 4. DETERMINE EXACT INTERNAL PRESSURE AND ISOLATION EFFECTIVENESS

The chances are that your specific vibration problem does not fall neatly into the load and disturbing frequency criteria as presented in the selection guide.

Therefore, once a preliminary part selection has been made, turn to the individual data page for that part in order to determine the specific internal pressure required and the percentage of isolation attainable.

## CONSIDER THIS EXAMPLE:

Isolate a vibrating screen which weighs a total of 6000 kg, preferably with ONE isolator at each corner. The vibrating mechanism is rotating at a speed of 14.2 Hz with a total stroke of 8 mm.

a. Determine the Load at Each Mounting Point:

$$\frac{6000}{4} = 1500 \text{ kg or } 14.7 \text{ kN force}$$

Scan down the 5 bar load column in the selection guide. It appears that either a #19 or a #22 will support the load at a pressure between 4 and 5 bar.

b. Determine Isolation Effectiveness.

Read the % of Isolation at 13 Hz for the #19 and #22 (since 13 Hz is closest to our machine speed of 14.2 Hz). A #19 is at 96.0% and a #22 is at 98.2%. Looking at isolation effectiveness in terms of % TRANSMISSION, the #19 will transmit 100 – 96.0, or 4.0% of the vibrations. A #22 will transmit 100 – 98.2, or 1.8% of the vibrations. So, even though there does not seem to be much difference between 96.0% and 98.2% isolation, the #22 is in fact a better isolator by approximately a factor of two when comparing transmitted vibration.

c. Determine Design Height.

Let's say we have chosen the #22 because 96.0% isolation for a #19 is considered to be too low. A #22 SHOULD BE USED AT 240 mm as shown in the second column on page 33.

d. Determine Exact Internal Pressure and Isolation Percentage.

Turn to page 61 for detailed information on the #22.

a) What exact pressure will be required to support the load of 15 kN? Refer to the information in the block entitled "Dynamic Characteristics at 240 mm Design Height."

$$\frac{16.6 \text{ kN} \times (100)}{5 \text{ bar}} = 331 \text{ cm}^2 = \text{effective area @ 240 mm @ 5 bar}$$

Divide the actual load by the effective area:

$$\frac{14.7 \text{ kN} \times (100)}{331 \text{ cm}^2} = 4.5 \text{ bar required to support } 14.7 \text{ kN at 240 mm}$$

# AIRMOUNT™ VIBRATION ISOLATION

b) What exact isolation will be attained?

Use the formula:

$$\% \text{ Transmission} = \frac{100}{\left(\frac{f_f}{f_n}\right)^2 - 1}$$

Where:  $f_f$  = Forced Frequency (Hz)  
 $f_n$  = Natural Frequency (Hz)

The forced frequency is 14.2 Hz. Read the natural frequency from the line at the load and pressure closest to the actual situation, or 1.80 (@ 5 bar and 16.56 kN): Design Ht. 240 mm

$$\% \text{ Transmission} = \frac{100}{\left(\frac{14.2}{1.80}\right)^2 - 1}$$

% Transmission = 1.63%  
 % Isolation = 100 – % Transmission  
 % Isolation = 100 – 1.63  
 % Isolation = 98.4%

Notice that the natural frequency of an Airmount changes only slightly with variations in pressure and load. Therefore, when working at pressures other than 4, 5, 6, or 7 bar, % isolation can be calculated quite accurately using the “closest” natural frequency and the formula above.

## DYNAMIC SPRING RATE FORMULA

Spring rate is a different matter. Unlike most conventional springs, the rate of an Airmount is not constant. It is a function of the change in effective area, volume, and pressure from design height. To determine the rate of an Airmount, use the following formula:

$$K = \frac{[(P_g + 1.01) \times 100] \left[ \frac{A_c}{10,000} \left(\frac{V_1}{V_c}\right)^{1.38} - \frac{A_e}{10,000} \left(\frac{V_1}{V_e}\right)^{1.38} \right] - \left[ 101 \times \left(\frac{A_c - A_e}{10,000}\right) \right]}{.02 \text{ m}}$$

WHERE:

K = Vertical Spring Rate in kN/m  
 $P_g$  = Gauge Pressure at design height (bar)  
 $A_c$  = Effective Area at 10mm below design height (cm<sup>2</sup>)  
 $A_e$  = Effective Area at 10mm above design height (cm<sup>2</sup>)  
 $V_1$  = Internal Volume at design height (cm<sup>3</sup>)  
 $V_c$  = Internal Volume at 10mm below design height (cm<sup>3</sup>)  
 $V_e$  = Internal Volume at 10mm above design height (cm<sup>3</sup>)

Consider the same #22 example: What is the vertical spring rate with a load of 15kN at a design height of 240 mm? Refer to the static data chart on page 61. Again, our “closest” pressure is 5 bar, so we’ll need to read the appropriate data from the 5 bar curve.

The 5 bar information at +10 mm above design height would fall at the 250 mm height line, and –10 mm below design height would fall at the 230 mm height line. (In this example, we can read loads from the force table). The information at design height is located in the “Dynamic Characteristics Block.” So,

K = Unknown

$P_g$  = 4.5 bar

$$A_c = \frac{(\text{Load}) \text{ kN} \times (100)}{\text{Pressure (bar)}} = \frac{16.05 \text{ kN} \times (100)}{4.5} = 357 \text{ cm}^2$$

$$A_e = \frac{(\text{Load}) \text{ kN} \times (100)}{\text{Pressure (bar)}} = \frac{13.55 \text{ kN} \times (100)}{4.5} = 301 \text{ cm}^2$$

$V_1$  = 12,800 cm<sup>3</sup>

$V_c$  = 12,400 cm<sup>3</sup>

$V_e$  = 13,100 cm<sup>3</sup>

$$K = \frac{[(4.5 + 1.01) \times 100] \left[ \frac{A_c}{10,000} \left(\frac{V_1}{V_c}\right)^{1.38} - \frac{A_e}{10,000} \left(\frac{V_1}{V_e}\right)^{1.38} \right] - \left[ 101 \times \left(\frac{A_c - A_e}{10,000}\right) \right]}{.02 \text{ m}}$$

$$K = \frac{[(4.5 + 1.01) \times 100] \left[ \frac{357}{10,000} \left(\frac{12,800}{12,400}\right)^{1.38} - \frac{301}{10,000} \left(\frac{12,800}{13,100}\right)^{1.38} \right] - \left[ 101 \times \left(\frac{357 - 301}{10,000}\right) \right]}{.02 \text{ m}}$$

K = 195 kN/m

## NATURAL FREQUENCY FORMULA

Once the spring rate is determined, calculate the Airmount natural frequency (for an UNDAMPED system) as follows:

$$f_n = .50 \sqrt{\frac{K}{L}}$$

Where:

$f_n$  = Natural Frequency in Hz

K = Rate (kN/m)

L = Load (kN)

in our example:

$$f_n = .50 \sqrt{\frac{195}{15}}$$

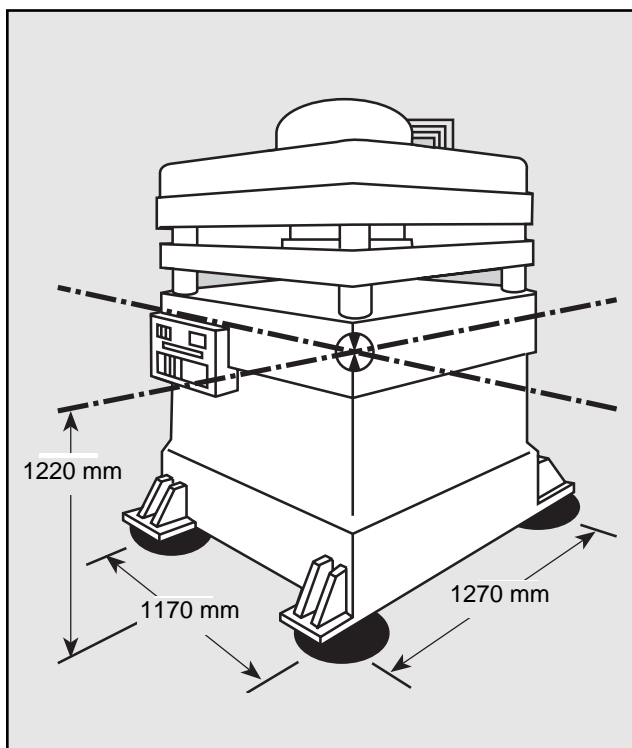
$f_n$  = 1.80 Hz

# AIRMOUNT™ VIBRATION ISOLATION

Up to this point, only the weight and disturbing frequency have been discussed. THERE ARE MANY OTHER IMPORTANT CONSIDERATIONS:

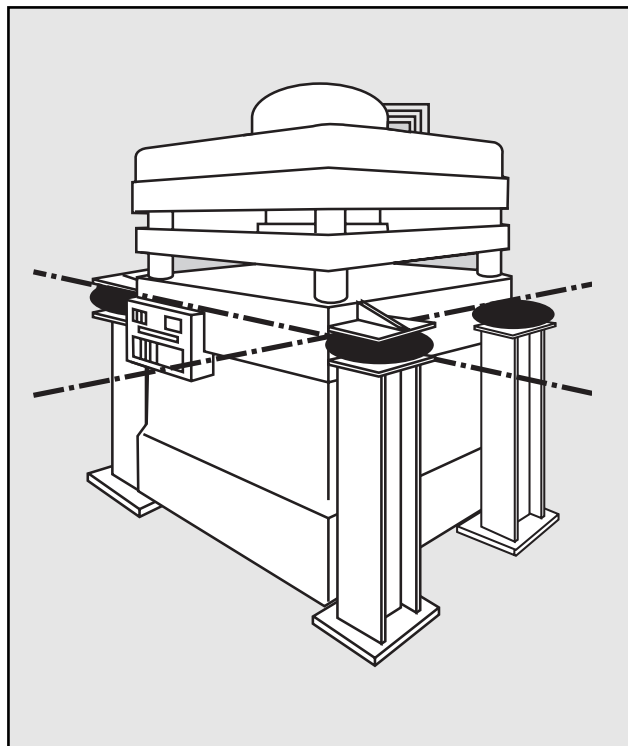
## CENTER OF GRAVITY

An Airmount isolation system is inherently soft (easily deflected); therefore, precautions must be taken to insure that the system is stable. First, consider the location of the center of gravity (c.g.). Ideally, the Airmounts should be located on the same plane (parallel to the ground) as the center of gravity. Where this is not possible, follow this guideline: The distance between the most narrow mounting points should be at least twice the height of the center of gravity.



In the above example, the most narrow distance between two Airmounts is 1170 mm. The height to the c.g. is 1220 mm; therefore, this system does not meet our guideline. Two possible solutions would be:

1. Increase the base dimensions to meet our guideline by increasing both the width and length to at least 1220 x 2 or 2440 mm.
2. Locate the Airmounts at the c.g. as shown above (in the next column).



## LATERAL RATES AND STABILITY

A single or double convoluted air spring **SHOULD BE USED AT THE DESIGN HEIGHT GIVEN**, because that is the point of maximum lateral rate or stability. The lateral rate **DECREASES** as the Airmount height **DECREASES**. Consider a #22 again at 6 bar:

| Height                 | Lateral Rate | Vertical Rate |
|------------------------|--------------|---------------|
| 240 mm (design height) | 51.0 kN/m    | 215.0 kN/m    |
| 215 mm                 | 33.0 kN/m    | 140.0 kN/m    |
| 190 mm                 | Unstable     | —             |

Notice that the #22 becomes unstable in the horizontal or lateral direction when moving down only 50 mm from design height.

# AIRMOUNT™ VIBRATION ISOLATION

At design height and without an auxiliary reservoir, the single and double convoluted parts follow this pattern: i.e., the lateral rate varies from 1/5 to 1/2 of the vertical rate (only the larger high strength parts get as high as 1/2). Notice the #22 is approximately  $1/4(\frac{51}{215})$ . Going back to the original example of a vibrating screen which weighs 6000 kg mounted on four #22's (@ 240 mm), a side load of 2.04 kN ( $\frac{51.0 \times 4}{100}$ ) would deflect the entire suspended mass by 10 mm.

## TRIPLE CONVOLUTED AND REVERSIBLE SLEEVE TYPE PARTS

Both of these types are unstable laterally (except for the 1M1A). Due to low natural frequencies, both can be excellent isolators; however, do not use these two types as Airmount isolators without consulting Firestone.

## DESIGN ENVELOPE

Adequate clearance should be provided around the Airmount to prevent puncturing or rubbing of the bellows. The maximum diameter @ 7 bar for each Airmount (bellows) is shown just above the cross sectional view of the air spring.

## SAFETY STOPS

It is normally recommended that positive stops be installed IN ALL DIRECTIONS; i.e., into compression, extension, and laterally. Positioning of the vertical stops depends upon the amplitude of movement, both during normal operation and during startup and shutdown. A good "rule of thumb" is  $\pm 15$  mm from design height for vertical stops and also  $\pm 15$  mm (horizontally) for lateral stops.

## INITIAL INSTALLATION

NEVER use Airmounts to lift the equipment into place, due to the lateral instability at lower air spring heights as discussed previously. The equipment should be rested on stops set slightly below design height and raised into position for isolation.

## STARTUP AND SHUTDOWN RESONANCE AND AMPLIFICATION

Resonance is the condition where the forced frequency of the vibrating system is at the natural frequency of the suspension. When this happens, AMPLIFICATION of movement occurs. Going back to our vibrating screen example again, if the normal stroke is 8 mm, during startup and shutdown (as the machine goes through resonance), the amplitude of movement will be multiplied somewhat. So, while the machine is building up to speed and slowing down, the stroke may be amplified in the range of 10 to 35 mm if undamped. The longer the machine takes to go through resonance (to build up to, or slow down from full operating speed), the larger the amplitude of movement.

## ISOLATING AN UNBALANCED MASS

The primary concern in this case is the amplitude of movement. It is dependent on:

- 1) The ratio of the unbalanced moving mass to the total suspended mass and,
- 2) The ratio of the speed of the unbalanced moving mass (forced frequency) to the natural frequency of the Airmounts.

**The addition of damping to the isolation system (shock absorbers) will reduce the large amplitude of movement experienced during resonance.**

If the amplitude of movement is too great, one possible solution would be to add an inertia base in order to increase the ratio of the total suspended mass to the moving unbalanced mass. A good "rule of thumb" is 10:1, respectively.

## LOW PRESSURE OPERATION

The lateral rate of a single and double convoluted style Airmount DECREASES with decreasing internal air pressure (becomes less stable). Consult Firestone if you plan on operating an Airmount at less than 3 bar.

## EFFECT OF AN AUXILIARY RESERVOIR

There is a direct relationship between natural frequency and isolation effectiveness. Generally, the lower the natural frequency, the better the isolator (or higher percentage of isolation). As previously mentioned, a double convoluted Airmount has a lower natural frequency than a single convoluted type (of the same size) because it has more internal air volume. We can use this principle to lower the natural frequency of an air spring by adding an auxiliary reservoir (pressure vessel) externally to the Airmount. This effectively increases the air spring volume and reduces its natural frequency.

In order for the reservoir to work properly, there must be a free flow of air between the Airmount and reservoir. Therefore, it should be mounted as close as possible to the Airmount. Additionally, a bead ring attachment is the best end closure choice as the hole in the upper mounting plate can be sized as large as the inside diameter of the bellows (at the top). A 3/4 BSP air inlet will restrict the flow of air somewhat, but can be used as long as it is understood that there is some throttling effect.

Going back to the #22 example, an auxiliary reservoir of three times the internal volume of the air spring at design height (approximately 38 liters) will reduce the natural frequency from 1.8 Hz to 1.5 Hz.

# AIRMOUNT™ VIBRATION ISOLATION

## DAMPING

$$\frac{C}{C_c}$$

Damping is defined as the ratio:

WHERE: C = System Damping  
C<sub>c</sub> = Critical Damping

The damping ratio inherent in an Airmount is in the order of .03. This damping number is so small that the formulas presented in this section assume it to be zero.

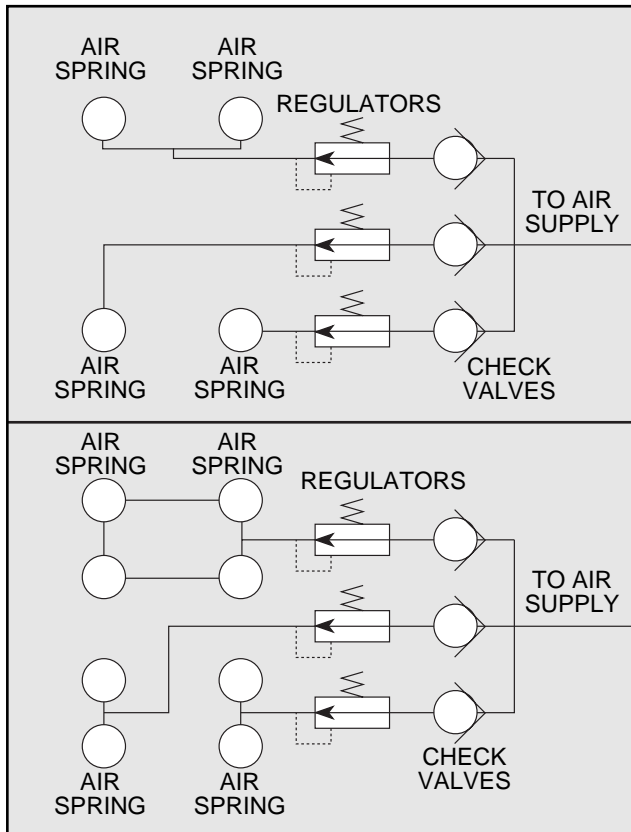
## PLUMBING SYSTEMS

There are three basic ways of controlling an air suspended isolation system:

1. With a TANK VALVE in each Airmount. Each air spring is then inflated individually. The pressure in each must be checked periodically, because air will permeate through the bellows.

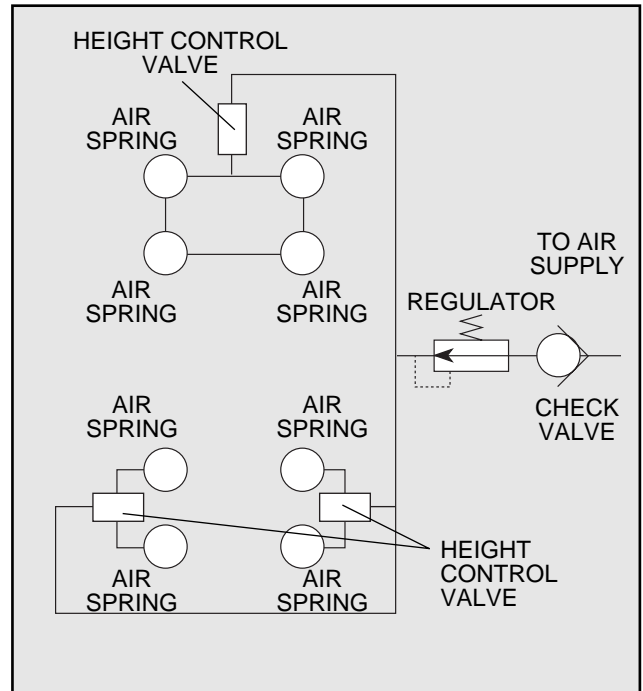
For an idea of the permeation rate, a #116 will lose approximately 2 bar over a period of one year (from 7 bar to 5 bar). Please see page 7 for a picture of a 1/4 BSP tank valve.

2. **Three Point Regulated System** The Airmounts can be connected directly to the factory compressed air



system using pressure regulating valves. This eliminates the need for periodic inspections. The air springs should always be connected in clusters so the mass is supported with only THREE REGULATORS. This is illustrated below (in the previous column) for both a four and eight Airmount system:

3. **Three Point Levelled System** Height control can be provided by adding height control valves to the system. Again, there should be only THREE POINTS OF CONTROL, or in this case, three height control valves. Attempting to use more than three control points often results in the valves hunting or fighting one another. There are sensing systems available to control heights within .03 mm. Truck type leveling valves can provide accuracy to 1.6 mm. A three point, eight air spring, levelled system is illustrated below:



Firestone supplies height control valves and the accompanying linkages from the valve to the supported system.

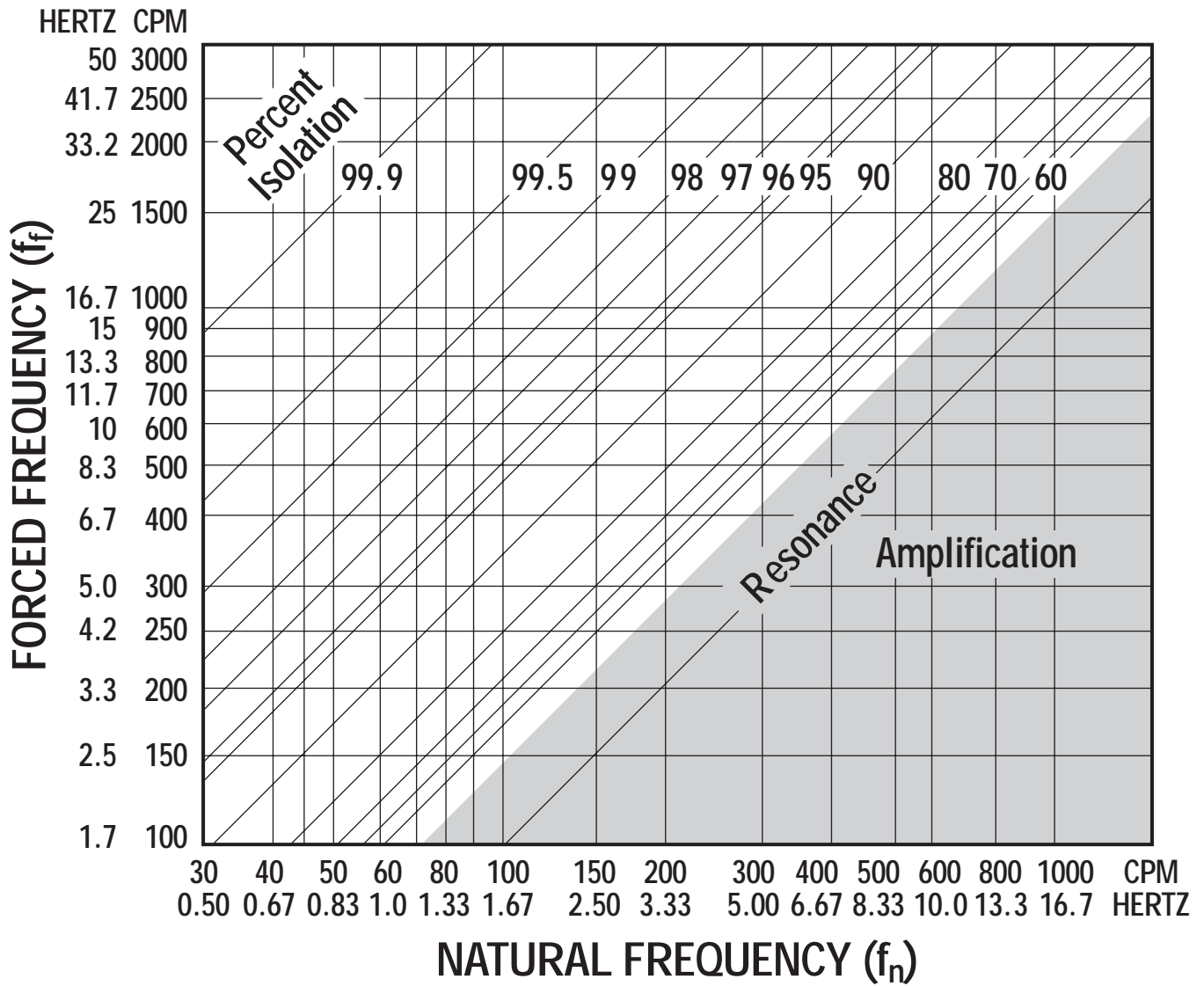
| Description                      | Order No.    |
|----------------------------------|--------------|
| Immediate Response Valve         | WC1-358-3597 |
| Immediate Response Valve Linkage | WC1-358-3594 |
| Time Delay Valve                 | WC1-358-3599 |
| Time Delay Valve Linkage         | WC1-358-3598 |

**An Airmount Design Parameter Worksheet can be found on page 105.**



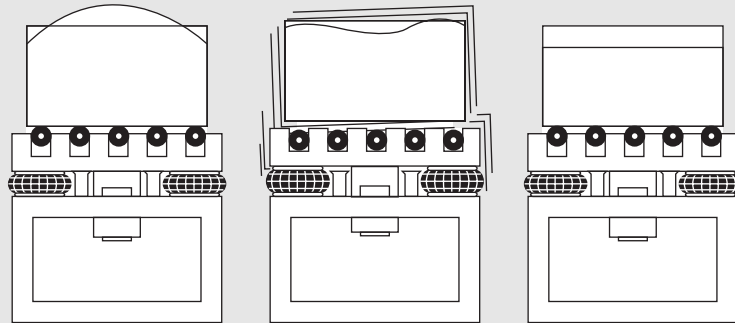
# AIRMOUNT™ VIBRATION ISOLATION

## ISOLATION CHART

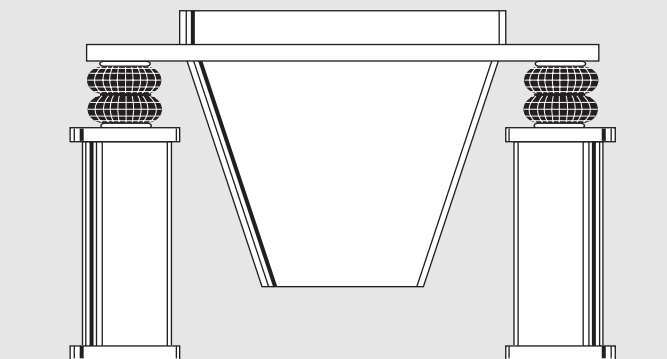


# AIRMOUNT™ ISOLATION PROBLEM SOLVERS

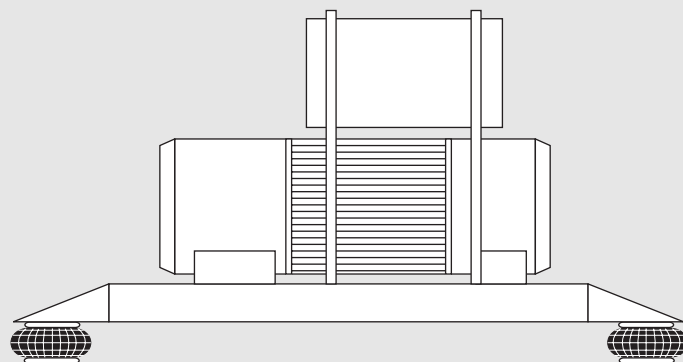
## VIBRATING PACKER



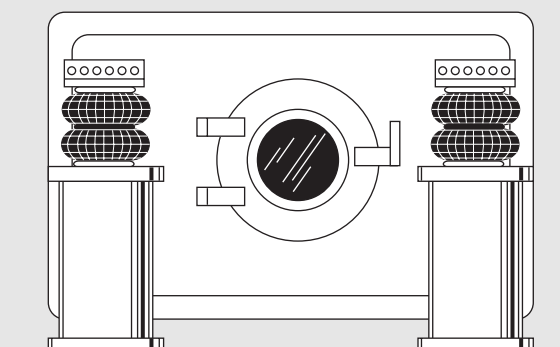
## BIN HOPPER



## COMPRESSOR

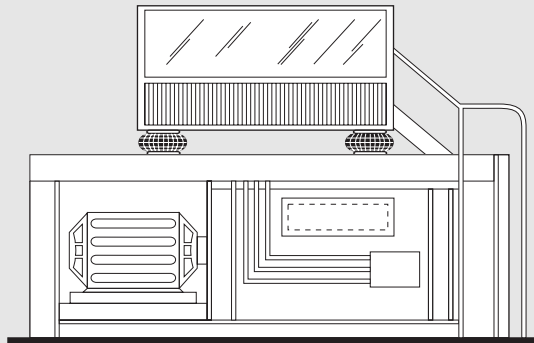


## COMMERCIAL LAUNDRY MACHINE

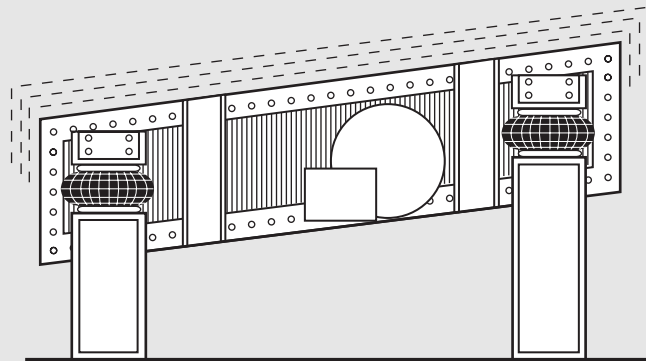


# AIRMOUNT™ ISOLATION PROBLEM SOLVERS

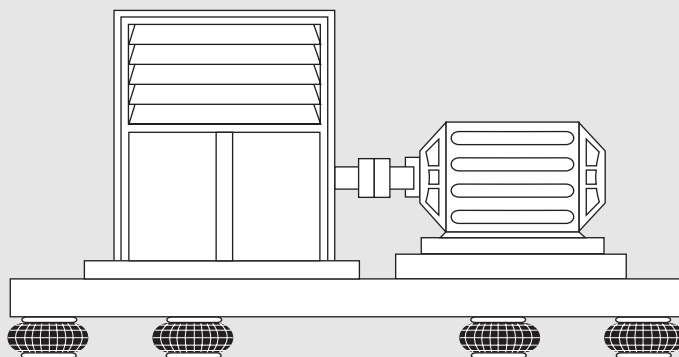
**CONTROL BOOTH**



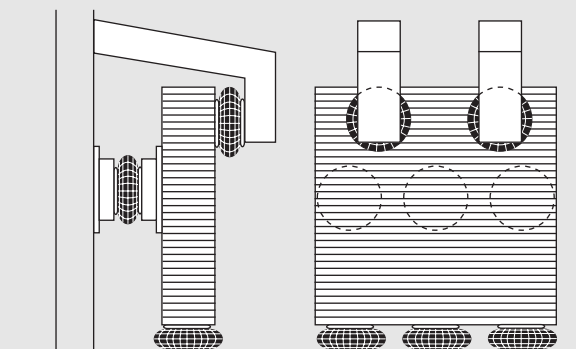
**VIBRATING SCREEN**



**BLOWER AND MOTOR**



**CONTROL PANEL**

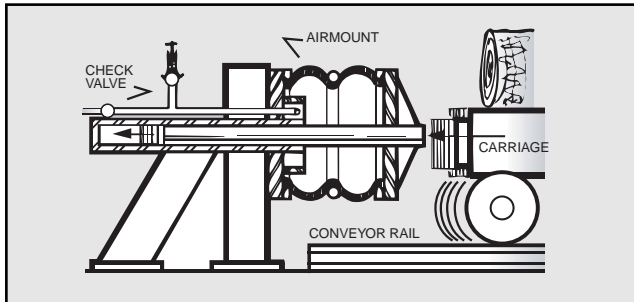


# MISCELLANEOUS APPLICATIONS

The air spring provides a unique solution for many actuation and isolation applications the world over. Besides the common applications, there are many that are not readily recognized because of the air spring's unique construction. Listed below are some miscellaneous applications.

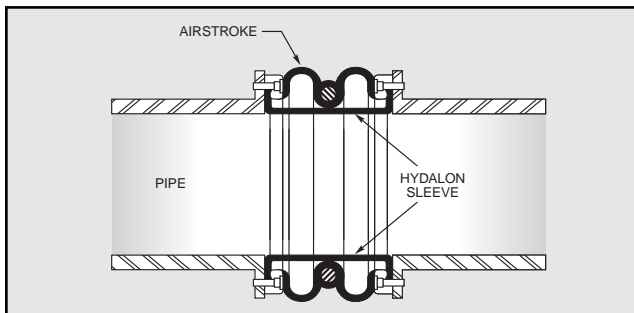
## SHOCK IMPACT ISOLATION:

The air spring is frequently used in shock impact isolation applications. This air spring application is commonly found in saw mills as the means to both absorb the shock of a falling log, and then by actuating the air spring, to lift and transfer a log onto a conveyor. Because of the properties of both air and rubber, the air spring is an ideal solution to this problem. Without it, the mechanism and surrounding structure would suffer fatigue and fail prematurely due to the intensity of the shock from the falling log. Refer to the problem solver section on the following pages for miscellaneous applications.



## PROTECTIVE BOOT AND FLEXIBLE CONNECTOR

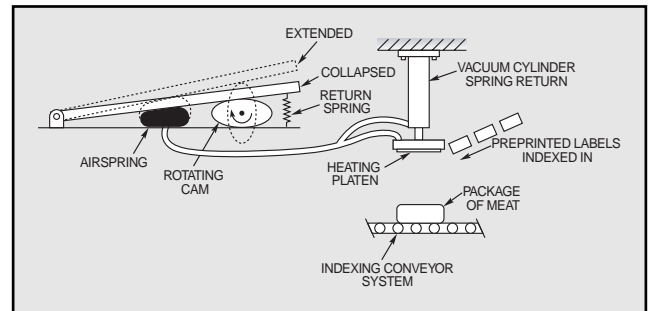
An air spring bellows, with a bead ring type attachment, can be used as a protective boot or flexible connector. Due to the flexible construction of the air spring and the ability to handle both misalignment and angular movement, the air spring is a suitable solution to this problem. To protect the inner surface from the flow of material, an inner sleeve may be required. Refer to the problem solver section on the following pages for miscellaneous applications.



*For more information, call your local stocking distributor or the Firestone applications engineer at the phone number on the back cover of this design guide.*

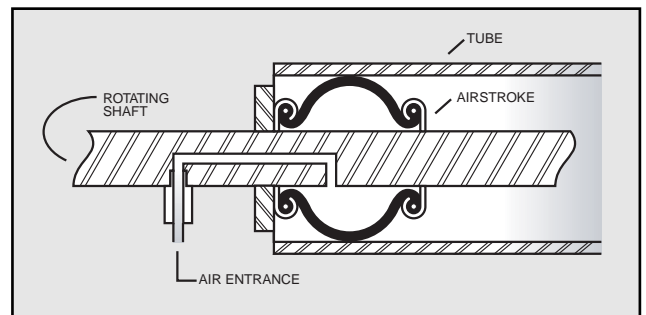
## VACUUM PUMP

It is possible to drive an air spring mechanically in order to create a vacuum. The air spring can withstand a small amount of acceptable vacuum without injury to the bellows. The maximum amount of tolerable vacuum is dependent upon the bellows' size, height and whether it is a 2 or 4 ply air spring. It is generally best to use only the single convoluted air spring for this purpose. Refer to the problem solver section on the following pages for miscellaneous applications.



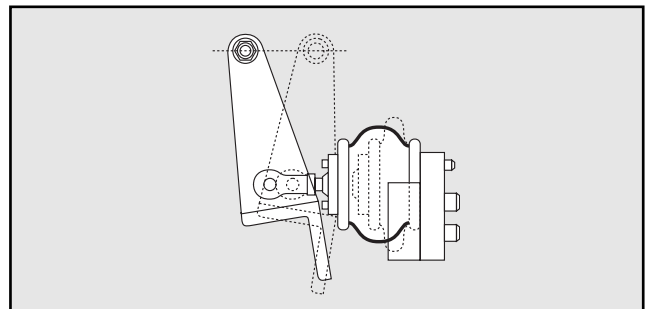
## INFLATABLE CHUCK

By restricting the height internally of a bead ring style air spring, the rubber walls will extend in an outward fashion. In this arrangement the air spring can be used as an inflatable chuck. The air will need to be introduced via the same mechanism that restrains the air spring's height. Refer to the problem solver section on the following pages for miscellaneous applications.



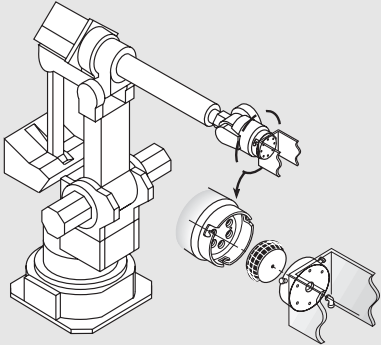
## CAM FOLLOWER

The introduction of an air spring as the cam follower can extend the life of the cam greatly. Surface wear is reduced by removing the rigidity and friction of typical cam followers. With this reduction of wear comes continually smooth operations and overall minimization of fatigue. Refer to the problem solver section on the following pages for miscellaneous applications.

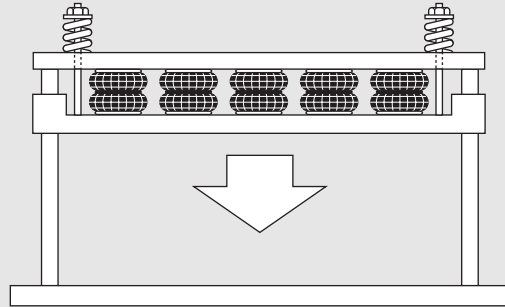


# MISCELLANEOUS PROBLEM SOLVERS

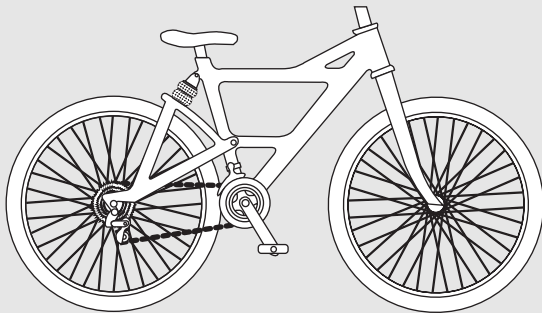
**ROBOTIC COUPLING**



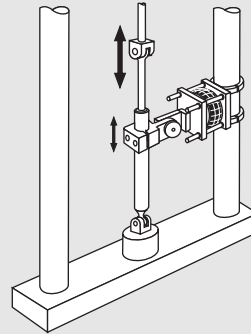
**CONVEYOR END STOP**



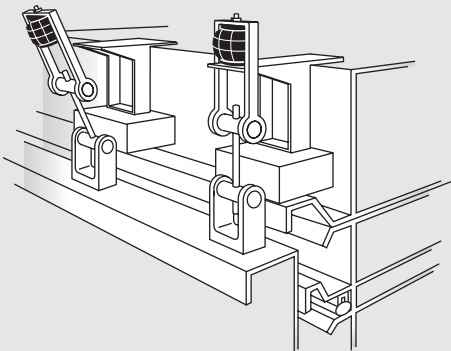
**MOUNTAIN/TRAIL BIKE**



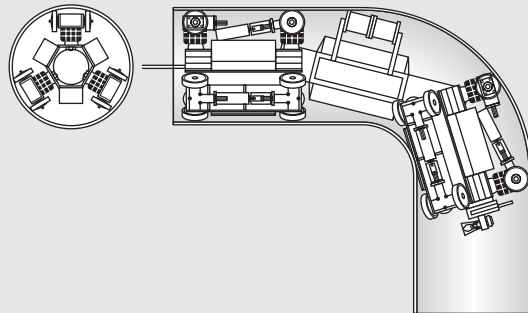
**SHOCK ABSORBER TEST SYSTEM**



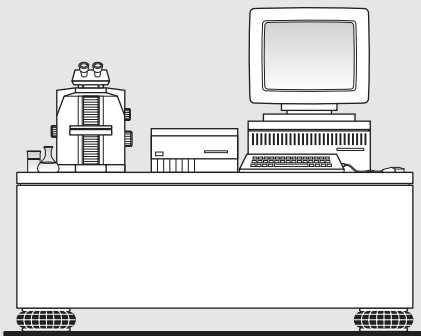
**SCREENING MACHINE COVER CLAMP**



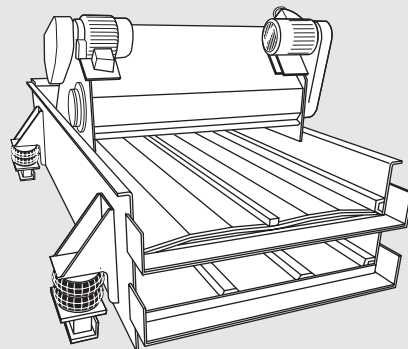
**PIPE CRAWLER**



**DELICATE ELECTRONIC EQUIPMENT**

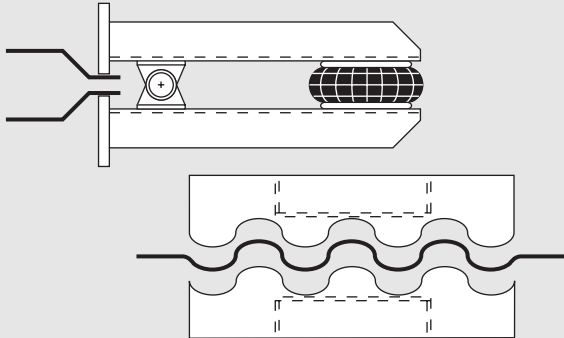


**VIBRATING SCREEN**

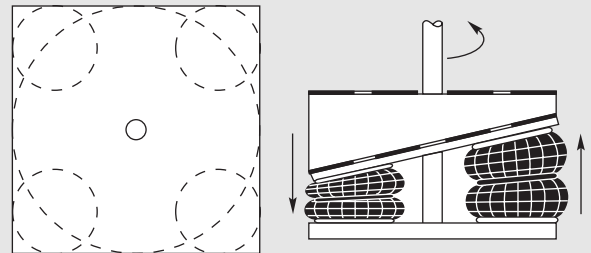


# MISCELLANEOUS PROBLEM SOLVERS

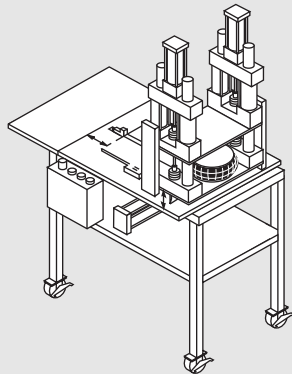
**SHEET WELDING CLAMP**



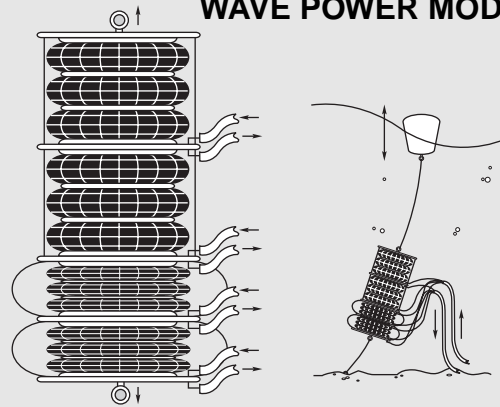
**SWASH PLATE MOTOR**



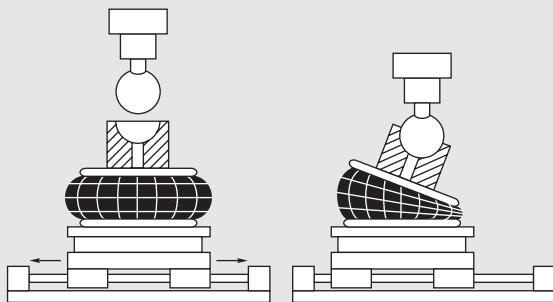
**PERFECT BOUND MAGAZINE CUTTER**



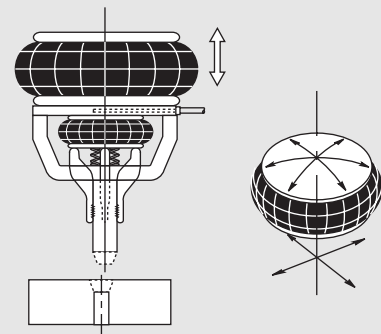
**WAVE POWER MODULE**



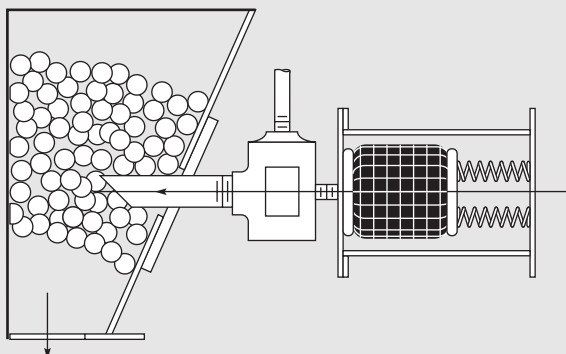
**CHECK VALVE LAPPING**



**SELF ALIGNING DEVICE**



**AIR BLAST GENERATOR**



**SOLAR TRACKER**

