

## Injecto-Flo II Single Line Pumps with No Control

313839E  
EN

- For feeding volumetric dosing meters in a single-line system -

- Not for use in hazardous locations -

### Part No.: See page 2

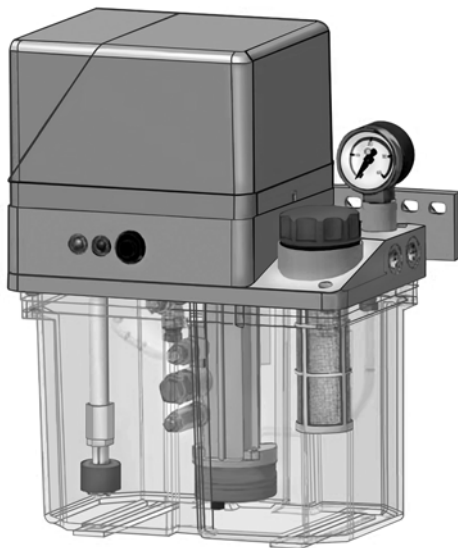
*OIL: 435 psi (3.0 MPa, 30 bar) Maximum Working Pressure*

*GREASE: 580 psi (4.0 MPa, 40 bar) Maximum Working Pressure*

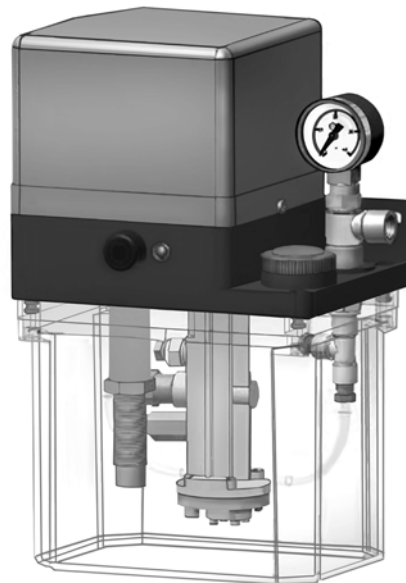


### Important Safety Instructions

Read all warnings and instructions in this manual. Save these instructions.



**Oil Model**



**Grease Model**

# Models

## Oil Systems

Model	CE	Reservoir Gal (liters)	Flow GPM (lpm)	Level Switch	Refill System
122545	✓	0.8 (3.0)	0.05 (0.2)	None	Screw Cap
122546	✓	0.8 (3.0)	0.05 (0.2)	None	Straight Connector (Ø 10 pipe)
122547	✓	0.8 (3.0)	0.13 (0.5)	None	Screw Cap
122548	✓	0.8 (3.0)	0.13 (0.5)	None	Straight Connector (Ø 10 pipe)
122549	✓	0.8 (3.0)	0.05 (0.2)	Single w/DIN	Screw Cap
122550	✓	0.8 (3.0)	0.05 (0.2)	Single w/DIN	Straight Connector (Ø 10 pipe)
122551	✓	0.8 (3.0)	0.13 (0.5)	Single w/DIN	Screw Cap
122552	✓	0.8 (3.0)	0.13 (0.5)	Single w/DIN	Straight Connector (Ø 10 pipe)
122553	✓	0.8 (3.0)	0.05 (0.2)	Single w/M12 Top	Screw Cap
15U859		0.8 (3.0)	0.05 (0.2)	Single w/M12 Top	Straight Connector (Ø 10 pipe)
122554	✓	0.8 (3.0)	0.13 (0.5)	Single w/M12 Top	Screw Cap
122555	✓	0.8 (3.0)	0.13 (0.5)	Single w/M12 Top	Straight Connector (Ø 10 pipe)
122556	✓	0.8 (3.0)	0.05 (0.2)	Dual w/DIN	Screw Cap
122557	✓	0.8 (3.0)	0.05 (0.2)	Dual w/DIN	Straight Connector (Ø 10 pipe)
122558	✓	0.8 (3.0)	0.13 (0.5)	Dual w/DIN	Screw Cap
122559	✓	0.8 (3.0)	0.13 (0.5)	Dual w/DIN	Straight Connector (Ø 10 pipe)
122560	✓	0.8 (3.0)	0.05 (0.2)	Dual w/M12 Top	Screw Cap
122561	✓	0.8 (3.0)	0.05 (0.2)	Dual w/M12 Top	Straight Connector (Ø 10 pipe)
122562	✓	0.8 (3.0)	0.13 (0.5)	Dual w/M12 Top	Screw Cap
122840	✓	0.8 (3.0)	0.13 (0.5)	Dual w/M12 Top	Straight Connector (Ø 10 pipe)
122563	✓	1.6 (6.0)	0.05 (0.2)	None	Screw Cap
122564	✓	1.6 (6.0)	0.05 (0.2)	None	Straight Connector (Ø 10 pipe)
122565	✓	1.6 (6.0)	0.13 (0.5)	None	Screw Cap
122566	✓	1.6 (6.0)	0.13 (0.5)	None	Straight Connector (Ø 10 pipe)
122567	✓	1.6 (6.0)	0.05 (0.2)	Single w/DIN	Screw Cap
122568	✓	1.6 (6.0)	0.05 (0.2)	Single w/DIN	Straight Connector (Ø 10 pipe)
564138		1.6 (6.0)	0.05 (0.2)	Single w/DIN	Screw Cap
122569	✓	1.6 (6.0)	0.05 (0.2)	Single w/DIN	Straight Connector (Ø 10 pipe)
122570	✓	1.6 (6.0)	0.05 (0.2)	Single w/M12 Top	Screw Cap
122571	✓	1.6 (6.0)	0.05 (0.2)	Single w/M12 Top	Straight Connector (Ø 10 pipe)
122572	✓	1.6 (6.0)	0.13 (0.5)	Single w/M12 Top	Screw Cap
122573	✓	1.6 (6.0)	0.13 (0.5)	Single w/M12 Top	Straight Connector (Ø 10 pipe)






Model	CE	Reservoir Gal (liters)	Flow GPM (lpm)	Level Switch	Refill System
122574	✓	1.6 (6.0)	0.05 (0.2)	Dual w/DIN	Screw Cap
122575	✓	1.6 (6.0)	0.05 (0.2)	Dual w/DIN	Straight Connector (Ø 10 pipe)
122576	✓	1.6 (6.0)	0.13 (0.5)	Dual w/DIN	Screw Cap
122577	✓	1.6 (6.0)	0.13 (0.5)	Dual w/DIN	Straight Connector (Ø 10 pipe)
122578	✓	1.6 (6.0)	0.05 (0.2)	Dual w/M12 Top	Screw Cap
122579	✓	1.6 (6.0)	0.05 (0.2)	Dual w/M12 Top	Straight Connector (Ø 10 pipe)
122580	✓	1.6 (6.0)	0.13 (0.5)	Dual w/M12 Top	Screw Cap
15U860		1.6 (6.0)	0.05 (0.2)	Dual w/M12 Top	Straight Connector (Ø 10 pipe)

## Grease Systems

Model	CE	Reservoir Gal (liters)	Flow GPM (LPM)	Level Switch	Refill System
122581	✓	0.8 (3.0)	0.05 (0.2)	None	Screw Cap
122582	✓	0.8 (3.0)	0.13 (0.2)	Single w/DIN	Screw Cap
122583	✓	0.8 (3.0)	0.13 (0.2)	Single w/DIN	Straight Connector (Ø 10 pipe)
122584	✓	0.8 (3.0)	0.13 (0.2)	Single w/M12 Top	Screw Cap
122585	✓	0.8 (3.0)	0.13 (0.2)	Single w/M12 Top	Straight Connector (Ø 10 pipe)
563300		0.8 (3.0)	0.13 (0.2)	Dual w/M12 Top	Straight Connector (Ø 10 pipe)
122589	✓	1.6 (6.0)	0.13 (0.2)	None	Screw Cap
122590	✓	1.6 (6.0)	0.13 (0.2)	None	Straight Connector (Ø 10 pipe)
122591	✓	1.6 (6.0)	0.13 (0.2)	Single w/DIN	Screw Cap
122592	✓	1.6 (6.0)	0.13 (0.2)	Single w/DIN	Straight Connector (Ø 10 pipe)
122593	✓	1.6 (6.0)	0.13 (0.2)	Single w/M12 Top	Screw Cap
122594	✓	1.6 (6.0)	0.13 (0.2)	Single w/M12 Top	Straight Connector (Ø 10 pipe)
122595	✓	1.6 (6.0)	0.13 (0.2)	Dual w/DIN	Screw Cap
122596	✓	1.6 (6.0)	0.13 (0.2)	Dual w/DIN	Straight Connector (Ø 10 pipe)
122597	✓	1.6 (6.0)	0.13 (0.2)	Dual w/M12 Top	Screw Cap
122598	✓	1.6 (6.0)	0.13 (0.2)	Dual w/M12 Top	Straight Connector (Ø 10 pipe)

# Warnings

The following warnings are for the setup, use, grounding, maintenance, and repair of this equipment. The exclamation point symbol alerts you to a general warning and the hazard symbol refers to procedure-specific risk. Refer back to these warnings. Additional, product-specific warnings may be found throughout the body of this manual where applicable.

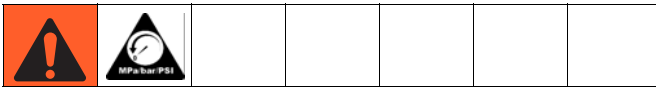
 <b>WARNING</b>	
	<p><b>FIRE AND EXPLOSION HAZARD</b></p> <p>When flammable fluids are present in the work area, such as gasoline and windshield wiper fluid, be aware that flammable fumes can ignite or explode. To help prevent fire and explosion:</p> <ul style="list-style-type: none"> <li>• Use equipment only in well ventilated area.</li> <li>• Eliminate all ignition sources, such as cigarettes and portable electric lamps.</li> <li>• Keep work area free of debris, including rags and spilled or open containers of solvent and gasoline.</li> <li>• Do not plug or unplug power cords or turn lights on or off when flammable fumes are present.</li> <li>• Ground all equipment in the work area.</li> <li>• Use only grounded hoses.</li> <li>• If there is static sparking or you feel a shock, <b>stop operation immediately</b>. Do not use equipment until you identify and correct the problem.</li> <li>• Keep a working fire extinguisher in the work area.</li> </ul>
	<p><b>ELECTRIC SHOCK HAZARD</b></p> <p>This equipment must be grounded. Improper grounding, setup, or usage of the system can cause electric shock.</p> <ul style="list-style-type: none"> <li>• Turn off and disconnect power at main switch before disconnecting any cables and before servicing equipment.</li> <li>• Connect only to grounded power source.</li> <li>• All electrical wiring must be done by a qualified electrician and comply with all local codes and regulations.</li> </ul>
	<p><b>PRESSURIZED EQUIPMENT HAZARD</b></p> <p>Fluid from the gun/dispense valve, leaks, or ruptured components can splash in the eyes or on skin and cause serious injury.</p> <ul style="list-style-type: none"> <li>• Follow <b>Pressure Relief Procedure</b> in this manual, when you stop spraying and before cleaning, checking, or servicing equipment.</li> <li>• Tighten all fluid connections before operating the equipment.</li> <li>• Check hoses, tubes, and couplings daily. Replace worn or damaged parts immediately.</li> </ul>
	<p><b>EQUIPMENT MISUSE HAZARD</b></p> <p>Misuse can cause death or serious injury.</p> <ul style="list-style-type: none"> <li>• Do not operate the unit when fatigued or under the influence of drugs or alcohol.</li> <li>• Do not exceed the maximum working pressure or temperature rating of the lowest rated system component. See <b>Technical Data</b> in all equipment manuals.</li> <li>• Check equipment daily. Repair or replace worn or damaged parts immediately with genuine manufacturer's replacement parts only.</li> <li>• Do not alter or modify equipment.</li> <li>• Use equipment only for its intended purpose. Call your distributor for information.</li> <li>• Route hoses and cables away from traffic areas, sharp edges, moving parts, and hot surfaces.</li> <li>• Do not kink or over bend hoses or use hoses to pull equipment.</li> <li>• Keep children and animals away from work area.</li> <li>• Comply with all applicable safety regulations.</li> </ul>

## Grounding



The equipment must be grounded. Grounding reduces the risk of static and electric shock by providing an escape wire for the electrical current due to static build up or in the event of a short circuit.

## Pressure Relief Procedure



To relieve pressure, loosen outlet fitting connection to bleed air and relieve pressure.

NOTE: Pumps have a built-in decompression valve that relieves pressure when cycle is complete.

# Installation

## Component Identification

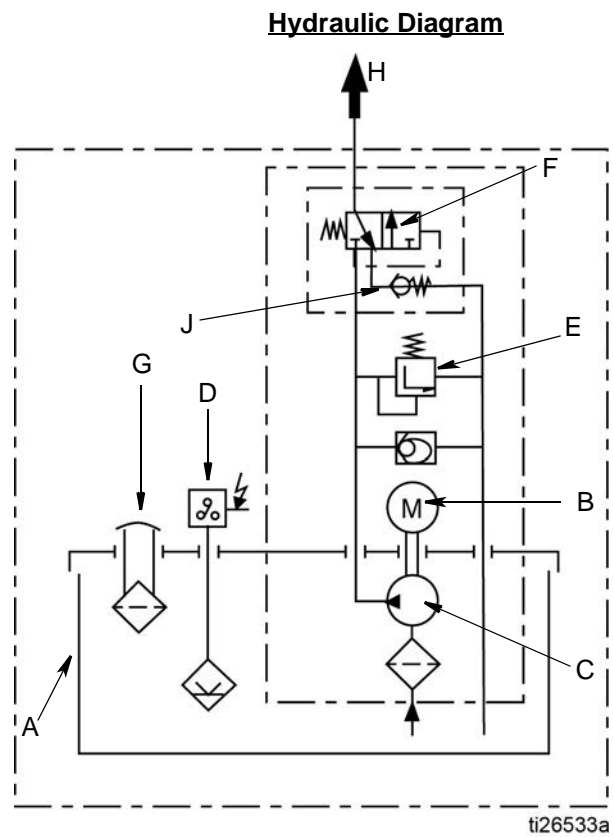
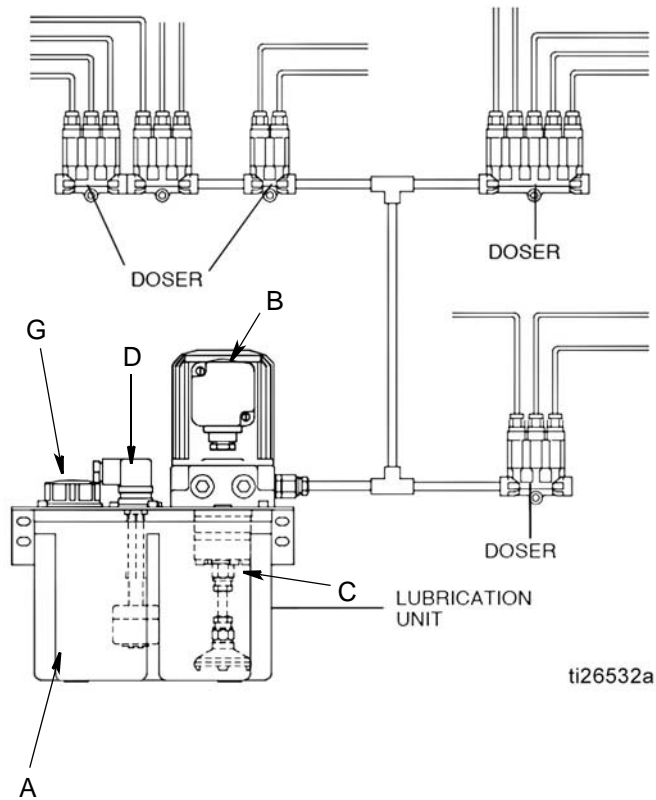


FIG. 1

**Key: Grease Models**

- A Tank
- B Electric Motor
- C Gear Pump
- D Electric Level Switch
- E Pressure Limiting Valve
- F Relief Valve
- G Filling Cap-Filter
- H Pressure Outlet

**Oil Models\***

(includes all items A - H and also the following)

- J Suction Filter

# Refilling Options

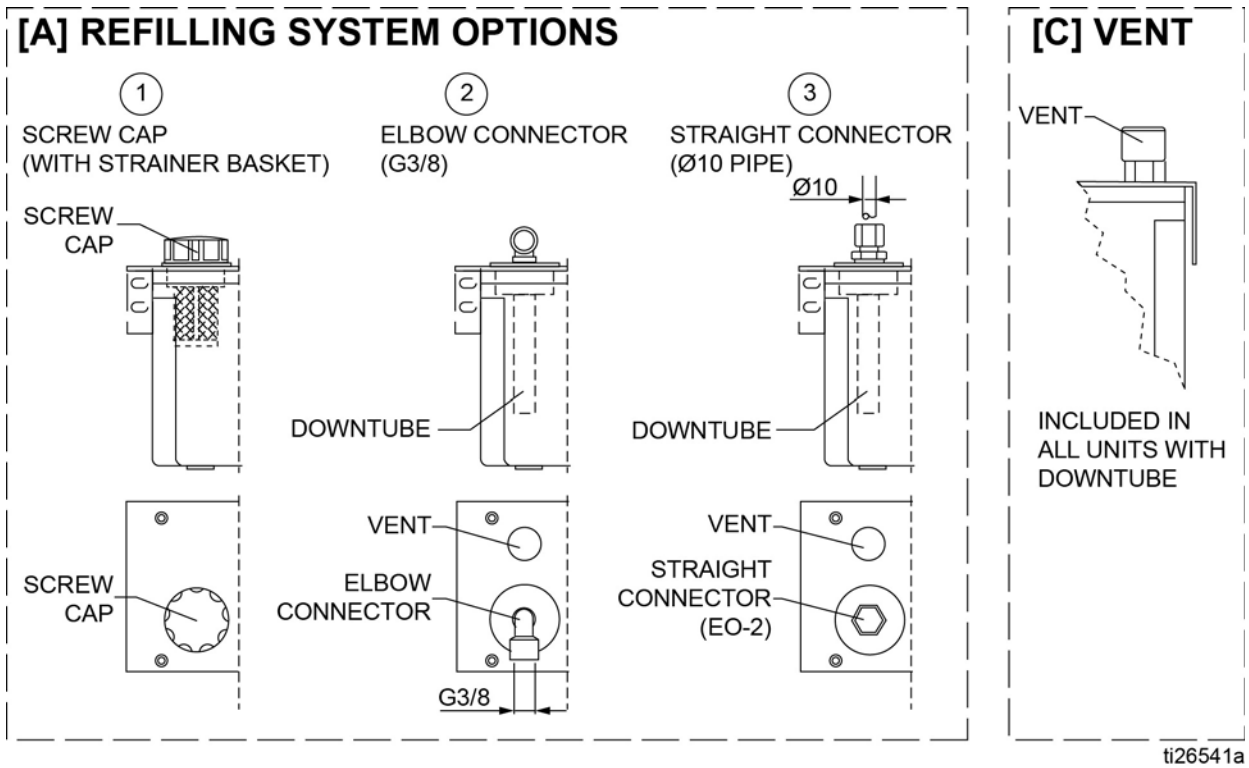


FIG. 2

# Level Switch Connector Options

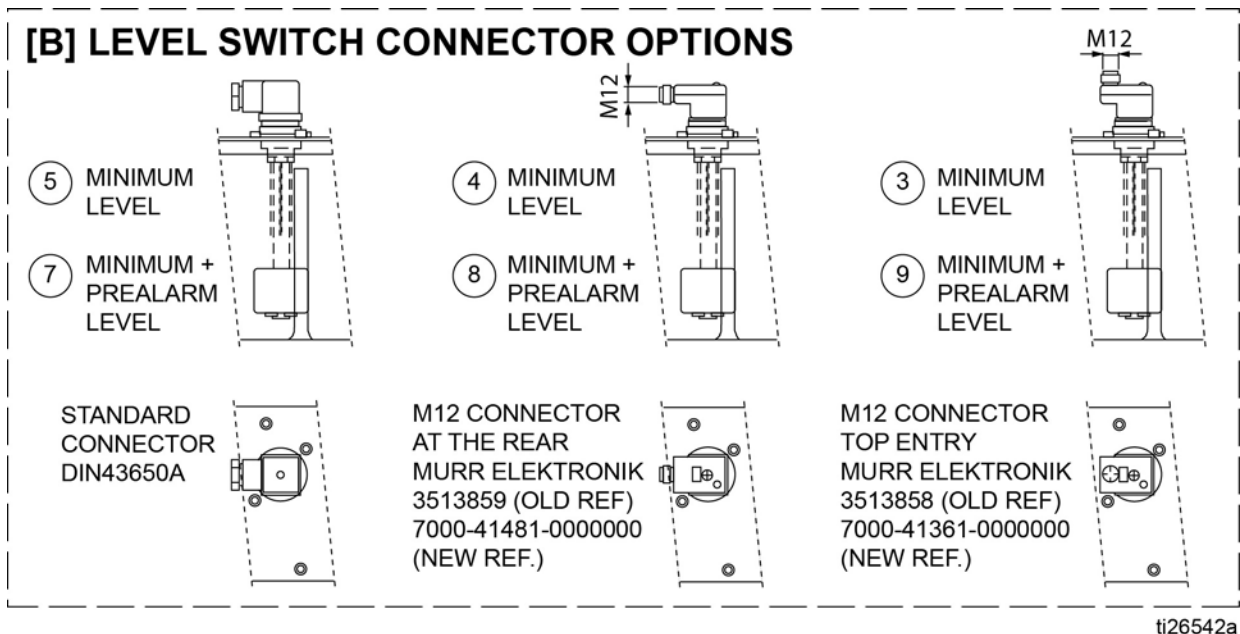


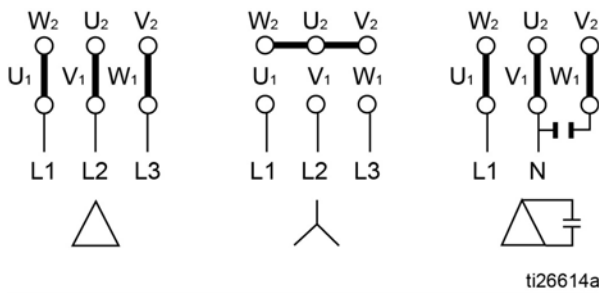
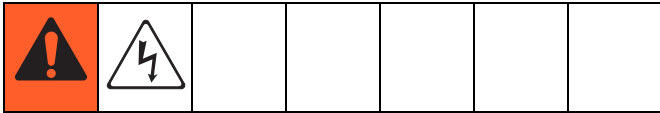
FIG. 3

## Instructions

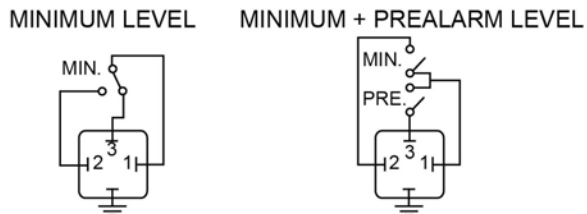
The control of these units is external (without control) programming by the machine automatism or external control (CNC, Automatic device, etc.).

It can be equipped with an electrical level (minimum level) control in the tank.

## Wiring Diagram



## Level Switch Function Diagrams



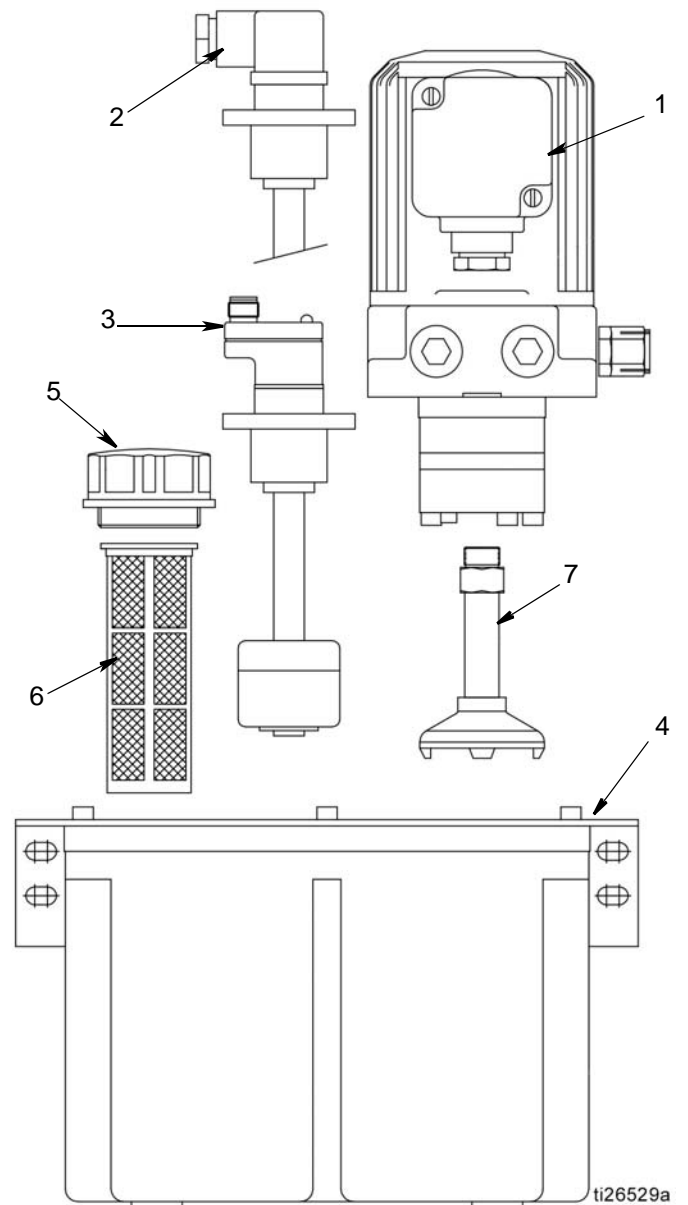
DIAGRAMS REPRESENTED WITH THE RESERVOIRS  
WITHOUT LUBRICANT

ti26615a



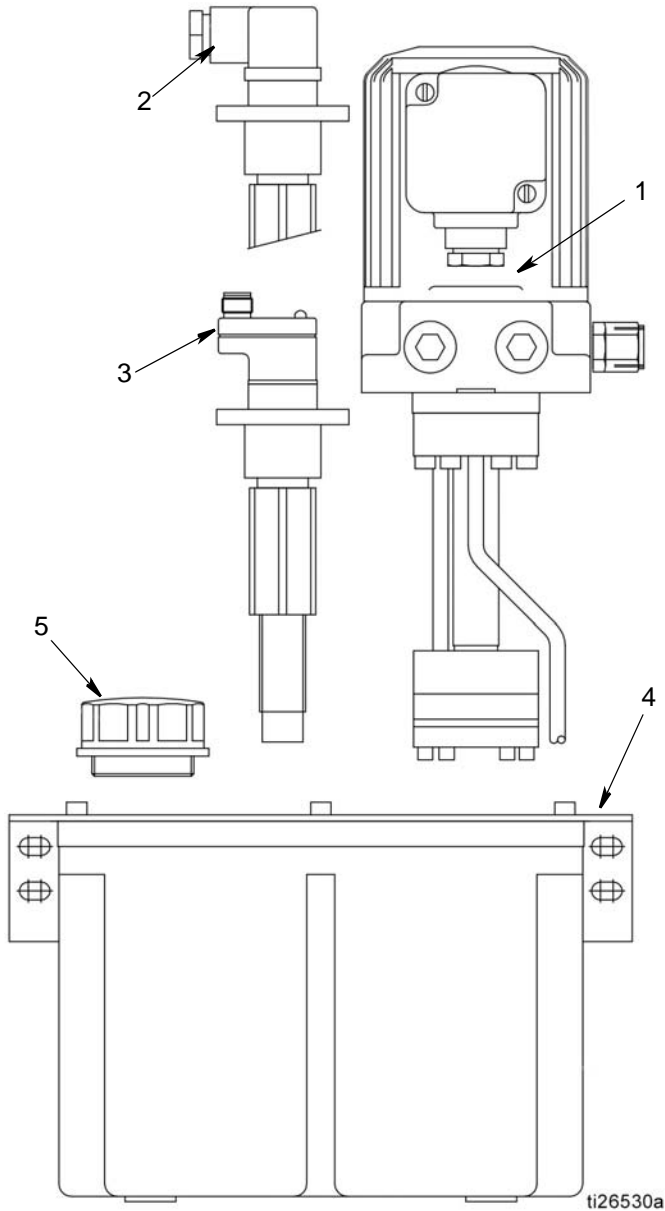
# Parts Oil

Ref	Part No.	Description
1	122901	PUMP, electric motor, oil, 0.2L/min
	122902	PUMP, electric motor, oil, 0.5L/min
2	122903	SWITCH, min level w/din, 3L
	122904	SWITCH, min level w/din, 6L
	122905	SWITCH, min, pre-alarm level, w/din, 3L
	122906	SWITCH, min, pre-alarm level, w/din, 6L
3	122907	SWITCH, min level w/M12, top connector, 3L
	122908	SWITCH, min level w/M12, top connector, 6L
	122909	SWITCH, min pre-alarm level w/M12, top connector, 3L
	122910	SWITCH, min pre-alarm level w/M12, top connector, 6L
4	122911	RESERVOIR, 3 Liter, no cover
	NA	RESERVOIR, 6 Liter, no cover
5	122912	CAP, screw
6	122913	FILTER, refilling
7	122914	FILTER, suction, 3L, reservoir
	122915	FILTER, suction, 6L, reservoir



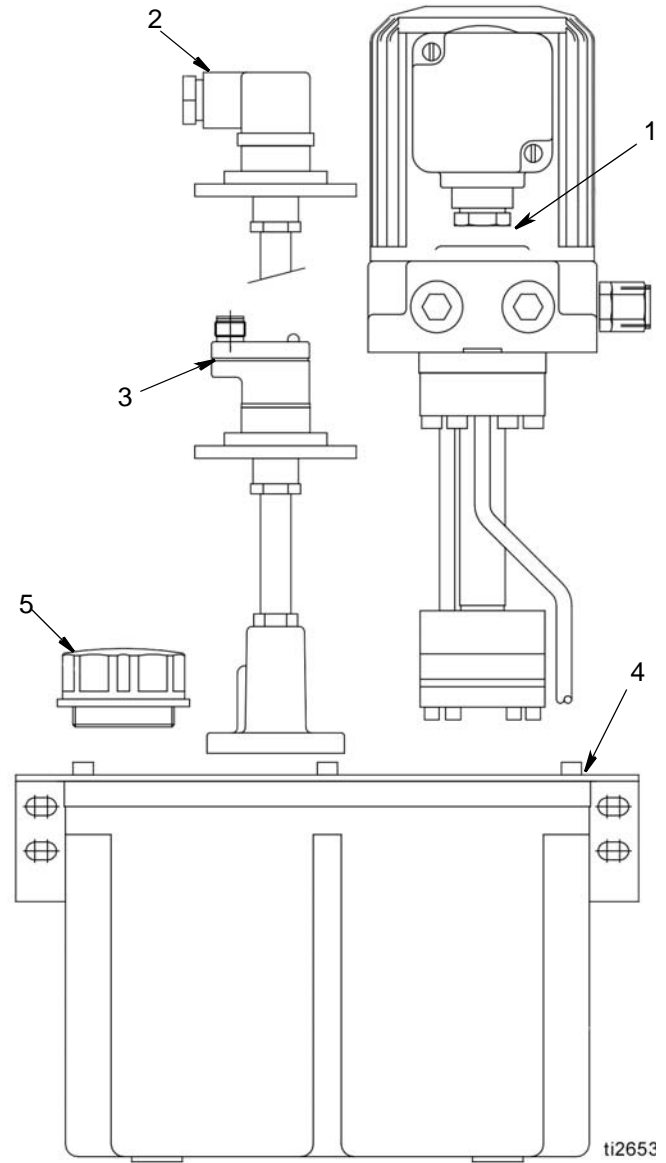
# Parts Grease

Ref	Part No.	Description
1	122916	PUMP, electric motor, grease, 3L
	122917	PUMP, electric motor, grease, 6L
2	122918	SWITCH, min level w/din, 3L
	122919	SWITCH, min level w/din, 6L
3	122920	SWITCH, min, M12, top connector, 3L
	122921	SWITCH, min, M12, top connector, 6L
4	122911	RESERVOIR, 3 Liter, no cover
	NA	RESERVOIR, 6 Liter, no cover
5	122912	CAP, screw

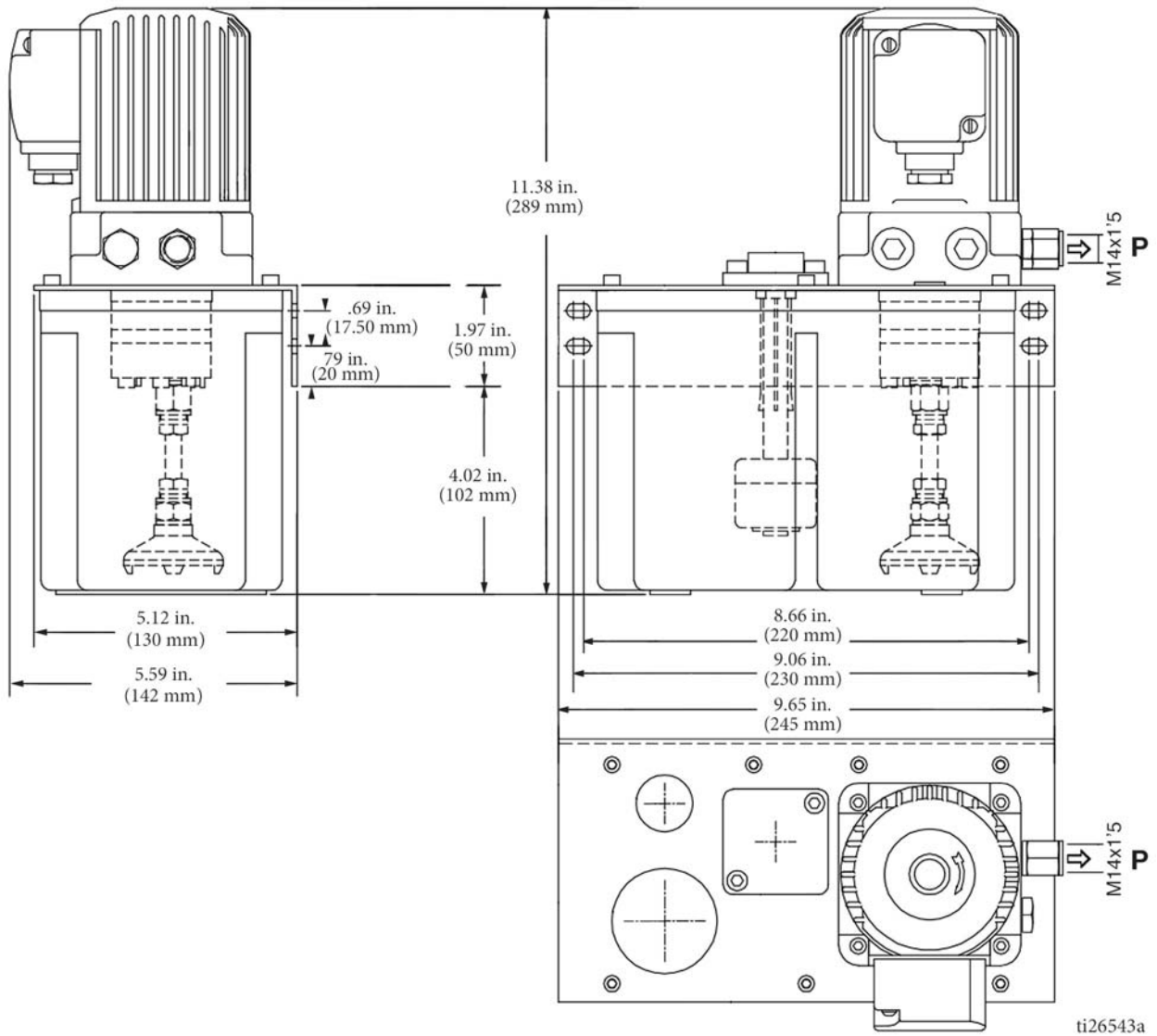


# Parts Special Fluid Grease

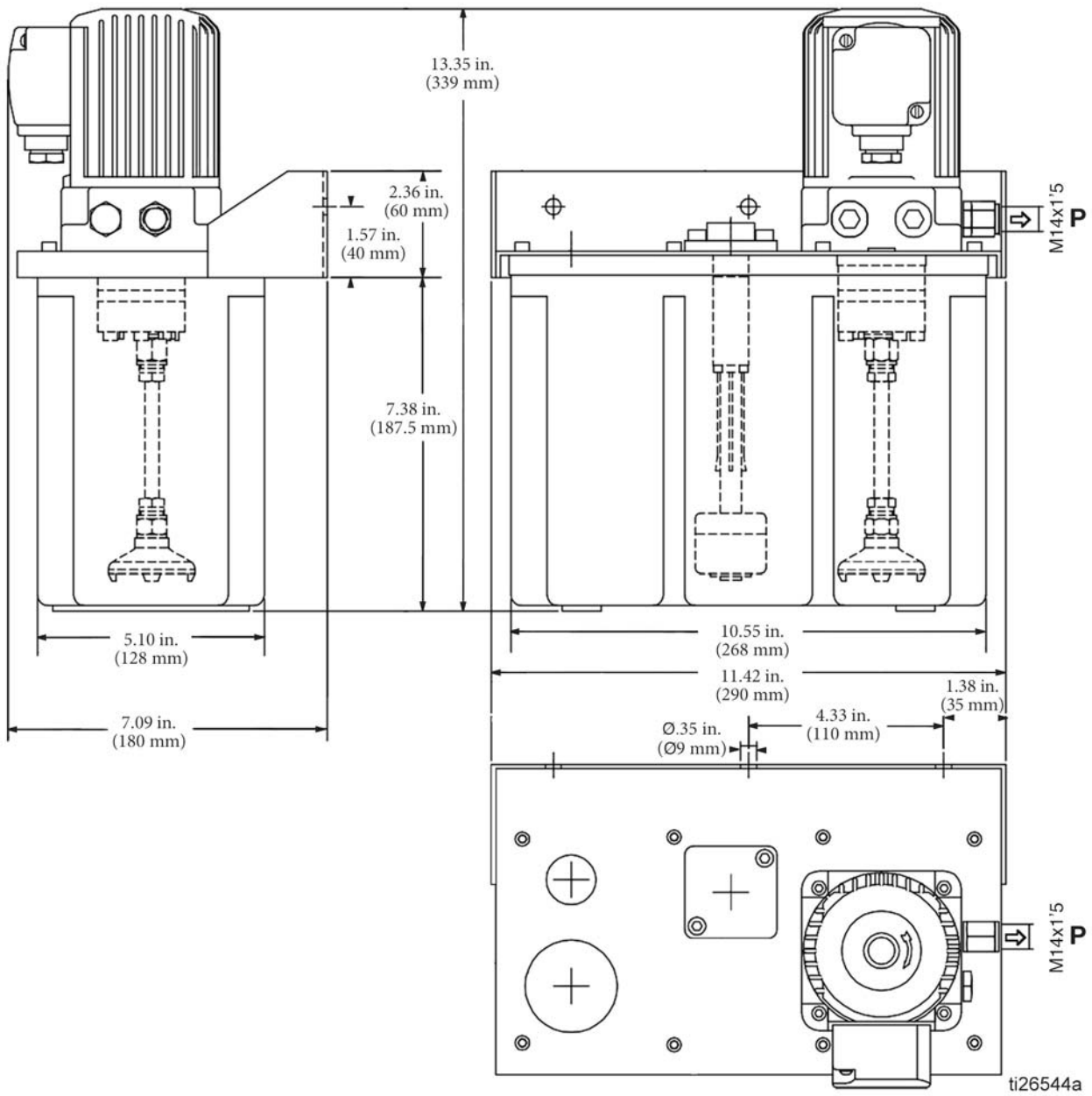
Ref	Part No.	Description
1	122916	PUMP, electric motor, grease, 3L
	122917	PUMP, electric motor, grease, 6L
2	122922	SWITCH, min level w/din, 3L
	122923	SWITCH, min level w/din, 6L
3	122924	SWITCH, min, M12, top connector, 3L
	122925	SWITCH, min, M12, top connector, 6L
4	122911	RESERVOIR, 3 Liter, no cover
	NA	RESERVOIR, 6 Liter, no cover
5	122912	CAP, screw



# Dimensions: 3 Liter Tanks



## Dimensions: 6 Liter Tanks



# Technical Data

## Tank Capacity

Models: Oil .....	0.8 - 1.6 gallons (3 - 6 liters)
Models: Grease .....	1.6 gallons (6 liters)

**Tank Material** ..... Transparent Polyimide

**Output Connection** ..... M14 x 1.5

## Pump

Lubricant

Models: Oil .....	Mineral or synthetic oil
Models: Grease .....	Fluid grease NLGI00-000

Flow ..... 0.05 - 0.13 gal/min (0.2 - 0.5 L/min)

Viscosity ..... 30 + 1500 cSt

Maximum Pressure

Oil .....	435 psi (3.0 MPa, 30 bar)
Grease .....	580 psi (4.0 MPa, 40 bar)

Working Temperature

Lubricant .....	140°F (60°C)
Ambient (Oil models only) .....	104°F (40°C)

## A/C Motor

Voltage / Frequency ..... 230/400 VAC, 50/60 Hz, 0.5 - 0.3A

Consumption ..... 70W

RPM ..... 50Hz: 2730/ 60Hz: 3200

Wiring Options ..... See Wiring Diagram, page 8

## Level Switch

Contact Type ..... Reed

Tension ..... Max/220 VAC

Connection ..... Max 0.8A

Breaking Power ..... Max 60VA/30W

Function ..... See Level Switch Function Diagrams, page 8

# Graco Standard Warranty

Graco warrants all equipment referenced in this document which is manufactured by Graco and bearing its name to be free from defects in material and workmanship on the date of sale to the original purchaser for use. With the exception of any special, extended, or limited warranty published by Graco, Graco will, for a period of twelve months from the date of sale, repair or replace any part of the equipment determined by Graco to be defective. This warranty applies only when the equipment is installed, operated and maintained in accordance with Graco's written recommendations.

This warranty does not cover, and Graco shall not be liable for general wear and tear, or any malfunction, damage or wear caused by faulty installation, misapplication, abrasion, corrosion, inadequate or improper maintenance, negligence, accident, tampering, or substitution of non-Graco component parts. Nor shall Graco be liable for malfunction, damage or wear caused by the incompatibility of Graco equipment with structures, accessories, equipment or materials not supplied by Graco, or the improper design, manufacture, installation, operation or maintenance of structures, accessories, equipment or materials not supplied by Graco.

This warranty is conditioned upon the prepaid return of the equipment claimed to be defective to an authorized Graco distributor for verification of the claimed defect. If the claimed defect is verified, Graco will repair or replace free of charge any defective parts. The equipment will be returned to the original purchaser transportation prepaid. If inspection of the equipment does not disclose any defect in material or workmanship, repairs will be made at a reasonable charge, which charges may include the costs of parts, labor, and transportation.

**THIS WARRANTY IS EXCLUSIVE, AND IS IN LIEU OF ANY OTHER WARRANTIES, EXPRESS OR IMPLIED, INCLUDING BUT NOT LIMITED TO WARRANTY OF MERCHANTABILITY OR WARRANTY OF FITNESS FOR A PARTICULAR PURPOSE.**

Graco's sole obligation and buyer's sole remedy for any breach of warranty shall be as set forth above. The buyer agrees that no other remedy (including, but not limited to, incidental or consequential damages for lost profits, lost sales, injury to person or property, or any other incidental or consequential loss) shall be available. Any action for breach of warranty must be brought within two (2) years of the date of sale.

**GRACO MAKES NO WARRANTY, AND DISCLAIMS ALL IMPLIED WARRANTIES OF MERCHANTABILITY AND FITNESS FOR A PARTICULAR PURPOSE, IN CONNECTION WITH ACCESSORIES, EQUIPMENT, MATERIALS OR COMPONENTS SOLD BUT NOT MANUFACTURED BY GRACO.** These items sold, but not manufactured by Graco (such as electric motors, switches, hose, etc.), are subject to the warranty, if any, of their manufacturer. Graco will provide purchaser with reasonable assistance in making any claim for breach of these warranties.

In no event will Graco be liable for indirect, incidental, special or consequential damages resulting from Graco supplying equipment hereunder, or the furnishing, performance, or use of any products or other goods sold hereto, whether due to a breach of contract, breach of warranty, the negligence of Graco, or otherwise.

## **FOR GRACO CANADA CUSTOMERS**

The Parties acknowledge that they have required that the present document, as well as all documents, notices and legal proceedings entered into, given or instituted pursuant hereto or relating directly or indirectly hereto, be drawn up in English. Les parties reconnaissent avoir convenu que la rédaction du présente document sera en Anglais, ainsi que tous documents, avis et procédures judiciaires exécutés, donnés ou intentés, à la suite de ou en rapport, directement ou indirectement, avec les procédures concernées.

# Graco Information

For the latest information about Graco products, visit [www.graco.com](http://www.graco.com).

**TO PLACE AN ORDER**, contact your Graco distributor or call to identify the nearest distributor.

**Phone:** 612-623-6928 or **Toll Free:** 1-800-533-9655, **Fax:** 612-378-3590

*All written and visual data contained in this document reflects the latest product information available at the time of publication.  
Graco reserves the right to make changes at any time without notice.*

*For patent information: [www.graco.com/patent](http://www.graco.com/patent)*

*Original instructions. This manual contains English. MM 313389*

**Graco Headquarters:** Minneapolis

**International Offices:** Belgium, China, Japan, Korea

**GRACO INC. P.O. BOX 1441 MINNEAPOLIS, MN 55440-1441**

Copyright 2009, Graco Inc. is registered to ISO 9001

[www.graco.com](http://www.graco.com)

August 2016