



XD 60™, XD 70™ and XD 80™ Motor Driven Hose Reels

Technical and Ordering Information

Features and Benefits

Choose from multiple frame and motor combinations—mix and match to make quick work of configuring the reel for your application. Reels can easily be configured for left or right inlet orientation by switching the outlet direction and motor rotation to suit your needs. Order reels assembled, or choose frames and motor modules to maximize uptime for on-site installations.

- Drive unit is clean and lubricated for life, so there's no need to worry about greasy, exposed drive chains that need maintenance and can be dangerous to operators
- A Graco exclusive—breakthrough swivel design allows better flow to get work done faster
- Materials are corrosion resistant and strong for long lasting performance
- Direct drive hydraulic, and enclosed gear drive pneumatic and electric with 12, 24, 115, and 230 VAC motor options
- Electric motors are UL listed for use in hazardous locations
- 600 psi (41 bar) low pressure and 3,000 psi (207 bar) medium pressure models
- Operating temperature range of -40 to 180° F (-40 to 82° C)*
- Adjustable band clamp brake used to slow and stop reel
- Optional roller guides and arms available as accessories

Not all options available in every configuration. Please see ordering guide for available sizes.

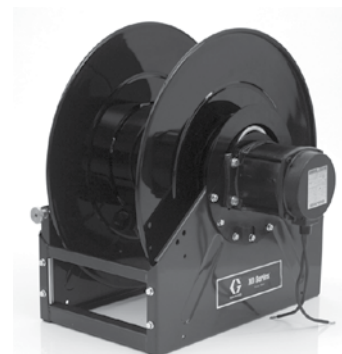
** Grease reels are rated for 0° to 180° F (-18 to 82° C)*

Typical Fluids

- Air
- Water
- Oil
- Grease
- Fuel Dispense
- Waste Oil Evacuation

Top Quality Solutions for:

- Mining Operations
- Oil and Gas
- Heavy-duty Construction
- Agriculture
- Sewer and Waste Water
- Transportation



XD 60

Hose Capacity	Up to ½ in x 100 ft, ¾ in x 100 ft, 1 in x 50 ft
Swivel Size	1 inch npt inlet and outlet



XD 70

Hose Capacity	Up to 1 in x 100 ft, 1.5 in x 65 ft, 2 in x 33 ft
Swivel Size	1, 1.5 or 2 inch npt inlet and outlet

1.5" models include 2" Victaulic-style groove on inlet*



XD 80

Hose Capacity	Up to 1 in x 150 ft, 1.5 in x 100 ft, 2 in x 50 ft
Swivel Size	1, 1.5 or 2 inch npt inlet and outlet

1.5" models include 2" Victaulic-style groove on inlet*

*Victaulic is a trademark of Victaulic Company of America

North America Customer Service **800-533-9655** Fax **800-533-9656**

©2014 Graco Inc. • P.O. Box 1441 • Minneapolis, MN 55440-1441 • 341048 Rev C • 12/14 • Printed in U.S.A.

All written and visual data contained in this document are based on the latest product information available at the time of publication. Graco reserves the right to make changes at any time without notice.

XD 60™, XD 70™ and XD 80™ Motor Driven Hose Reels

Ordering Information



Hose Reel Ordering Information

Technical Specifications

Applications	Model numbers by color			Description	Weight lbs (kg)	Pressure psi (bar)	Recommended Hose Capacity Hose Diameter x Length ft (m)			Inlet/Outlet Size npt (f)	
	Blue	Yellow	White								
Air/Water	XD 60	24R419	24R420	24R421	XD 6010, Pneumatic Motor	123 (56)	600 (41)	1/2"x100' (30)	3/4"x100' (30)	1'x50" (15)	1 in/1 in
		24R414	24R415	24R416	XD 6010, Hydraulic Motor	101 (45)	600 (41)	1/2"x100'(30)	3/4"x100' (30)	1'x50" (15)	
		24R404	24R405	24R406	XD 6010, 12 VDC Elec. Motor, 1/2 HP	133 (60)	600 (41)	1/2"x100' (30)	3/4"x100' (30)	1'x50" (15)	
		24R407	24R408	24R409	XD 6010, 24 VDC Elec. Motor, 1/2 HP	133 (60)	600 (41)	1/2"x100' (30)	3/4"x100' (30)	1'x50" (15)	
		24R410	24R412	24R413	XD 6010, 115 VAC Elec. Motor	133 (60)	600 (41)	1/2"x100' (30)	3/4"x100' (30)	1'x50" (15)	
		24T207	24T208	24T209	XD 6010, 230 VAC Elec. Motor	133 (60)	600 (41)	1/2"x100' (30)	3/4"x100' (30)	1'x50" (15)	
	XD 70	24R449	24R450	24R451	XD7010 Pneumatic Motor	122 (55)	600 (41)	1"x75' (23)	1"x100' (30)		1 in/1 in
		24R446	24R447	24R448	XD7010 Hydraulic Motor	100 (45)	600 (41)	1"x75' (23)	1"x100' (30)		
		24R437	24R438	24R439	XD7010 12 VDC Elec. Motor, 1/2 HP	132 (60)	600 (41)	1"x75' (23)	1"x100' (30)		
		24R440	24R441	24R442	XD7010 24 VDC Elec. Motor, 1/2 HP	132 (60)	600 (41)	1"x75' (23)	1"x100' (30)		
		24R443	24R444	24R445	XD7010 115 VAC Elec. Motor	132 (60)	600 (41)	1"x75' (23)	1"x100' (50)		
		24T213	24T215	24T216	XD7010 230 VAC Electric Motor	132 (60)	600 (41)	1"x75' (23)	1"x100' (30)		
	XD 80	24R531	24R532	24R533	XD8010 Pneumatic Motor	164 (74)	600 (41)	1"x150' (46)			1 in/1 in
		24R528	24R529	24R530	XD8010 Hydraulic Motor	142 (64)	600 (41)	1"x150' (46)			
		24R519	24R520	24R521	XD8010 12 VDC Elec. Motor, 1/2 HP	173 (78)	600 (41)	1"x150' (46)			
		24R522	24R523	24R524	XD8010 24 VDC Elec Motor, 1/2 HP	173 (78)	600 (41)	1"x150' (46)			
		24R525	24R526	24R527	XD8010 115 VAC Electric Motor	173 (78)	600 (41)	1"x150' (46)			
		24T227	24T228	24T229	XD8010, 230 VAC Elec Motor	173 (78)	600 (41)	1"x150' (46)			
Oil	XD 60	24R434	24R435	24R436	XD6010, Pneumatic Motor	125 (56)	3000 (207)	1/2"x100' (30)	3/4"x100' (30)	1'x50" (15)	1 in/1 in
		24R431	24R432	24R433	XD6010 ,Hydraulic Motor	103 (47)	3000 (207)	1/2"x100' (30)	3/4"x100' (30)	1'x50" (15)	
		24R422	24R423	24R424	XD6010, 12 VDC Elec. Motor, 1/2 HP	134 (61)	3000 (207)	1/2"x100' (30)	3/4"x100' (30)	1'x50" (15)	
		24R425	24R426	24R427	XD6010 24 VDC Elec. Motor, 1/2 HP	134 (61)	3000 (207)	1/2"x100' (30)	3/4"x100' (30)	1'x50" (15)	
		24R428	24R429	24R430	XD6010 115 VAC Electric Motor	134 (61)	3000 (207)	1/2"x100' (30)	3/4"x100' (30)	1'x50" (15)	
		24T210	24T211	24T212	XD6010 230 VAC Electric Motor	134 (61)	3000 (207)	1/2"x100' (30)	3/4"x100' (30)	1'x50" (15)	

Operating temperature for grease reels is 0° F to 180° F (-18° to 82° C), all others are -40° F to 180° F (-40° to 82° C).

North America Customer Service **800-533-9655** Fax **800-533-9656**

©2014 Graco Inc. • P.O. Box 1441 • Minneapolis, MN 55440-1441 • 341048 Rev C • 12/14 • Printed in U.S.A.

All written and visual data contained in this document are based on the latest product information available at the time of publication. Graco reserves the right to make changes at any time without notice.



www.graco.com



XD 60™, XD 70™ and XD 80™ Motor Driven Hose Reels

Ordering Information

Hose Reel Ordering Information

Technical Specifications

Applications	Model numbers by color			Description	Weight	Pressure psi (bar)	Recommended Hose Capacity			Inlet/Outlet Size npt (f)	
	Blue	Yellow	White				Hose Diameter	x Length ft (m)			
Oil	XD 70	24R464	24R465	24R466	XD7010 Pneumatic Motor	100 (56)	3000 (207)	1"x75' (23)	1"x100' (30)		1 in/1 in
		24R461	24R462	24R463	XD7010 Hydraulic Motor	102 (46)	3000 (207)	1"x75' (23)	1"x100' (30)		
		24R452	24R453	24R454	XD7010 12 VDC Elec. Motor, 1/2 HP	133 (60)	3000 (207)	1"x75' (23)	1"x100' (30)		
		24R455	24R456	24R457	XD7010 24 VDC Elec. Motor, 1/2 HP	133 (60)	3000 (207)	1"x75' (23)	1"x100' (30)		
		24R458	24R459	24R460	XD7010 115 VAC Electric Motor	133 (60)	3000 (207)	1"x75' (23)	1"x100' (30)		
		24T218	24T219	24T220	XD7010 230 VAC Electric Motor	133 (60)	3000 (207)	1"x75' (23)	1"x100' (30)		
	XD 80	24R546	24R547	24R548	XD8010 Pneumatic Motor	165 (75)	3000 (207)	1"x150' (46)			1 in/1 in
		24R543	24R544	24R545	XD8010 Hydraulic Motor	143 (65)	3000 (207)	1"x150' (46)			
		24R534	24R535	24R536	XD8010 12 VDC Elec. Motor, 1/2 HP	175 (79)	3000 (207)	1"x150' (46)			
		24R537	24R538	24R539	XD8010 24 VDC Elec Motor, 1/2 HP	175 (79)	3000 (207)	1"x150' (46)			
		24R540	24R541	24R542	XD8010 115 VAC Electric Motor	175 (79)	3000 (207)	1"x150' (46)			
		24T230	24T231	24T232	XD8010 230 VAC Electric Motor	175 (79)	3000 (207)	1"x150' (46)			
Waste Oil Evac.	XD 60	24R419	24R420	24R421	XD6010 Pneumatic Motor	123 (56)	600 (41)	1'x50" (15)			1 in/1 in
		24R414	24R415	24R416	XD6010 Hydraulic Motor	101 (45)	600 (41)	1'x50" (15)			
		24R404	24R405	24R406	XD6010 12 VDC Elec. Motor, 1/2 HP	133 (60)	600 (41)	1'x50" (15)			
		24R407	24R408	24R409	XD6010 24 VDC Elec Motor, 1/2 HP	133 (60)	600 (41)	1'x50" (15)			
		24R410	24R412	24R413	XD6010 115 VAC Electric Motor	133 (60)	600 (41)	1'x50" (15)			
		24T207	24T208	24T209	XD6010 230 VAC Electric Motor	133 (60)	600 (41)	1'x50" (15)			
	XD 70	24R516*	24R517*	24R518*	XD7015, Pneumatic Motor	100 (56)	600 (41)	1.25"x35' (10.5)	1.25"x50' (15)	1.5"x50' (15)	1.5 in/1.5 in*
		24R512*	24R513*	24R515*	XD7015 Hydraulic Motor	102 (46)	600 (41)	1.25"x35' (10.5)	1.25"x50' (15)	1.5"x50' (15)	
		24R503*	24R504*	24R505*	XD7015 12 VDC Elec. Motor, 1/2 HP	133 (60)	600 (41)	1.25"x35' (10.5)	1.25"x50' (15)	1.5"x50' (15)	
		24R506*	24R507*	24R508*	XD7015 24 VDC Elec. Motor, 1/2 HP	133 (60)	600 (41)	1.25"x35' (10.5)	1.25"x50' (15)	1.5"x50' (15)	
		24R509*	24R510*	24R511*	XD7015 115 VAC Electric Motor	133 (60)	600 (41)	1.25"x35' (10.5)	1.25"x50' (15)	1.5"x50' (15)	
		24T221*	24T222*	24T223*	XD7015 230 VAC Electric Motor	133 (60)	600 (41)	1.25"x35' (10.5)	1.25"x50' (15)	1.5"x50' (15)	

Operating temperature for grease reels is 0° F to 180° F (-18° to 82° C), all others are -40° F to 180° F (-40° to 82° C).

*Standard 2" Victaulic** style groove on inlet. **Victaulic is a trademark of Victaulic Company of America.

North America Customer Service **800-533-9655** Fax **800-533-9656**

©2014 Graco Inc. • P.O. Box 1441 • Minneapolis, MN 55440-1441 • 341048 Rev C • 12/14 • Printed in U.S.A.

All written and visual data contained in this document are based on the latest product information available at the time of publication. Graco reserves the right to make changes at any time without notice.

XD 60™, XD 70™ and XD 80™ Motor Driven Hose Reels

Ordering Information



Hose Reel Ordering Information

Technical Specifications

Applications	Model numbers by color			Description	Weight	Pressure psi (bar)	Recommended Hose Capacity Hose Diameter x Length ft (m)			Inlet/Outlet Size npt (f)
	Blue	Yellow	White							
XD 60	24R419	24R420	24R421	XD6010 Pneumatic Motor	123 (56)	600 (41)	1/2"x100' (30)	3/4"x100' (30)	1'x50" (15)	1 in/1 in
	24R414	24R415	24R416	XD6010 Hydraulic Motor	101 (45)	600 (41)	1/2"x100' (30)	3/4"x100' (30)	1'x50" (15)	
	24R404	24R405	24R406	XD6010 12 VDC Electric Motor, 1/2 HP	133 (60)	600 (41)	1/2"x100' (30)	3/4"x100' (30)	1'x50" (15)	
	24R407	24R408	24R409	XD6010 24 VDC Electric Motor, 1/2 HP	133 (60)	600 (41)	1/2"x100' (30)	3/4"x100' (30)	1'x50" (15)	
	24R410	24R412	24R413	XD6010 115 VAC Electric Motor	133 (60)	600 (41)	1/2"x100' (30)	3/4"x100' (30)	1'x50" (15)	
	24T207	24T208	24T209	XD 6010 230 VAC Electric Motor	133 (60)	600 (41)	1/2"x100' (30)	3/4"x100' (30)	1'x50" (15)	
XD 70	24R449	24R450	24R451	XD7010 Pneumatic Motor	122 (55)	600 (41)	1"x75' (23)	1"x100' (30)		1 in/1 in
	24R446	24R447	24R448	XD7010 Hydraulic Motor	100 (45)	600 (41)	1"x75' (23)	1"x100' (30)		
	24R437	24R438	24R439	XD7010 12 VDC Electric Motor, 1/2 HP	132 (60)	600 (41)	1"x75' (23)	1"x100' (30)		
	24R440	24R441	24R442	XD7010 24 VDC Electric Motor, 1/2 HP	132 (60)	600 (41)	1"x75' (23)	1"x100' (30)		
	24R443	24R444	24R445	XD7010 115 VAC Electric Motor	132 (60)	600 (41)	1"x75' (23)	1"x100' (30)		
	24T213	24T215	24T216	XD7010 230 VAC Electric Motor	132 (60)	600 (41)	1"x75' (23)	1"x100' (30)		
Fuel XD 70	24R516*	24R517*	24R518*	XD7015 Pneumatic Motor	100 (56)	600 (41)	1.25"x50' (15)	1.5"x50' (15)	1.5"x65' (20)	1.5 in/1.5 in*
	24R512*	24R513*	24R515*	XD7015 Hydraulic Motor	102 (46)	600 (41)	1.25"x50' (15)	1.5"x50' (15)	1.5"x65' (20)	
	24R503*	24R504*	24R505*	XD7015 12 VDC Electric Motor, 1/2 HP	133 (60)	600 (41)	1.25"x50' (15)	1.5"x50' (15)	1.5"x65' (20)	
	24R506*	24R507*	24R508*	XD7015 24 VDC Electric Motor, 1/2 HP	133 (60)	600 (41)	1.25"x50' (15)	1.5"x50' (15)	1.5"x65' (20)	
	24R509*	24R510*	24R511*	XD7015 115 VAC Electric Motor	133 (60)	600 (41)	1.25"x50' (15)	1.5"x50' (15)	1.5"x65' (20)	
	24T221*	24T222*	24T223*	XD7015 230 VAC Electric Motor	133 (60)	600 (41)	1.25"x50' (15)	1.5"x50' (15)	1.5"x65' (20)	
XD 70	24T023	24T024	24T025	XD7020 Pneumatic Motor	128 (58)	600 (41)	2"x33' (10)			2 in/2 in
	24T020	24T021	24T022	XD7020 Hydraulic Motor	106 (48)	600 (41)	2"x33' (10)			
	24T011	24T012	24T013	XD7020 12 VDC Electric Motor, 1/2 HP	137 (62)	600 (41)	2"x33' (10)			
	24T014	24T015	24T016	XD7020 24 VDC Electric Motor, 1/2 HP	137 (62)	600 (41)	2"x33' (10)			
	24T017	24T018	24T019	XD7020 115 VAC Electric Motor	137 (62)	600 (41)	2"x33' (10)			
	24T224	24T225	24T226	XD7020 230 VAC Electric Motor	137 (62)	600 (41)	2"x33' (10)			
XD 80	24R531	24R532	24R533	XD8010 Pneumatic Motor	164 (74)	600 (41)	1"x150' (46)			1 in/1 in
	24R528	24R529	24R530	XD8010 Hydraulic Motor	142 (64)	600 (41)	1"x150' (46)			
	24R519	24R520	24R521	XD8010 12 VDC Electric Motor, 1/2 HP	173 (78)	600 (41)	1"x150' (46)			
	24R522	24R523	24R524	XD8010 24 VDC Elec., Motor, 1/2 HP	173 (78)	600 (41)	1"x150' (46)			
	24R525	24R526	24R527	XD8010 115 VAC Electric, Motor	173 (78)	600 (41)	1"x150' (46)			
	24T227	24T228	24T229	XD8010 230 VAC Electric, Motor	173 (78)	600 (41)	1"x150' (46)			

Operating temperature for grease reels is 0° F to 180° F (-18° to 82° C), all others are -40° F to 180° F (-40° to 82° C).

*Standard 2" Victaulic** style groove on inlet. **Victaulic is a trademark of Victaulic Company of America.

North America Customer Service **800-533-9655** Fax **800-533-9656**

©2014 Graco Inc. • P.O. Box 1441 • Minneapolis, MN 55440-1441 • 341048 Rev C • 12/14 • Printed in U.S.A.

All written and visual data contained in this document are based on the latest product information available at the time of publication.

Graco reserves the right to make changes at any time without notice.



www.graco.com



XD 60™, XD 70™ and XD 80™ Motor Driven Hose Reels

Ordering Information

Hose Reel Ordering Information

Technical Specifications

Applications	Model numbers by color			Description	Weight	Pressure psi (bar)	Recommended Hose Capacity		Inlet/Outlet Size npt (f)	
	Blue	Yellow	White				Hose Diameter	x Length ft (m)		
Fuel	XD 80	24R561*	24R562*	24R563*	XD8015 Pneumatic Motor	165 (75)	600 (41)	1.5"x75' (23)	1.5"x100' (50)	1.5 in/1.5 in*
		24R558*	24R559*	24R560*	XD8015 Hydraulic Motor	143 (65)	600 (41)	1.5"x75' (23)	1.5"x100' (50)	
		24R549*	24R550*	24R551*	XD8015 12 VAC Electric Motor, 1/2 HP	175 (79)	600 (41)	1.5"x75' (23)	1.5"x100' (50)	
		24R552*	24R553*	24R554*	XD8015 24 VAC Electric Motor, 1/2 HP	175 (79)	600 (41)	1.5"x75' (23)	1.5"x100' (50)	
		24R555*	24R556*	24R557*	XD8015 115 VAC Electric Motor	175 (79)	600 (41)	1.5"x75' (23)	1.5"x100' (50)	
		24T233*	24T234*	24T235*	XD8015 230 VAC Electric Motor	175 (79)	600 (41)	1.5"x75' (23)	1.5"x100' (50)	
	XD 80	24R576	24R577	24R578	XD8020 Pneumatic Motor	169 (76)	600 (41)	2"x50' (15)		2 in/2 in
		24R573	24R574	24R575	XD8020 Hydraulic Motor	147 (67)	600 (41)	2"x50' (15)		
		24R564	24R565	24R566	XD8020 12 VDC Electric Motor, 1/2 HP	179 (81)	600 (41)	2"x50' (15)		
		24R567	24R568	24R569	XD8020 24 VDC Electric Motor, 1/2 HP	179 (81)	600 (41)	2"x50' (15)		
		24R570	24R571	24R572	XD8020 115 VAC Electric Motor	179 (81)	600 (41)	2"x50' (15)		
		24T236	24T237	24T238	XD8020 230 VAC Electric Motor	179 (81)	600 (41)	2"x50' (15)		
Grease-Bulk Transfer	XD 60	24R434	24R435	24R436	XD6010 Pneumatic Motor	125 (75)	3000 (207)	1"x50" (15)		1 in/1 in
		24R431	24R432	24R433	XD6010 Hydraulic Motor	103 (47)	3000 (207)	1"x50" (15)		
		24R422	24R423	24R424	XD6010 12 VDC Electric Motor, 1/2 HP	134 (61)	3000 (207)	1"x50" (15)		
		24R425	24R426	24R427	XD6010 24 VDC Electric Motor, 1/2 HP	134 (61)	3000 (207)	1"x50" (15)		
		24R428	24R429	24R430	XD6010 115 VAC Electric Motor	134 (61)	3000 (207)	1"x50" (15)		
		24T210	24T211	24T212	XD6010 230 VAC Electric Motor	134 (61)	3000 (207)	1"x50" (15)		

Operating temperature for grease reels is 0° F to 180° F (-18° to 82° C), all others are -40° F to 180° F (-40° to 82° C).
 *Standard 2" Victaulic** style groove on inlet. **Victaulic is a trademark of Victaulic Company of America.

Modular Component Ordering Information

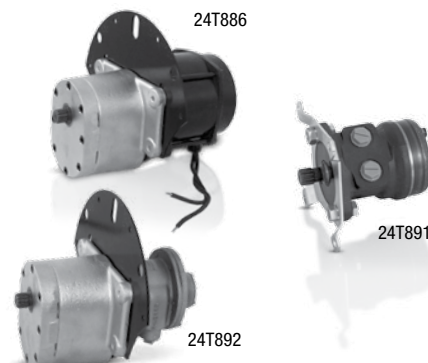
Reel Frames Only (Pair with Motor Assemblies)

	XD 60	XD 70	XD 80	Description	Weight	Pressure	Capacity	Capacity	Capacity	Inlet/Outlet
Air/Water, Fuel	24T104	24T105	24T106	XD6010 Bare Reel, No Motor	87 (39)	600 (41)	1/2"x100' (30)	3/4"x100' (30)	1"x50" (15)	1 in/1 in
	24T110	24T111	24T112	XD7010 Bare Reel, No Motor	86 (39)	600 (41)	1"x75' (23)	1"x100' (30)		
	24T122	24T123	24T124	XD8010, Bare Reel, No Motor	127 (58)	600 (41)	1"x150' (46)			
Fuel	24T116	24T117	24T118	XD7015, Bare Reel, No Motor	87 (39)	600 (41)	1.25"x50' (15)	1.5"x50' (15)	1.5"x65' (20)	1.5 in/1.5 in†
	24T119	24T120	24T121	XD7020, Bare Reel, No Motor	91 (41)	600 (41)	2"x33' (10)			2 in/2 in
	24T128	24T129	24T130	XD8015 Bare Reel, No Motor	129 (58)	600 (41)	1.5"x75' (23)	1.5"x100' (30)		1.5 in/1.5 in†
	24T131	24T132	24T133	XD8020 Bare Reel, No Motor	133 (60)	600 (41)	2"x50' (15)			2 in/2 in
Waste Oil Evac	24T104	24T105	24T106	XD6010 Bare Reel, No Motor	87 (39)	600 (41)	1"x50" (15)			1 in/1 in
	24T116	24T117	24T118	XD7015, Bare Reel, No Motor	87 (39)	600 (41)	1.25"x50' (15)	1.5"x50' (15)		1.5 in/1.5 in†
Oil	24T107	24T108	24T109	XD6010, Bare Reel, No Motor	88 (40)	3000 (207)	1/2"x100' (30)	3/4"x100' (30)	1"x50" (15)	1 in/1 in
	24T113	24T114	24T115	XD7010, Bare Reel, No Motor	87 (39)	3000 (207)	1"x75' (23)	1"x100' (30)		
	24T125	24T126	24T127	XD8010, Bare Reel, No Motor	129 (58)	3000 (207)	1"x150' (46)			

Operating temperature for grease reels is 0° F to 180° F (-18° to 82° C), all others are -40° F to 180° F (-40° to 82° C).
 †Inlet on modular reels do not come standard with Victaulic** style groove. **Victaulic is a trademark of Victaulic Company of America.

Motor Assemblies (Pair with Frame Only Models)

24T889	115 VAC, 0.40 HP, motor assembly, reversible type. For installing motor to bare XD frame
24T886	12 VDC, 1/2 HP motor assembly, reversible type. For installing motor to bare XD frame
24T910	12 VDC, 2/3 HP motor assembly, reversible type. For installing motor to bare XD frame
24T888	24 VDC, 1/2 HP motor assembly, reversible type. For installing motor to bare XD frame
24T911	24 VDC, 2/3 HP motor assembly, reversible type. For installing motor to bare XD frame
24T891	Hydraulic motor assembly, reversible type. For installing motor to bare XD reel
24T892	Pneumatic motor assembly, reversible type. For installing motor to bare XD reel
24T890	230 VAC, 1/2 HP, motor assembly, reversible type. For installing motor to bare XD frame



North America Customer Service **800-533-9655** Fax **800-533-9656**

©2014 Graco Inc. • P.O. Box 1441 • Minneapolis, MN 55440-1441 • 341048 Rev C • 12/14 • Printed in U.S.A.
 All written and visual data contained in this document are based on the latest product information available at the time of publication.
 Graco reserves the right to make changes at any time without notice.

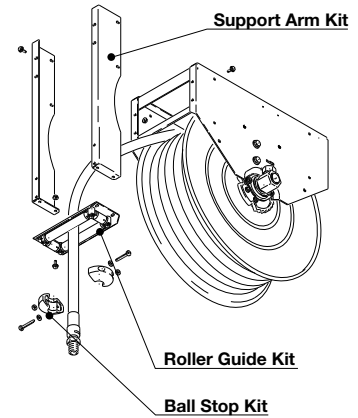
XD 60™, XD 70™ and XD 80™ Motor Driven Hose Reels

Ordering Information



Accessories

Inlet Hose Kits		Pressure psi (bar)	Hose I.D. in (mm)	Length in (mm)	Hose Inlet
24R111	Inlet kit for air/water and oil	1275 (88)	1 (25)	28 (711)	1 in. npt(m)
24R112	Inlet kit for waste oil evacuation	250 (17)	1 (25)	28 (711)	1 in. npt(m)
24R115	Inlet kit for fuel	250 (17)	1 (25)	28 (711)	1 in. npt(m)
24R117	Inlet kit for fuel	150 (10)	1.5 (38)	28 (711)	1.5 in. npt(m)
24R118	Inlet kit for fuel	150 (10)	2 (51)	28 (711)	2 in. npt(m)
Ball Stop Kits					
237873	Ball stop kit used for 3/4 in (19.1 mm) hose				
237874	Ball stop kit used for 1 in (25.4 mm) hose				
24R060	Ball stop kit used for 1.25 in (31.75 mm) hose				
24R061	Ball stop kit used for 1.5 in (38.1 mm) hose				
Arm Kits and Hose Guides					
24T327	Stainless Steel Hose Guide for XD 60				
24T328	Stainless Steel Hose Guide for XD 70				
24T329	Stainless Steel Hose Guide for XD 80				
24R072	Roller Guide Kit with Bracket for XD 40 and XD 60				
24T330	Roller Guide Kit with Bracket for XD 70				
24T331	Roller Guide Kit with Bracket for XD 80				
24T332	Arm Kit with Stainless Steel Hose Guide for XD 60				
24T333	Arm Kit with Stainless Steel Hose Guide for XD 70				
24T334	Arm Kit with Stainless Steel Hose Guide for XD 80				
24T335	Arm Kit with Roller Guide for XD 60				
24T336	Arm Kit with Roller Guide for XD 70				
24T337	Arm Kit with Roller Guide for XD 80				
Controls					
24T875	Hydraulic control module for electric over hydraulic control of XD 60/70/80 hydraulic powered hose reels, 12 VDC, three position, four-way valve.				
24T876	Hydraulic control module for electric over hydraulic control of XD 60/70/80 hydraulic powered hose reels, 24 VDC, three position, four-way valve.				
127224	Hydraulic control module for electric over hydraulic control of XD 60/70/80 hydraulic powered hose reels, 12V, includes switch. 3 Position, 4 way valve.				
127225	Hydraulic control module for electric over hydraulic control of XD 60/70/80 hydraulic powered hose reels, 24V includes switch. 3 Position, 4 way valve.				
127271	Pneumatic valve to control XD 60/70/80 pneumatic powered hose reels. Two position, three-way valve.				
127214	Momentary Push-Button On/Off switch with red rubber cap. Use for 12 or 24 VDC.				
127217	Hazardous location push button On/Off switch. Use for 12 and 24 VDC.				
127223	Hazardous location push button On/Off switch. Use for 115 and 220 VAC.				
127218	Hazardous location junction box				
127219	12 VDC intermittent duty solenoid recommended for activating rewind on 12 VDC motor				
127220	24 VDC intermittent duty solenoid recommended for activating rewind on 24 VDC motor				
127221	Manual reset push button circuit breaker, 50 amp rating				
127222	Manual reset push button circuit breaker, 25 amp rating				



North America Customer Service **800-533-9655** Fax **800-533-9656**

©2014 Graco Inc. • P.O. Box 1441 • Minneapolis, MN 55440-1441 • 341048 Rev C • 12/14 • Printed in U.S.A.

All written and visual data contained in this document are based on the latest product information available at the time of publication. Graco reserves the right to make changes at any time without notice.



www.graco.com



XD 60™, XD 70™ and XD 80™ Motor Driven Hose Reels

Ordering Information

Hoses		Pressure	Hose I.D. in (mm)	
Fuel	24R102	1" x 50ft (15m) coupled fuel hose	250 psi (17)	1 (25)
	24R103	1" x 75ft (23m) coupled fuel hose	250 psi (17)	1 (25)
	24R106	1" x 100ft (30m) coupled fuel hose	250 psi (17)	1 (25)
	24T252	1" x 150ft (46m) coupled fuel hose	250 psi (17)	1 (25)
	24R108	1.25" x 35ft (10.5m) coupled fuel hose	250 psi (17)	1.25 (31.75)
	24R110	1.25" x 50ft (15m) coupled fuel hose	250 psi (17)	1.25 (31.75)
	24R114	1.5" x 50ft (15m) coupled fuel hose	150 psi (11)	1.5 (38)
	24T253	1.5" x 100ft (30m) coupled fuel hose	150 psi (11)	1.5 (38)
	127167	2" x 33ft (10m) coupled fuel hose	150 psi (11)	2 (50.8)
	24T254	2" x 50ft (15m) coupled fuel hose	150 psi (11)	2 (50.8)
Air/Water	126359	1/2" x 100ft (30m) coupled air/water hose	300 psi (20.6)	1/2 (12.7)
	126360	3/4" x 75ft (23m) coupled air/water hose	300 psi (20.6)	3/4 (19)
	126361	3/4" x 100ft (30m) coupled air/water hose	300 psi (20.6)	3/4 (19)
	126362	1" x 50ft (15m) coupled air/water hose	300 psi (20.6)	1 (25)
	126363	1" x 75ft (23m) coupled air/water hose	300 psi (20.6)	1 (25)
Oil	126364	1" x 100ft (30m) coupled air/water hose	300 psi (20.6)	1 (25)
	126375	1/2" x 100ft (30m) coupled oil hose	2000 psi (138)	1/2 (12.7)
	126376	3/4" x 75ft (23m) coupled oil hose	1500 psi (138)	3/4 (19)
	126377	3/4" x 100ft (30m) coupled oil hose	1500 psi (103)	3/4 (19)
	126503	1" x 50ft (15m) coupled oil hose	1275 psi (88)	1 (25)
	126504	1" x 75ft (23m) coupled oil hose	1275 psi (88)	1 (25)
Waste Oil Evac.	126505	1" x 100ft (30m) coupled oil hose	1275 psi (88)	1 (25)
	126379	1" x 50ft (15m) coupled waste oil evac hose	250 psi (17)	1 (25)
	126688	1.25" x 50ft (15m) coupled waste oil evac hose	200 psi (13.8)	1.25 (31.75)
	126380	1.25" x 35 ft (10.5 m) coupled waste oil evac hose	200 psi (13.8)	1.25 (31.75)
127173	1.5" x 50 ft (15m) coupled waste oil evac hose	200 psi (13.8)	1 (25)	

BSPP/BSPT Conversion Kits

24T359	BSPP Conversion Kit. To convert a 1" XD 60 or XD 80 reel from NPT to BSPP.
24T361	BSPP Conversion Kit. To convert a 1" XD 70 reel from NPT to BSPP.
24T365	BSPP Conversion Kit. To convert a 1.5" XD 70 from NPT to BSPP.
24T363	BSPP Conversion Kit. To convert a 1.5" XD 80 from NPT to BSPP.
24T360	BSPT Conversion Kit. To convert a 1" XD 60 or XD 80 reel from NPT to BSPT.
24T362	BSPT Conversion Kit. To convert a 1" XD 70 reel from NPT to BSPT.
24T366	BSPT Conversion Kit. To convert a 1.5" XD 70 from NPT to BSPT.
24T364	BSPT Conversion Kit. To convert a 1.5" XD 80 from NPT to BSPT.
24T368	BSPT Conversion Kit. To convert a 2" XD 70 from NPT to BSPT.
24T367	BSPT Conversion Kit. To convert a 2" XD 80 from NPT to BSPT.

North America Customer Service **800-533-9655** Fax **800-533-9656**

©2014 Graco Inc. • P.O. Box 1441 • Minneapolis, MN 55440-1441 • 341048 Rev C • 12/14 • Printed in U.S.A.

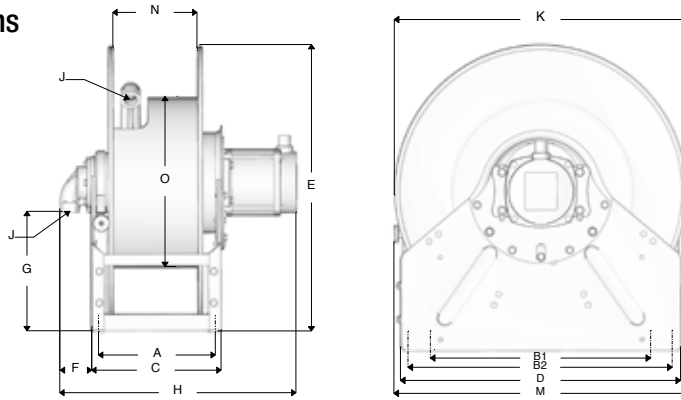
All written and visual data contained in this document are based on the latest product information available at the time of publication. Graco reserves the right to make changes at any time without notice.

XD 60™, XD 70™ and XD 80™ Motor Driven Hose Reels

Tech Sheet



Dimensions



Model	Power Source	A	B1	B2	C	D	E	F	G	H	J	K	M	N	O	P
		(inches)														
XD 6010	Pneumatic	10.45	22.25	na	11.8	24.0	26.1	2.8	10.9	20.4	1" npt	25.0	26.0	7.8	15.5	0.437
XD 6010	Hydraulic	10.45	22.25	na	11.8	24.0	26.1	2.8	10.9	15.7	1" npt	25.0	26.0	7.8	15.5	0.437
XD 6010	Electric	10.45	22.25	na	11.8	24.0	26.1	2.8	10.9	21.6	1" npt	25.0	26.0	7.8	15.5	0.437
XD 7010	Pneumatic	12.95	22.25	na	14.3	24.0	26.1	2.8	10.9	22.9	1" npt	25.0	26.0	10.0	10.0	0.437
XD 7010	Hydraulic	12.95	22.25	na	14.3	24.0	26.1	2.8	10.9	18.2	1" npt	25.0	26.0	10.0	10.0	0.437
XD 7010	Electric	12.95	22.25	na	14.3	24.0	26.1	2.8	10.9	24.1	1" npt	25.0	26.0	10.0	10.0	0.437
XD7015	Pneumatic	12.95	22.25	na	14.3	24.0	26.1	3.6	10.9	23.7	1.5" npt	25.0	26.0	10.0	10.0	0.437
XD7015	Hydraulic	12.95	22.25	na	14.3	24.0	26.1	3.6	10.9	19.0	1.5" npt	25.0	26.0	10.0	10.0	0.437
XD7015	Electric	12.95	22.25	na	14.3	24.0	26.1	3.6	10.9	24.8	1.5" npt	25.0	26.0	10.0	10.0	0.437
XD7020	Pneumatic	12.95	22.25	na	14.3	24.0	26.1	4.0	10.2	24.1	2" npt	25.0	26.0	10.0	10.0	0.437
XD7020	Hydraulic	12.95	22.25	na	14.3	24.0	26.1	4.0	10.2	19.4	2" npt	25.0	26.0	10.0	10.0	0.437
XD7020	Electric	12.95	22.25	na	14.3	24.0	26.1	4.0	10.2	25.2	2" npt	25.0	26.0	10.0	10.0	0.437
XD8010	Pneumatic	20.68	22.25	26.73	22.1	28.5	30.1	2.8	13.4	30.7	1" npt	28.0	30.4	18.0	15.5	0.437
XD8010	Hydraulic	20.68	22.25	26.73	22.1	28.5	30.1	2.8	13.4	26.0	1" npt	28.0	30.4	18.0	15.5	0.437
XD8010	Electric	20.68	22.25	26.73	22.1	28.5	30.1	2.8	13.4	31.8	1" npt	28.0	30.4	18.0	15.5	0.437
XD8015	Pneumatic	20.68	22.25	26.73	22.1	28.5	30.1	3.6	13.4	31.4	1.5" npt	28.0	30.4	18.0	15.5	0.437
XD8015	Hydraulic	20.68	22.25	26.73	22.1	28.5	30.1	3.6	13.4	26.7	1.5" npt	28.0	30.4	18.0	15.5	0.437
XD8015	Electric	20.68	22.25	26.73	22.1	28.5	30.1	3.6	13.4	32.5	1.5" npt	28.0	30.4	18.0	15.5	0.437
XD8020	Pneumatic	20.68	22.25	26.73	22.1	28.5	30.1	4.0	12.7	31.9	2" npt	28.0	30.4	18.0	15.5	0.437
XD8020	Hydraulic	20.68	22.25	26.73	22.1	28.5	30.1	4.0	12.7	27.1	2" npt	28.0	30.4	18.0	15.5	0.437
XD8020	Electric	20.68	22.25	26.73	22.1	28.5	30.1	4.0	12.7	33.0	2" npt	28.0	30.4	18.0	15.5	0.437
		(mm)														
XD 6010	Pneumatic	265	565	na	300	610	663	71	277	519	1" npt	635	660	198	394	11
XD 6010	Hydraulic	265	565	na	300	610	663	71	277	400	1" npt	635	660	198	394	11
XD 6010	Electric	265	565	na	300	610	663	71	277	547	1" npt	635	660	198	394	11
XD 7010	Pneumatic	329	565	na	363	610	663	71	277	583	1" npt	635	660	254	254	11
XD 7010	Hydraulic	329	565	na	363	610	663	71	277	463	1" npt	635	660	254	254	11
XD 7010	Electric	329	565	na	363	610	663	71	277	611	1" npt	635	660	254	254	11
XD7015	Pneumatic	329	565	na	363	610	663	91	277	603	1.5" npt	635	660	254	254	11
XD7015	Hydraulic	329	565	na	363	610	663	91	277	483	1.5" npt	635	660	254	254	11
XD7015	Electric	329	565	na	363	610	663	91	277	631	1.5" npt	635	660	254	254	11
XD7020	Pneumatic	329	565	na	363	610	663	102	259	613	2" npt	635	660	254	254	11
XD7020	Hydraulic	329	565	na	363	610	663	102	259	493	2" npt	635	660	254	254	11
XD7020	Electric	329	565	na	363	610	663	102	259	641	2" npt	635	660	254	254	11
XD8010	Pneumatic	525	565	679	561	724	765	71	340	779	1" npt	711	772	457	394	11
XD8010	Hydraulic	525	565	679	561	724	765	71	340	659	1" npt	711	772	457	394	11
XD8010	Electric	525	565	679	561	724	765	71	340	807	1" npt	711	772	457	394	11
XD8015	Pneumatic	525	565	679	561	724	765	91	340	799	1.5" npt	711	772	457	394	11
XD8015	Hydraulic	525	565	679	561	724	765	91	340	679	1.5" npt	711	772	457	394	11
XD8015	Electric	525	565	679	561	724	765	91	340	827	1.5" npt	711	772	457	394	11
XD8020	Pneumatic	525	565	679	561	724	765	102	323	809	2" npt	711	772	457	394	11
XD8020	Hydraulic	525	565	679	561	724	765	102	323	689	2" npt	711	772	457	394	11
XD8020	Electric	525	565	679	561	724	765	102	323	837	2" npt	711	772	457	394	11

North America Customer Service **800-533-9655** Fax **800-533-9656**

©2014 Graco Inc. • P.O. Box 1441 • Minneapolis, MN 55440-1441 • 341048 Rev C • 12/14 • Printed in U.S.A.

All written and visual data contained in this document are based on the latest product information available at the time of publication. Graco reserves the right to make changes at any time without notice.



www.graco.com