

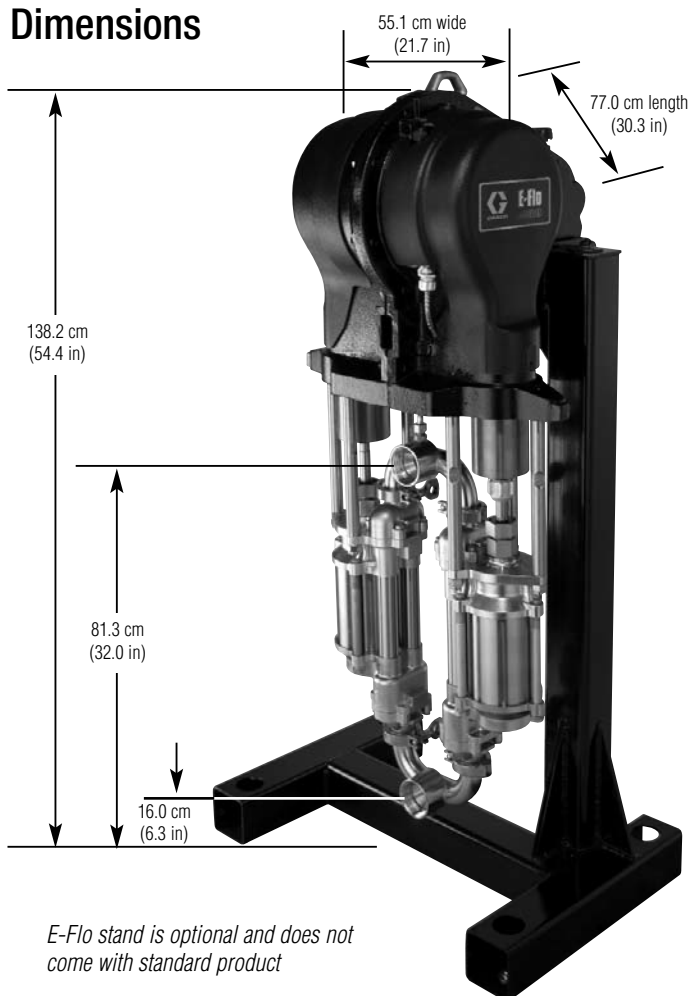
E-Flo™

Electric Circulating Pumps

Get the benefits of a piston pump with the energy efficiency of an electric drive unit!

- Dual midrange High-Flo stainless steel lowers operating out of phase for lower pressure variation
- Online maintenance simplifies repair and reduces downtime
- Include a Graco programmed VFD for less pressure variation, as well as, integrated overpressure protection and remote monitoring of performance via computer or PLC
- Pneumatically controlled BPR (back pressure regulator) remotely reduces fluid pressure during off-production operation and extends material integrity and realizes further energy cost savings

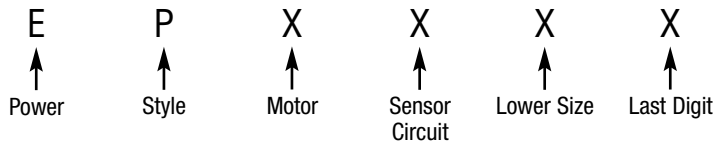
Dimensions



Technical Specifications

Pump	E-Flo 4000	E-Flo 3000	E-Flo 2000	E-Flo 1500
Max Fluid Pressure	17 bar (250 psi)	23 bar (330 psi)	32 bar (460 psi)	34.5 bar (500 psi)
Flow at 20 cpm	85.5 lpm (22.6 gpm)	61 lpm (16.2 gpm)	45 lpm (12 gpm)	31 lpm (8.1 gpm)
Volume per Cycle	4278 cc (144.6 oz)	3070 cc (105 oz)	2263 cc (76.5 oz)	1537 cc (52 oz)
Inlet/Outlet	2 inch Tri-Clamp	2 inch Tri-Clamp	2 inch Tri-Clamp	1-1/2 inch Tri-Clamp
Weight	250 kg (550 lb)	245 kg (540 lb)	234 kg (516 lb)	209 kg (460 lb)

Ordering Information



Power	Style	Motor	Sensor Circuit	Lower Size	Stand
E = Electric	P = Pump	0 = No Motor 1 = 230/400V ATEX (5 HP) 3 = 230/400V ATEX (3 HP)*	0 = No sensor Circuit 1 = Installed	1 = 1000 cc Chromex™ 2 = 1500 cc Chromex™ 3 = 2000 cc Chromex™ 4 = 1000 cc Maxlife® 5 = 1500 cc Maxlife® 6 = 2000 cc Maxlife® 7 = 750 cc Chromex™	0 = No Stand 1 = Installed

(*) The 3HP motor is only offered in combination with 750 cc lowers!

Standard Kits

	E-Flo 4000	E-Flo 3000	E-Flo 2000	E-Flo 1500
UHMWPE piston seal kit	277358	277362	277360	289548
UHMWPE/Leather throat seal kit	277357	277357	277357	277357
Chromex piston rod	15H280	15H280	15H280	15H280
Maxlife piston rod	15H589	15H589	15H589	15H589
Chrome cylinder	15G882	183048	183047	183049
Maxlife cylinder	15H451	15H453	15H452	-

Lowers

	E-Flo 4000	E-Flo 3000	E-Flo 2000	E-Flo 1500
Stainless Steel Cromex	253522	253521	253520	289366
Stainless Steel Maxlife	253525	253524	253523	-

Manifold Assembly

	E-Flo 4000	E-Flo 3000	E-Flo 2000	E-Flo 1500
Stainless Steel Cromex	15J749	15J748	15J747	289553
Stainless Steel Maxlife	15J752	15J751	15J750	-

Optional Kits

	E-Flo 4000	E-Flo 3000	E-Flo 2000	E-Flo 1500
PTFE Piston Seal Kit	277359	277363	277361	289549
PTFE Throat Seal Kit	239866	239866	239866	239866
Leather throat seal kit	277356	277356	277356	277356

Accessories

<p>15H884 Floor Stand Durable floor stand to mount pump including mounting hardware</p> <p>15J753 200/240 V Graco Programmed VFD kit Kit includes programmed VFD, braking resistors, AppsLite module</p> <p>15J754 380/480 V Graco Programmed VFD kit Kit includes programmed VFD, braking resistors, AppsLite module</p> <p>208997 Back Pressure Regulator</p> <p>120991 Local I/O Box Local explosion proof pump control box</p> <p>15H885 Ethernet Upgrade Kit Kit enables Ethernet connection from the Graco supplied VFD.</p>	<p>15J423 Inlet/Outlet Fitting for 2" Tri-Clamp to 2" NPT</p> <p>15J639 Inlet/Outlet Fitting for 2" Tri-Clamp to 1-1/2" Tri-Clamp</p> <p>15J422 Inlet/Outlet Fitting for 1-1/2" Tri-Clamp to 1-1/2" NPT</p> <p>15J755 Sensor Circuit Kit</p> <p>288117 Pneumatic Back Pressure Regulator, 1-1/4" NPT</p> <p>288262 Pneumatic Back Pressure Regulator, 2" Tri-Clamp</p> <p>288311 Pneumatic Back Pressure Regulator, 1-1/2" NPT</p> <p>288414 Gear Box Lubricant, 12 pack carton</p>
--	---

Manuals

311553 E-Flo operations manual	311596 VFC manual
311592 E-Flo installation manual	311595 Pneumatic BPR manual
311594 E-Flo repair parts manual	311606 Pneumatic BPR/VFC manual