



750 SERIES™

NEW!

1.25 in (3.13 cm) Hose Reel



Model number shown: 245410

Heavy-Duty Hose Reel for High Volume Applications

750 SERIES Features and Benefits

Features

- Heavy-duty, high volume reel
- Industrial-grade paint for high abrasion and corrosion resistance
- Full-flow shaft and ball bearing swivel
- Heavy-duty brackets and springs
- Rugged base and hose rollers
- Heavy-duty latch mechanism

Benefits

- Ideal for fuel dispense
- Reels are durable and long-lasting for maximum life in the toughest environments
- Ensures consistent, maximum product delivery
- Eliminates bending due to angular hose pull and provides smooth, automatic hose retrieval
- Enables wall, floor, ceiling, pit or truck mounting
- Maintains desired length of hose and assures positive latch and rewind

PROVEN QUALITY. LEADING TECHNOLOGY.

750 SERIES HOSE REEL

For further information, contact your local Graco Distributor.

Technical Specifications

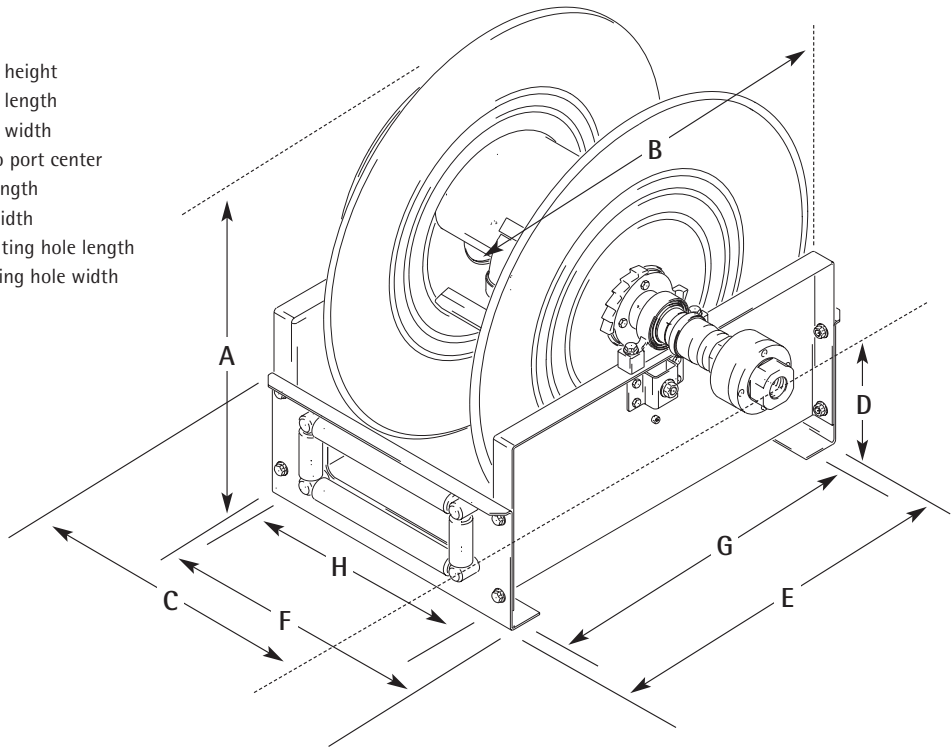
Dimensions	26.25 in L x 26.25 in H x 17.5 in W (667 mm L x 667 mm H x 445 mm W)
Inlet size	1-1/4 npt(f)
Outlet size	1-1/2 npt(f)
Working temperature	150° F (65° C)
Weight	125 lbs (57 kg)
Maximum working pressure	375 psi (26 bar; 2.6 MPa)
Hose capacity (not included)	50 ft (15.2m) x 1.25 in ID Hose
Manual	309442

Ordering Information

245410	750 Series™ 1.25 in (31.7 mm) Fuel Reel Includes bare reel with straight swivel
198985	Hose Stop Accessory

Dimensions

- A. 26.25 in (667 mm) overall height
- B. 26.25 in (667 mm) overall length
- C. 24.50 in (622 mm) overall width
- D. 13.75 in (349 mm) base to port center
- E. 24.25 in (616 mm) base length
- F. 17.50 in (445 mm) base width
- G. 22.125 in (562 mm) mounting hole length
- H. 13.25 in (337 mm) mounting hole width



Call today for more information
or to find the authorized distributor nearest you:

PHONE: **800.533.9655**

FAX: **800.533.9656**

Or, visit us at **www.graco.com**

