



### Important Safety Instructions

Read all warnings and instructions in this manual.  
Save these instructions.

First choice when  
quality counts.™

MODEL 204867

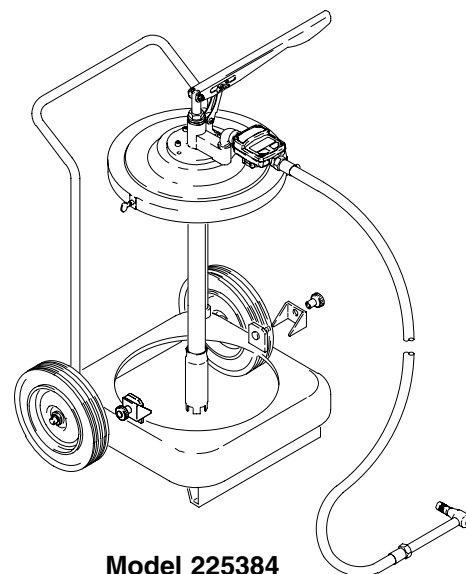
## Hand Pump Assembly

HAND-OPERATED, 120-LB SIZE

## Gear Lube Dispensers

175 psi (1.2 MPa, 12 bar) Maximum Working Pressure

Model	Mounting	Cover	Meter
225376, Series B	Portable Base	Cover	inline, electronic
225378, Series A	Portable Base	Cover	None
225380, Series A	None	Cover	None
225384, Series B	Portable Truck	Cover	inline, electronic



Model 225384

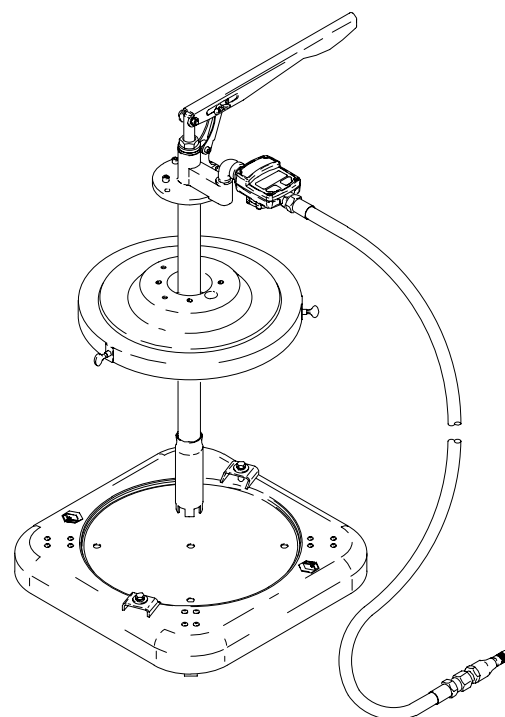
06789A

HAND-OPERATED, 16-GALLON SIZE

## Automatic Transmission Fluid Dispenser

175 psi (1.2 MPa, 12 bar) Maximum Working Pressure

Model	Mounting	Cover	Meter
225880, Series B	Portable Base	Cover	inline, electronic



Model 225880

06790A

GRACO INC. P.O. BOX 1441 MINNEAPOLIS, MN 55440-1441

<http://www.graco.com>

©COPYRIGHT 1993, GRACO INC.

Graco Inc. is registered to I.S. EN ISO 9001

# Table of Contents

Installation .....	3
Operation .....	4
Dimensions Chart .....	4
Service .....	6
Parts	
Hand Pump Assembly, Model 204867 .....	7
Gear Lube Dispensers, Models 225378, 225376, 225380 .....	8
Gear Lube Dispenser, Model 225384 .....	9
Automatic Transmission Fluid Dispenser, Model 225880 .....	10
Truck Assembly, Model 203650 .....	10
Portable Base Assembly, Model 203622 .....	11
Hose and Meter Assemblies, Models 239707, 239705 .....	11
Warranty .....	12
Graco Phone Number .....	12

# Installation

See Fig.1 or Fig. 2, depending on your model.

## Models with a Portable Truck

Insert the truck handle (708) into the sockets in the truck base (701).

## All Models

Place a full container of fluid on the base. Carefully clean the container top before opening it to avoid fluid contamination. Secure the drum or shield (401) with the hardware provided.

## Models with a Drum Cover

Install the drum cover (601) on the opened drum and secure it with the thumbscrews (603).

## All Models

Slide the pump extension tube (318) all the way down on the riser tube (314). Insert the riser tube into the opening in the top of the shield (401) or cover (601). Lower the pump until the outlet housing (319) rests on the shield or cover and secure it with the four screws (309). Install the pump lever (316), clevis (311), and hose and meter assembly (2 or 5).

To prime the pump, open the nozzle (502) and operate the pump until fluid flows from the nozzle. Close the nozzle and place it in the opening in the outlet housing (319).

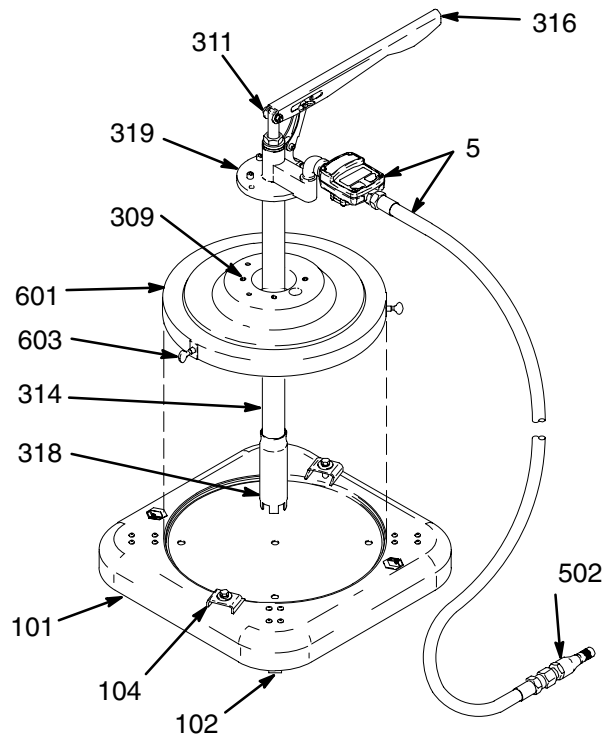


Fig. 1

06782A

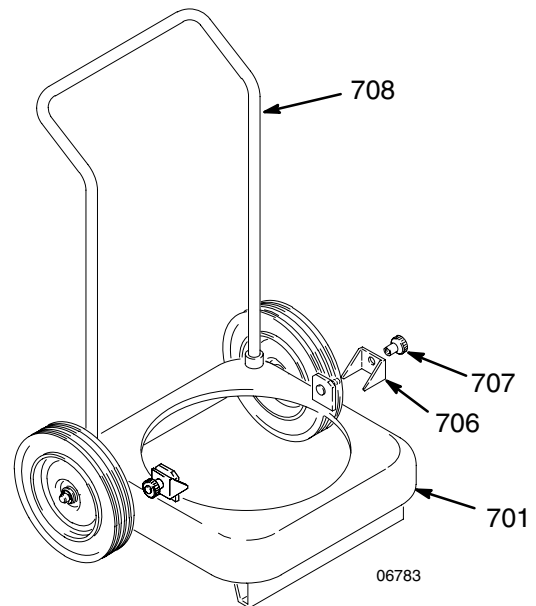


Fig. 2

06783

# Operation

## CAUTION

To avoid contamination when changing drums, do not let the pump's intake valve touch the floor or any dirty surface.

Reset the meter to zero by pressing the **RESET** button.

Insert the nozzle in the fill hole. Open the nozzle and operate the pump. When finished, close the nozzle and wipe off any excess fluid. Place the nozzle in the opening in the outlet housing.

If the meter fails to register, it may be due to a low battery. See the **Service** section in instruction manual 308687.

### **Models with Non-Drip Nozzle 200–348**

The non-drip nozzle can be set in the automatic position by turning it two or more turns counterclockwise.

## Dimension Chart

Model No.	Height in. (mm)	Width inch (mm)	Weight lb (kg)
225376	37 (940)	19 (483)	36 (16)
225378	37 (940)	19 (483)	34 (15)
225380	35 (889)	16 (406)	18 (8)
225384	39 (991)	24 (610)	49 (22)
225880	37 (940)	19 (483)	35 (16)



# Service

## Pump Service

**NOTE:** Clean all parts in non-flammable solvent. Dry all parts thoroughly before reassembly.

1. Remove the pump from the cover or shield.
2. Slide the extension (318) up the riser tube (314) to expose the intake valve (302).
3. Unscrew the intake valve (302) from the riser tube (314). Disassemble the intake valve and clean and inspect the parts. Replace worn or damaged parts.
4. Unscrew the riser tube (314) from the outlet housing (319).
5. Pull the riser tube down off the connecting rod (320) and piston (301).
6. Unscrew the piston (301) from the connecting rod (320). Disassemble the piston and clean and inspect the parts. Replace worn or damaged parts.
7. Loosen the packing nut (312).
8. Disconnect the rod (320) from the pump lever (316). Pull the connecting rod down out of the outlet housing (319).
9. Unscrew the packing nut (312) and remove the packings (313). Clean and inspect the parts. Replace worn or damaged parts.
10. Reassemble the pump in the reverse order, following the lubrication and sealant notes in Fig. 3. Tighten the packing nut (312) just enough to stop leakage.

Hand Pump Assembly, Model 204-867,  
Series A

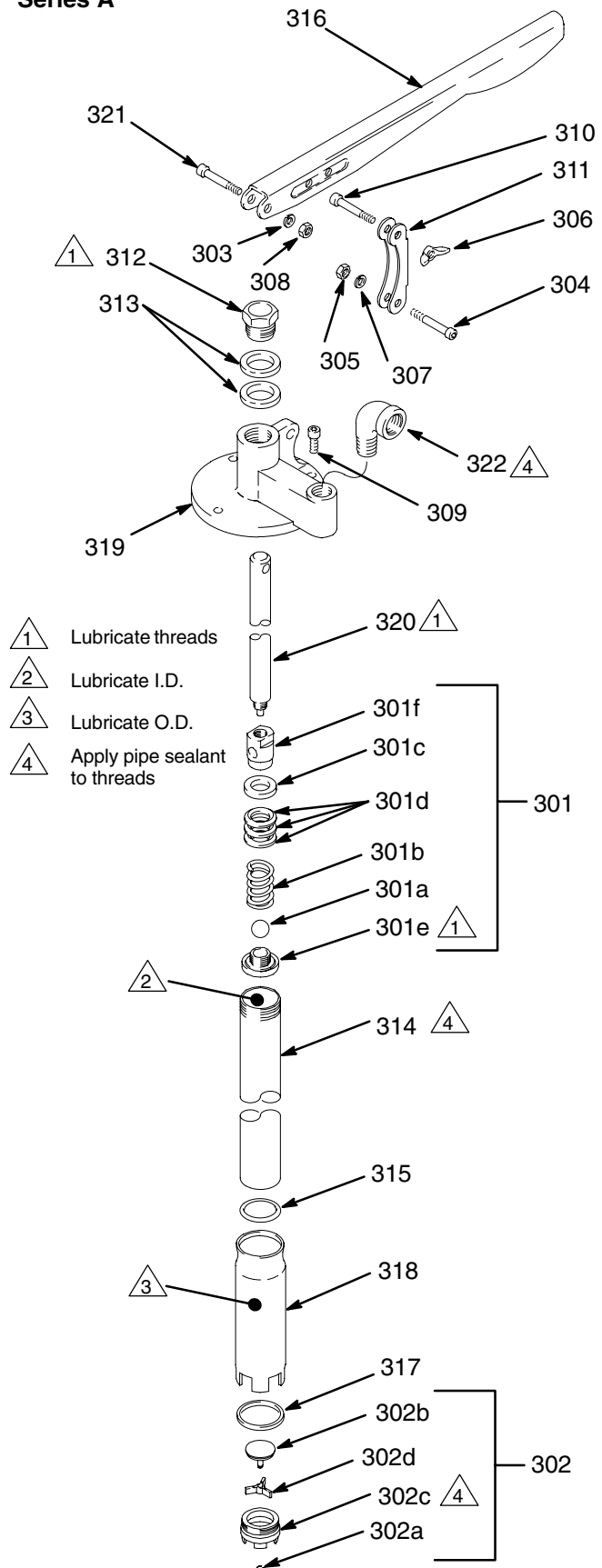


Fig. 3

06784A

# Parts

## Ref No. 3, Model 204867, Series A Hand Pump Assembly

See **Parts Drawing** in Fig. 3.

Ref No.	Part No.	Description	Qty.	Ref No.	Part No.	Description	Qty.
301	200753	PISTON ASSEMBLY Includes items 301a to 301f	1	308	100340	NUT, hex, 3/8-16	1
301a	100114	.BALL, steel, 7/16 in. dia.	1	309	101120	SCREW, rd hd, 1/4-20 x 1-1/4 in.	4
301b	150134	.SPRING, compression	1	310	150662	SCREW, pivot	1
301c	150463	.GLAND, male	1	311	150726	CLEVIS	1
301d*	150464	.V-PACKING, leather	3	312	154513	PACKING NUT	1
301e	150465	.SEAT, piston	1	313*	154514	PACKING, duck and neoprene	2
301f	152559	.HOUSING, piston	1	314	156511	RISER TUBE	1
302	202162	INTAKE VALVE HOUSING Includes items 302a to 302d	1	315	156593	O-RING, nitrile rubber	1
302a	101021	.RING, retaining	1	316	158769	LEVER, pump handle	1
302b	156738	.VALVE, poppet	1	317	159487	SPACER	1
302c	156739	.BODY, valve	1	318	159488	TUBE, extension	1
302d	156750	.GUIDE, poppet	1	319	159923	HOUSING, outlet	1
303	100133	LOCKWASHER, spring, 3/8 in.	1	320	159930	CONNECTING ROD	1
304	100184	CAPSCREW, hex, 5/16-24 x 1 in.	1	321	159931	SCREW, pivot	1
305	100187	NUT, hex, 5/16-24	1	322	100119	ELBOW, 1/2 npt	1
306	100191	NUT, wing, 5/16-18	1				
307	100214	LOCKWASHER, spring, 5/16 in.	1				

*\* Keep spare on hand to reduce down time.*

# Parts

## Gear Lube Dispenser

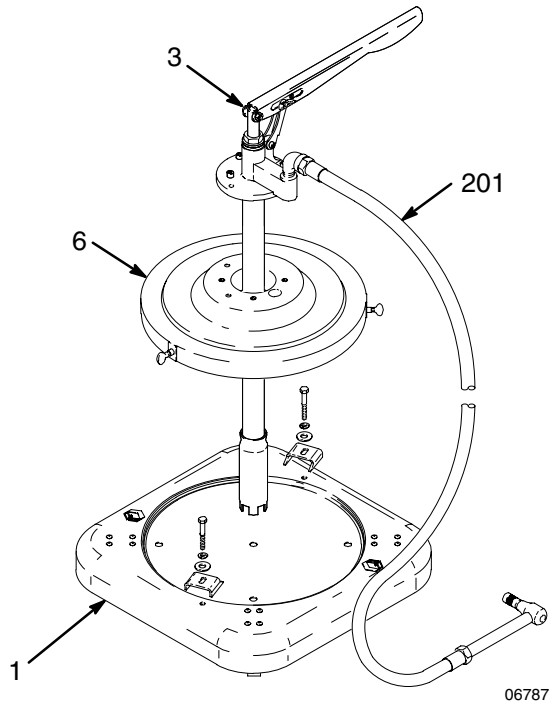
### Model 225378, Series A without meter

Includes items 1, 3, 6, 201

### Model 225376, Series B with meter

Includes items 1, 2, 3, 6

Ref No.	Part No.	Description	Qty
1	203622	PORTABLE BASE ASSEMBLY See separate Parts List, page 11	1
2	239705	HOSE & METER ASSEMBLY See separate Parts List, page 11	1
3	204867	HAND PUMP ASSEMBLY See separate Parts List, page 7	1
6	204574	COVER ASSEMBLY See manual 306-345	1
201	214658	HOSE ASSEMBLY <i>Model 225378 only</i> Includes items 201a to 201c; See separate Parts List on page 11, under Ref No. 2, Hose & Meter Assembly	1

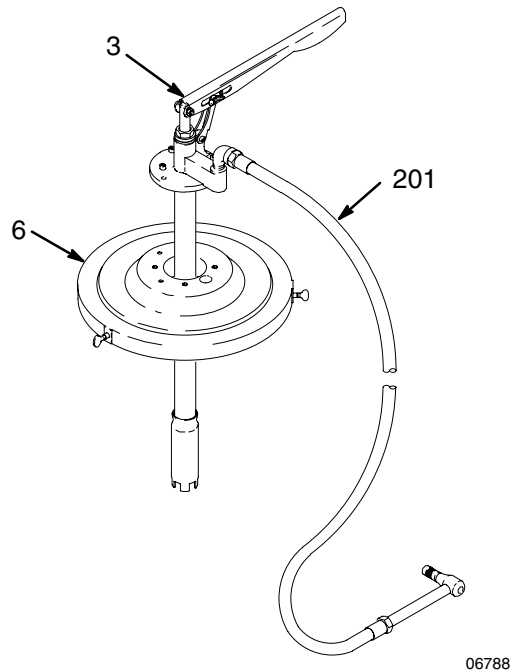


## Gear Lube Dispenser

### Model 225380, Series A

Includes items 3, 6, 201

Ref No.	Part No.	Description	Qty
3	204867	HAND PUMP ASSEMBLY See separate Parts List, page 7	1
6	204574	COVER ASSEMBLY See manual 306345	1
201	214658	HOSE ASSEMBLY <i>Model 225378 only</i> Includes items 201a to 201c; See separate parts list on page 11, under Ref No. 2, Hose & Meter Assembly	1



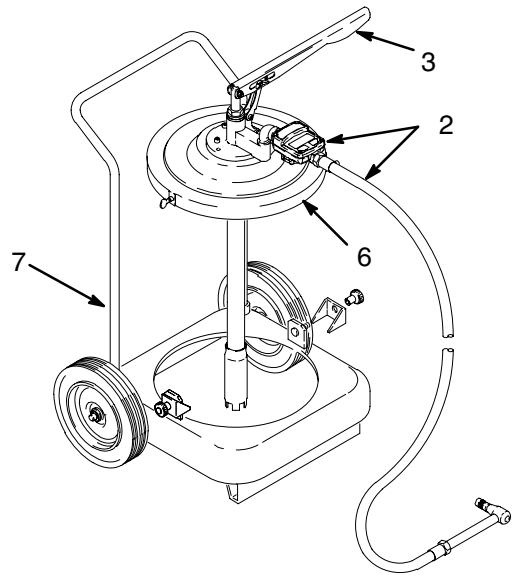


# Parts

## Gear Lube Dispenser

Model 225384, Series B

Ref No.	Part No.	Description	Qty
2	239705	HOSE & METER ASSEMBLY See separate Parts List, page 11	1
3	204867	HAND PUMP ASSEMBLY See separate Parts List, page 7	1
6	204574	COVER ASSEMBLY See manual 306345	1
7	203650	TRUCK ASSEMBLY See separate Parts List, page 10	1



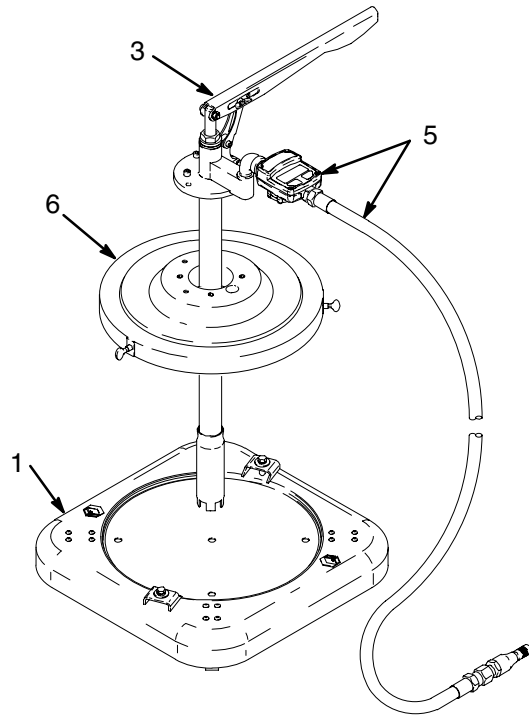
06789A

# Parts

## Automatic Transmission Fluid Dispenser

### Model 225880, Series B

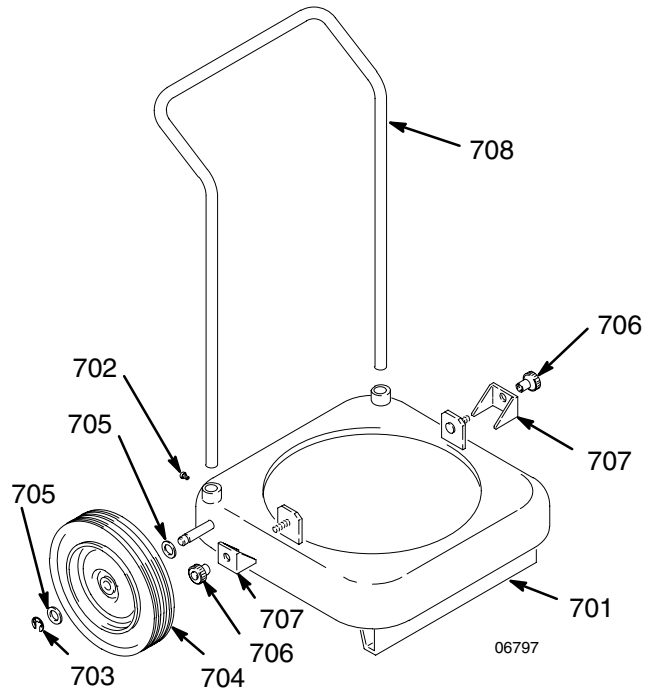
Ref No.	Part No.	Description	Qty
1	203622	PORTABLE BASE ASSEMBLY See separate Parts List, page 11	1
3	204867	HAND PUMP ASSEMBLY See separate Parts List, page 7	1
5	239707	DISPENSE KIT, metered See separate Parts List, page 11	1
6	204574	COVER ASSEMBLY See manual 306345	1



06790A

### Ref No. 7, Part No. 203650, Series A Truck Assembly,

Ref No.	Part No.	Description	Qty
701	203651	TRUCK BASE	1
702	100609	SCREW, rd hd, 1/4-20 x 3/8 in.	2
703	101242	RETAINING RING	2
704	101251	WHEEL	2
705	154636	WASHER	4
706	159912	THUMBNUIT	2
707	159913	HOLD DOWN CLAMP, steel drums only	2
708	159924	TRUCK HANDLE	1

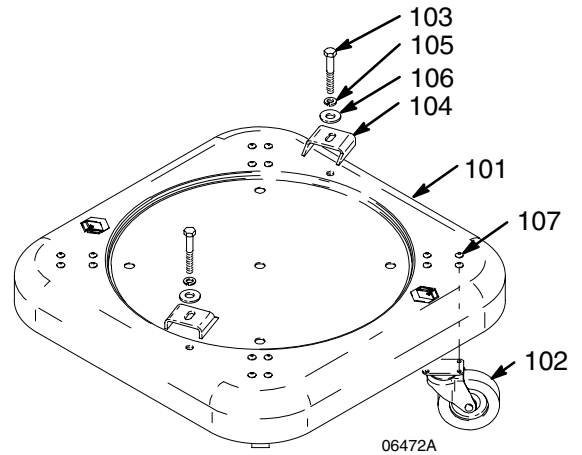


06797

# Parts

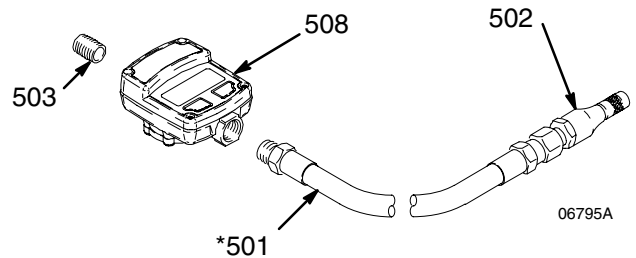
## Ref No. 1, Part No. 203622, Series B Portable Base Assembly

Ref No.	Part No.	Description	Qty.
101	191750	BASE, drum	1
102	113646	CASTER; polyurethane	4
103	102547	BOLT, hex hd; 5/16 in.–18 x 1.5 in.	2
104	191747	BRACKET	2
105	100214	WASHER, lock	2
106	100132	WASHER, flat	2
107	113660	RIVET	16



## Ref No. 5, Part No. 239707, Series A Metered Dispense Kit

Ref No.	Part No.	Description	Qty.
501*	214657	HOSE, fluid, cpld 1/2 npt(m) x 1/4 npt(f); 1/2 in. ID, 5 ft long	1
502	203469	NON-DRIP NOZZLE	1
503	158491	NIPPLE, 1/2 npt	1
508	239824	METER, inline electronic	1

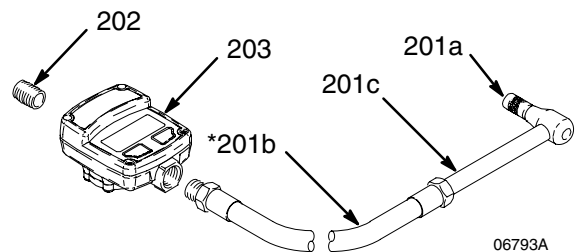


*\*Keep spare on hand to reduce down time.*

## Ref No. 2, Part No. 239705, Series A Hose and Meter Assembly

Includes items 201, 202, 203

Ref No.	Part No.	Description	Qty.
201	214658	HOSE ASSEMBLY Includes items 201a to 201c	1
201a	200348	.NON-DRIP NOZZLE	1
201b*	214657	.HOSE, fluid, cpld 1/2 npt(m) x 1/4 npt(f), 1/2 in. ID, 5 ft long	1
201c	100200	.NIPPLE, 1/4 npt, 6 in. long	1
202	158491	NIPPLE, 1/2 npt	1
203	239824	METER, inline electronic	1



*\*Keep spare on hand to reduce down time.*

# Graco Standard Warranty

Graco warrants all equipment manufactured by Graco and bearing its name to be free from defects in material and workmanship on the date of sale to the original purchaser for use. With the exception of any special, extended, or limited warranty published by Graco, Graco will, for a period of twelve months from the date of sale, repair or replace any part of the equipment determined by Graco to be defective. This warranty applies only when the equipment is installed, operated and maintained in accordance with Graco's written recommendations.

This warranty does not cover, and Graco shall not be liable for general wear and tear, or any malfunction, damage or wear caused by faulty installation, misapplication, abrasion, corrosion, inadequate or improper maintenance, negligence, accident, tampering, or substitution of non-Graco component parts. Nor shall Graco be liable for malfunction, damage or wear caused by the incompatibility of Graco equipment with structures, accessories, equipment or materials not supplied by Graco, or the improper design, manufacture, installation, operation or maintenance of structures, accessories, equipment or materials not supplied by Graco.

This warranty is conditioned upon the prepaid return of the equipment claimed to be defective to an authorized Graco distributor for verification of the claimed defect. If the claimed defect is verified, Graco will repair or replace free of charge any defective parts. The equipment will be returned to the original purchaser transportation prepaid. If inspection of the equipment does not disclose any defect in material or workmanship, repairs will be made at a reasonable charge, which charges may include the costs of parts, labor, and transportation.

**THIS WARRANTY IS EXCLUSIVE, AND IS IN LIEU OF ANY OTHER WARRANTIES, EXPRESS OR IMPLIED, INCLUDING BUT NOT LIMITED TO WARRANTY OF MERCHANTABILITY OR WARRANTY OF FITNESS FOR A PARTICULAR PURPOSE.**

Graco's sole obligation and buyer's sole remedy for any breach of warranty shall be as set forth above. The buyer agrees that no other remedy (including, but not limited to, incidental or consequential damages for lost profits, lost sales, injury to person or property, or any other incidental or consequential loss) shall be available. Any action for breach of warranty must be brought within two (2) years of the date of sale.

Graco makes no warranty, and disclaims all implied warranties of merchantability and fitness for a particular purpose in connection with accessories, equipment, materials or components sold but not manufactured by Graco. These items sold, but not manufactured by Graco (such as electric motors, switches, hose, etc.), are subject to the warranty, if any, of their manufacturer. Graco will provide purchaser with reasonable assistance in making any claim for breach of these warranties.

In no event will Graco be liable for indirect, incidental, special or consequential damages resulting from Graco supplying equipment hereunder, or the furnishing, performance, or use of any products or other goods sold hereto, whether due to a breach of contract, breach of warranty, the negligence of Graco, or otherwise.

## **FOR GRACO CANADA CUSTOMERS**

The parties acknowledge that they have required that the present document, as well as all documents, notices and legal proceedings entered into, given or instituted pursuant hereto or relating directly or indirectly hereto, be drawn up in English. Les parties reconnaissent avoir convenu que la rédaction du présente document sera en Anglais, ainsi que tous documents, avis et procédures judiciaires exécutés, donnés ou intentés à la suite de ou en rapport, directement ou indirectement, avec les procédures concernées.

# Graco Phone Number

**TO PLACE AN ORDER**, contact your Graco distributor, or call this number to identify the distributor closest to you:  
**1-800-533-9655 Toll Free**

*All written and visual data contained in this document reflects the latest product information available at the time of publication.  
Graco reserves the right to make changes at any time without notice.*

MM 306436

**Graco Headquarters:** Minneapolis  
**International Offices:** Belgium, China, Japan, Korea

**GRACO INC. P.O. BOX 1441 MINNEAPOLIS, MN 55440-1441**

**<http://www.graco.com>**

August 1957, Revised 07/2007