

# Instructions–Parts List



ALUMINUM AND STAINLESS STEEL, 1:1 RATIO

## Triton<sup>®</sup> 308 Spray Packages

309304P  
EN

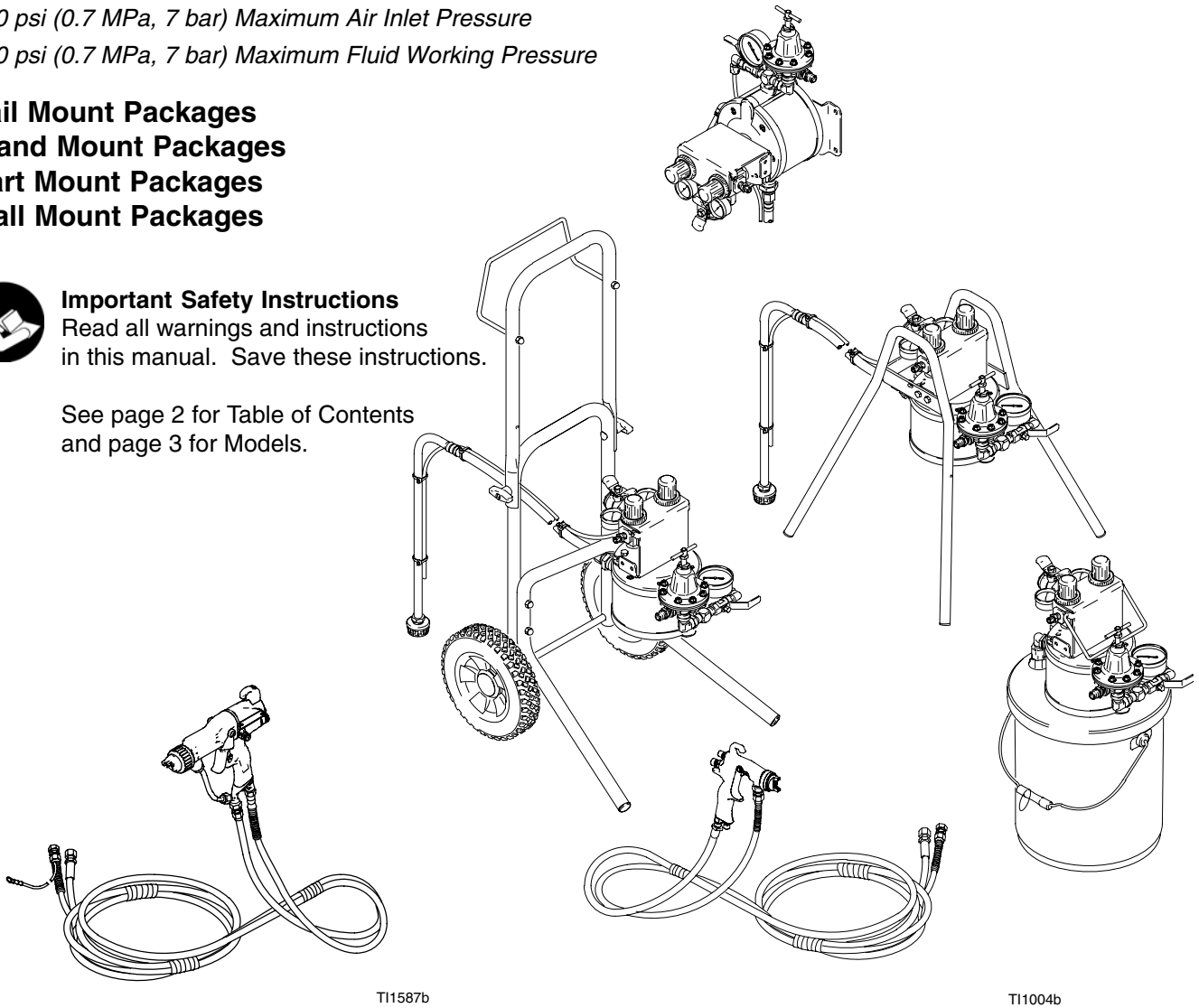
100 psi (0.7 MPa, 7 bar) Maximum Air Inlet Pressure  
100 psi (0.7 MPa, 7 bar) Maximum Fluid Working Pressure

- Pail Mount Packages
- Stand Mount Packages
- Cart Mount Packages
- Wall Mount Packages



**Important Safety Instructions**  
Read all warnings and instructions  
in this manual. Save these instructions.

See page 2 for Table of Contents  
and page 3 for Models.



T11587b

T11004b

**Electrostatic packages**

**Air Spray packages and HVLP packages**



# Table of Contents

Models .....	3
Warnings .....	4
Component Identification .....	6
Installation .....	7
Maintenance .....	11
Troubleshooting .....	11
Parts List and Parts Drawing	
Pail Mount .....	12
Stand Mount .....	14
Cart Mount .....	16
Wall Mount .....	18
Technical Data .....	20
Wall Mounting Template .....	21
Graco Standard Warranty .....	22
Graco Information .....	22

# Models

<b>Spray Package Description</b>	<b>Pail Mount, Series</b>	<b>Stand Mount, Series</b>	<b>Cart Mount, Series</b>	<b>Wall Mount, Series</b>
Aluminum Pump, No Gun	233466, A	233473, A	233480, A	233487, A
Stainless Steel Pump, No Gun	233467, A	233474, A	233481, A	233488, A
Aluminum Pump, AirPro Conventional Gun	233468, C	233475, C	233482, C	233489, C
Stainless Steel Pump, AirPro Conventional Gun	233469, C	233476, C	233483, C	233490, C
Aluminum Pump, AirPro HVLP Spray Gun	233470, C	233477, C	233484, C	233491, C
Stainless Steel Pump, AirPro HVLP Spray Gun	233471, C	233478, C	233485, C	233492, C
Aluminum Pump, AirPro Compliant Spray Gun	234911, B	234913, B	234915, B	234917, B
Stainless Steel Pump, AirPro Compliant Spray Gun	234912, B	234914, B	234916, B	234918, B
Aluminum Pump, Pro Xp 40 Electrostatic Spray Gun	233741, C	233743, B	233746, C	233748, B
Aluminum Pump, Pro Xp 60 Electrostatic Spray Gun	233742, C	233744, B	233747, C	233749, B
Stainless Steel Pump, AirPro HVLP Waterborne Gun	N/A	N/A	289632, A	289622, A
Stainless Steel Pump, AirPro Compliant Waterborne Gun	N/A	N/A	289633, A	289623, A
Stainless Steel Pump, AirPro Conventional Waterborne Gun	N/A	N/A	289634, A	289624, A
Stainless Steel Pump, AirPro HVLP Stain Spray Gun	289642, A	N/A	289635, A	289625, A
Stainless Steel Pump, AirPro Compliant Stain Spray Gun	289643, A	N/A	289636, A	289626, A
Stainless Steel Pump, AirPro Conventional Stain Spray Gun	289644, A	N/A	289637, A	289627, A
Aluminum Pump, AirPro HVLP Stain Spray Gun	289645, A	N/A	289638, A	289628, A
Aluminum Pump, AirPro Compliant Stain Spray Gun	289646, A	N/A	289639, A	289629, A
Aluminum Pump, AirPro Conventional Stain Spray Gun	289647, A	N/A	289640, A	289630, A
Aluminum Pump, Pro Xp 85 Electrostatic Spray Gun	289648, C	289649, B	289641, C	289631, B

# Symbols

## Warning Symbol

### **WARNING**

This symbol alerts you to the possibility of serious injury or death if you do not follow the instructions.

## Caution Symbol

### **CAUTION**

This symbol alerts you to the possibility of damage to or destruction of equipment if you do not follow the corresponding instructions.

## **WARNING**



### **PRESSURIZED FLUID HAZARD**

Spray from the gun, hose leaks, or ruptured components can splash fluid in the eyes or on the skin and cause serious injury.

- Do not stop or deflect fluid leaks with your hand, glove, or rag.
- Follow the **Pressure Relief Procedure** on page 10 before cleaning, checking, or servicing the equipment.
- Tighten all fluid connections before each use.
- Check the hoses, tubes, and couplings daily. Replace parts immediately if worn, damaged, or loose. Permanently coupled hoses cannot be repaired.



### **FIRE AND EXPLOSION HAZARD**

Improper grounding, poor air ventilation, open flames, or sparks can cause a hazardous condition and result in fire or explosion and serious injury.

- Ground the equipment, the object being sprayed, and all other electrically conductive objects in the spray area. See **Grounding** on page 10.
- Electrostatic guns require special grounding procedures. If your package includes an electrostatic spray gun, read and follow all grounding instructions in the gun manual 3A2494.
- If there is any static sparking while using the equipment, **stop spraying immediately**. Identify and correct the problem.
- Provide fresh air ventilation to avoid the buildup of flammable vapors from the solvent or the fluid being sprayed.
- Do not smoke in the spray area.
- Extinguish all open flames or pilot lights in the spray area.
- Do not turn on or off any light switch in the spray area.
- Electrically disconnect all equipment in the spray area.
- Keep the spray area free of debris, including solvent, rags, and gasoline.
- Do not operate a gasoline engine in the spray area.

# WARNING



INSTRUCTIONS



## EQUIPMENT MISUSE HAZARD

Equipment misuse can cause the equipment to rupture, malfunction, or start unexpectedly and result in a serious injury.

- This equipment is for professional use only.
- Read all the instruction manuals, tags, and labels before operating the equipment.
- Use the equipment only for its intended purpose. If you are uncertain about usage, call your Graco distributor.
- Do not alter or modify this equipment. Use only genuine Graco parts and accessories.
- Check the equipment daily. Repair or replace worn or damaged parts immediately.
- Do not exceed the maximum working pressure of the lowest rated system component. This package has a **100 psi (0.7 MPa, 7 bar) maximum working pressure**.
- Use fluids that are compatible with the equipment wetted parts. See the **Technical Data** section of all the equipment manuals. Read the fluid manufacturer's warnings.
- *Aluminum pumps only:* Never use 1,1,1-trichloroethane, methylene chloride, other halogenated hydrocarbon solvents or fluids containing such solvents in pressurized aluminum equipment. Such use could result in a chemical reaction, with the possibility of explosion.
- Route the hoses away from traffic areas, sharp edges, moving parts, and hot surfaces. Do not expose Graco hoses to temperatures above 180°F (82°C) or below -40°F (-40°C).
- Do not use the hoses to pull equipment.
- Wear hearing protection when operating this equipment.
- Comply with all applicable local, state, and national fire, electrical, and other safety regulations.



## TOXIC FLUID HAZARD

Hazardous fluids or toxic fumes can cause a serious injury or death if splashed in the eyes or on the skin, swallowed, or inhaled.

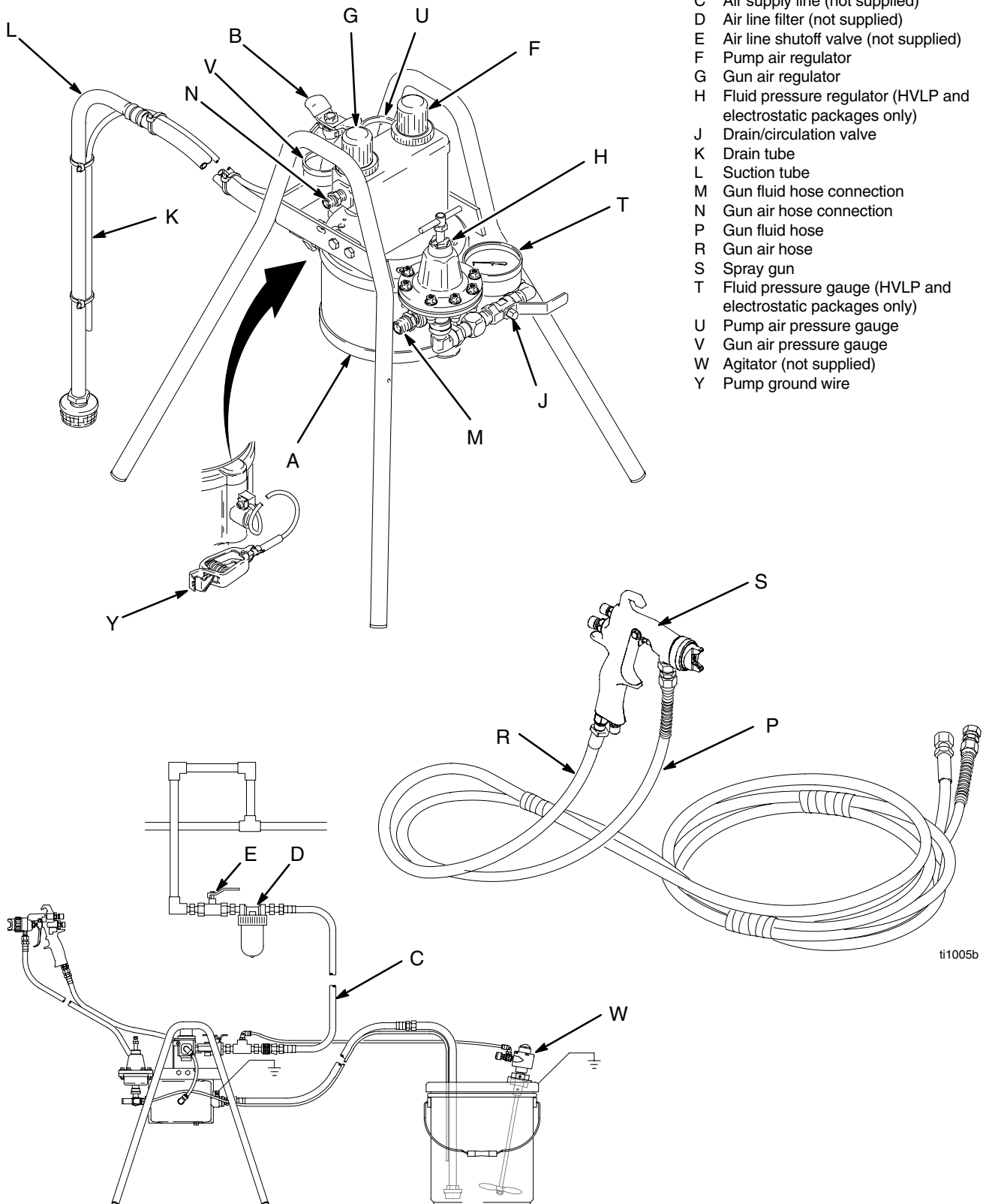
- Know the specific hazards of the fluid you are using. Read the fluid manufacturer's warnings.
- Store hazardous fluid in an approved container. Dispose of the hazardous fluid according to all local, state, and national guidelines.
- Wear appropriate protective clothing, gloves, eyewear, and respirator.
- If the pump diaphragm fails, hazardous fluid may be exhausted along with the air.

# Component Identification

## Stand Mount HVLP Spray Package Shown

### KEY

- A TRITON 1:1 Pump
- B Bleed-type master air valve
- C Air supply line (not supplied)
- D Air line filter (not supplied)
- E Air line shutoff valve (not supplied)
- F Pump air regulator
- G Gun air regulator
- H Fluid pressure regulator (HVLP and electrostatic packages only)
- J Drain/circulation valve
- K Drain tube
- L Suction tube
- M Gun fluid hose connection
- N Gun air hose connection
- P Gun fluid hose
- R Gun air hose
- S Spray gun
- T Fluid pressure gauge (HVLP and electrostatic packages only)
- U Pump air pressure gauge
- V Gun air pressure gauge
- W Agitator (not supplied)
- Y Pump ground wire



ti1005b

ti1006a

Fig. 1

# Installation

## CAUTION

Use a stainless steel package to spray waterborne, acid-catalyzed, or 2-component materials. Use of aluminum packages with these materials is not recommended. See the wetted parts in the **Technical Data** section of each component manual, and your fluid and solvent manufacturer's compatibility information.

## WARNING



### TOXIC FLUID HAZARD

Hazardous fluid or toxic fumes can cause serious injury or death if splashed in the eyes or on the skin, inhaled, or swallowed.

- Read **TOXIC FLUID HAZARD** on page 5.
- Use fluids and solvents that are compatible with the equipment wetted parts. Refer to the **Technical Data** section of all equipment manuals. Read the fluid and solvent manufacturer's warnings.

## General Information

- Always use Genuine Graco Parts and Accessories, available from your Graco distributor. If you supply your own accessories, be sure they are adequately sized and pressure rated for your system.
- Reference numbers and letters in parentheses refer to the callouts in the Figs. and the parts lists starting on page 12.

## Preparing the Site

- Ensure that you have an adequate compressed air supply for the pump and gun. Refer to the separate pump and gun manuals for air consumption data.
- Clear obstacles and debris that could cause an unsafe operating environment.
- Have a grounded, metal pail available for use when flushing the spray package.
- Bring an air supply line (C) from the main air supply to the pump location. Install an accessory air filter (D) on the compressed air line to filter dirt and moisture from the air supply. Install a shutoff valve (E) to isolate the filter for cleaning.
- When the bleed-type master air valve (B) is closed and the pump air regulator (F) and gun air regulator (G) are opened, it relieves all air pressure to the system components.
- Ventilate the spray booth.

## WARNING

To prevent hazardous concentrations of toxic and/or flammable vapors, spray only in a properly ventilated spray booth. Never operate the spray gun unless ventilation fans are operating.

Check and follow all of the national, state, and local codes regarding air exhaust velocity requirements.

# Installation

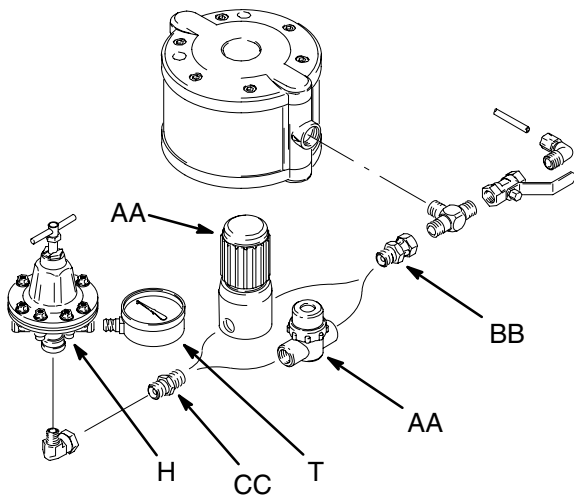
## Pump Outlet Fluid Filter Accessories

To install a fluid filter on the pump outlet, order a filter (AA), swivel (BB), and nipple (CC). Refer to Table 1 for the part numbers you must order for an aluminum or a stainless steel package.

Refer to Fig. 2. Install the fluid filter between the pump fluid outlet and the gun fluid hose connection. If a fluid regulator (H) is present, it must be rotated so the gauge (T) will clear the filter.

**Table 1: Installing a Fluid Filter**

Fluid Filter (AA)	Swivel (BB)	Nipple (CC)
114361; nylon; 150 psi; 80 mesh; for aluminum or stainless steel packages	235207; 3/8 npt(m) x 3/8 npsm(f); sst	166863; 1/4 npt x 3/8 npt; sst
235677; aluminum; 3000 psi; 60 mesh; for aluminum packages	157705; 1/4 npt(m) x 3/8 npsm(f); cst	165198; 1/4 npt x 3/8 npt; cst
223160; sst; 5000 psi; 60 mesh; for stainless steel packages	235207; 3/8 npt(m) x 3/8 npsm(f); sst	166863; 1/4 npt x 3/8 npt; sst



**Fig. 2**

ti1471a

## Gun Inlet Filter

To install a filter between the hose and gun inlet, order Filter 915921, 100 mesh, 500 psi, sst, 3/8 npsm (m x f).

## Agitator Kit 245081

Part No. 245081 Agitator Kit is available for the TRITON Sprayer Packages as an accessory. The kit must be ordered separately. Instructions are included.

## Fluid Suction Line

- The pump fluid inlet is 3/4 npt(f). Screw the suction line (L) into the pump inlet snugly. Use a compatible liquid thread sealant on connections to prevent air from getting into the fluid line.
- Do not pressure feed this pump.
- See the **Technical Data** in the pump manual 309303 for maximum suction lift.

## Preparing the Operator

Anybody who operates this system should be trained in the safe, efficient operation of all system components. At a minimum, all operators should thoroughly read the TRITON operation manual, 309305.

## Related Manuals

309305	TRITON™ 308 Spray Package Operation
309303	TRITON™ 308 Pump
312414	AirPro Conventional, HVLP, and Compliant Gun
3A2494	Pro Xp Electrostatic Air Spray Guns
308325	Acetal Fluid Regulator
307212	Stainless Steel Fluid Regulator
309306	Agitator Kit



# Installation

## Wall Mount Packages

**NOTE:** Refer to Fig. 3 and to the Wall Mounting Template on page 21.

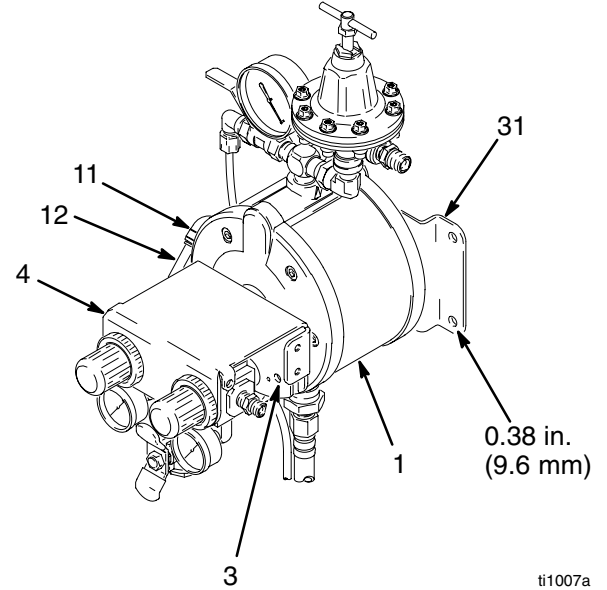
1. Ensure that the wall is strong enough to support the weight of the pump and accessories, fluid, hoses, and stress caused during pump operation.
2. Use the Wall Mounting Template on page 21 to set the position of the wall bracket. The top edge of the bracket should be 4 to 5 ft (1.2 to 1.5 m) above the floor. Verify that the dimensions are exact and the hole locations are level before drilling the holes.

**NOTE:** It is easier to mount the wall bracket (31) if the control bracket (4) and pump (1) are removed. Disconnect the air tube (12) from the elbow (11), then loosen the two screws (3) and lift the control bracket (4) off the screws. To remove the pump (1), remove the screws (3) entirely.

3. Using the template, drill four 0.38 in. (9.6 mm) diameter holes in the wall. Attach the bracket with anchors and screws that are long enough to keep the bracket from vibrating during operation. Check that the bracket is level.

## Suction Kit Accessories

Suction kits are available for the wall mount packages, as an accessory. The kits must be ordered separately. Refer to Table 2 for information.



**Fig. 3**

**Table 2: Wall Mount Suction Kits**

Part No.	Suction Kit Description	Hose Length	Tube Length
245082	Aluminum, 5 gal pail size, with strainer	4 ft (1.2 m)	17 in. (0.43 m)
245083	Stainless Steel, 5 gal pail size, with strainer	4 ft (1.2 m)	17 in. (0.43 m)
245084	Aluminum, 55 gal drum size, with bung adapter	6 ft (1.8 m)	38 in. (0.96 m)
245085	Stainless Steel, 55 gal drum size, with bung adapter	6 ft (1.8 m)	38 in. (0.96 m)

# Installation

## Grounding

### **WARNING**

To reduce the risk of static sparking, the entire system must be grounded. Check your local electrical code for detailed grounding instructions for your area and type of equipment. Ground all of this equipment. Also read **FIRE AND EXPLOSION HAZARD** on page 4.

- *Spray package:* One end of the ground wire is already connected to the pump. Connect the clamp end of the ground wire to a true earth ground.
- *Packages with Pro Xp electrostatic guns:* Make sure you read all of the grounding instructions and warnings in your gun instruction manual 3A2494.
- *Air compressor:* Follow the manufacturer's recommendations.
- *Object being sprayed:* Follow the local code.
- *Fluid supply container:* Follow the local code.
- *All solvent pails used when flushing:* Follow the local code. Use only metal pails, which are conductive. Do not place the pail on a non-conductive surface, such as paper or cardboard, which interrupts the grounding continuity.

## Flush Pump Before First Use

The pump was tested in lightweight oil. If the test solution could contaminate the fluid you are pumping, flush the pump thoroughly with a compatible solvent. Refer to the Operation Manual 309305 for flushing instructions.

## Pressure Relief Procedure

### **WARNING**

The system remains pressurized until pressure is manually relieved. To reduce the risk of serious injury from pressurized fluid, accidental spray from the gun, or splashing of any fluid, follow this procedure whenever you

- Stop spraying
  - Are instructed to relieve pressure
  - Check or service any system equipment
  - Install, clean, or change spray nozzles
1. Close the bleed-type master air valve (B) to relieve the air pressure.
  2. **On electrostatic guns only**, turn the ES ON/OFF lever to OFF.
  3. Hold the gun (B) firmly against a grounded metal pail and trigger the gun to relieve the fluid pressure.
  4. Place the drain tube (K) in a waste pail. Open the drain/circulation valve (J) to relieve any fluid pressure trapped in the system.

# Maintenance

See the separate component instruction manuals for individual component maintenance procedures.

## Daily Maintenance

Check the hoses, tubes, and couplings daily. Tighten all fluid connections before each use.

## Flushing the System

Flush the system at the following times:

- Before the first-time use
- When changing colors
- Before fluid can dry or settle out in a dormant system
- Before storing the system

# Troubleshooting

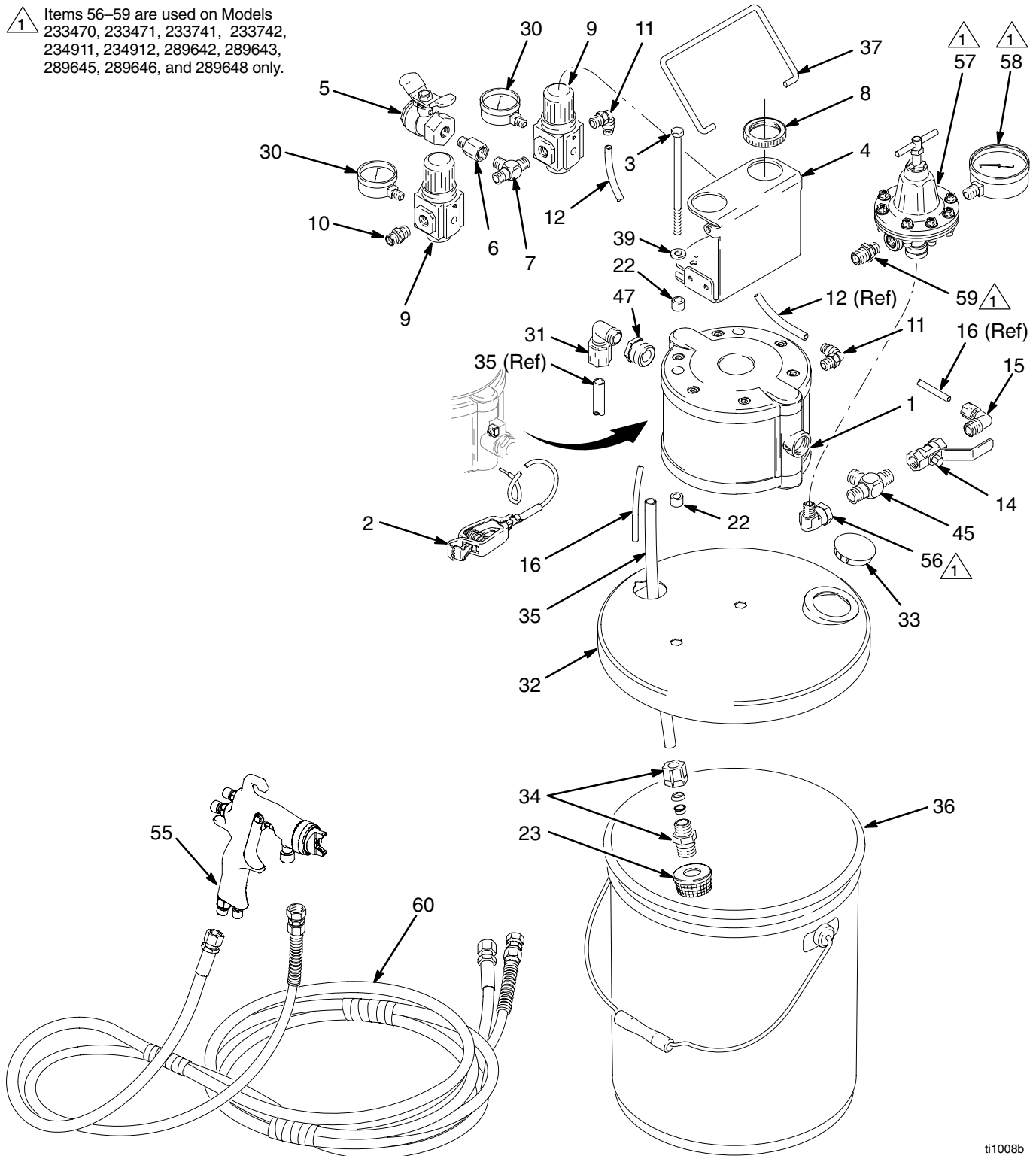
PROBLEM	CAUSE	SOLUTION
Pump will not run.	Closed air line valve.	Open valve.
	Inadequate air supply, or clogged/ restricted air line.	Increase air supply. Do not exceed maximum air inlet pressure.
		Open or clear air line.
		Clean air filter.
	Clogged fluid line or spray gun.	Clear, service. Do not allow fluid to set up in the pump and lines.
	Stuck or damaged pump air valve.	Service pump. Use filtered air.
Ruptured diaphragm.	Service pump.	
Pump runs sluggishly.	Worn or damaged spool o-rings.	Service pump.
Pump runs erratically.	Clogged suction line or inlet strainer.	Clear.
	Sticking or leaking check valves.	Service pump.
Pump runs too fast.	Exhausted fluid supply.	Refill fluid supply and prime sprayer.
Pump cycles at stall or fails to hold pressure at stall.	Worn check valves or o-rings.	Service pump.
Audible air leak.	Worn air valve cup or plate.	Service pump.
Air bubbles in fluid.	Loose suction line.	Tighten. Use a compatible liquid thread sealant on connections.
Poor finish or irregular spray pattern.	Incorrect fluid or air pressure at gun.	See gun manual; read fluid manufacturer's recommendations.
		Use fluid regulator.
	Fluid is too thin or too thick.	Adjust fluid viscosity; read fluid manufacturer's recommendations.
	Dirty, worn, or damaged spray gun.	Service gun.
Fluid is settling out.	Use agitator. Order Part No. 245081 Agitator Kit.	

# Parts

**Pail Mount Packages** (see model descriptions on page 3)

**Models 233466, 233467, 233468, 233469, 233470, 233471, 234911, 234912, 233741, 233742, 289642, 289643, 289644, 289645, 289646, 289647, and 289648.**

△ Items 56–59 are used on Models 233470, 233471, 233741, 233742, 234911, 234912, 289642, 289643, 289645, 289646, and 289648 only.



# Parts


## Pail Mount Packages (see model numbers on page 12)

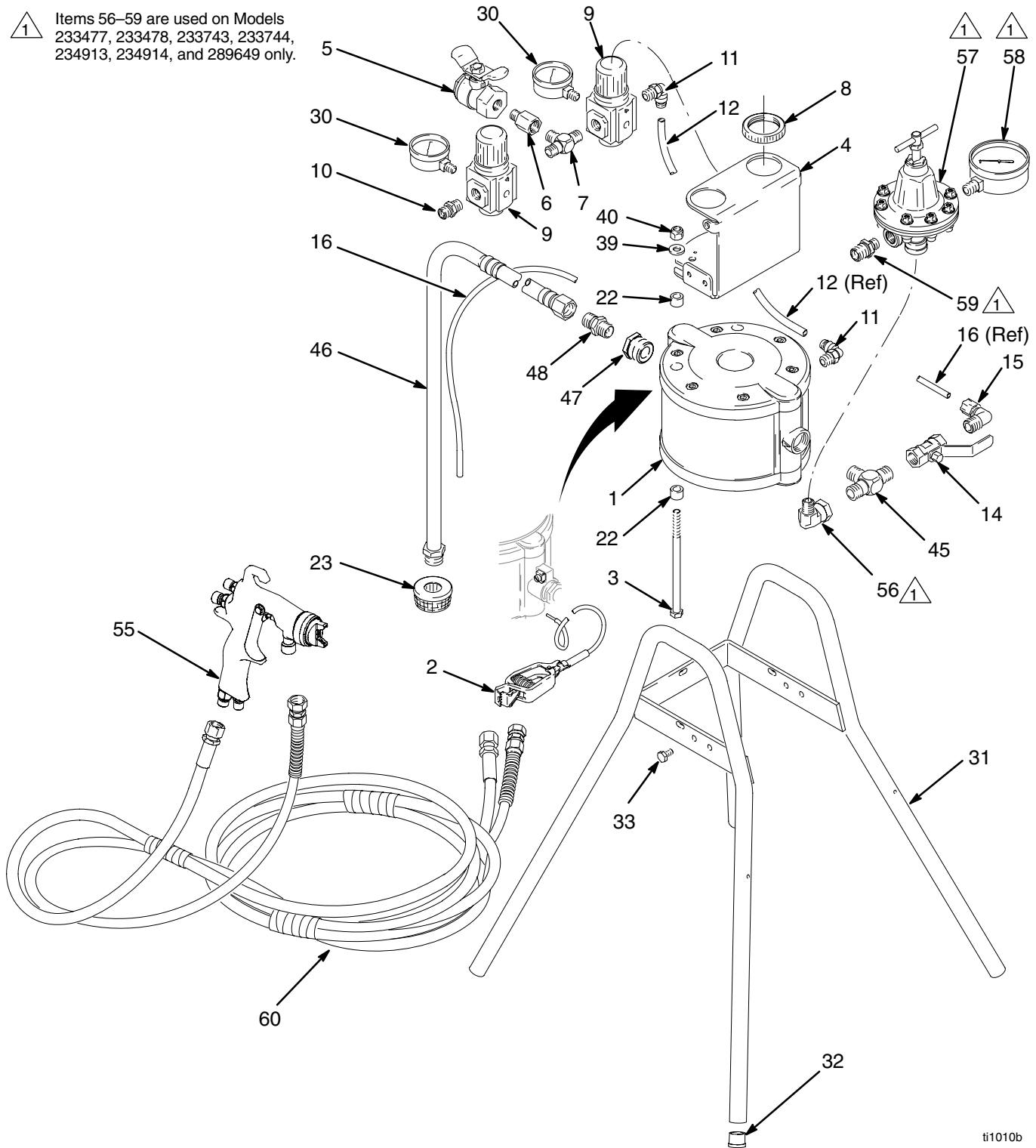
Ref. No.	Part No.	Description	Qty.	Ref. No.	Part No.	Description	Qty.	
1	233500	PUMP, diaphragm; aluminum; <i>for 233466, 233468, 233470, 233741, 233742</i>	1	55	288931	GUN, AirPro Conventional; <i>for 233468, 233469; see manual 312414</i>	1	
	233501	PUMP, diaphragm; sst; <i>for 233467, 233469, 233471</i>	1		288938	GUN, AirPro HVLP spray; <i>for 233470, 233471; see manual 312414</i>	1	
2	238909	GROUND WIRE & CLAMP ASSY	1		288945	GUN, AirPro Compliant spray; <i>for 234911, 234912; see manual 312414</i>	1	
3	116311	SCREW, cap, hex hd; 5/16 unc x 5.5 in. (140 mm)	2		L40T10	GUN, Pro Xp 40 electrostatic; <i>for 233741; see manual 3A2494</i>	1	
4	197126	BRACKET, control	1		L60T10	GUN, Pro Xp 60 electrostatic; <i>for 233742; see manual 3A2494</i>	1	
5	116473	VALVE, air, bleed-type; 1/4 npt(fbe)	1		289110	GUN, AirPro Compliant Stain; <i>for 289642, 289645; see manual 312414</i>	1	
6	116393	ADAPTER; 1/4 npt (m x f)	1		289111	GUN, AirPro Compliant Stain; <i>for 289643, 289646; see manual 312414</i>	1	
7	115219	TEE; 1/4 npt(m)	1		289109	GUN, AirPro Conventional Stain; <i>for 289644, 289647; see manual 312414</i>	1	
8	116514	NUT, regulator	2		L85T10	GUN, Pro Xp 85 electrostatic; <i>for 289648; see manual 3A2494</i>	1	
9	116513	REGULATOR, air	2		56	116395	ELBOW; cst; 1/4 npt(m) x 3/8 npt(f) swivel; <i>for 233470, 233741, 233742</i>	1
10	162453	NIPPLE; 1/4 npsm x 1/4 npt	1		207123	ELBOW; sst; 3/8 npt(m) x 3/8 npsm(f) swivel; <i>for 233471</i>	1	
11	115948	ELBOW; 1/4 npt(m) x 0.312 in. (8 mm) OD tubing	2		57	241976	REGULATOR, fluid, acetal; 0–30 psi (0–0.2 MPa, 0–2 bar) range; includes gauge; <i>for 233470, 233741, 233742; see manual 308325</i>	1
12	buy locally	TUBE; polyethylene; 0.312 in. (8 mm) OD	0.5 ft		214895	REGULATOR, fluid; sst; 0–100 psi (0–0.6 MPa, 0–7 bar) range; <i>for 233471; see manual 307212</i>	1	
14	114363	VALVE, ball, fluid; sst; 3/8 npt(fbe)	1		58	187874	GAUGE, pressure, fluid; sst; <i>for 233471</i>	1
15	116314	ELBOW; 3/8 npt(m) x 0.25 in. (6 mm) OD tubing	1		59	165198	NIPPLE; cst; 1/4 npt x 3/8 npt; <i>for 233470, 233741, 233742</i>	1
16	buy locally	TUBE; polyethylene; 0.25 in. (6 mm) OD	2.2 ft		171195	NIPPLE; sst; 3/8 npsm x 3/8 npt; <i>for 233471</i>	1	
22	197449	SPACER	4		60	233499	HOSE ASSY; sst fittings; 3/8 npsm(f) nylon fluid hose; 1/4 npsm(f) air hose; 25 ft (7.6 m); <i>for 233469, 233471, 233468, 233470</i>	1
23	218798	STRAINER	1		240425	HOSE ASSY, electrostatic; 3/8 npsm(f) nylon fluid hose; 1/4 npsm(f) air hose with ground wire and left-hand thread; 25 ft (7.6 m); <i>for 233741, 233742, and 289648</i>	1	
30	110436	GAUGE, pressure, air	2					
31	116315	ELBOW; 3/8 npt(m) x 0.5 in. (13 mm) OD tubing	1					
32	197298	COVER, pail; cst; <i>for 233466, 233468, 233470, 233741, 233742</i>	1					
	197216	COVER, pail; sst; <i>for 233467, 233469, 233471</i>	1					
33	111813	PLUG, button	1					
34	116316	FITTING, straight; 1/2 npt(m) x 0.5 in. (13 mm) OD tubing	1					
35	197971	TUBE, suction; polyethylene; 0.5 in. (13 mm) OD x 14.5 in. (368 mm)	1					
36	101108	PAIL, 5 gal. (19 l); steel	1					
37	197127	HANDLE, pail mount	1					
39	104034	WASHER; 5/16 size	2					
45	113786	TEE; cst; 3/8 npt(m); <i>for 233466, 233468, 233470, 233741, 233742</i>	1					
	116400	TEE; sst; 3/8 npt(m); <i>for 233467, 233469, 233471</i>	1					
47	116350	BUSHING; sst; 3/4 npt(m) x 3/8 npt(f)	1					

# Parts

Stand Mount Packages (see model descriptions on page 3)

Models 233473, 233474, 233475, 233476, 233477, 233478, 234913, 234914, 233743, 233744, and 289649

 Items 56–59 are used on Models 233477, 233478, 233743, 233744, 234913, 234914, and 289649 only.



# Parts

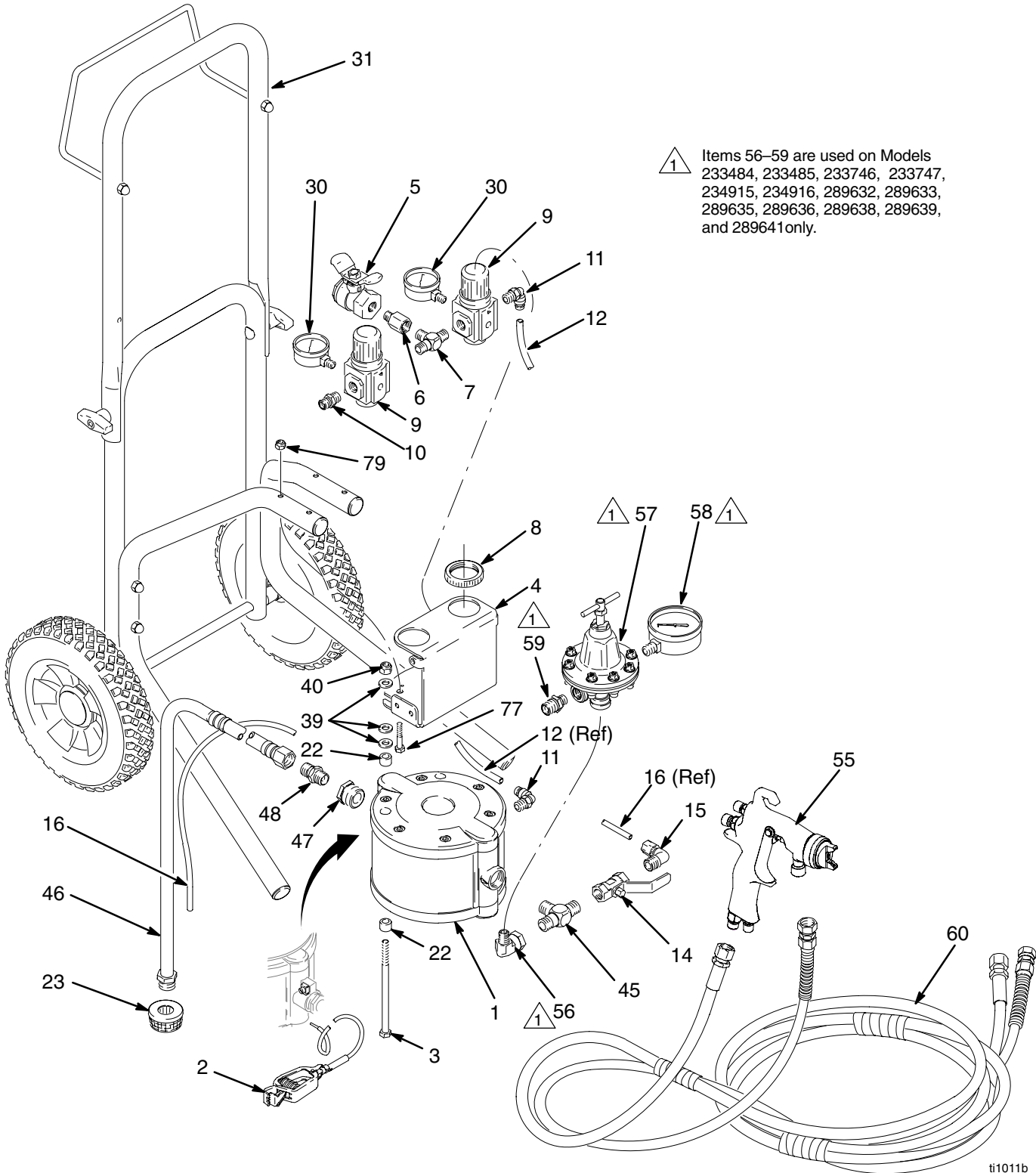
## Stand Mount Packages (see model numbers on page 14)

Ref. No.	Part No.	Description	Qty.	Ref. No.	Part No.	Description	Qty.
1	233500	PUMP, diaphragm; aluminum; <i>for 233473, 233475, 233477, 233743, 233744</i>	1	55	288931	GUN, AirPro Conventional; <i>for 233475, 233476;</i> <i>see manual 312414</i>	1
	233501	PUMP, diaphragm; sst; <i>for 233474, 233476, 233478</i>	1		288938	GUN, AirPro HVLSP spray; <i>for 233477, 233478;</i> <i>see manual 312414</i>	1
2	238909	GROUND WIRE & CLAMP ASSY	1		288945	GUN, AirPro Compliant spray; <i>for 234913, 234914;</i> <i>see manual 312414</i>	1
3	116311	SCREW, cap, hex hd; 5/16 unc x 5.5 in. (140 mm)	2		L40T10	GUN, Pro Xp 40 electrostatic; <i>for 233743;</i> <i>see manual 3A2494</i>	1
4	197126	BRACKET, control	1		L60T10	GUN, Pro Xp 60 electrostatic; <i>for 233744;</i> <i>see manual 3A2494</i>	1
5	116473	VALVE, air, bleed-type; 1/4 npt(fbe)	1		L85T10	GUN, Pro Xp 85 electrostatic; <i>for 289649;</i> <i>see manual 3A2494</i>	1
6	116393	ADAPTER; 1/4 npt (m x f)	1	56	116395	ELBOW; cst; 1/4 npt(m) x 3/8 npt(f) swivel; <i>for 233477, 233743, 233744</i>	1
7	115219	TEE; 1/4 npt(m)	1		207123	ELBOW; sst; 3/8 npt(m) x 3/8 npsm(f) swivel; <i>for 233478</i>	1
8	116514	NUT, regulator	2	57	241976	REGULATOR, fluid; acetal; 0–30 psi (0–0.2 MPa, 0–2 bar) range; includes gauge; <i>for 233477, 233743, 233744;</i> <i>see manual 308325</i>	1
9	116513	REGULATOR, air	2		214895	REGULATOR, fluid; sst; 0–100 psi (0–0.6 MPa, 0–7 bar) range; <i>for 233478;</i> <i>see manual 307212</i>	1
10	162453	NIPPLE; 1/4 npsm x 1/4 npt	1	58	187874	GAUGE, pressure, fluid; sst; <i>for 233478</i>	1
11	115948	ELBOW; 1/4 npt(m) x 0.312 in. (8 mm) OD tubing	2	59	165198	NIPPLE; cst; 1/4 npt x 3/8 npt; <i>for 233477, 233743, 233744</i>	1
12	buy locally	TUBE; polyethylene; 0.312 in. (8 mm) OD	0.5 ft		171195	NIPPLE; sst; 3/8 npsm x 3/8 npt; <i>for 233478</i>	1
14	114363	VALVE, ball, fluid; sst; 3/8 npt(fbe)	1	60	233499	HOSE ASSY; sst fittings; 3/8 npsm(f) nylon fluid hose; 1/4 npsm(f) air hose; 25 ft (7.6 m); <i>for 233476, 233478, 233475, 233477</i>	1
15	116314	ELBOW; 3/8 npt(m) x 0.25 in. (6 mm) OD tubing	1		240425	HOSE ASSY, electrostatic; 3/8 npsm(f) nylon fluid hose; 1/4 npsm(f) air hose with ground wire and left-hand thread; 25 ft (7.6 m); <i>for 233743, 233744, and 289649</i>	1
16	buy locally	TUBE; polyethylene; 0.25 in. (6 mm) OD	5.3 ft				
22	197449	SPACER	4				
23	218798	STRAINER	1				
30	110436	GAUGE, pressure, air	2				
31	218743	FRAME, stand, pump	1				
32	108175	PLUG, stand	4				
33	100333	SCREW, cap, hex hd; 1/4–20 x 0.5 in. (13 mm)	4				
39	104034	WASHER; 5/16 size	2				
40	111040	NUT, lock; nylon insert; 5/16–18	2				
45	113786	TEE; cst; 3/8 npt(m); <i>for 233473, 233475, 233477, 233743, 233744</i>	1				
	116400	TEE; sst; 3/8 npt(m); <i>for 233474, 233476, 233478</i>	1				
46	244432	HOSE, suction; aluminum and LDPE; <i>for 233473, 233475, 233477</i>	1				
	244433	HOSE, suction; sst; <i>for 233474, 233476, 233478, 233479</i>	1				
47	116350	BUSHING; sst; 3/4 npt(m) x 3/8 npt(f)	1				
48	162485	NIPPLE; cst; 3/8 npsm x 3/8 npt; <i>for 233473, 233475, 233477, 233743, 233744</i>	1				
	112100	NIPPLE; sst; 9/16–18 x 3/8 npt; <i>for 233474, 233476, 233478</i>	1				

# Parts

**Cart Mount Packages** (see model descriptions on page 3)

**Models 233480, 233481, 233482, 233483, 233484, 233485, 234915, 234916, 233746, 233747, 289632, 289633, 289634, 289635, 289636, 289637, 289638, 289639, 289640, and 289641**





# Parts

## Cart Mount Packages (see model numbers on page 16)

Ref. No.	Part No.	Description	Qty.	Ref. No.	Part No.	Description	Qty.
1	233500	PUMP, diaphragm; aluminum; for 233480, 233482, 233484, 233746, 233747	1			<i>For guns 288938, 288945, 244399, 288969, 288972, 288966, 289110, 289111, and 289109 see manual 312414</i>	
	233501	PUMP, diaphragm; sst; for 233481, 233483, 233485	1	288938		GUN, AirPro HVLV spray; for 233484, 233485	1
2	238909	GROUND WIRE & CLAMP ASSY	1	288945		GUN, AirPro Compliant spray; for 234915, 234916	1
3	116311	SCREW, cap, hex hd; 5/16 unc x 5.5 in. (140 mm)	2	288969		GUN, AirPro HVLV Waterborne; for 289632	1
4	197126	BRACKET, control	1	288972		GUN, AirPro Compliant Waterborne; for 289633	1
5	116473	VALVE, air, bleed-type; 1/4 npt(fbe)	1	288966		GUN, AirPro Conventional Waterborne; for 289634	1
6	116393	ADAPTER; 1/4 npt (m x f)	1	289110		GUN, AirPro HVLV Stain; for 289635, 289638	1
7	115219	TEE; 1/4 npt(m)	1	289111		GUN, AirPro Compliant Stain; for 289636, 289639	1
8	116514	NUT, regulator	2	289109		GUN, AirPro Conventional Stain; for 289637, 289640	1
9	116513	REGULATOR, air	2	56	116395	ELBOW; cst; 1/4 npt(m) x 3/8 npt(f) swivel; for 233484, 233746, 233747	1
10	162453	NIPPLE; 1/4 npsm x 1/4 npt	1	207123		ELBOW; sst; 3/8 npt(m) x 3/8 npsm(f) swivel; for 233485	1
11	115948	ELBOW; 1/4 npt(m) x 0.312 in. (8 mm) OD tubing	2	57	241976	REGULATOR, fluid; acetal; 0–30 psi (0–0.2 MPa, 0–2 bar) range; includes gauge; for 233484, 233746, 233747; see manual 308325	1
12	buy locally	TUBE; polyethylene; 0.312 in. (8 mm) OD	0.5 ft	214895		REGULATOR, fluid; sst 0–100 psi (0–0.6 MPa, 0–7 bar) range; for 233485; see manual 307212	1
14	114363	VALVE, ball, fluid; sst; 3/8 npt(fbe)	1	58	187874	GAUGE, pressure fluid; sst; for 233485	1
15	116314	ELBOW; 3/8 npt(m) x 0.25 in. (6 mm) OD tubing	1	59	165198	NIPPLE; cst; 1/4 npt x 3/8 npt; for 233484, 233746, 233747	1
16	buy locally	TUBE; polyethylene; 0.25 in. (6 mm) OD	5.3 ft	171195		NIPPLE; sst; 3/8 npsm x 3/8 npt; for 233485	1
22	197449	SPACER	4	60	233499	HOSE ASSY; sst fittings; 3/8 npsm(f) nylon fluid hose; 1/4 npsm(f) air hose; 25 ft (7.6 m); for 233483, 233485, 233482, 233484	1
23	218798	STRAINER	1	240425		HOSE ASSY, electrostatic; 3/8 npsm(f) nylon fluid hose; 1/4 npsm(f) air hose with ground wire and left-hand thread; 25 ft (7.6 m); for 233746, 233747, and 289641	1
30	110436	GAUGE, pressure, air	2	77	100058	SCREW, cap, hex hd; 1/4–20 x 1.5 in. (38 mm)	4
31	233581	CART ASSEMBLY	1	79	102040	NUT, lock; nylon insert; 1/4–20	4
39	104034	WASHER; 5/16 size	6				
40	111040	NUT, lock; nylon insert; 5/16–18	2				
45	113786	TEE; cst; 3/8 npt(m); for 233480, 233482, 233484, 233746, 233747	1				
	116400	TEE; sst; 3/8 npt(m); for 233481, 233483, 233485	1				
46	244432	HOSE, suction; aluminum and LDPE; for 233480, 233482, 233484, 233746, 233747	1				
	244433	HOSE, suction; sst; for 233481, 233483, 233485	1				
47	116350	BUSHING; sst; 3/4 npt(m) x 3/8 npt(f)	1				
48	162485	NIPPLE; cst; 3/8 npsm x 3/8 npt; for 233480, 233482, 233484, 233746, 233747	1				
	112100	NIPPLE; cst, 3/8 npsm x 3/8 npt; for 233481, 233483, 233485	1				
55	<i>For guns L40T10, L60T10, and L85T10 see manual 3A2494</i>						
	L40T10	GUN, Pro Xp 40 electrostatic; for 233746	1				
	L60T10	GUN, Pro Xp 60 electrostatic; for 233747	1				
	L85T10	GUN, Pro Xp 85 electrostatic; for 289641	1				

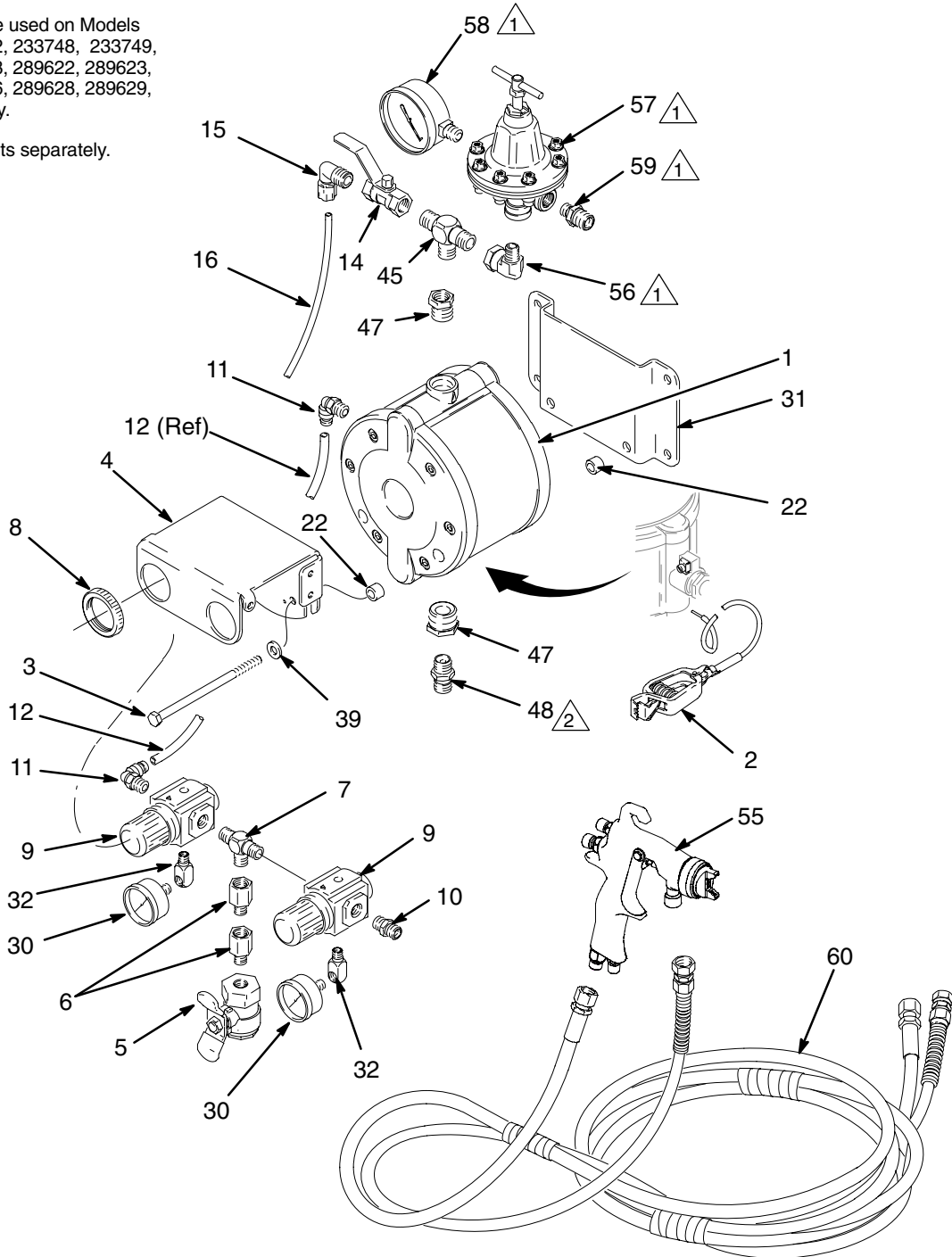
# Parts

## Wall Mount Packages (see model descriptions on page 3)

**Models 233487, 233488, 233489, 233490, 233491, 233492, 234917, 234918, 233748, 233749, 289622, 289623, 289624, 289625, 289626, 289627, 289628, 289629, 289630, and 289631**

**1** Items 56–59 are used on Models 233491, 233492, 233748, 233749, 234917, 234918, 289622, 289623, 289625, 289626, 289628, 289629, and 289631 only.

**2** Order suction kits separately. See page 9.



t11012b

# Parts

## Wall Mount Packages (see model numbers on page 18)

Ref. No.	Part No.	Description	Qty.	Ref. No.	Part No.	Description	Qty.
1	233500	PUMP, diaphragm; aluminum; for 233487, 233489, 233491, 233748, 233749	1			For guns 288931, 288945, 288945, 288969, 288972, 288966, 289110, 289111, and 289109 see manual 312414	
	233501	PUMP, diaphragm; sst; for 233488, 233490, 233492	1	288969		GUN, AirPro HVLP Waterborne; for 289622	1
2	238909	GROUND WIRE & CLAMP ASSY	1	288972		GUN, AirPro Compliant Waterborne; for 289623	1
3	116311	SCREW, cap, hex hd; 5/16 unc x 5.5 in. (140 mm)	2	288966		GUN, AirPro Conventional Waterborne; for 289624	1
4	197126	BRACKET, control	1	289110		GUN, AirPro HVLP Stain; for 289625, 289628; see manual 312414	1
5	116473	VALVE, air, bleed-type; 1/4 npt(fbe)	1	289111		GUN, AirPro Compliant Stain; for 289626, 289629	1
6	116393	ADAPTER; 1/4 npt (m x f)	2	289109		GUN, AirPro Conventional Stain; for 289627, 289630	1
7	115219	TEE; 1/4 npt(m)	1				
8	116514	NUT, regulator	2	56	116395	ELBOW; cst; 1/4 npt(m) x 3/8 npt(f) swivel; for 233491, 233748, 233749	1
9	116513	REGULATOR, air	2	207123		ELBOW; sst; 3/8 npt(m) x 3/8 npsm(f) swivel; for 233492	1
10	162453	NIPPLE; 1/4 npsm x 1/4 npt	1	57	241976	REGULATOR, fluid; acetal; 0–30 psi (0–0.2 MPa, 0–2 bar) range; includes gauge; for 233491, 233748, 233749; see manual 308325	1
11	115948	ELBOW; 1/4 npt(m) x 0.312 in. (8 mm) OD tubing	2	214895		REGULATOR, fluid; sst 0–100 psi (0–0.6 MPa, 0–7 bar) range; for 233492; see manual 307212	1
12	buy locally	TUBE; polyethylene; 0.312 in. (8 mm) OD	0.5 ft	58	187874	GAUGE, pressure, fluid; sst; for 233492	1
14	114363	VALVE, ball, fluid; sst; 3/8 npt(fbe)	1	59	165198	NIPPLE; cst; 1/4 npt x 3/8 npt; for 233491, 233748, 233749	1
15	116314	ELBOW; 3/8 npt(m) x 0.25 in. (6 mm) OD tubing	1	171195		NIPPLE; sst; 3/8 npsm x 3/8 npt; for 233492	1
16	buy locally	TUBE; polyethylene; 0.25 in. (6 mm) OD	6.3 ft	60	233499	HOSE ASSY; sst fittings; 3/8 npsm(f) nylon fluid hose; 1/4 npsm(f) air hose; 25 ft (7.6 m); for 233490, 233492, 233489, 233491	1
22	197449	SPACER	4	240425		HOSE ASSY, electrostatic; 3/8 npsm(f) nylon fluid hose; 1/4 npsm(f) air hose with ground wire and left-hand thread; 25 ft (7.6 m); for 233748, 233749, and 289631	1
30	108190	GAUGE, pressure, air	2				
31	197426	BRACKET, wall mount	1				
32	191892	FITTING, elbow, street; 90°	2				
39	104034	WASHER; 5/16 size	2				
45	113786	TEE; cst; 3/8 npt(m); for 233487, 233489, 233491, 233748, 233749	1				
	116400	TEE; sst; 3/8 npt(m); for 233488, 233490, 233492	1				
47	116350	BUSHING; sst; 3/4 npt(m) x 3/8 npt(f)	1				
48	162485	NIPPLE; cst; 3/8 npsm x 3/8 npt; for 233487, 233489, 233491, 233748, 233479	1				
	112100	NIPPLE; sst; 9/16–18 x 3/8 npt; for 233488, 233490, 233492	1				
55	For guns L40T10, L60T10, and L85T10 see manual 3A2494						
	L40T10	GUN, Pro Xp 40 electrostatic; for 233748	1				
	L60T10	GUN, Pro Xp 60 electrostatic; for 233749	1				
	L85T10	GUN, Pro Xp 85 electrostatic; for 289631	1				

# Technical Data

Category	Data
Maximum fluid working pressure	100 psi (0.7 MPa, 7 bar)
Maximum incoming air pressure	100 psi (0.7 MPa, 7 bar)
Maximum operating temperature	120° F (49° C)
Wetted Parts:	
Pump	See pump instruction manual 309303.
Gun	See gun instruction manuals 312414 or 3A2494.
Fluid pressure regulator	See regulator instruction manuals 307212 or 308325.
Fluid hoses, aluminum packages	nylon, nickel-plated carbon steel (cst), LDPE/rubber blend (suction hose), aluminum
Fluid hoses, stainless steel packages	nylon, stainless steel (sst), LDPE/rubber blend (suction hose)
Fluid hoses, electrostatic packages	nylon, nickel-chrome plated carbon steel (cst), LDPE/rubber blend (suction hose)
Fluid fittings, aluminum packages	Zinc-plated carbon steel (cst), stainless steel (sst), polypropylene, polyethylene
Fluid fittings, stainless steel packages	Stainless steel (sst), polypropylene, polyethylene
Pail cover, aluminum packages	Zinc-plated carbon steel (cst)
Pail cover, stainless steel packages	Stainless steel (sst)
Weight (without hoses or gun):	
Pail mount packages	Aluminum: 22 lb (10 kg) Stainless Steel: 28 lb (12.7 kg)
Stand mount packages	Aluminum: 20 lb (9.1 kg) Stainless Steel: 27 lb (12.3 kg)
Cart mount packages	Aluminum: 30 lb (13.6 kg) Stainless Steel: 36 lb (16.4 kg)
Wall mount packages	Aluminum: 19 lb (8.6 kg) Stainless Steel: 24 lb (10.9 kg)

## Sound Pressure Levels in dB(A)\* (measured at 1 m from unit)

Input Air Pressures	Sound Pressure
Pump: 20 psi (0.14 MPa, 1.4 bar), Fluid Regulator: 5 psi (0.035 MPa, 0.35 bar)	64.7
Pump: 40 psi (0.28 MPa, 2.8 bar), Fluid Regulator: 15 psi (0.105 MPa, 1.05 bar)	68.5
Pump: 40 psi (0.28 MPa, 2.8 bar), No Fluid Regulator	69.1
Pump: 40 psi (0.28 MPa, 2.8 bar), Circulation Mode	69.2
Pump: 60 psi (0.42 MPa, 4.2 bar), No Fluid Regulator	72.1

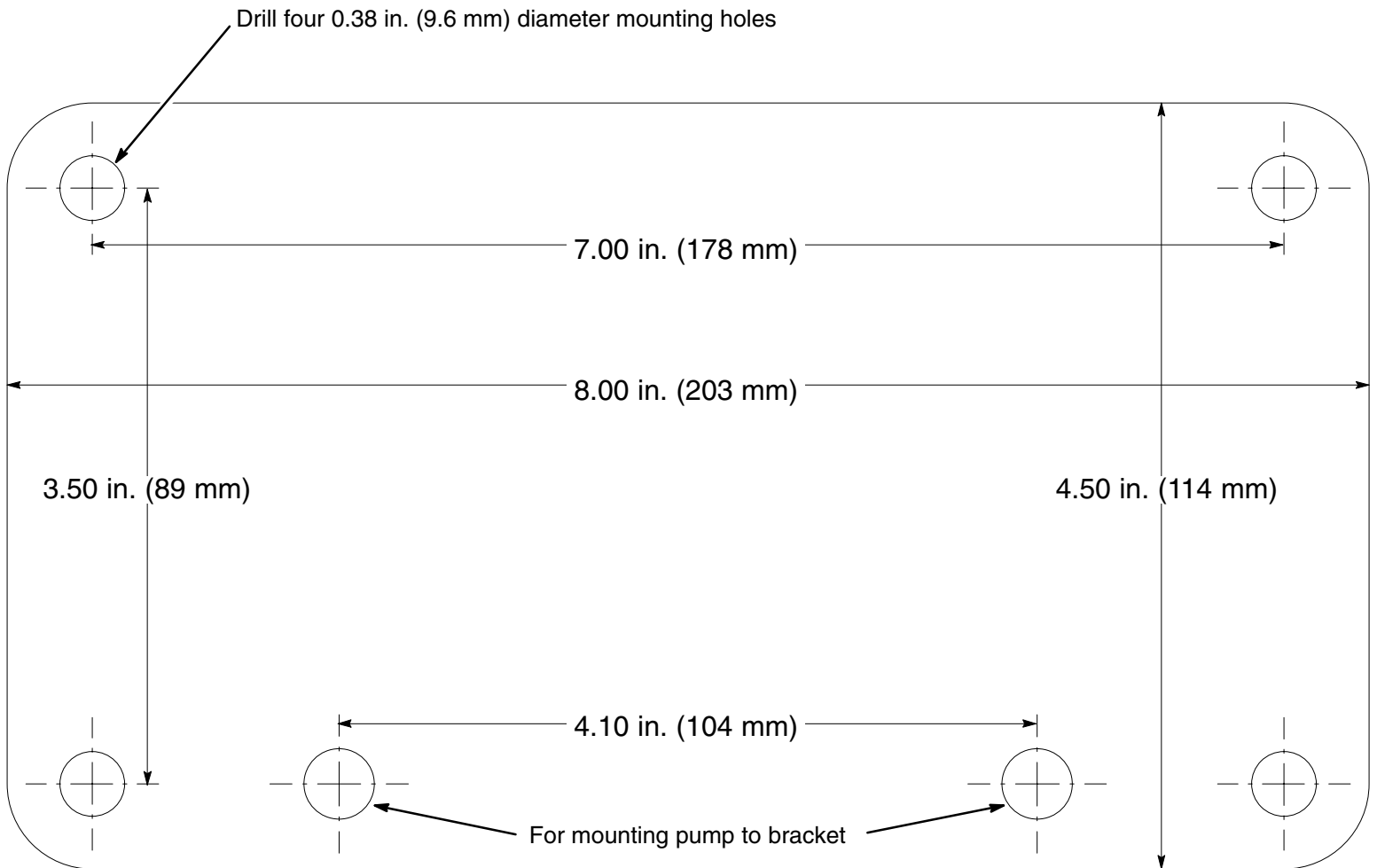
## Sound Power Levels in dB(A)\* (tested in accordance with ISO 3744)

Input Air Pressures	Sound Power
Pump: 20 psi (0.14 MPa, 1.4 bar), Fluid Regulator: 5 psi (0.035 MPa, 0.35 bar)	76.3
Pump: 40 psi (0.28 MPa, 2.8 bar), Fluid Regulator: 15 psi (0.105 MPa, 1.05 bar)	80.1
Pump: 40 psi (0.28 MPa, 2.8 bar), No Fluid Regulator	80.8
Pump: 40 psi (0.28 MPa, 2.8 bar), Circulation Mode	80.8
Pump: 60 psi (0.42 MPa, 4.2 bar), No Fluid Regulator	83.7

\* Sound readings are for bare packages only. Refer to the separate gun manual for gun sound data.

# Wall Mounting Template

Use this drawing as a template to drill mounting holes in the wall.  
Verify that the dimensions are exact and the hole locations are level before drilling the holes.



# Graco Standard Warranty

Graco warrants all equipment manufactured by Graco and bearing its name to be free from defects in material and workmanship on the date of sale to the original purchaser for use. With the exception of any special, extended, or limited warranty published by Graco, Graco will, for a period of thirty-six months from the date of sale, repair or replace any part of the equipment determined by Graco to be defective. This warranty applies only when the equipment is installed, operated and maintained in accordance with Graco's written recommendations.

This warranty does not cover, and Graco shall not be liable for general wear and tear, or any malfunction, damage or wear caused by faulty installation, misapplication, abrasion, corrosion, inadequate or improper maintenance, negligence, accident, tampering, or substitution of non-Graco component parts. Nor shall Graco be liable for malfunction, damage or wear caused by the incompatibility of Graco equipment with structures, accessories, equipment or materials not supplied by Graco, or the improper design, manufacture, installation, operation or maintenance of structures, accessories, equipment or materials not supplied by Graco.

This warranty is conditioned upon the prepaid return of the equipment claimed to be defective to an authorized Graco distributor for verification of the claimed defect. If the claimed defect is verified, Graco will repair or replace free of charge any defective parts. The equipment will be returned to the original purchaser transportation prepaid. If inspection of the equipment does not disclose any defect in material or workmanship, repairs will be made at a reasonable charge, which charges may include the costs of parts, labor, and transportation.

**THIS WARRANTY IS EXCLUSIVE, AND IS IN LIEU OF ANY OTHER WARRANTIES, EXPRESS OR IMPLIED, INCLUDING BUT NOT LIMITED TO WARRANTY OF MERCHANTABILITY OR WARRANTY OF FITNESS FOR A PARTICULAR PURPOSE.**

Graco's sole obligation and buyer's sole remedy for any breach of warranty shall be as set forth above. The buyer agrees that no other remedy (including, but not limited to, incidental or consequential damages for lost profits, lost sales, injury to person or property, or any other incidental or consequential loss) shall be available. Any action for breach of warranty must be brought within four (4) years of the date of sale.

Graco makes no warranty, and disclaims all implied warranties of merchantability and fitness for a particular purpose in connection with accessories, equipment, materials or components sold but not manufactured by Graco. These items sold, but not manufactured by Graco (such as electric motors, switches, hose, etc.), are subject to the warranty, if any, of their manufacturer. Graco will provide purchaser with reasonable assistance in making any claim for breach of these warranties.

In no event will Graco be liable for indirect, incidental, special or consequential damages resulting from Graco supplying equipment hereunder, or the furnishing, performance, or use of any products or other goods sold hereto, whether due to a breach of contract, breach of warranty, the negligence of Graco, or otherwise.

## **FOR GRACO CANADA CUSTOMERS**

The parties acknowledge that they have required that the present document, as well as all documents, notices and legal proceedings entered into, given or instituted pursuant hereto or relating directly or indirectly hereto, be drawn up in English. Les parties reconnaissent avoir convenu que la rédaction du présente document sera en Anglais, ainsi que tous documents, avis et procédures judiciaires exécutés, donnés ou intentés à la suite de ou en rapport, directement ou indirectement, avec les procédures concernées.

## Graco Information

For the latest information about Graco products, visit [www.graco.com](http://www.graco.com).

For patent information, see [www.graco.com/patents](http://www.graco.com/patents).

**TO PLACE AN ORDER**, contact your Graco distributor or call to identify the distributor closest to you:

**Phone:** 612-623-6921 or **Toll Free:** 1-800-328-0211 **Fax:** 612-378-3505

*All written and visual data contained in this document reflects the latest product information available at the time of publication. Graco reserves the right to make changes at any time without notice.*

Original instructions. This manual contains English. MM 309304

**Graco Headquarters:** Minneapolis  
**International Offices:** Belgium, China, Japan, Korea

**GRACO INC. AND SUBSIDIARIES • P.O. BOX 1441 • MINNEAPOLIS MN 55440-1441 • USA**  
Copyright 2001, Graco Inc. All Graco manufacturing locations are registered to ISO 9001.

**[www.graco.com](http://www.graco.com)**

Revised October 2012