

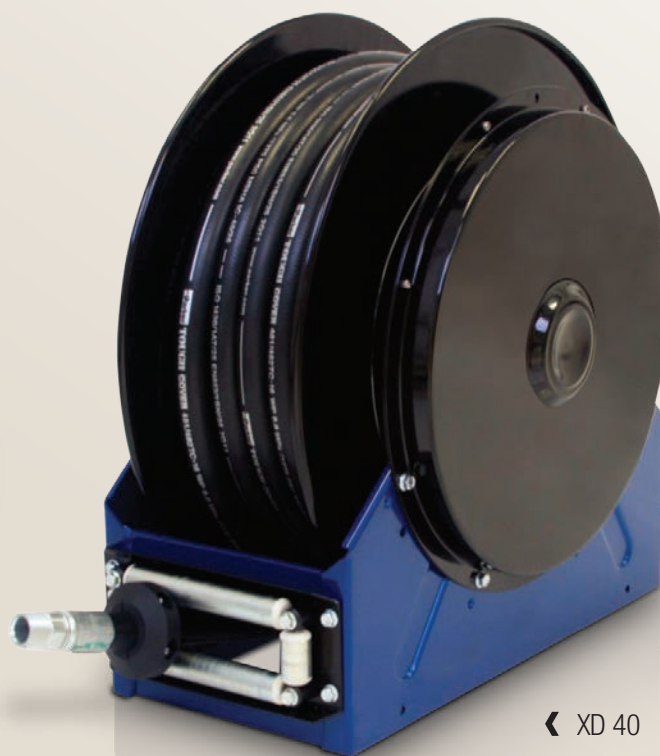


XD 40™ - XD 50™ Hose Reels

Rugged and Efficient. Get work done faster with more flow,
higher pressures and a durable long-life design.



XD 50 ▶



◀ XD 40

PROVEN QUALITY. LEADING TECHNOLOGY.

The complete Package



From Bulk Tank to Dispense Point

Graco's line of pumps, reels and dispense accessories creates a fully integrated system—all manufactured with performance in mind to keep you working efficiently.

Innovation

We innovate, and then test to make sure it meets Graco's incredibly high standards. Graco products are designed with features you can really use, like high flow capabilities and strong materials so your equipment will perform when you need it. All backed by top-notch customer support and worldwide experts that sell and service everything we manufacture. You get more value from the products that benefit your bottom line.

Typical Applications

- Heavy-duty truck dealers
- Fleet maintenance
- Mining maintenance
- Public works garages
- Construction vehicle maintenance
- Heavy-duty mobile service trucks

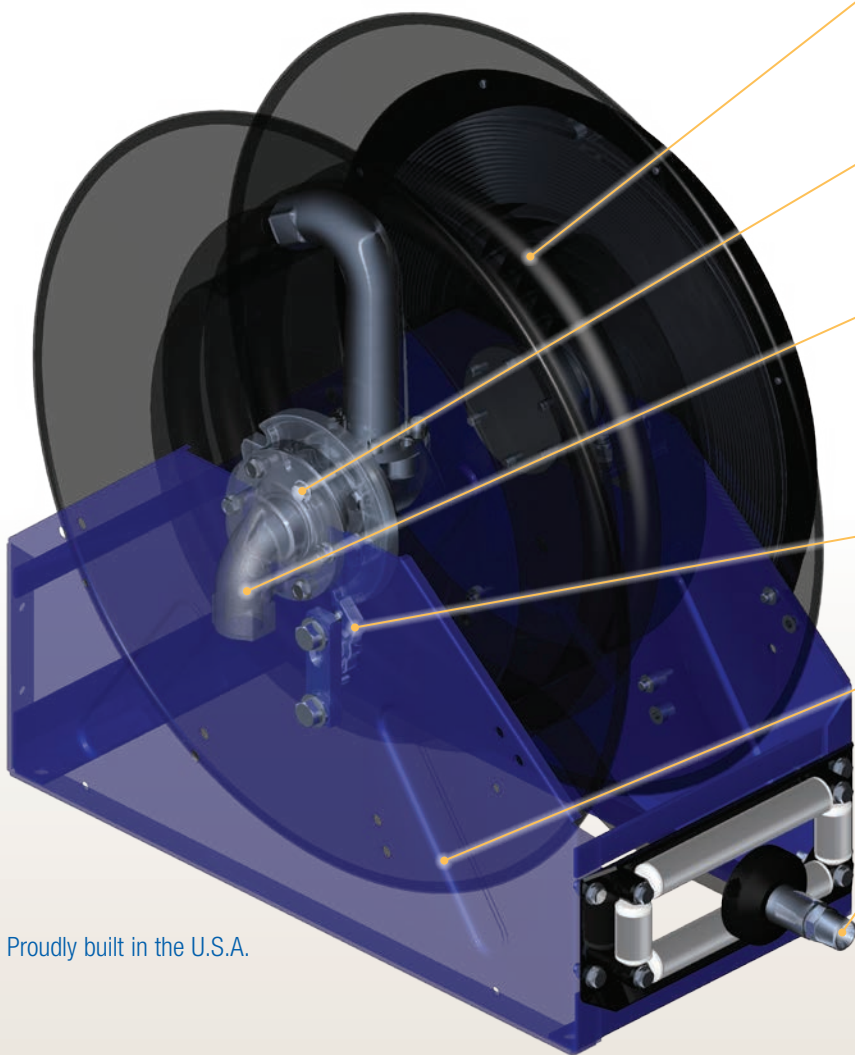
Typical Fluids Handled

- Petroleum and synthetic based oils
- Fuel
- Air
- Water
- Anti-freeze
- Waste Oil



Toughness is Built-in

Engineered to take a beating and still reliably perform in harsh environments so it's ready when you need it. Choose more colours, thread types and hoses, or choose the bare reel so you can customize it with your hose. You get a professional look, easier fit and faster performing equipment.



Proudly built in the U.S.A.

Expanded Hose Offering

Standard models come complete with factory installed hoses on the reel. We have a large selection to fit your application.

No limit to Where it Fits

Rotatable inlet position makes mounting easier in more applications so there's almost no limit to where it fits.

More Flow—Less Pressure Drop

A Graco exclusive—breakthrough swivel design allows better flow to get work done faster. Materials are corrosion resistant and strong for long lasting performance.

Won't Lockout

Improved ratchet design has one set of teeth instead of two to avoid reel lockout.

Rugged and Durable Body

Heavy-duty welded spool is stronger than bolted frames that can loosen with use. Ribs add extra strength for toughness over the long haul.

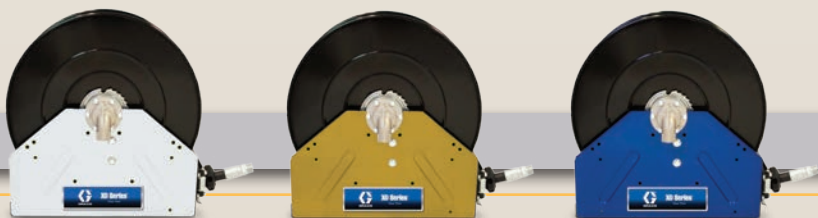
Meets Worldwide Needs

Built with NPT, BSPP or BSPT threads means accessories screw right on without the need for adapters. You have fewer leak points...all with global approvals, so you can install it anywhere in the world.

**7 YEAR
WARRANTY**
1 Year on wear
components

More Colours

Choose from these colours for a professional look.



Technical Specifications - NPT

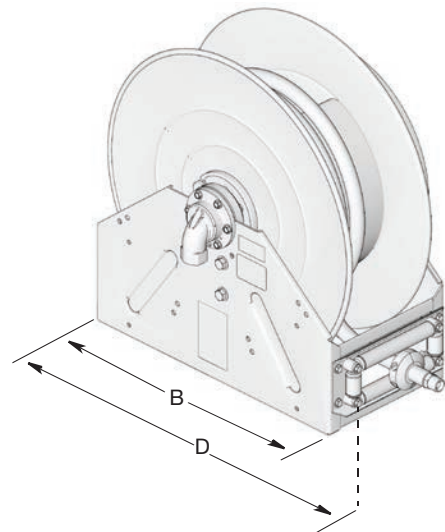
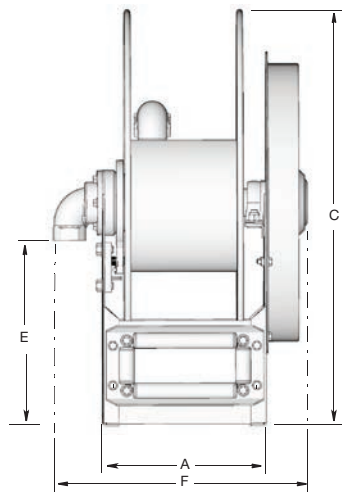
NPT connections											
Reel with Hose Ordering Information					Technical Specifications						
Applications		Model numbers by colour			Pressure bar (psi)	Hose		Dimension "F"	Connection Size		Operating Temperature
		Blue	Yellow	White		id in	Length m (ft)		Inlet npt (f)	Outlet npt (m)	
Air/Water	XD 40	24P327	24P328	24P329	21 (300)	1/2	30 (100)	Model 1	1	1/2	-28°-82° C (-20°-180° F)
		24P330	24P331	24P332	21 (300)	3/4	23 (75)		1	3/4	
		24P333	24P334	24P335	21 (300)	3/4	30 (100)		1	3/4	
		24P336	24P337	24P338	21 (300)	1	15 (50)		1	1	
	XD 50	24P470	24P471	24P472	21 (300)	1	23 (75)	Model 3	1	1	
		24P473	24P474	24P475	21 (300)	1	30 (100)		1	1	
Oil	XD 40	24P339	24P340	24P341	138 (2000)	1/2	30 (100)	Model 2	1	1/2	-40°-82° C (-40°-180° F)
		24P342*	24P343*	24P344*	103 (1500)	3/4	23 (75)	Model 1	1	3/4	
		24R857†	24R859†	24R860†	103 (1500)	3/4	23 (75)	Model 2	1	3/4	
		24P345	24P346	24P347	103 (1500)	3/4	30 (100)		1	3/4	
		24P348*	24P349*	24P350*	88 (1275)	1	15 (50)	Model 1	1	1	
		24R861†	24R862†	24R863†	88 (1275)	1	15 (50)	Model 2	1	1	
	XD 50	24P476	24P477	24P478	88 (1275)	1	23 (75)	Model 3	1	1	
Waste Oil Evacuation	XD 40	24P351	24P352	24P353	17 (250)	1	15 (50)	Model 1	1	1	-40°-82° C (-40°-180° F)
	XD 50	24P479	24P480	24P481	14 (200)	1 1/4	11 (35)	Model 4	1 1/2	1 1/4	
		24P482	24P483	24P484	14 (200)	1 1/4	15 (50)		1 1/2	1 1/4	
Fuel	XD 40	24P354	24P355	24P356	17 (250)	1	15 (50)	Model 1	1	1	-40°-82° C (-40°-180° F)
	XD 50	24P485	24P486	24P487	17 (250)	1	23 (75)	Model 3	1	1	
		24P488	24P489	24P490	17 (250)	1	30 (100)		1	1	
		24P491	24P492	24P493	17 (250)	1 1/4	11 (35)	Model 4	1 1/2	1 1/4	
		24P494	24P495	24P496	17 (250)	1 1/4	15 (50)		1 1/2	1 1/4	
		24P497	24P498	24P499	10 (150)	1 1/2	15 (50)		1 1/2	1 1/2	

*Truck/bench mount only.
† Overhead or truck mount.

See manual 3A2990 on graco.com for more dimensional information.

Dimensions

XD 40 REELS	
A	300 mm (11.83 in)
B	610 mm (24 in)
C	664 mm (26.13 in)
D	671 mm (26.4 in)
E	277 mm (10.91 in)
F: Model 1	420 mm (16.54 in)
F: Model 2	444 mm (17.47 in)
XD 50 REELS	
A	300 mm (11.83 in)
B	724 mm (28.5 in)
C	765 mm (30.13 in)
D	747 mm (29.4 in)
E	277 mm (10.91 in)
F: Model 3	444 mm (17.47 in)
F: Model 4	463 mm (18.24 in)



Technical Specifications - NPT

NPT connections

Bare Reel Ordering Information				Technical Specifications										
Applications		Model numbers by colour			Pressure bar (psi)	Hose Length Capacity		Dimension "F"	Connection Size		Operating Temperature			
		Blue	Yellow	White		id in	Length m (ft)		Inlet npt (f)	Outlet npt (f)				
Air/Water	XD 40	24P313	24P315	24P316	41 (600)	1/2	30 (100)	Model 1	1	1	-40°-82° C (-40°-180° F)			
		24P317	24P318	24P319		3/4	23 (75)							
		24P455	24P456	24P457		1	15 (50)					Model 3		
		24P320*	24P322*	24P323*		3/4	30 (100)							
	Oil	XD 40	24R854†	24R855†		24R856†	1	15 (50)				Model 1	1	1
			24P324	24P325		24P326	3/4	23 (75)						
24P458			24P459	24P460	1/2	30 (100)								
24P461			24P462	24P463	3/4	30 (100)								
Waste Oil Evacuation		XD 40	24P317	24P318	24P319	41 (600)	1	15 (50)	Model 1	1		1		
		XD 50	24P461	24P462	24P463	1 1/4	11 (35) 15 (50)	Model 4	1 1/2	1 1/2				
Fuel	XD 40	24P317	24P318	24P319	41 (600)	1	15 (50)	Model 1	1	1				
	XD 50	24P455	24P456	24P457		1	30 (100)	Model 3	1	1				
		24P461	24P462	24P463		1 1/4	11 (35) 15 (50)	Model 4	1 1/2	1 1/2				
		24P464	24P465	24P466		1	23 (75)	Model 3	1	1				
		24P467	24P468	24P469		1 1/2	15 (50)	Model 4	1 1/2	1 1/2				

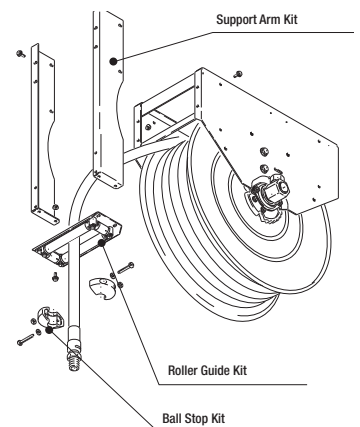
*Truck/bench mount only.

† Overhead or truck mount.

See manual 3A2990 on graco.com for more dimensional information.

Accessories

Inlet Hose Kits		Pressure bar (psi)	Hose id mm (in)	Length mm (in)	Hose Inlet
24R111	Inlet kit for Air/Water & Oil, 1"	88 (1275)	25 (1)	711 (28)	npt(m)
24R112	Inlet kit for Waste Oil Evacuation, 1"	17 (250)	25 (1)	711 (28)	npt(m)
24R115	Inlet kit for Fuel, 1"	17 (250)	25 (1)	711 (28)	npt(m)
24R117	Inlet kit for Fuel, 1 1/2"	10 (150)	38 (1.5)	711 (28)	npt(m)
Ball Stop Kits					
237873	Ball stop kit used for 3/4" hose				
237874	Ball stop kit used for 1" hose				
24R060	Ball stop kit used for a 1.25" hose				
24R061	Ball stop kit used for a 1.5" hose				
Arm Kits & Roller Guides					
24R076	Support Arm Kit for XD 40				
24R077	Support Arm Kit for XD 50				
24R072	Roller Guide Kit with Bracket for XD 40				
24R074	Roller Guide Kit with Bracket for XD 50				
237932	Kit for mounting XD40 to overhead I-beam				

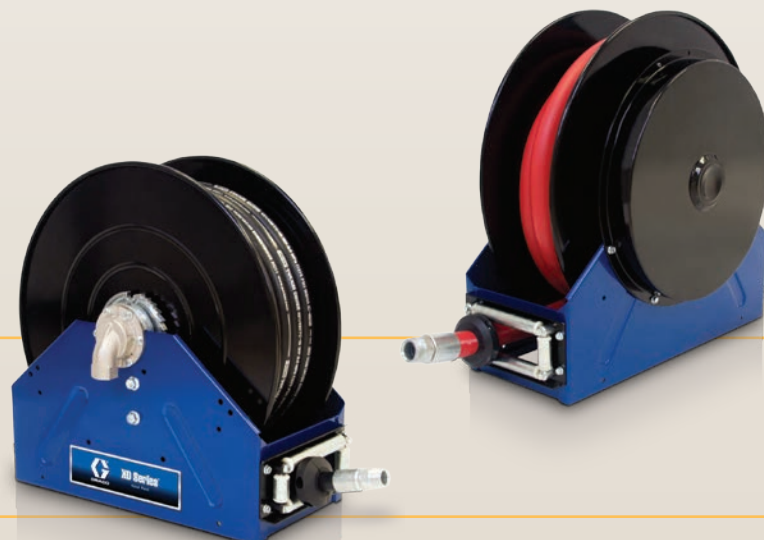


Technical Specifications - BSPP

BSPP connections										
Bare Reel Ordering Information					Technical Specifications					
Applications		Model numbers by colour			Pressure bar (psi)	Hose Length Capacity		Connection Size		Operating Temperature
		Blue	Yellow	White		id in	Length m (ft)	Inlet BSPP (f)	Outlet BSPP (f)	
Air/Water	XD 40	24P364	24P366	34P367	41 (600)	1/2	30 (100)	1	1	-40°-82° C (-40°-182° F)
		24P368	24P369	24P370		3/4	23 (75)			
		24P455	24P456	24P457		1	15 (50)			
	XD 50	24P371*	24P372*	24P373*		3/4	30 (100)			
		24R864†	24R865†	24R866†		1	23 (75)			
		24P374	24P375	24P376		1/2	30 (100)			
Waste Oil Evacuation	XD 40	24P368	24P369	24P370	41 (600)	1	15 (50)	1	1	
	XD 50	24P508	24P509	24P510		1 1/4	11 (35) 15 (50)	1 1/2	1 1/2	
Fuel	XD 40	24P368	24P369	24P370	41 (600)	1	15 (50)	1	1	
		24P500	24P503	24P504		1	30 (100)	1	1	
	XD 50	24P508	24P509	24P510		1 1/4	11 (35) 15 (50)	1 1/2	1 1/2	
		24P511	24P512	24P513		1	23 (75)	1	1	
		24P514	24P515	24P516		1 1/2	15 (50)	1 1/2	1 1/2	

*Truck/bench mount only.
† Overhead or truck mount.

See manual 3A2990 on graco.com for more dimensional information.

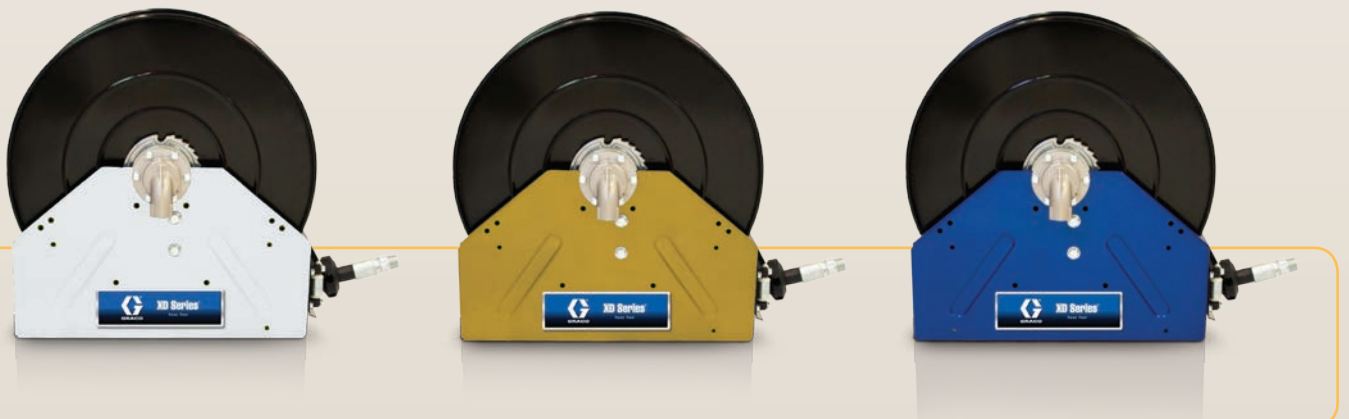


Technical Specifications - BSPT

BSPT connections										
Bare Reel Ordering Information					Technical Specifications					
Applications		Model numbers by colour			Pressure bar (psi)	Hose Length Capacity		Connection Size		Operating Temperature
		Blue	Yellow	White		id in	Length m (ft)	Inlet BSPT (f)	Outlet BSPT (f)	
Air/Water	XD 40	24P407	24P408	24P409	41 (600)	1/2	30 (100)	1	1	-40°-82° C (-40°-182° F)
		24P410	24P411	24P412		3/4	23 (75)			
		24P549	24P550	24P551		1	15 (50)			
	XD 50	24P549	24P550	24P551		3/4	30 (100)			
		24P549	24P550	24P551		1	23 (75)			
		24P549	24P550	24P551		1	30 (100)			
Oil	XD 40	24P413*	24P414*	24P415*	138 (2000)	1	15 (50)	1	1	
		24R867†	24R868†	24R869†		3/4	23 (75)			
		24P416	24P417	24P418		1	15 (50)			
		24P416	24P417	24P418		3/4	23 (75)			
	XD 50	24P552	24P553	24P554		1/2	30 (100)			
		24P552	24P553	24P554		3/4	30 (100)			
		24P552	24P553	24P554		1	23 (75)			
Waste Oil Evacuation	XD 40	24P410	24P411	24P412	41 (600)	1	15 (50)	1	1	
	XD 50	24P555	24P556	24P558		1 1/4	11 (35) 15 (50)	1 1/2	1 1/2	
Fuel	XD 40	24P410	24P411	24P412	41 (600)	1	15 (50)	1	1	
	XD 50	24P549	24P550	24P551		1	30 (100)	1	1	
		24P555	24P556	24P558		1 1/4	11 (35) 15 (50)	1 1/2	1 1/2	
		24P559	24P560	24P561		1	23 (75)	1	1	
		24P563	24P564	24P565		1 1/2	15 (50)	1 1/2	1 1/2	

*Truck/bench mount only.
† Overhead or truck mount.

See manual 3A2990 on graco.com for more dimensional information.





ABOUT GRACO

Founded in 1926, Graco is a world leader in fluid handling systems and components. Graco products move, measure, control, dispense and apply a wide range of fluids and viscous materials used in vehicle lubrication, commercial and industrial settings.

The company's success is based on its unwavering commitment to technical excellence, world-class manufacturing and unparalleled customer service. Working closely with qualified distributors, Graco offers systems, products and technology that set the quality standard in a wide range of fluid handling solutions. Graco provides equipment for spray finishing, protective coating, paint circulation, lubrication, and dispensing sealants and adhesives, along with power application equipment for the contractor industry. Graco's ongoing investment in fluid management and control will continue to provide innovative solutions to a diverse global market.

GRACO LOCATIONS

MAILING ADDRESS

P.O. Box 1441
Minneapolis, MN 55440-1441
Tel: 612-623-6000
Fax: 612-623-6777

AMERICAS

MINNESOTA

Worldwide Headquarters
Graco Inc.
88-11th Avenue N.E.
Minneapolis, MN 55413

EUROPE

BELGIUM

European Headquarters
Graco BVBA
Industrieterrein-Oude Bunders
Slakweidestraat 31
3630 Maasmechelen,
Belgium
Tel: 32 89 770 700
Fax: 32 89 770 777

ASIA PACIFIC

AUSTRALIA

Graco Australia Pty Ltd.
Suite 17, 2 Enterprise Drive
Bundoora, Victoria 3083
Australia
Tel: 61 3 9468 8500
Fax: 61 3 9468 8599

CHINA

Graco Hong Kong Ltd.
Shanghai Representative Office
Building 7
1029 Zhongshan Road South
Huangpu District
Shanghai 200011
The People's Republic of China
Tel: 86 21 649 50088
Fax: 86 21 649 50077

INDIA

Graco Hong Kong Ltd.
India Liaison Office
Room 432, Augusta Point
Regus Business Centre 53
Golf Course Road
Gurgaon, Haryana
India 122001
Tel: 91 124 435 4208
Fax: 91 124 435 4001

JAPAN

Graco K.K.
1-27-12 Hayabuchi
Tsuzuki-ku
Yokohama City, Japan 2240025
Tel: 81 45 593 7300
Fax: 81 45 593 7301

KOREA

Graco Korea Inc.
Shinhan Bank Building
4th Floor #1599
Gwanyang-Dong, Dongan-Ku,
Anyang-si, Korea 431-060
Tel: 82 31 476 9400
Fax: 82 31 476 9801

All written and visual data contained in this document are based on the latest product information available at the time of publication. Graco reserves the right to make changes at any time without notice.

Graco is certified ISO 9001.



Europe
+32 89 770 700
FAX +32 89 770 777
WWW.GRACO.COM

©2013 Graco BVBA 340979ENEU Rev. A 05/13 Printed in Europe.
All other brand names or marks are used for identification purposes and are trademarks of their respective owners.