

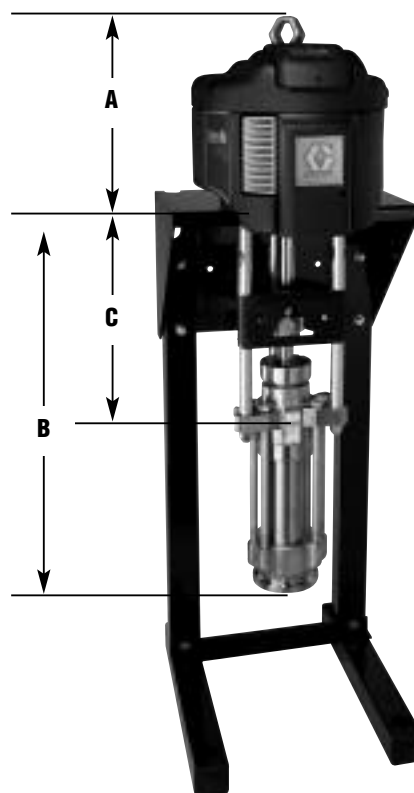
Dura-Flo™ & Xtreme®

290cc Pneumatic Supply Pumps

Durable pumps with long-life packing design

- Positive displacement, 2 ball piston design provides uniform and easily controlled delivery
- High pump pressure and flow performance to handle a broad range of paints and coatings
- Improved serviceability with fewer parts, faster repairs and lower ownership costs

Dimensions



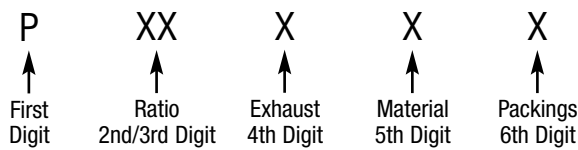
	A	B	C
Dura-Flo	34 cm (13.52 in)	73 cm (28.62 in)	43 cm (16.79 in)
Xtreme	34 cm (13.52 in)	74 cm (29.3 in)	47 cm (18.56 in)

Technical Specifications

Model	Ratio	Max Inlet Pressure bar (psi)	Max Fluid Pressure bar (psi)	Fluid Flow @ 60 cpm lpm (gpm)	Inlet	Outlet	Pump Lower Material	Volume/ cycle cc (oz)	Weight
Dura-Flo 16S290	16:1	7 (100)	105 (1520)	18 (4.6)	2" npt	1" npt	SS	290 (10)	56 kg (123 lb)
Xtreme 16C290	16:1	7 (100)	105 (1520)	18 (4.6)	1-1/4" npt	1" npt	CS	290 (10)	56 kg (123 lb)
Dura-Flo 25S290	25:1	7 (100)	164 (2380)	18 (4.6)	2" npt	1" npt	SS	290 (10)	58 kg (127 lb)
Xtreme 25C290	25:1	7 (100)	164 (2380)	18 (4.6)	1-1/4" npt	1" npt	CS	290 (10)	58 kg (127 lb)
Dura-Flo 45S290	45:1	7 (100)	314 (4550)	18 (4.6)	2" npt	1" npt	SS	290 (10)	67 kg (146 lb)

Ordering Information

Dura-Flo and Xtreme 290cc



Ratio		Exhaust			Material	Packings		
Char	Motor	Char	Exhaust	Smarts		Char	Packing	Lower part number
16	2200	D	De-Icing	None	C = Carbon Steel S = Stainless Steel	1	3 Xtreme/2 leather	L290C1 (CS) or L29AC1
25	3400	E	De-Icing	DataTrak		E	4 Leather/1 PTFE	237514 or 247192 (SS)
45	6500	L	Low Noise	None				
		M	Low Noise	DataTrak				

Standard Kits

- 244854** Xtreme / Leather seal and ball kit (for Xtreme)
- 237178** Leather seal and ball kit (for Dura-Flo)
- 197319** Xtreme cylinder
- 184540** Dura-Flo cylinder
- 197324** Xtreme piston rod
- 184487** Dura-Flo piston rod

Optional Kits

- 244904** Tuff-Stack™ seal and ball kit
- 244874** Leather piston packings (10) Xtreme
- 244868** Xtreme piston packings (10) UHMWPE
- 244862** Tuff-Stack piston packings
- 244873** Leather throat seals (10)
- 244867** Xtreme throat seals (10)
- 244861** Tuff-Stack throat seals (10)

Accessories

- NXT011** Integrated air control
- 255143** Wall mount bracket kit
- 253679** Wall mount bracket
- 253692** Floor stand
- 112887** Packing wrench
- 247312** 2200 air motor adapter for mounting to floor stand (253692) or to wall mount bracket (253679)

Manuals

- 311828** Dura-Flo pump manual
- 311762** Xtreme lowers manual
- 311827** Dura-Flo pump lower manual
- 311238** NXT Air Motors manual