

Swivel Kit or Hose Replacement Kit for LD Series Enclosed Hose Reels

313939G

EN

- Swivel or Hose Reel Replacement Instructions -

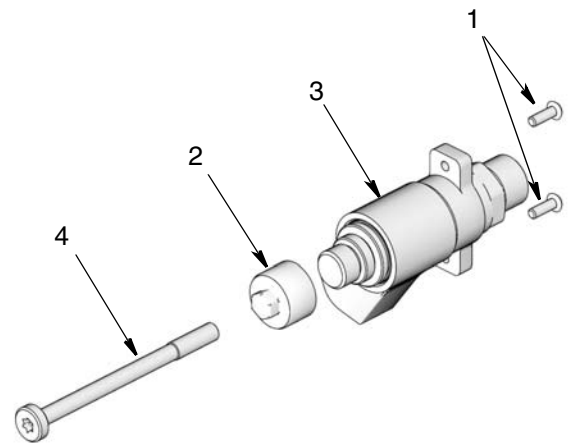


Important Safety Instructions

Read all warnings and instructions in this manual. Save these instructions. For complete Warnings and instructions, see the LD Series Enclosed Hose Reel instruction manual.

Parts Included in Swivel Kit

Ref No.	Description	Qty
1	SCREW	2
2	CAP	1
3	SHAFT	1
4	BOLT	1



Swivel Kit Part Nos.:

Part No.	Models	Material	Maximum Working Pressure psi (MPa / bar)
24C531	24F789 - 24F794; 24J126 - 24J131; HEL33#, HEL34#, 24Y202, 24M277, HEL13#, HEL15#, HEL23#, HEL25#	Air, A/W*	250 (1.7 / 17.2)
24C532	24F795 - 24F796; 24J132 - 24J133; HEM23#, HEM33#, 24M275, 24M276, 24Y203	Oil	1800 (12.4 / 124.1)
24C533	24F797, 24J134, HEH13#	Grease	5000 (34.47 / 344.7)
24H474	24H655 - 24H660	Air, A/W*	250 (1.7 / 17.2)
24H475	24H661 - 24H662	Oil	1800 (12.4 / 124.1)
24H476	24H663	Grease	5000 (34.47 / 344.7)

Hose Replacement Kit Part Nos.:

Part No.	Models	Description (mm ID x m)	Maximum Working Pressure psi (MPa / bar)	Thread	Material	Hose Dimensions (in. x ft)
262214	24F789	6 x 10	250 (1.7 / 17.2)	BSPT	Air	1/4 x 35
262216	24F790	6 x 15	250 (1.7 / 17.2)	BSPT	Air	1/4 x 50
262218	24F791	10 x 10	250 (1.7 / 17.2)	BSPT	A/W*	3/8 x 35
262220	24F792	10 x 15	250 (1.7 / 17.2)	BSPT	A/W*	3/8 x 50
262222	24F793	12 x 10	250 (1.7 / 17.2)	BSPT	A/W*	1/2 x 35
262224	24F794	12 x 14	1800 (12.4 / 124)	BSPT	Oil	1/4 x 35
262226	24F795	10 x 10	1800 (12.4 / 124)	BSPT	Oil	1/2 x 45
262227	24F796	12 x 10	5000 (34.47 / 344.7)	BSPT	Grease	1/4 x 35
262232	24F797	6 x 10	250 (1.7 / 17.2)	BSPT	Oil	1/2 x 45
262584	24H655	6 x 10	250 (1.7 / 17.2)	NPT	Air	1/4 x 35
262585	24H656	6 x 15	250 (1.7 / 17.2)	NPT	Air	1/4 x 50
262586	24H657	10 x 10	250 (1.7 / 17.2)	NPT	A/W*	3/8 x 35
262587	24H658	10 x 15	250 (1.7 / 17.2)	NPT	A/W*	3/8 x 50
262588	24H659	12 x 10	250 (1.7 / 17.2)	NPT	A/W*	1/2 x 35
262589	24H661	10 x 10	1800 (12.4 / 124)	NPT	Oil	3/8 x 35
262590	24H662	12 x 10	5000 (34.47 / 344.7)	NPT	Oil	1/2 x 35
262591	24H663	6 x 10	250 (1.7 / 17.2)	NPT	Grease	1/4 x 35
262592	24H660	12 x 14	1800 (12.4 / 124)	NPT	A/W*	1/4 x 45
24J295	24J126	6 x 10	250 (1.7 / 17.2)	BSPP	Air	1/4 x 35
24J296	24J127	6 x 15	250 (1.7 / 17.2)	BSPP	Air	1/4 x 50
24J297	24J128	10 x 10	250 (1.7 / 17.2)	BSPP	A/W*	3/8 x 35
24J298	24J129	10 x 15	250 (1.7 / 17.2)	BSPP	A/W*	3/8 x 50
24J299	24J130	12 x 10	250 (1.7 / 17.2)	BSPP	A/W*	1/2 x 35
24J300	24J131	10 x 10	2000 (13.8 / 137.8)	BSPP	Oil	3/8 x 35
24J301	24J132	12 x 10	2000 (13.8 / 137.8)	BSPP	Oil	1/2 x 35
24J302	24J133	6 x 10	5000 (34.47 / 344.7)	BSPP	Air	1/4 x 35
24J303	24J134	10 x 14	250 (1.7 / 17.2)	BSPP	A/W*	1/2 x 45

* A/W = Air/Water

Warnings

⚠ WARNING

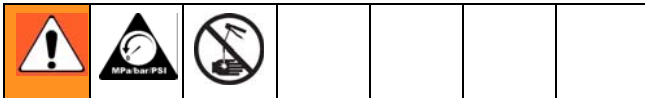


SKIN INJECTION HAZARD

High-pressure fluid from dispense device, hose leaks, or ruptured components will pierce skin. This may look like just a cut, but it is a serious injury that can result in amputation. **Get immediate surgical treatment.**

- Do not point dispense device at anyone or at any part of the body.
- Do not put your hand over the end of the dispense outlet.
- Do not stop or deflect leaks with your hand, body, glove, or rag.
- Follow **Pressure Relief Procedure** in this manual, when you stop dispensing and before cleaning, checking, or servicing equipment.

Pressure Relief Procedure



1. Close the supply pump's bleed-type master air valve (required for pneumatic systems) or close individual inlet ball valve to isolate reel from distribution system (FIG. 1).



FIG. 1

2. Open dispensing valve into a waste container until pressure is relieved (FIG. 2).





FIG. 2

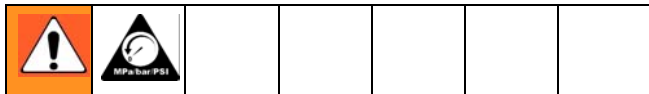
3. Leave the dispense valve open until you are ready to use the system again.

*If you suspect that the dispensing valve, extension, or grease fitting coupler is clogged, or that pressure has not been fully relieved after you have followed the steps above, **very slowly** loosen the coupler or hose end coupling to relieve the pressure gradually, then loosen it completely. Then clear the clog.*

Instructions

Disassembly

		
IMPACT HAZARD		
The spring is always under great tension and could be propelled or uncoil with enough force to cause serious injury.		
<ul style="list-style-type: none">• The hose reel spring is not a serviceable part. Do not attempt to replace or service the spring.• Always grasp ratchet handle firmly with both hands when adjusting tension.• When decreasing spring tension, never attempt to turn ratchet more than 1/4 turn with each push-in motion.		
Uncontrolled spinning of the hose reel could cause serious injury if you are hit by the hose or a tool.		
<ul style="list-style-type: none">• Never allow reel to spin freely.• The reel must be bolted securely in place when making adjustments.		



1. **Relieve the pressure** (page 3).

NOTE: If necessary, spring tension can be released **after** the hose reel is removed from the mounting bracket. To remove the hose reel from the mounting bracket, first do Steps 3 - 6 (page 6). Then release spring tension following the instructions provided in Step 2 (a-c).

2. To release spring tension (FIG. 3):

- a. Insert a ratchet over the spring adjustment nut. Turn nut 1/8 turn clockwise.

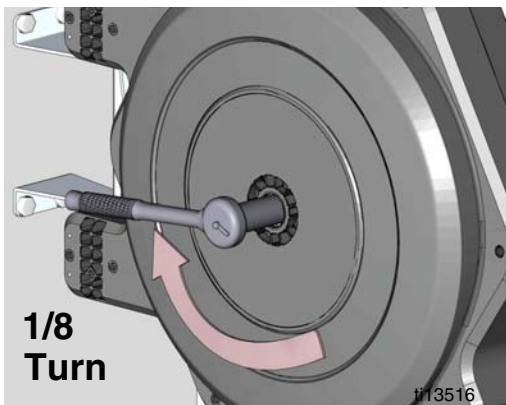


FIG. 3

- b. Push in on ratchet. Grasp handle firmly with both hands; then turn and ratchet counter-clockwise, 1/4 turn ONLY (FIG. 4).

Re-engage the spring adjustment nut by allowing it to move outward while rotating it counter-clockwise and reposition the ratchet.

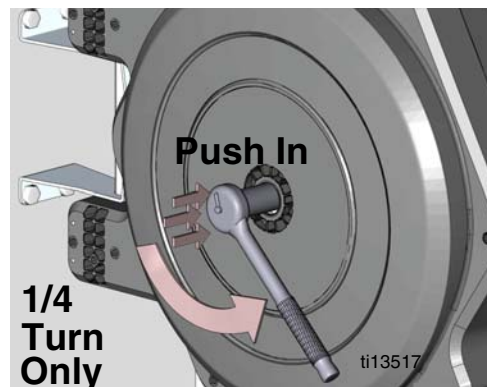


FIG. 4

- c. Repeat this procedure of pushing in and turning ratchet counter-clockwise, ONLY 1/4 turn at a time, until spring tension has been completely released. See Table 1 for the recommended number of 1/4 turns needed to completely release the spring tension.
- d. Turn ratchet 1/8 turn counter-clockwise and remove ratchet.

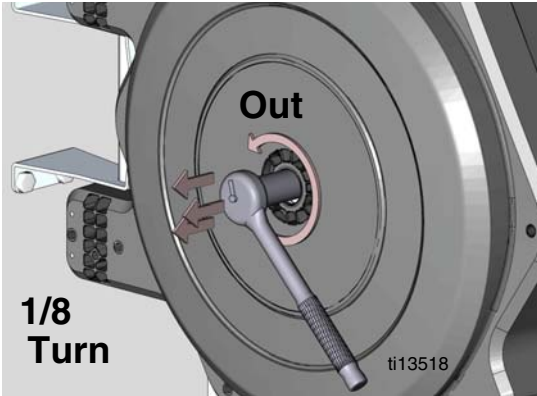


FIG. 5

Table 1: Recommended Turns to Set and Decrease Spring Tension

Model	Approximate No. of Turns	
	Full Turns to Increase Spring Tension	1/4 Turns to Decrease Spring Tension
24F789, 24J126, 24H655, HEL13#,	4	16
24F790, 24J127, 24H656, HEL15	3	12
24F791, 24J128, 24H657, HEL23#, 24Y202	4	16
24F792, 24J129, 24H658, HEL25#	4	16
24F793, 24J130, 24H659, HEL33#	4	16
24F794, 24J131, 24H660, HEL34#	5	20
24F795, 24J132, 24H661, HEM23#	7	28
24F796, 24J133, 24H662, HEM33#, 24Y203	6	24
24F797, 24J134, 24H663, HEH13#	4	16
24M273, 24M276	4	16
24M277	9	36

- 3. Remove inlet hose (a) from swivel (FIG. 6).

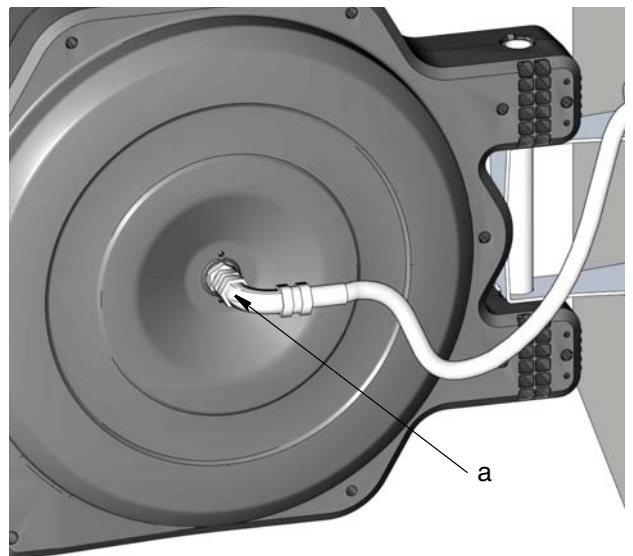


FIG. 6

Instructions

4. To remove hose reel from service:

- a. Insert a screw driver in opening (b) to depress spring pin on mounting tube (FIG. 7).

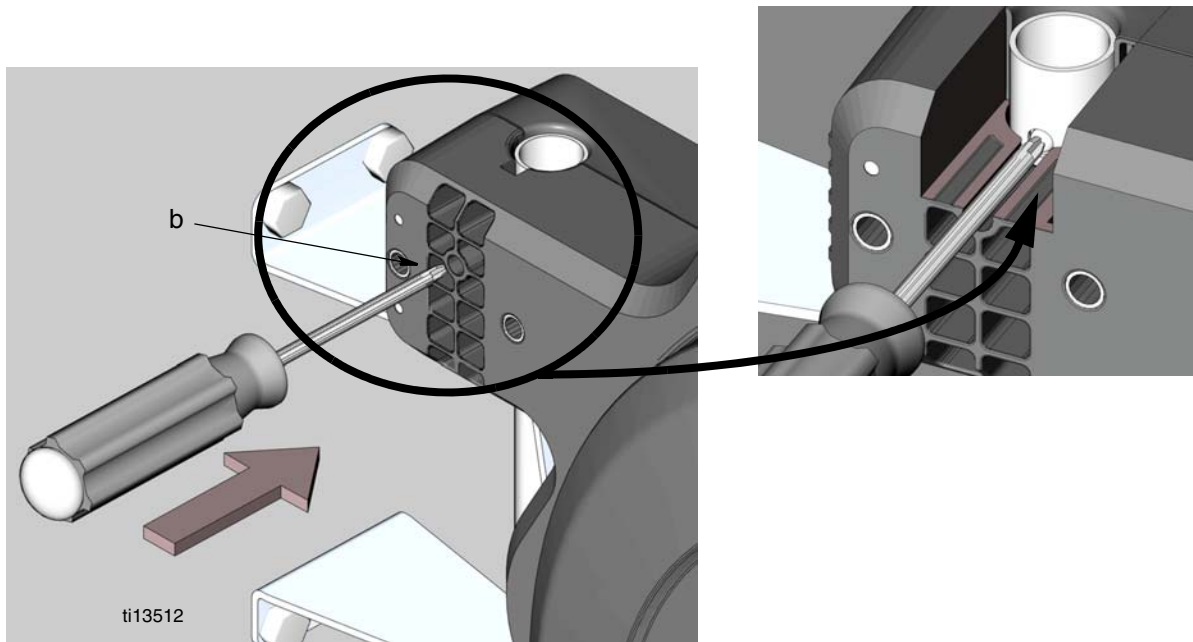


FIG. 7

5. Slide tube (c) out of bracket (FIG. 8).

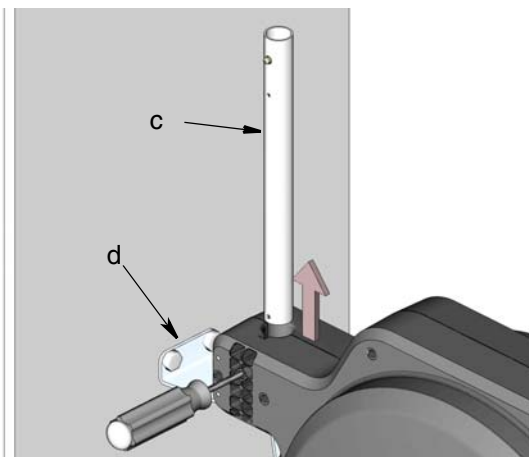


FIG. 8

6. Remove hose reel from mounting bracket (d) (FIG. 9) and lay hose reel on a work bench or flat work surface.

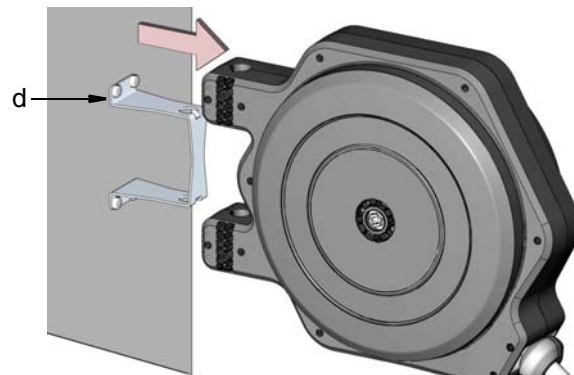


FIG. 9

NOTE: If spring tension was not decreased in Step 2, (page 4) perform the procedure outlined in Step 2 now to decrease spring tension.

7. Remove all screws (e) from side enclosure (f) and remove enclosure from hose reel (FIG. 10). Do not discard these parts, you will need them for reassembly.

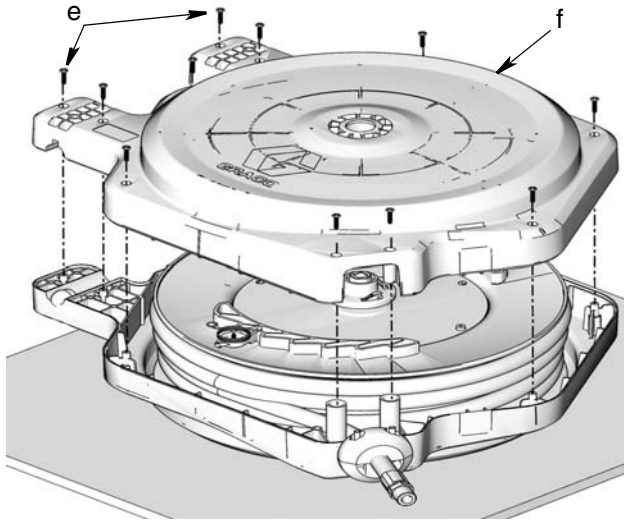


FIG. 10

8. Remove bolt (4), spring adjuster (g) and spring (h) (FIG. 11). Do not discard parts (g) and (h), you will need them for reassembly. A new bolt (4) is included in the swivel kit.

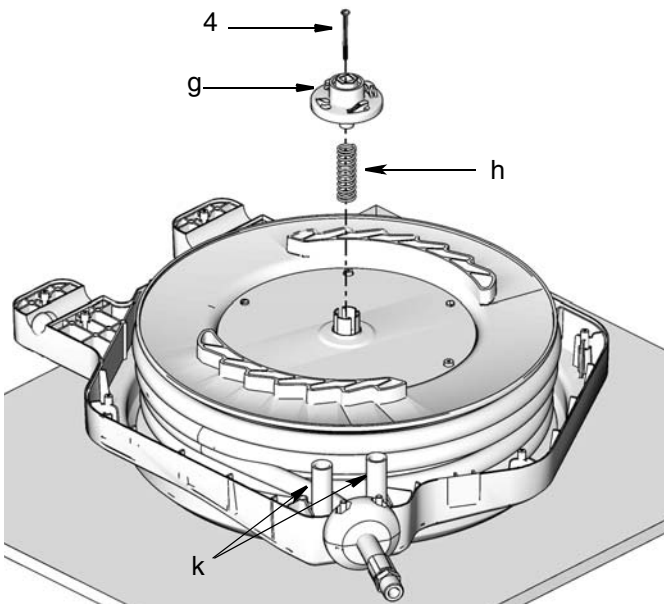


FIG. 11

9. Remove hose guide roller (k) from enclosure (j).
10. Holding spool and enclosure (j) together, turn over hose reel assembly.
11. Unscrew 2 screws (1) (FIG. 12) and remove enclosure (j). (New screws (1) are included in the swivel kit.)

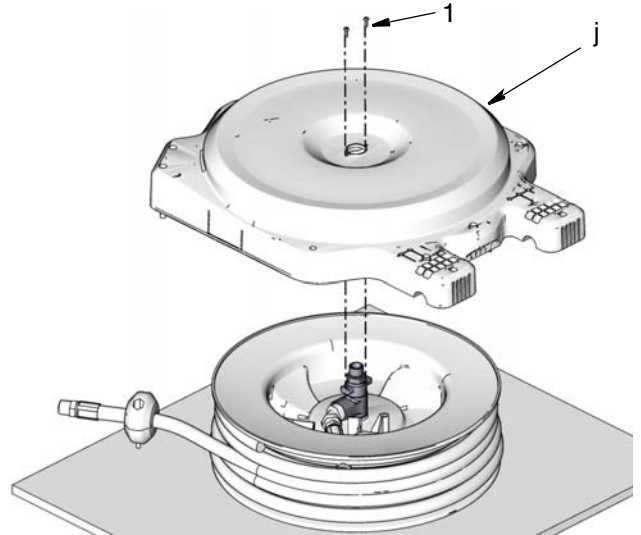


FIG. 12

12. Loosen hose fitting (m) and disconnect hose from swivel assembly (FIG. 13).

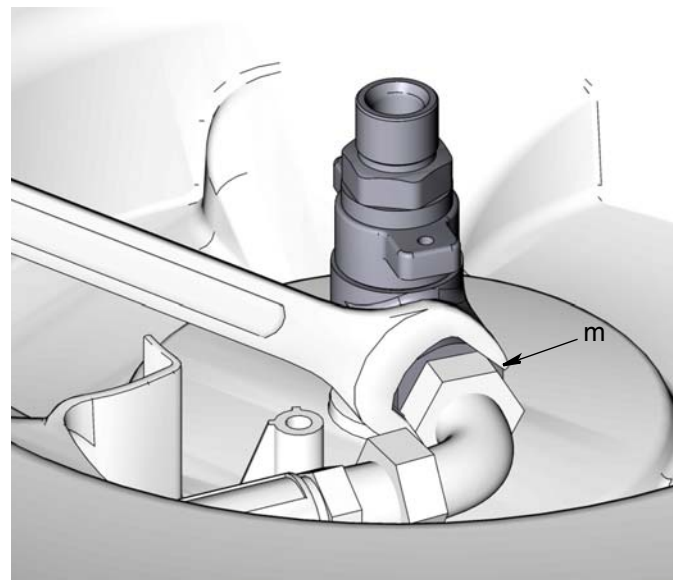


FIG. 13

NOTE: If you are replacing the swivel assembly, continue with Step 13, (below). **If you are just replacing the hose, skip Step 13** and go to the Hose Replacement Disassembly instructions.

Swivel Replacement Disassembly

13. Turn spool over again and loosen cap (2) to remove swivel assembly from spool (FIG. 14).

NOTE: A new cap (2) is included in the swivel kit but you do not have to remove it entirely to remove the swivel.

If cap (2) is removed entirely and replaced with the new one included in the kit, use a few drops of Loctite® thread sealant to hold it securely in the hose reel enclosure.

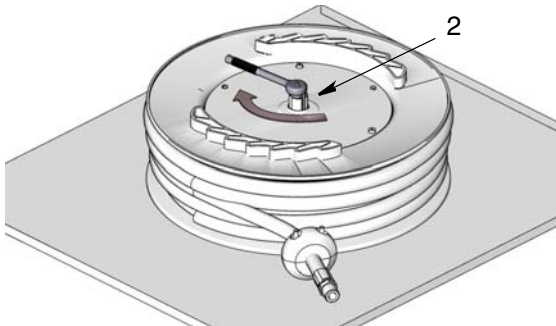


FIG. 14

14. Turn spool over. Make sure shaft is still seated in center of spool.
15. Install the new swivel assembly in the spool (FIG. 15). Turn spool over to access cap (2). Hand tighten cap to hold swivel assembly in place.

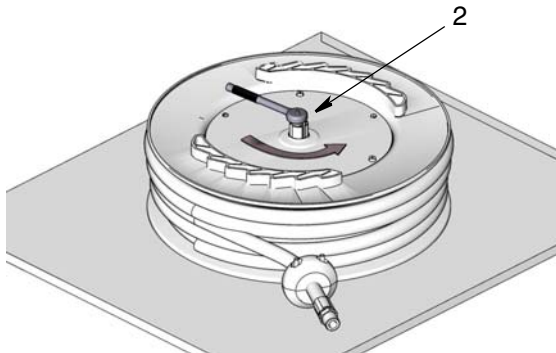


FIG. 15

16. Go to **Swivel Replacement Reassembly** instructions beginning on page 9.

Hose Replacement Disassembly

1. Perform Steps 1 - 12 (page 4 - 7).
2. Unwind and remove hose from spool.
3. Remove screws (n) and nuts (p) from ball stop (r) and remove ball stop from hose end. Keep all ball stop parts for reassembly.

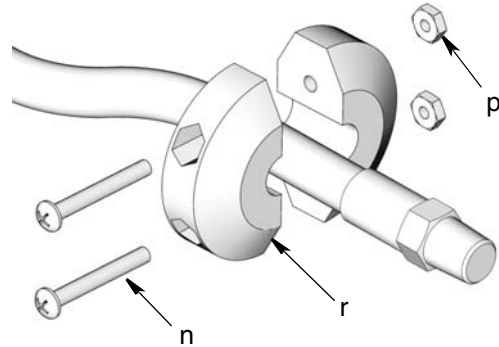


FIG. 16

Hose Replacement Reassembly

1. Insert elbow fitting (m) end of hose through opening in spool (FIG. 17).

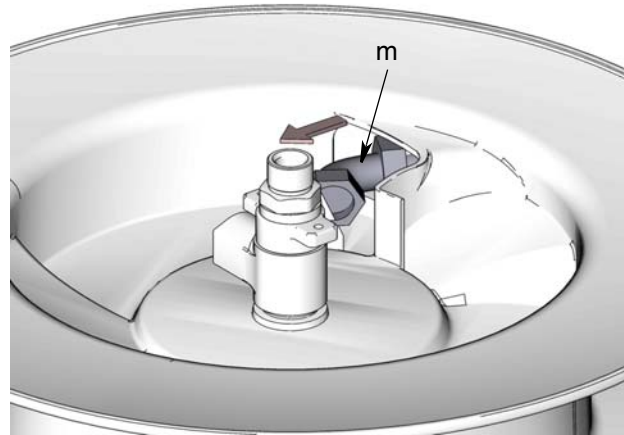


FIG. 17

2. Connect hose fitting (m) to swivel assembly. (FIG. 18).

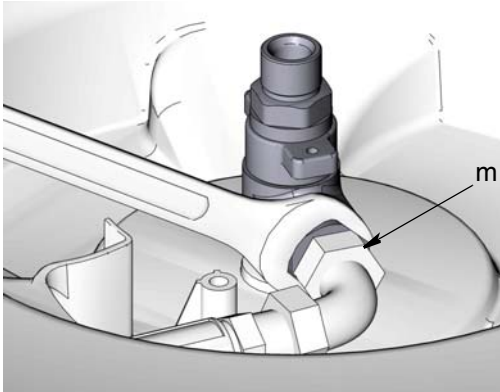


FIG. 18

3. Rewind hose back onto spool.
4. Reinstall ball stop (r) on hose and hand tighten screws (n) and nuts (p) to hold ball stop securely in place (FIG. 16).

NOTE: It may be necessary to reposition ball stop after hose reel is installed and back in service.

5. Continue reassembly instructions following Swivel Replacement Instructions, Step 2, page 9.

Swivel Replacement Reassembly

1. Turn hose reel assembly over. Connect hose fitting (m) to swivel assembly. (FIG. 19).

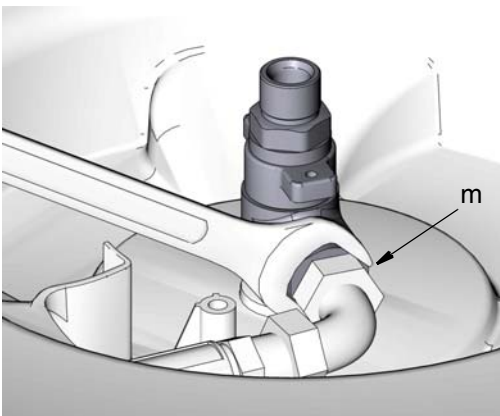


FIG. 19

Continue Hose Replacement Installation Instructions Here

2. Replace side enclosure (j) over spool using new screws (1) (FIG. 20). Torque to 0.07 - 0.1 N.m (10 - 15 in. pounds).

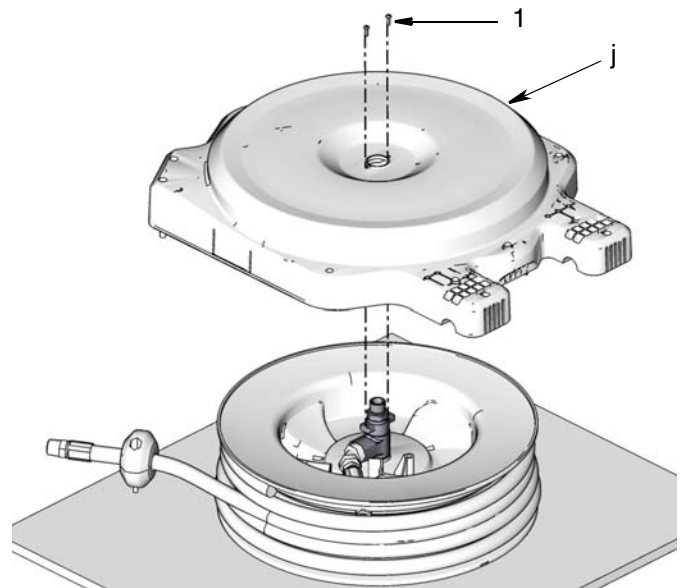


FIG. 20

3. Hold spool and cover (j) together and turn the hose reel assembly over. Insert a torque wrench over cap (2) and Torque to 0.28 - 0.35 N.m (40 - 50 in. lbs).

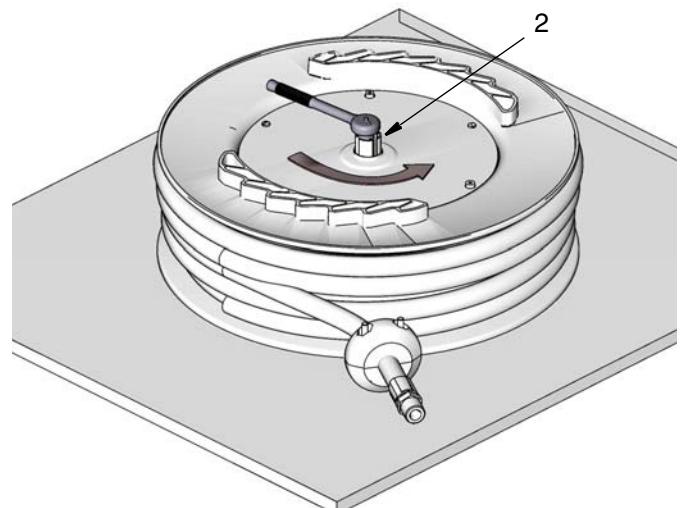


FIG. 21

4. Feed end of hose through hose guide in enclosure and install hose guide rollers (k) in enclosure (j) on

either side of hose (FIG. 22).

5. Install spring (h), spring adjuster (g) and bolt (4) (FIG. 22). Hand tighten.

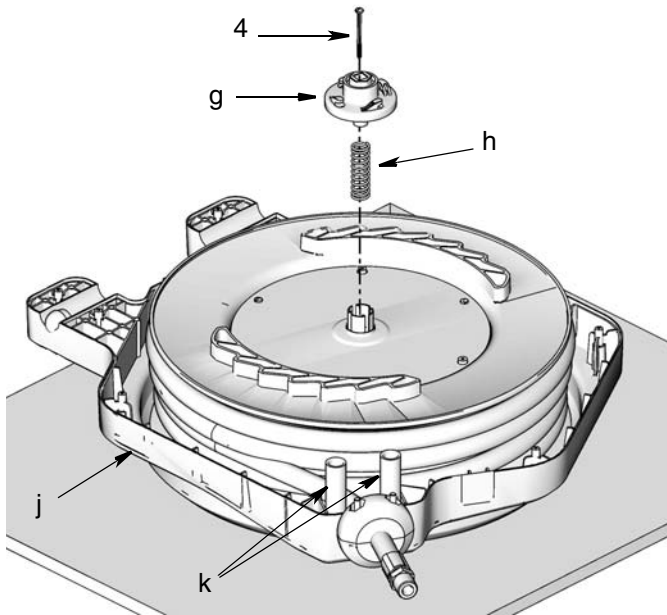


FIG. 22

6. Install enclosure (f) and all screws (e). Tighten screws securely (FIG. 23).

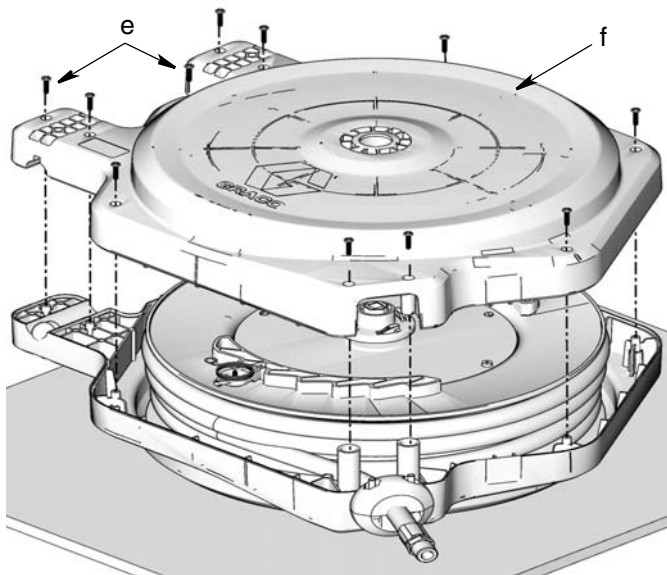


FIG. 23

7. Align hose reel with mounting bracket (d). Slide mounting tube (c) through hose reel enclosure and

mounting bracket. (FIG. 24).

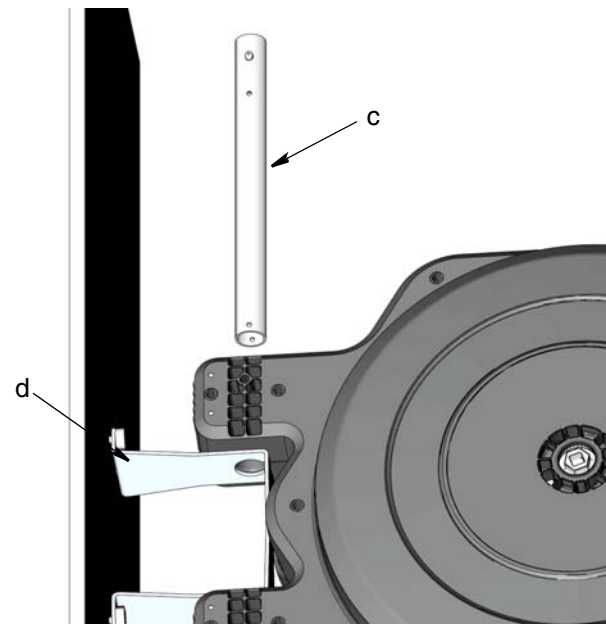


FIG. 24

8. Align spring pin in mounting tube with notch in the hose reel enclosure and slide mounting tube the rest of the way into the hose reel enclosure. Listen for an obvious, audible click, signaling the spring pin is locked in place (FIG. 25).

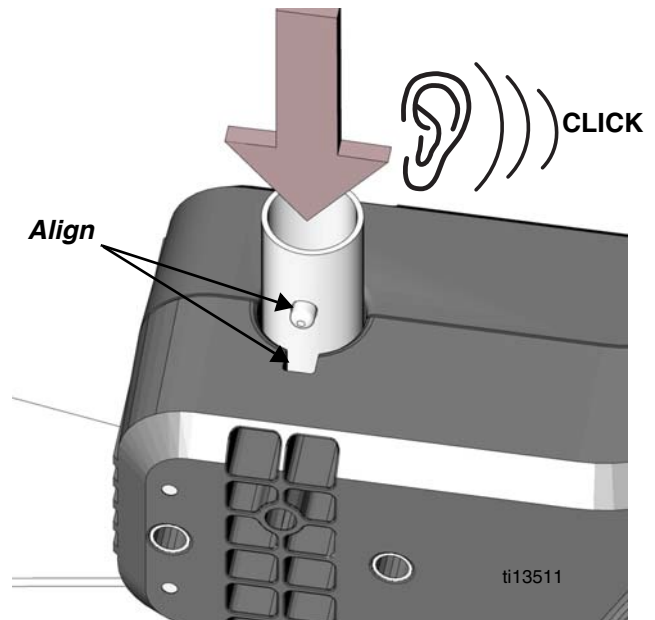


FIG. 25

9. Connect supply hose (a) to swivel (FIG. 26).

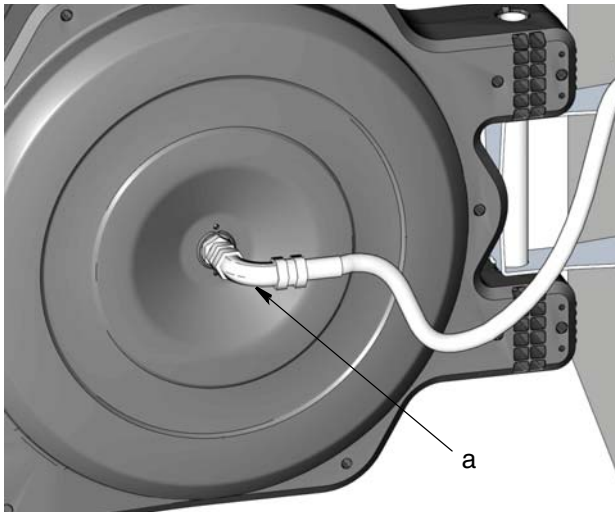


FIG. 26

10. Adjust spring tension:
 - a. Insert socket over spring adjuster. Turn adjuster 1/4 turn clockwise (FIG. 27).

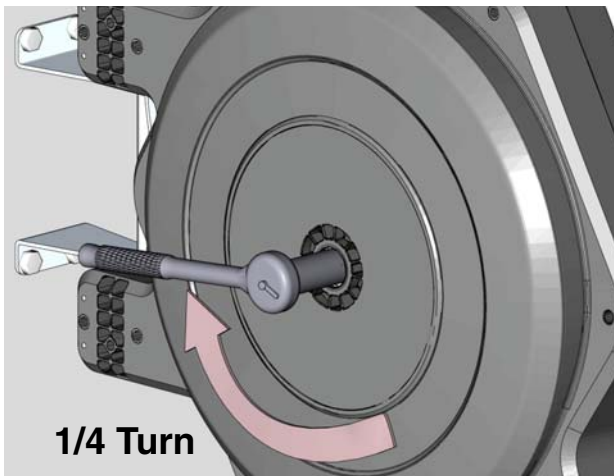


FIG. 27

- b. Refer to Table 1, page 5 to determine the number of full, clockwise turns required to correctly set the spring tension for your hose reel model.
11. Pull on hose to test tension. If necessary, insert socket over spring adjuster again and increase or decrease tension by 1/4 turns until the hose retracts and winds correctly.
12. The hose reel is now ready to be returned to service.

NOTE: After hose reel is installed and returned to service, it may be necessary to reposition the ball stop. To reposition ball stop (FIG. 28):

- a. Loosen screws (n) and nuts (p).
- b. Slide ball stop (r) up or down the hose to new position.
- c. Tighten screws (n) and nuts (p) to hold stop (r) securely in place.

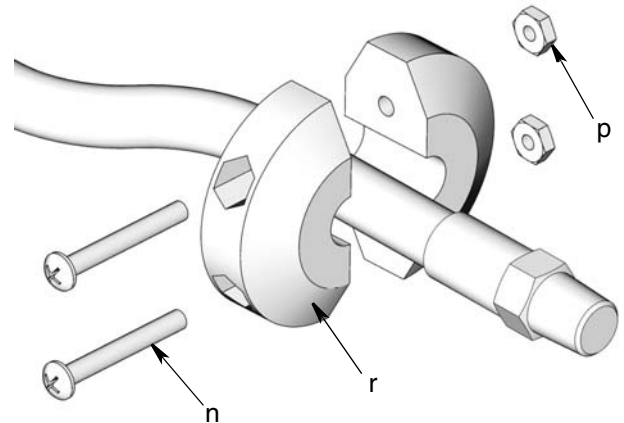


FIG. 28

*All written and visual data contained in this document reflects the latest product information available at the time of publication.
Graco reserves the right to make changes at any time without notice.*

For patent information, see www.graco.com/patents.

Original instructions. This manual contains English. MM 313939

Graco Headquarters: Minneapolis

International Offices: Belgium, China, Japan, Korea

GRACO INC. AND SUBSIDIARIES • P.O. BOX 1441 • MINNEAPOLIS MN 55440-1441 • USA

Copyright 2009, Graco Inc. All Graco manufacturing locations are registered to ISO 9001.

www.graco.com
Revised July 2015