

Manzel[®] MB Specialty Box Lubricators



60:1 and 118:1 reduction box lubricators for rugged, hazardous locations

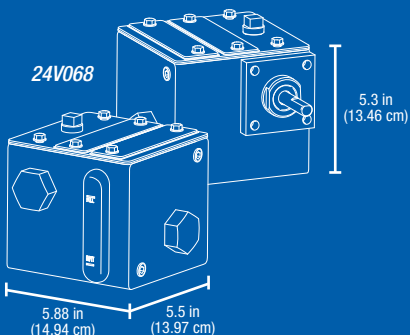


Graco Manzel box lubricators – when quality and delivery matter!

- Made with Graco quality for long life and durability
- Manzel MB60 is perfect for bolt-on gas compressor box lubrication solutions
- Manzel MB118 is the right size and durable for triplex and quintuplex mud pump applications

PROVEN QUALITY. LEADING TECHNOLOGY.

Box Specifications



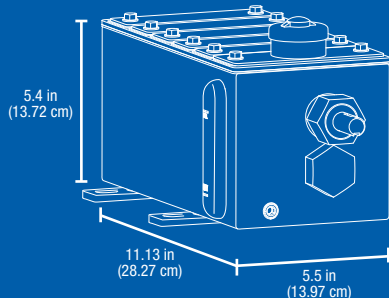
24V068

5.3 in
(13.46 cm)

5.88 in
(14.94 cm)

5.5 in
(13.97 cm)

24W633

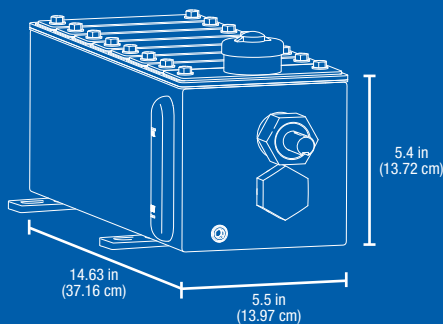


5.4 in
(13.72 cm)

11.13 in
(28.27 cm)

5.5 in
(13.97 cm)

24W634



5.4 in
(13.72 cm)

14.63 in
(37.16 cm)

5.5 in
(13.97 cm)



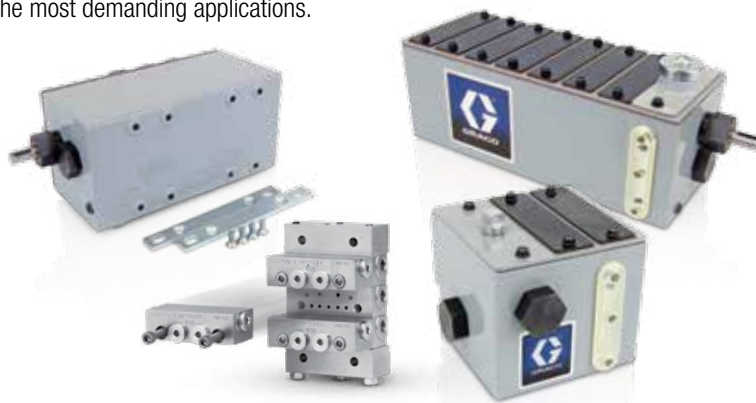
GBL 7500 Pumps

Graco offers three vigorously tested models engineered for long life and reliability. Each model has patent-pending, innovative designs to perform in best-practice applications for a durable solution that is hard to beat.

©2015 Graco Inc. 352389 Rev. B 12/15 All other brand names or marks are used for identification purposes and are trademarks of their respective owners. All written and visual data contained in this document are based on the latest product information available at the time of publication. Graco reserves the right to make changes at any time without notice.

Manzel® MB Specialty Box Lubricators

Combine with GBL7500 pumps and MHH divider valves for a quality lubrication solution you can feel in your hands and trust to work in the most demanding applications.



Choose from 60:1 or 118:1 gear reduction

- 60:1 – 2 or 4 pump stations max, use with GBL7500 Gravity-Fed or Pressure-Fed Box Lubricator
- 118:1 – 4 or 6 pump stations max, use with any GBL7500 pump

Long life and durability

- Leak-proof welded steel reservoir and solid steel, hardened cams
- Double-supported cam shafts and gear drives to eliminate cantilevered assemblies
- High load capacity needle bearings and ball bearings

Ordering Information

Series Number	Part Number	Gear Reduction	Reservoirs	Pump Size	Pump Quantity
MB60	24V068	60:1	2 pints, 2 pump stations max	No pump	N/A
	24U750	60:1	6 pints, 4 pump stations max	No pump	N/A
MB118	24W633	118:1	4 pints, 4 pump stations max	No pump	N/A
	24W634	118:1	8 pints, 6 pump stations max	No pump	N/A
	24W636 for triplex mud pumps	118:1	4 pints, 4 pump stations max	¼" GBL 7500 Suction Pump (24J392)	3
	24W635 for quintuplex mud pumps	118:1	8 pints, 6 pump stations max	¼" GBL 7500 Suction Pump (24J392)	5

Additional OEM configurations available.

Contact us today!

Call 800-533-9655 to speak with a Graco representative or visit www.graco.com for more information.

