

SD Series™ Cord and Light Reels

Engineered Solutions to Help you Work Smarter and Faster



PROVEN QUALITY. LEADING TECHNOLOGY.

A perfect complement to Graco's line Hose Reels



Graco fits your business

- Built for long lasting performance
- Simple and trouble free Solution
- Variety of configuration

Compact Design

- Narrow foot print
- Extended Service Life
- Exclusive Slip
- Exclusive Slip Ring Design

Technical Specifications

Dimensions

SD SERIES SIZE 5	
A	89 mm (3.5 in)
B	162 mm (6.38 in)
C	120 mm (4.7 in)
D	190 mm (7.48 in)
E†	376 mm (14.8 in)
F*	168 mm (6.6 in)
G**	352 mm (13.84 in)

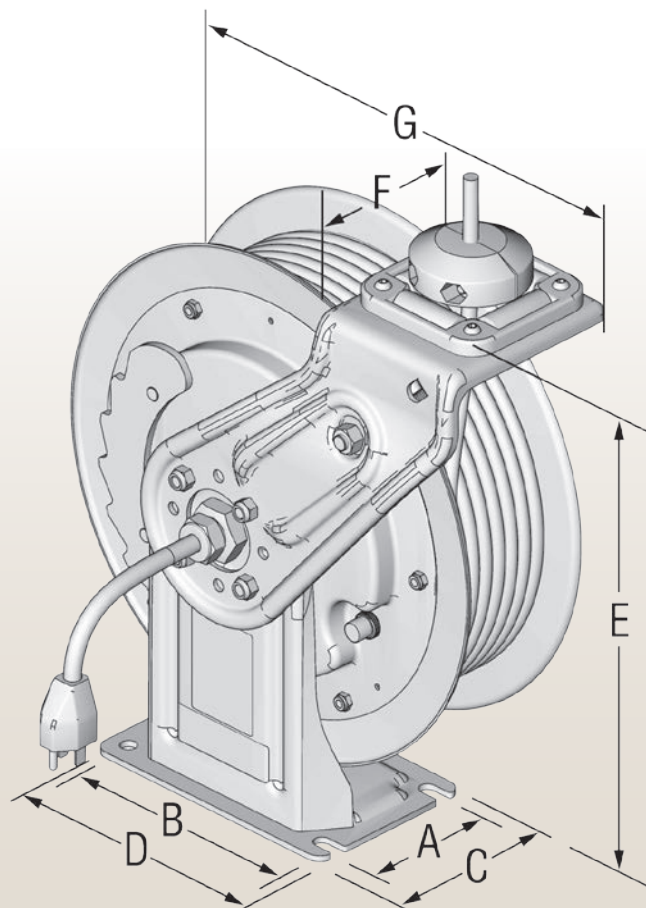
SD SERIES SIZE 10	
A	89 mm (3.5 in)
B	191 mm (7.5 in)
C	120 mm (4.7 in)
D	229 mm (9 in)
E†	498 mm (19.5 in)
F*	177 mm (7 in)
G**	445 mm (17.5 in)

† Measurement taken from base to top of bolts.

* Measurement taken from edge of spool to front of arm.

** Measurement taken from end of wire-nut to top surface of cover.

PART NUMBER	SIZE	ACCESSORY	WIRE GAUGE	AMP	CORD LENGTH	WEIGHT	VOLTAGE
24M514	SD 5	No accessory, Cord Only	1,5 mm ²	10	10 m	11.6 kg (25.6 lbs)	230V
24M515	SD 5		1,5 mm ²	10	15 m	13.9 kg (30.6 lbs)	230V
24M516	SD 10		2,5 mm ²	16	25 m	24.5 kg (54.1 lbs)	230V
24M539	SD 5	LED Light	1,5 mm ²	0,05	10 m	11.6 kg (25.6 lbs)	230V
24M540	SD 5		1,5 mm ²	0,05	15 m	13.9 kg (30.6 lbs)	230V
24M541	SD 10		1,5 mm ²	0,05	25 m	22.4 kg (49.4 lbs)	230V
24M542	SD 5	Single Industrial Receptacle	1,5 mm ²	10	10 m	11.6 kg (25.6 lbs)	230V
24M543	SD 5		1,5 mm ²	10	15 m	13.9 kg (30.6 lbs)	230V
24M544	SD 10		2,5 mm ²	16	25 m	24.5 kg (54.1 lbs)	230V



Exclusive Features for Better Performance



Multiple Cord Lengths

Meets high Graco quality standards to secure durability. Choose from 10, 15 and 25 m options.

Durable Frame in Two Sizes

SD5 for 10 m and 15 m.
SD10 for 25 m.
Both have a durable finish to protect reels from corrosion for longer life.

Adjustable Arm

Easily change the arm position to fit more applications. Fits on walls, ceilings or bench mounts.

Heavy-Duty Pedestal

High-strength steel construction with rolled edges and ribbed stress-points that won't flex or twist.

Strong, Durable Spring

Completely enclosed for longer life. Easy to access on open side of the reel for quick service.



You can configure it for your specific needs!

Multiple configurations available:

- with or without receptacles
- with or without LED light



SD Series™ Cord and Light Reels



LED Light

Durable, energy efficient LED's provide superior lighting. Polycarbonate outer tube is scratch resistant to handle a rough environment.



Single Industrial Receptacle

Plug provides reliable performance in tough environments where accessories are continuously changed. The 10 and 16 amp design features an over molded plug for increased durability.



Ordering Information

Cord and Light Reel

PART NUMBER	SIZE	ACCESSORY	WIRE GAUGE	CORD LENGTH
24M514	SD 5	No accessory, Cord Only	1.5 mm ²	10 m
24M515	SD 5		1.5 mm ²	15 m
24M516	SD 10		2.5 mm ²	25 m
24M539	SD 5	LED Light	1.5 mm ²	10 m
24M540	SD 5		1.5 mm ²	15 m
24M541	SD 10		1.5 mm ²	25 m
24M542	SD 5	Single Industrial receptacle	1.5 mm ²	10 m
24M543	SD 5		1.5 mm ²	15 m
24M544	SD 10		2.5 mm ²	25 m

Cord and Light Reel - Accessories

MOUNTING CHANNEL FOR CEILING*	For use when mounting reels without an enclosure.	
	1 Reel	2 Reels
SD 5	24N674	24N675
SD 10**	24A934	24A935

*Please refer to the manual for larger channels. **Design is the same as SD 10 hose reels.

ENCLOSED REEL MOUNTING CHANNEL FOR CEILING OR WALL*	For use with enclosure kits only. Channels available to accommodate one to six reels.	
	1 Reel	2 Reels
SD 5 and 10	203521	203522

*Please refer to the manual for larger channels.

CORD REEL ENCLOSURE KITS	Enclosure kit for one reel provides protection to extend the life of reel, while giving your shop a professional look.					
	White	Metallic Blue	Red	Black	Dark Blue	Yellow
SD 5 Enclosure and spacer bracket	24N690	24N682	24N683	24N684	24N691	24N685
SD 10* Enclosure kit for one reel	24A217	24A940	24A941	24A942	24A943	24A944
End Panel Kits†	—	—	—	24A950	—	—

*Same kit as SD 10 hose reels. †One panel kit needed per bank of reels.

RETROFIT MOUNTING BRACKETS	
24P164	SD 5 spacer bracket only, for mounting in existing Graco SD enclosure.
16N833	Clamping plate to mount SD 5 reel to existing SD Series open channel.

SWIVEL MOUNT BRACKET FOR WALL	
Allows reel to swivel 120° with two lockable positions	
24N814	For SD 5 frame
24N444	For SD 10 frame



Cord and Light Reel - Accessories

I-BEAM MOUNTING KIT FOR CEILING

Secures mounting channel to I-beam without drilling

204741	Fits SD 5 and 10 reels. Two brackets are required for one to three reels.
--------	---------------------------------------------------------------------------

EASY SLIDE-IN MOUNT FOR CEILING OR WALL

Allows you to slide the reel in and out for easy installation

24N686	For SD 5 frame
--------	----------------

24H193	For SD 10 frame
--------	-----------------

HANDS-FREE MAGNETIC CLIP

16P999	Magnetic clip with non-marring cover won't scratch vehicle finish. Snap onto light tube for hands-free operation. Spin the fixture to direct light where you need it.
--------	-----------------------------------------------------------------------------------------------------------------------------------------------------------------------

ACCESSORY CORD KITS FOR USE WITH LIGHT AND FLYING LEAD MODELS

24N889	SD5	10 m, 1.5 mm ² 3 conductor, H05RR-F accessory cord replacement kit
--------	-----	-------------------------------------------------------------------------------

24N890	SD5	15 m, 1.5 mm ² 3 conductor, H05RR-F accessory cord replacement kit
--------	-----	-------------------------------------------------------------------------------

24N882	SD10	25 m, 1.5 mm ² 3 conductor, H05RR-F accessory cord replacement kit
--------	------	-------------------------------------------------------------------------------

24N891	SD10	25 m, 2.5 mm ² 3 conductor, H07RN-F accessory cord replacement kit
--------	------	-------------------------------------------------------------------------------

POWER CORD KIT

24N867	SD5	CEE 7/7, 1.5 mm ² H05RR-F power cord replacement kit
--------	-----	-----------------------------------------------------------------

24N870	SD5	Flying Lead, 1.5 mm ² H05RR-F power cord replacement kit
--------	-----	---------------------------------------------------------------------

24N869	SD10	CEE 7/7, 2.5 mm ² H07RN-F power cord replacement kit
--------	------	-----------------------------------------------------------------

SINGLE INDUSTRIAL RECEPTABLE KIT

24N872	SD10	16A CEE 7/7 Single Industrial Receptacle Kit
--------	------	----------------------------------------------

BALL STOP KIT

24N539	SD5	Ball Stop 1.5 mm ²
--------	-----	-------------------------------

222225	SD10	Ball Stop 2.5 mm ²
--------	------	-------------------------------

SPRING CASSETTE KITS

24M453	SD5	10 m, 1.5 mm ²
--------	-----	---------------------------

24M455	SD5	15 m, 1.5 mm ²
--------	-----	---------------------------

24M463	SD10	25 m, 1.5 mm ²
--------	------	---------------------------

24M462	SD10	25 m, 2.5 mm ²
--------	------	---------------------------

LED LIGHTS

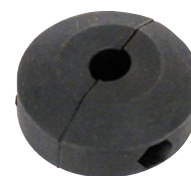
16N225	SD 5 / SD 10	LED Light replacement kit
--------	--------------	---------------------------



24N686



16P999



222225



16N225



ABOUT GRACO

Founded in 1926, Graco is a world leader in fluid handling systems and components. Graco products move, measure, control, dispense and apply a wide range of fluids and viscous materials used in vehicle lubrication, commercial and industrial settings.

The company's success is based on its unwavering commitment to technical excellence, world-class manufacturing and unparalleled customer service. Working closely with qualified distributors, Graco offers systems, products and technology that set the quality standard in a wide range of fluid handling solutions. Graco provides equipment for spray finishing, protective coating, paint circulation, lubrication, and dispensing sealants and adhesives, along with power application equipment for the contractor industry. Graco's ongoing investment in fluid management and control will continue to provide innovative solutions to a diverse global market.

GRACO LOCATIONS

MAILING ADDRESS

P.O. Box 1441
Minneapolis, MN 55440-1441
Tel: 612-623-6000
Fax: 612-623-6777

AMERICAS

MINNESOTA

Worldwide Headquarters
Graco Inc.
88-11th Avenue N.E.
Minneapolis, MN 55413

EUROPE

BELGIUM

European Headquarters
Graco BVBA
Industrieterrein-Oude Bunders
Slakweidestraat 31
3630 Maasmechelen,
Belgium
Tel: 32 89 770 700
Fax: 32 89 770 777

ASIA PACIFIC

AUSTRALIA

Graco Australia Pty Ltd.
Suite 17, 2 Enterprise Drive
Bundoora, Victoria 3083
Australia
Tel: 61 3 9468 8500
Fax: 61 3 9468 8599

CHINA

Graco Hong Kong Ltd.
Shanghai Representative Office
Building 7
1029 Zhongshan Road South
Huangpu District
Shanghai 200011
The People's Republic of China
Tel: 86 21 649 50088
Fax: 86 21 649 50077

INDIA

Graco Hong Kong Ltd.
India Liaison Office
Room 432, Augusta Point
Regus Business Centre 53
Golf Course Road
Gurgaon, Haryana
India 122001
Tel: 91 124 435 4208
Fax: 91 124 435 4001

JAPAN

Graco K.K.
1-27-12 Hayabuchi
Tsuzuki-ku
Yokohama City, Japan 2240025
Tel: 81 45 593 7300
Fax: 81 45 593 7301

KOREA

Graco Korea Inc.
Shinhan Bank Building
4th Floor #1599
Gwanyang-Dong, Dongan-Ku,
Anyang-si, Korea 431-060
Tel: 82 31 476 9400
Fax: 82 31 476 9801

All written and visual data contained in this document are based on the latest product information available at the time of publication. Graco reserves the right to make changes at any time without notice.

Graco is certified ISO 9001.



Europe
+32 89 770 700
FAX +32 89 770 777
WWW.GRACO.COM

©2013 Graco BVBA 340901ENEU Rev.A 02/13 Printed in Europe.
All other brand names or marks are used for identification purposes and are trademarks of their respective owners.