

XD 60™, XD 70™ and XD 80™

Motor Rewind Hose Reels

No Chains,
Safer for
Operators!



XD 70 >

XD 60 >



XD 80 >

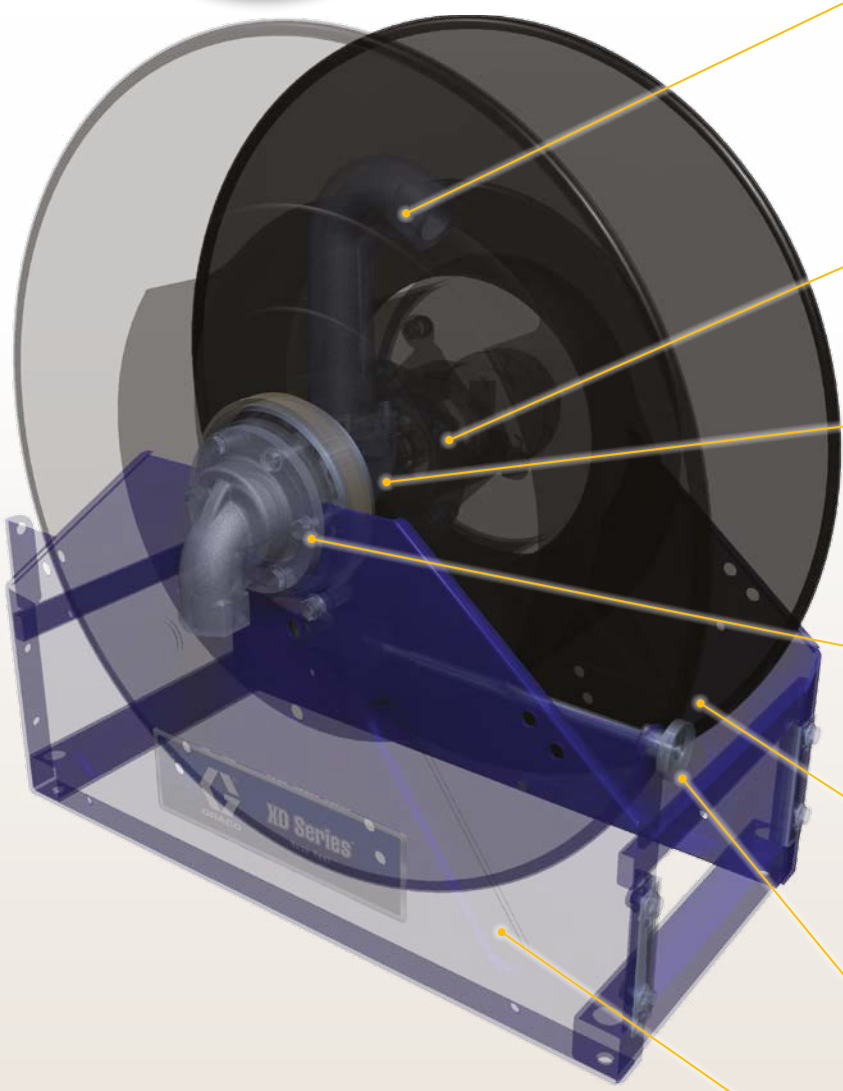
Designed with Safety in Mind

Drive motors have no chains, no maintenance.
No worries.

Safe, Versatile and Super Powered

Industry leading
7 YEAR WARRANTY
1 Year on wear components

We like to think of the XD Motor Rewind Reels as Super-Powered. The innovative design is packed with features to help you work safer, smarter and faster. We demand extensive product testing, often exceeding industry standards to ensure you get the best product on the market. Plus, it's all backed with an industry leading warranty and support after your purchase.



Easy Hose Installation

The outlet can be removed easily for hassle-free hose installation. Designed to minimize hose kinking for a more even and smoother wrap. Nickel plated fluid section to prevent corrosion for longer life.

Safe, Reliable Direct Drive and Gear Motors

Drive unit is clean and lubricated for life. No maintenance.

More Flow—Less Pressure Drop

A Graco exclusive—breakthrough swivel design (patent-pending) allows better flow to get work done faster. Materials are corrosion resistant and strong for long lasting performance.

Easy System Integration

Easily change the inlet and motor direction to give you the option of a right or left hand flow orientation.

Heavy-duty Welded Spool

Built to handle the weight of heavy hoses. Designed to surround and protect the drive unit from the elements to promote longer lasting, safer operation.

Easy Access Brake

Band clamp brake used to slow and stop hose retraction is adjustable for your application.

Rugged and Durable Body

Heavy-duty one piece welded frame is engineered to flex under extreme operating conditions and is stronger than bolted frames that can loosen with use. Individually painted and powder coated components have superior corrosion resistance over assembled and painted products.

XD Series Motorized Hose Reels

Power for Larger Diameter and Longer Hose Lengths

- Direct drive motor options include hydraulic, pneumatic and electric 12, 24, 115, and 230 volt
- Available in 41 bar low pressure and 207 bar medium pressure models
- Operating temperature range of -40 to 82° C*
- Adjustable band clamp brake used to slow and stop reel
- For Air, Water, Oil, Grease, Fuel Dispense, and Waste Oil Evacuation
- Optional roller guides and arms available as accessories
- Optional BSPP and BSPT conversion kits

*Not all options available in every configuration. Please see ordering guide for available sizes.
* Grease reels are rated for -18 to 82° C*



Frame Colour Options

Choose from white, yellow or metallic blue for a professional look.

XD 60 >



Hose Capacity	Up to ½ in x 30m, ¾ in x 30m, 1 in x 15m
Swivel Size	1 inch npt inlet and outlet

XD 70 >



Hose Capacity	Up to 1 in x 30m, 1.5 in x 20m, 2 in x 10m
Swivel Size	1, 1.5 or 2 inch npt inlet and outlet

XD 80 >



Hose Capacity	Up to 1 in x 46m, 1.5 in x 30m, 2 in x 15m
Swivel Size	1, 1.5 or 2 inch npt inlet and outlet

XD™ Series Reels

Spend Less Time and Money on Service

Tested tough to perform when you need it. Constructed with quality materials for long lasting performance to help reduce downtime. Changing motors is easy so you get up and running fast.



Top Quality Solutions for:

- Mining Operations
- Oil and Gas
- Heavy-duty Construction
- Agriculture
- Sewer and Waste Water
- Transportation

Engineered for Safety

Safe and Reliable Direct Drive Motor Design

XD Power Rewind motors are built to fit into the spool, protecting components from the elements and protecting users from pinch points that could cause injury. No chain to rust or break—nothing to lubricate, no maintenance.

Incomparable Versatility with Modular Design

Choose from multiple frame and motor combinations—mix and match to make quick work of configuring the reel for your application. Reels can easily be configured for left or right hand connections by switching the outlet and motor rotation to suit your needs. Order reels assembled, or choose frames and motor modules to maximize uptime for on-site installations.



Robust Electric and Pneumatic Motors

- Gear drive is enclosed and tucked into the spool to promote long life
- Nothing to lubricate for more efficient performance
- No exposed chains that can cause injury to the operator
- Easy change-out for less downtime in the field
- Pneumatic motor

Compact Hydraulic Motor

- Significantly narrower footprint fits in tighter spaces
- True 1-to-1 ratio direct drive provides more efficient operation
- Motor is protected by the spool for longer life
- No chain to lubricate

The Graco Advantage

XD Series Motorized Reels

- More uptime due to less maintenance
- Eliminates the chains which are dangerous to the operator
- No need to purchase additional chain guards
- Lubed for life, no need to lubricate drive
- Cleaner installations
- Hydraulic 1:1 ratio motor is more efficient and provides easier retraction over chain drive designs
- Easily stock components for faster, in the field service
- Simple to configure for right or left hand inlet
- Outlet minimizes hose kinking for an even, smooth wrap

Ordering Information

Hose Reel Ordering Information

Technical Specifications

Applications	Model numbers by color			Description	Kg	Pressure bar	Recommended Hose Capacity Hose Diameter x Length m			Inlet/Outlet Size npt (f)	
	Blue	Yellow	White								
Air/Water	XD 60	24R419	24R420	24R421	XD 6010, Pneumatic Motor	56	41	1/2"x30	3/4"x30	1'x15	1 in/1 in
		24R414	24R415	24R416	XD 6010, Hydraulic Motor	45	41	1/2"x30	3/4"x30	1'x15	
		24R404	24R405	24R406	XD 6010, 12 VDC Elec. Motor, 1/2 HP	60	41	1/2"x30	3/4"x30	1'x15	
		24R407	24R408	24R409	XD 6010, 24 VDC Elec. Motor, 1/2 HP	60	41	1/2"x30	3/4"x30	1'x15	
		24R410	24R412	24R413	XD 6010, 115 VAC Elec. Motor	60	41	1/2"x30	3/4"x30	1'x15	
	XD 70	24R449	24R450	24R451	XD7010 Pneumatic Motor	55	41	1"x23	1"x30		1 in/1 in
		24R446	24R447	24R448	XD7010 Hydraulic Motor	45	41	1"x23	1"x30		
		24R437	24R438	24R439	XD7010 12 VDC Elec. Motor, 1/2 HP	60	41	1"x23	1"x30		
		24R440	24R441	24R442	XD7010 24 VDC Elec. Motor, 1/2 HP	60	41	1"x23	1"x30		
		24R443	24R444	24R445	XD7010 115 VAC Elec. Motor	60	41	1"x23	1"x50		
	XD 80	24R531	24R532	24R533	XD8010 Pneumatic Motor	74	41	1"x46			1 in/1 in
		24R528	24R529	24R530	XD8010 Hydraulic Motor	64	41	1"x46			
		24R519	24R520	24R521	XD8010 12 VDC Elec. Motor, 1/2 HP	78	41	1"x46			
		24R522	24R523	24R524	XD8010 24 VDC Elec Motor, 1/2 HP	78	41	1"x46			
		24R525	24R526	24R527	XD8010 115 VAC Electric Motor	78	41	1"x46			

Operating temperature for grease reels is -18° to 82° C, all others are -40° to 82° C

Ordering Information

Hose Reel Ordering Information				Technical Specifications							
Applications	Model numbers by color			Description	Kg	Pressure bar	Recommended Hose Capacity			Inlet/Outlet Size npt (f)	
	Blue	Yellow	White				Hose Diameter	x Length	m		
Oil	XD 60	24R434	24R435	24R436	XD6010, Pneumatic Motor	56	207	1/2"x30	3/4"x30	1'x15	1 in/1 in
		24R431	24R432	24R433	XD6010 ,Hydraulic Motor	47	207	1/2"x30	3/4"x30	1'x15	
		24R422	24R423	24R424	XD6010, 12 VDC Elec. Motor, 1/2 HP	61	207	1/2"x30	3/4"x30	1'x15	
		24R425	24R426	24R427	XD6010 24 VDC Elec. Motor, 1/2 HP	61	207	1/2"x30	3/4"x30	1'x15	
		24R428	24R429	24R430	XD6010 115 VAC Electric Motor	61	207	1/2"x30	3/4"x30	1'x15	
	XD 70	24R464	24R465	24R466	XD7010 Pneumatic Motor	56	207	1"x23	1"x30		
		24R461	24R462	24R463	XD7010 Hydraulic Motor	46	207	1"x23	1"x30		
		24R452	24R453	24R454	XD7010 12 VDC Elec. Motor, 1/2 HP	60	207	1"x23	1"x30		
		24R455	24R456	24R457	XD7010 24 VDC Elec. Motor, 1/2 HP	60	207	1"x23	1"x30		
		24R458	24R459	24R460	XD7010 115 VAC Electric Motor	60	207	1"x23	1"x30		
	XD 80	24R546	24R547	24R548	XD8010 Pneumatic Motor	75	207	1"x46			
		24R543	24R544	24R545	XD8010 Hydraulic Motor	65	207	1"x46			
		24R534	24R535	24R536	XD8010 12 VDC Elec. Motor, 1/2 HP	79	207	1"x46			1 in/1 in
		24R537	24R538	24R539	XD8010 24 VDC Elec Motor, 1/2 HP	79	207	1"x46			
		24R540	24R541	24R542	XD8010 115 VAC Electric Motor	79	207	1"x46			
Waste Oil Evac.	XD 60	24R419	24R420	24R421	XD6010 Pneumatic Motor	56	41	1'x15			1 in/1 in
		24R414	24R415	24R416	XD6010 Hydraulic Motor	45	41	1'x15			
		24R404	24R405	24R406	XD6010 12 VDC Elec. Motor, 1/2 HP	60	41	1'x15			
		24R407	24R408	24R409	XD6010 24 VDC Elec Motor, 1/2 HP	60	41	1'x15			
		24R410	24R412	24R413	XD6010 115 VAC Electric Motor	60	41	1'x15			
	XD 70	24R516	24R517	24R518	XD7015, Pneumatic Motor	56	41	1.25"x10,5	1.25"x15	1.5"x15	1.5 in/1.5 in
		24R512	24R513	24R515	XD7015 Hydraulic Motor	46	41	1.25"x10,5	1.25"x15	1.5"x15	
		24R503	24R504	24R505	XD7015 12 VDC Elec. Motor, 1/2 HP	60	41	1.25"x10,5	1.25"x15	1.5"x15	
		24R506	24R507	24R508	XD7015 24 VDC Elec. Motor, 1/2 HP	60	41	1.25"x10,5	1.25"x15	1.5"x15	
		24R509	24R510	24R511	XD7015 115 VAC Electric Motor	60	41	1.25"x10,5	1.25"x15	1.5"x15	

Operating temperature for grease reels is -18° to 82° C, all others are -40° to 82° C

Ordering Information

Hose Reel Ordering Information

Technical Specifications

Applications	Model numbers by color			Description	Kg	Pressure bar	Recommended Hose Capacity			Inlet/Outlet Size npt (f)	
	Blue	Yellow	White				Hose Diameter x Length m				
Fuel	XD 60	24R419	24R420	24R421	XD6010 Pneumatic Motor	56	41	1/2"x30	3/4"x30	1'x15	1 in/1 in
		24R414	24R415	24R416	XD6010 Hydraulic Motor	45	41	1/2"x30	3/4"x30	1'x15	
		24R404	24R405	24R406	XD6010 12 VDC Electric Motor, 1/2 HP	60	41	1/2"x30	3/4"x30	1'x15	
		24R407	24R408	24R409	XD6010 24 VDC Electric Motor, 1/2 HP	60	41	1/2"x30	3/4"x30	1'x15	
		24R410	24R412	24R413	XD6010 115 VAC Electric Motor	60	41	1/2"x30	3/4"x30	1'x15	
	XD 70	24R449	24R450	24R451	XD7010 Pneumatic Motor	55	41	1"x23	1"x30		1 in/1 in
		24R446	24R447	24R448	XD7010 Hydraulic Motor	45	41	1"x23	1"x30		
		24R437	24R438	24R439	XD7010 12 VDC Electric Motor, 1/2 HP	60	41	1"x23	1"x30		
		24R440	24R441	24R442	XD7010 24 VDC Electric Motor, 1/2 HP	60	41	1"x23	1"x30		
		24R443	24R444	24R445	XD7010 115 VAC Electric Motor	60	41	1"x23	1"x30		
	XD 70	24R516	24R517	24R518	XD7015 Pneumatic Motor	56	41	1.25"x15	1.5"x15	1.5"x20	1.5 in/1.5 in
		24R512	24R513	24R515	XD7015 Hydraulic Motor	46	41	1.25"x15	1.5"x15	1.5"x20	
		24R503	24R504	24R505	XD7015 12 VDC Electric Motor, 1/2 HP	60	41	1.25"x15	1.5"x15	1.5"x20	
		24R506	24R507	24R508	XD7015 24 VDC Electric Motor, 1/2 HP	60	41	1.25"x15	1.5"x15	1.5"x20	
		24R509	24R510	24R511	XD7015 115 VAC Electric Motor	60	41	1.25"x15	1.5"x15	1.5"x20	
	XD 70	24T023	24T024	24T025	XD7020 Pneumatic Motor	58	41	2"x10			2 in/2 in
		24T020	24T021	24T022	XD7020 Hydraulic Motor	48	41	2"x10			
		24T011	24T012	24T013	XD7020 12 VDC Electric Motor, 1/2 HP	62	41	2"x10			
		24T014	24T015	24T016	XD7020 24 VDC Electric Motor, 1/2 HP	62	41	2"x10			
		24T017	24T018	24T019	XD7020 115 VAC Electric Motor	62	41	2"x10			

Operating temperature for grease reels is -18° to 82° C, all others are -40° to 82° C

Ordering Information

Hose Reel Ordering Information				Technical Specifications						
Applications	Model numbers by color			Description	Kg	Pressure bar	Recommended Hose Capacity		Inlet/Outlet Size npt (f)	
	Blue	Yellow	White				Hose Diameter	x Length m		
Fuel	XD 80	24R531	24R532	24R533	XD8010 Pneumatic Motor	74	41	1"x46		1 in/1 in
		24R528	24R529	24R530	XD8010 Hydraulic Motor	64	41	1"x46		
		24R519	24R520	24R521	XD8010 12 VDC Electric Motor, 1/2 HP	78	41	1"x46		
		24R522	24R523	24R524	XD8010 24 VDC Elec., Motor, 1/2 HP	78	41	1"x46		
		24R525	24R526	24R527	XD8010 115 VAC Electric, Motor	78	41	1"x46		
	XD 80	24R561	24R562	24R563	XD8015 Pneumatic Motor	75	41	1.5"x23	1.5"x50	1.5 in/1.5 in
		24R558	24R559	24R560	XD8015 Hydraulic Motor	65	41	1.5"x23	1.5"x50	
		24R549	24R550	24R551	XD8015 12 VAC Electric Motor, 1/2 HP	79	41	1.5"x23	1.5"x50	
		24R552	24R553	24R554	XD8015 24 VAC Electric Motor, 1/2 HP	79	41	1.5"x23	1.5"x50	
		24R555	24R556	24R557	XD8015 115 VAC Electric Motor	79	41	1.5"x23	1.5"x50	
	XD 80	24R576	24R577	24R578	XD8020 Pneumatic Motor	76	41	2"x15		2 in/2 in
		24R573	24R574	24R575	XD8020 Hydraulic Motor	67	41	2"x15		
		24R564	24R565	24R566	XD8020 12 VDC Electric Motor, 1/2 HP	81	41	2"x15		
		24R567	24R568	24R569	XD8020 24 VDC Electric Motor, 1/2 HP	81	41	2"x15		
	Grease- Bulk Transfer	XD 60	24R434	24R435	24R436	XD6010 Pneumatic Motor	75	207	1"x15	
24R431			24R432	24R433	XD6010 Hydraulic Motor	47	207	1"x15		
24R422			24R423	24R424	XD6010 12 VDC Electric Motor, 1/2 HP	61	207	1"x15		
24R425			24R426	24R427	XD6010 24 VDC Electric Motor, 1/2 HP	61	207	1"x15		
24R428			24R429	24R430	XD6010 115 VAC Electric Motor	61	207	1"x15		

Operating temperature for grease reels is -18° to 82° C, all others are -40° to 82° C

Ordering Information

Hose Reel Ordering Information

Technical Specifications

Applications	Model numbers by colour			Description	Weight kg	Pressure bar	Recommended Hose Capacity			Inlet/Outlet Size npt (f)	
	Blue	Yellow	White				Hose Diameter	x Length m			
Reel Frames Only (Pair with Motor Assemblies)											
Air/Water, Fuel	XD 60	24T104	24T105	24T106	XD6010 Bare Reel, No Motor	39	41	1/2"x30	3/4"x30	1"x15	1 in/1 in
	XD 70	24T110	24T111	24T112	XD7010 Bare Reel, No Motor	39	41	1"x23	1"x30		
	XD 80	24T122	24T123	24T124	XD8010, Bare Reel, No Motor	58	41	1"x46			
Fuel	XD 70	24T116	24T117	24T118	XD7015, Bare Reel, No Motor	39	41	1.25"x15	1.5"x15	1.5"x20	1.5 in/1.5 in
	XD 70	24T119	24T120	24T121	XD7020, Bare Reel, No Motor	41	41	2"x10			2 in/2 in
	XD 80	24T128	24T129	24T130	XD8015 Bare Reel, No Motor	58	41	1.5"x23	1.5"x30		1.5 in/1.5 in
	XD 80	24T131	24T132	24T133	XD8020 Bare Reel, No Motor	60	41	2"x15			2 in/2 in
Waste Oil Evac	XD 60	24T104	24T105	24T106	XD6010 Bare Reel, No Motor	39	41	1"x15			1 in/1 in
	XD 70	24T116	24T117	24T118	XD7015, Bare Reel, No Motor	39	41	1.25"x15	1.5"x15		1.5 in/1.5 in
Oil	XD 60	24T107	24T108	24T109	XD6010, Bare Reel, No Motor	40	207	1/2"x30	3/4"x30	1"x15	1 in/1 in
	XD 70	24T113	24T114	24T115	XD7010, Bare Reel, No Motor	39	207	1"x23	1"x30		
	XD 80	24T125	24T126	24T127	XD8010, Bare Reel, No Motor	58	207	1"x46			
Grease	XD 60	24T107	24T108	24T109	XD6010, Bare Reel, No Motor	39	41	1/2"x30	3/4"x30	1"x15	

Operating temperature for grease reels is -18° to 82° C, all others are -40° to 82° C

Motor Assemblies (Pair with Frame Only Models)

24T886	12 VDC, 1/2 HP motor assembly, reversible type. For installing motor to bare XD frame
24T888	24 VDC, 1/2 HP motor assembly, reversible type. For installing motor to bare XD frame
24T889	115 VAC, 0.40 HP, motor assembly, reversible type. For installing motor to bare XD frame
24T890	230 VAC, 1/2 HP, motor assembly, reversible type. For installing motor to bare XD frame
24T891	Hydraulic motor assembly, reversible type. For installing motor to bare XD reel
24T892	Pneumatic motor assembly, reversible type. For installing motor to bare XD reel

Accessories

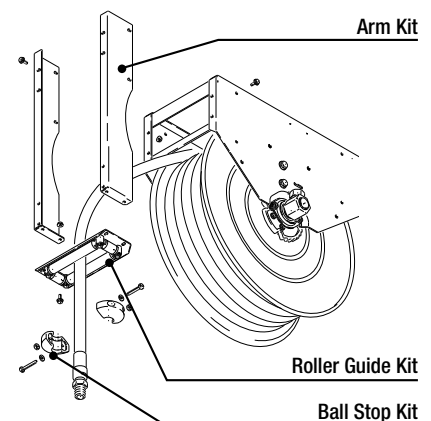
Inlet Hose Kits	Pressure bar	Length mm	Hose I.D. / Inlet	
24R111	Inlet kit for air/water and oil	88	711	1 in. npt(m)
24R112	Inlet kit for waste oil evacuation	17	711	1 in. npt(m)
24R115	Inlet kit for fuel	17	711	1 in. npt(m)
24R117	Inlet kit for fuel	10	711	1.5 in. npt(m)
24R118	Inlet kit for fuel	10	711	2 in. npt(m)

Ball Stop Kits

237873	For 3/4 in hose
237874	For 1 in hose
24R060	For 1.25 in hose
24R061	For 1.5 in hose

Hose Guides

24T327	Stainless Steel Hose Guide for XD 60 (+ Arm Kit: 24T332)
24T328	Stainless Steel Hose Guide for XD 70 (+ Arm Kit: 24T333)
24T329	Stainless Steel Hose Guide for XD 80 (+ Arm Kit: 24T334)
24R072	Roller Guide Kit with Bracket for XD 60 (+ Arm Kit: 24T335)
24T330	Roller Guide Kit with Bracket for XD 70 (+ Arm Kit: 24T336)
24T331	Roller Guide Kit with Bracket for XD 80 (+ Arm Kit: 24T337)

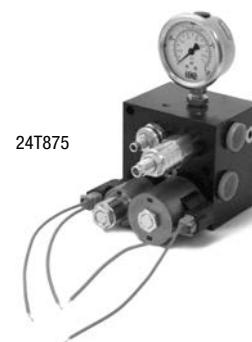


Ordering Information

Accessories

Controls	
24T875	Hydraulic control module for electric over hydraulic control of XD 60/70/80 hydraulic powered hose reels, 12 VDC, three position, four-way valve
24T876	Hydraulic control module for electric over hydraulic control of XD 60/70/80 hydraulic powered hose reels, 24 VDC, three position, four-way valve
127224	Hydraulic control module for electric over hydraulic control of XD 60/70/80 hydraulic powered hose reels, 12V, includes switch. 3 Position, 4 way valve
127225	Hydraulic control module for electric over hydraulic control of XD 60/70/80 hydraulic powered hose reels, 24V includes switch. 3 Position, 4 way valve
127271	Pneumatic valve to control XD 60/70/80 pneumatic powered hose reels. Two position, three-way valve
127214	Momentary Push-Button On/Off switch with red rubber cap. Use for 12 or 24 VDC
127217	Hazardous location push button On/Off switch. Use for 12 and 24 VDC
127223	Hazardous location push button On/Off switch. Use for 115 and 220 VAC
127218	Hazardous location junction box
127219	12 VDC intermittent duty solenoid recommended for activating rewind on 12 VDC motor
127220	24 VDC intermittent duty solenoid recommended for activating rewind on 24 VDC motor
127221	Manual reset push button circuit breaker, 50 amp rating.
127222	Manual reset push button circuit breaker, 25 amp rating.

Hoses		Pressure bar	Hose I.D. in.	
Fuel	24R102	1" x 15m coupled fuel hose	17	1
	24R103	1" x 23m coupled fuel hose	17	1
	24R106	1" x 30m coupled fuel hose	17	1
	24T252	1" x 46m coupled fuel hose	17	1
	24R108	1.25" x 10,5m coupled fuel hose	17	1.25
	24R110	1.25" x 15m coupled fuel hose	17	1.25
	24R114	1.5" x 15m coupled fuel hose	11	1.5
	24T253	1.5" x 30m coupled fuel hose	11	1.5
	127167	2" x 10m coupled fuel hose	11	2
24T254	2"x 15m coupled fuel hose	11	2	
Air/Water	126359	1/2" x 30m coupled air/water hose	20,6	1/2
	126360	3/4" x 23m coupled air/water hose	20,6	3/4
	126361	3/4" x 30m coupled air/water hose	20,6	3/4
	126362	1" x 15m coupled air/water hose	20,6	1
	126363	1" x 23m coupled air/water hose	20,6	1
	126364	1" x 30m coupled air/water hose	20,6	1
Oil	126375	1/2" x 30m coupled oil hose	138	1/2
	126376	3/4" x 23m coupled oil hose	138	3/4
	126377	3/4" x 30m coupled oil hose	103	3/4
	126503	1" x 15m coupled oil hose	88	1
	126504	1" x 23m coupled oil hose	88	1
	126505	1" x 30m coupled oil hose	88	1
Waste Oil Evac.	126379	1" x 15m coupled waste oil evac hose	17	1
	126688	1.25" x 15m coupled waste oil evac hose	13,8	1.25
	126380	1.25" x 10,5m coupled waste oil evac hose	13,8	1.25
	127173	1.5" x 15m coupled waste oil evac hose	13,8	1



24T875



12/218



127219



127214



127221



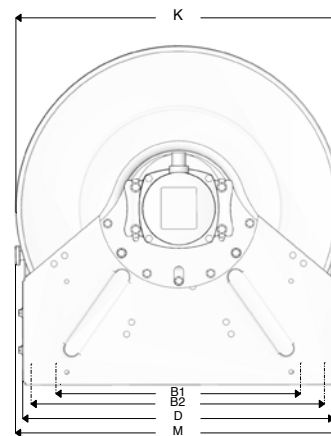
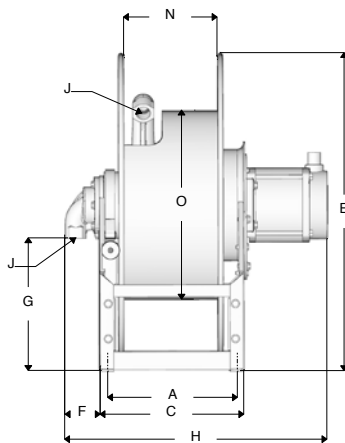
127222

Ordering Information

BSPP/BSPT Conversion Kits	
24T359	BSPP Conversion Kit. To convert a 1" XD 60 or XD 80 reel from NPT to BSPP
24T361	BSPP Conversion Kit. To convert a 1" XD 70 reel from NPT to BSPP
24T365	BSPP Conversion Kit. To convert a 1.5" XD 70 from NPT to BSPP
24T363	BSPP Conversion Kit. To convert a 1.5" XD 80 from NPT to BSPP
24T360	BSPT Conversion Kit. To convert a 1" XD 60 or XD 80 reel from NPT to BSPT
24T362	BSPT Conversion Kit. To convert a 1" XD 70 reel from NPT to BSPT
24T366	BSPT Conversion Kit. To convert a 1.5" XD 70 from NPT to BSPT
24T364	BSPT Conversion Kit. To convert a 1.5" XD 80 from NPT to BSPT
24T368	BSPT Conversion Kit. To convert a 2" XD 70 from NPT to BSPT
24T367	BSPT Conversion Kit. To convert a 2" XD 80 from NPT to BSPT

Technical Information

Dimensions



Model	Power Source	A	B1	B2	C	D	E	F	G	H	J	K	M	N	O	P
		(mm)														
XD 6010	Pneumatic	265	565	na	300	610	663	71	277	519	1" npt	635	660	198	394	11
XD 6010	Hydraulic	265	565	na	300	610	663	71	277	400	1" npt	635	660	198	394	11
XD 6010	Electric	265	565	na	300	610	663	71	277	547	1" npt	635	660	198	394	11
XD 7010	Pneumatic	329	565	na	363	610	663	71	277	583	1" npt	635	660	254	254	11
XD 7010	Hydraulic	329	565	na	363	610	663	71	277	463	1" npt	635	660	254	254	11
XD 7010	Electric	329	565	na	363	610	663	71	277	611	1" npt	635	660	254	254	11
XD7015	Pneumatic	329	565	na	363	610	663	91	277	603	1.5" npt	635	660	254	254	11
XD7015	Hydraulic	329	565	na	363	610	663	91	277	483	1.5" npt	635	660	254	254	11
XD7015	Electric	329	565	na	363	610	663	91	277	631	1.5" npt	635	660	254	254	11
XD7020	Pneumatic	329	565	na	363	610	663	102	259	613	2" npt	635	660	254	254	11
XD7020	Hydraulic	329	565	na	363	610	663	102	259	493	2" npt	635	660	254	254	11
XD7020	Electric	329	565	na	363	610	663	102	259	641	2" npt	635	660	254	254	11
XD8010	Pneumatic	525	565	679	561	724	765	71	340	779	1" npt	711	772	457	394	11
XD8010	Hydraulic	525	565	679	561	724	765	71	340	659	1" npt	711	772	457	394	11
XD8010	Electric	525	565	679	561	724	765	71	340	807	1" npt	711	772	457	394	11
XD8015	Pneumatic	525	565	679	561	724	765	91	340	799	1.5" npt	711	772	457	394	11
XD8015	Hydraulic	525	565	679	561	724	765	91	340	679	1.5" npt	711	772	457	394	11
XD8015	Electric	525	565	679	561	724	765	91	340	827	1.5" npt	711	772	457	394	11
XD8020	Pneumatic	525	565	679	561	724	765	102	323	809	2" npt	711	772	457	394	11
XD8020	Hydraulic	525	565	679	561	724	765	102	323	689	2" npt	711	772	457	394	11
XD8020	Electric	525	565	679	561	724	765	102	323	837	2" npt	711	772	457	394	11



ABOUT GRACO

Founded in 1926, Graco is a world leader in fluid handling systems and components. Graco products move, measure, control, dispense and apply a wide range of fluids and viscous materials used in vehicle lubrication, commercial and industrial settings.

The company's success is based on its unwavering commitment to technical excellence, world-class manufacturing and unparalleled customer service. Working closely with qualified distributors, Graco offers systems, products and technology that set the quality standard in a wide range of fluid handling solutions. Graco provides equipment for spray finishing, protective coating, paint circulation, lubrication, and dispensing sealants and adhesives, along with power application equipment for the contractor industry. Graco's ongoing investment in fluid management and control will continue to provide innovative solutions to a diverse global market.

GRACO LOCATIONS

MAILING ADDRESS

P.O. Box 1441
Minneapolis, MN 55440-1441
Tel: 612-623-6000
Fax: 612-623-6777

AMERICAS

MINNESOTA

Worldwide Headquarters
Graco Inc.
88-11th Avenue N.E.
Minneapolis, MN 55413

EUROPE

BELGIUM

European Headquarters
Graco BVBA
Industrieterrein-Oude Bunders
Slakweidestraat 31
3630 Maasmechelen,
Belgium
Tel: 32 89 770 700
Fax: 32 89 770 777

ASIA PACIFIC

AUSTRALIA

Graco Australia Pty Ltd.
Suite 17, 2 Enterprise Drive
Bundoora, Victoria 3083
Australia
Tel: 61 3 9468 8500
Fax: 61 3 9468 8599

CHINA

Graco Hong Kong Ltd.
Shanghai Representative Office
Building 7
1029 Zhongshan Road South
Huangpu District
Shanghai 200011
The People's Republic of China
Tel: 86 21 649 50088
Fax: 86 21 649 50077

INDIA

Graco Hong Kong Ltd.
India Liaison Office
Room 432, Augusta Point
Regus Business Centre 53
Golf Course Road
Gurgaon, Haryana
India 122001
Tel: 91 124 435 4208
Fax: 91 124 435 4001

JAPAN

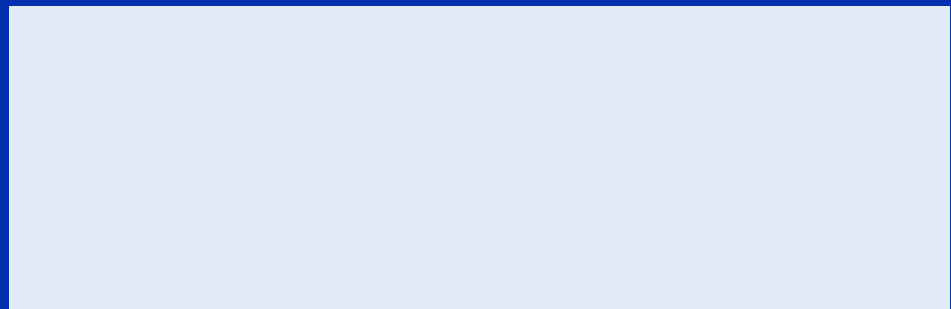
Graco K.K.
1-27-12 Hayabuchi
Tsuzuki-ku
Yokohama City, Japan 2240025
Tel: 81 45 593 7300
Fax: 81 45 593 7301

KOREA

Graco Korea Inc.
Shinhan Bank Building
4th Floor #1599
Gwanyang-Dong, Dongan-Ku,
Anyang-si, Korea 431-060
Tel: 82 31 476 9400
Fax: 82 31 476 9801

All written and visual data contained in this document are based on the latest product information available at the time of publication. Graco reserves the right to make changes at any time without notice.

Graco is certified ISO 9001.



Europe
+32 89 770 700
FAX +32 89 770 777
WWW.GRACO.COM

©2013 Graco BVBA 341045ENEU Rev. B 02/16

All other brand names or marks are used for identification purposes and are trademarks of their respective owners.