

Box Lubricator / Lubricator Reservoir

3A3006C
EN

Lubrication reservoir used with GBL7500 Gravity Fed or Pressure Fed Box Lubricator Pumps for dispensing non-corrosive and non-abrasive oils and lubricants. For professional use only.

Maximum Input: 1800 RPM

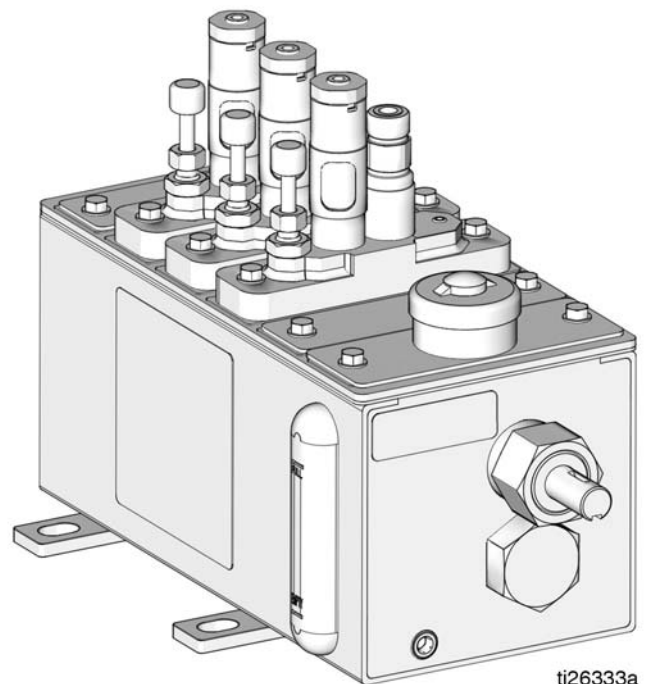
Models:

Model	Description	Certification
24W633	Lubricator Reservoir 4 Point	CE
24W634	Lubricator Reservoir 6 Point	
24W635	Box Lubricator 6 Point	CE
24W636	Box Lubricator 4 Point	Ex II 2 G c k T6



Important Safety Instructions

Read all warnings and instructions in this manual and your pump instruction manual. Save all instructions.






ti26333a

Related Manuals (Models 24W635 and 24W636):

3A2257 - GBL7500 Box Lubricator Pump and GBL Shaft Rotation/Low Level Alarm Pump

Warnings

The following warnings are for the setup, use, grounding, maintenance, and repair of this equipment. The exclamation point symbol alerts you to a general warning and the hazard symbols refer to procedure-specific risks. When these symbols appear in the body of this manual or on warning labels, refer back to these Warnings. Product-specific hazard symbols and warnings not covered in this section may appear throughout the body of this manual where applicable.

 WARNING	
	<p>SKIN INJECTION HAZARD</p> <p>High-pressure fluid from dispensing device, hose leaks, or ruptured components will pierce skin. This may look like just a cut, but it is a serious injury that can result in amputation. Get immediate surgical treatment.</p> <ul style="list-style-type: none"> • Do not point dispensing device at anyone or at any part of the body. • Do not put your hand over the fluid outlet. • Do not stop or deflect leaks with your hand, body, glove, or rag. • Follow the Pressure Relief Procedure when you stop dispensing and before cleaning, checking, or servicing equipment. • Tighten all fluid connections before operating the equipment. • Check hoses and couplings daily. Replace worn or damaged parts immediately.
	<p>FIRE AND EXPLOSION HAZARD</p> <p>When flammable fluids are present in the work area, such as gasoline and windshield wiper fluid, be aware that flammable fumes can ignite or explode. To help prevent fire and explosion:</p> <ul style="list-style-type: none"> • Use equipment only in well ventilated area. • Eliminate all ignition sources, such as cigarettes and portable electric lamps. • Keep work area free of debris, including rags and spilled or open containers of solvent and gasoline. • Do not plug or unplug power cords or turn lights on or off when flammable fumes are present. • Ground all equipment in the work area. • Use only grounded hoses. • Stop operation immediately if static sparking occurs or you feel a shock. Do not use equipment until you identify and correct the problem. • Keep a working fire extinguisher in the work area.

⚠ WARNING



EQUIPMENT MISUSE HAZARD

Misuse can cause death or serious injury.

- Do not operate the unit when fatigued or under the influence of drugs or alcohol.
- Do not exceed the maximum working pressure or temperature rating of the lowest rated system component. See **Technical Data** in all equipment manuals.
- Use fluids and solvents that are compatible with equipment wetted parts. See Technical Data in all equipment manuals. Read fluid and solvent manufacturer's warnings. For complete information about your material, request MSDS from distributor or retailer.
- Turn off all equipment and follow the **Pressure Relief Procedure** when equipment is not in use.
- Check equipment daily. Repair or replace worn or damaged parts immediately with genuine manufacturer's replacement parts only.
- Do not alter or modify equipment. Alterations or modifications may void agency approvals and create safety hazards.
- Make sure all equipment is rated and approved for the environment in which you are using it.
- Use equipment only for its intended purpose. Call your distributor for information.
- Route hoses and cables away from traffic areas, sharp edges, moving parts, and hot surfaces.
- Do not kink or over bend hoses or use hoses to pull equipment.
- Keep children and animals away from work area.
- Comply with all applicable safety regulations.



MOVING PARTS HAZARD

Moving parts can pinch, cut or amputate fingers and other body parts.

- Keep clear of moving parts.
- Do not operate equipment with protective guards or covers removed.
- Pressurized equipment can start without warning. Before checking, moving, or servicing equipment, follow the **Pressure Relief Procedure** and disconnect all power sources.






PERSONAL PROTECTIVE EQUIPMENT

Wear appropriate protective equipment when in the work area to help prevent serious injury, including eye injury, hearing loss, inhalation of toxic fumes, and burns. Protective equipment includes but is not limited to:

- Protective eye wear, and hearing protection.
- Respirators, protective clothing, and gloves as recommended by the fluid and solvent manufacturer.

Installation

Grounding

						
<p>The equipment must be grounded to reduce the risk of static sparking. Static sparking can cause fumes to ignite or explode. Grounding provides an escape wire for electric current.</p>						

The lubricator must be connected to a ground source.

Component Identification

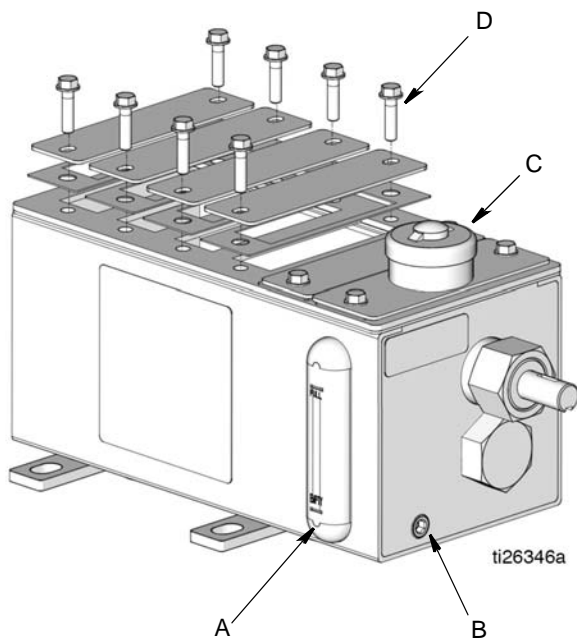


FIG. 1




Key:

- A Sight glass
- B Drain plug
- C Fill cover
- D Pump Mounting screws

The GBL7500 Box Lubricator Pump and GBL Shaft Rotation/Low Level Alarm Pump are available from Graco. See Accessories page 9 for information about these pump models.

Installation Procedure

The reference letters used in the following instructions, refer to FIG. 1.

						
<p>Mount the reservoir securely so that it cannot move around during operation. Failure to do so could result in injury or equipment damage.</p>						

1. Install the reservoir on a level surface in a location that will adequately support the weight of reservoir when filled with lubricant and also provides easy operator access for filling the reservoir and periodic maintenance.



See mounting hole layout in the Reservoir and Mounting Dimension section of this manual, page 10.

2. Install mounting brackets and tighten securely.
3. Install GBL-7500 pump(s) into box. Torque mounting bolts (D) to 110 in-lbs ± 10 in-lbs (12.43 N.m ± 1.13 N.m). 1 to 6 pumps can be installed. Refer to GBL-7500 manual for output adjustment and pump information
4. Remove fill cover (C) and fill reservoir with clean, filtered fluid until it reaches the full line on the sight glass. A sight level gauge is provided on the reservoir to monitor the fluid level.

NOTE:

- Filter oil with a minimum 25 micron strainer. Depending on machine requirements it may be necessary to maintain a higher cleanliness level.
- A pump blank is provided to install over all unused pump stations.
- Refer to pump instruction manual for pump **installation and priming** instructions. (See Parts, page 8 for Graco pump model information.)

Drive Mechanism


						
<p>Moving parts can pinch, cut or amputate fingers and other body parts.</p> <ul style="list-style-type: none"> • Install protective guards around all drive components. • Do not operate equipment if protective guards are not installed. 						

A 1/2 in. diameter shaft is provided to connect the lubricator to a rotary power source.

Notice

The maximum recommended speed of the box lubricator input shaft is 1800 rpm. To avoid box damage, do not exceed the maximum value of 1800 rpm.

Operation

					
---	--	--	--	--	--

Initial Run-In

Fill gear box to FULL line (22a) on the sight glass (22) with SAE 30 to SAE 40 weight gear lube. Run the box normally and change gear lube after a 2 week run in period. (FIG. 2).

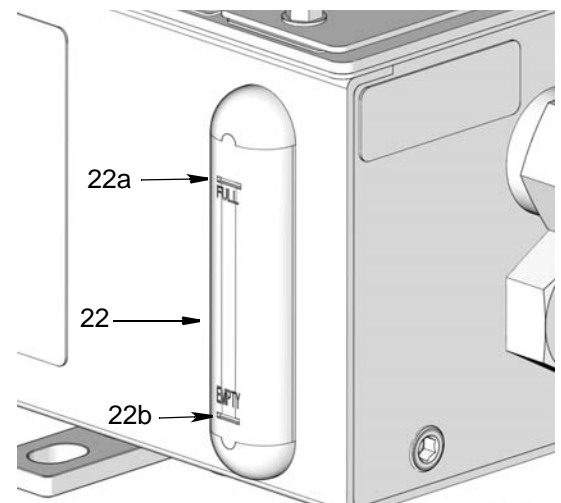


FIG. 2

Service

Pressure Relief Procedure



Follow the Pressure Relief Procedure whenever you see this symbol.

<p>This equipment stays pressurized until pressure is manually relieved. To help prevent serious injury from pressurized fluid, such as skin injection, splashing fluid and moving parts, follow the Pressure Relief Procedure in your pump manual when you stop dispensing and before cleaning, checking, or servicing the equipment.</p>					

Follow the **Pressure Relief Procedure included in your pump manual**, before performing any service procedures.

Maintenance

1. Lubricator operation can be checked by observing the drip tube located within the sight glass well of your pump (if equipped).
 - If the correct pumping rate is maintained, no servicing is required other than periodic replenishment of the reservoir.
 - If the sight glass well pumps dry or no flow is observed refer to the Troubleshooting Section, page 7.
2. Inspect box for worn or damaged components. Replace as necessary.
3. Clean lubricator periodically to eliminate contamination that may have occurred in the oil. To accomplish this:
 - a. Drain reservoir by removing drain plug (B) (FIG. 1). Dispose of oil according to all applicable safety regulations.
 - b. Remove all pumping units.
 - c. Clean the pumps and reservoir by brushing loose all foreign matter, dipping in solvent and blowing dry with compressed air.

- d. Replace pumping units. Torque mounting bolts (D) (FIG. 1) to 110 in. lbs \pm 10 in. lbs. (12.43 N.m \pm 1.13 N.m).
- e. Apply thread sealant (user supplied) to drain plug (B) (FIG. 1) and replace. Torque to 35 in. lbs \pm 5 in. lbs. (3.95 N.m \pm 0.6 N.m).
- f. Fill reservoir. (See Refilling/Replacing Gearbox Lube, page 5).

Refilling/Replacing Gearbox Lube

When necessary, fill the lubricator reservoir with clean filtered lubricant until it reaches the FULL line (22a) on the sight glass (22).

A sight level gauge is provided on the reservoir to monitor the fluid level. The oil level should not be allowed to drop below the EMPTY line (22b) indicating an empty reservoir.

The gearbox lubricant should be checked regularly to ensure proper lubrication of the gearbox.

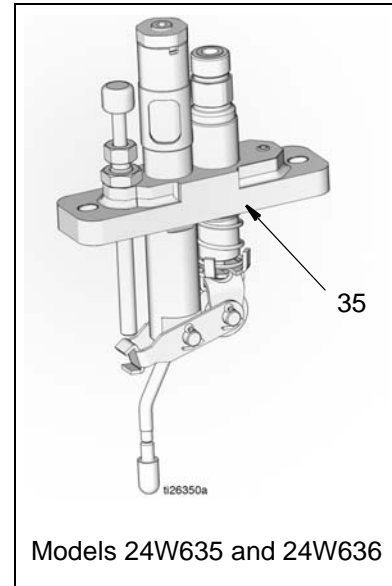
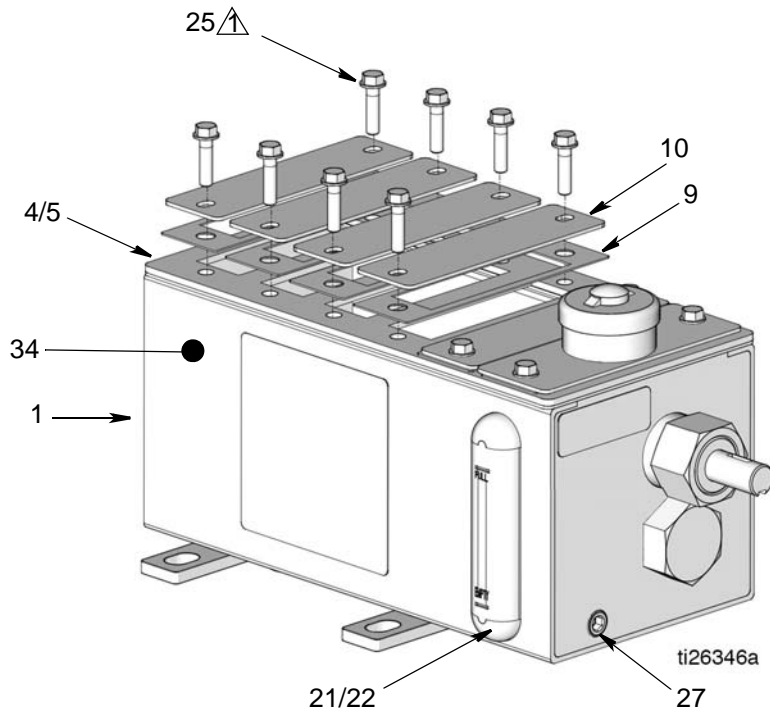
Change fluid annually.


Troubleshooting



Problem	Cause	Solution
Sight well pumps dry	Low oil level in reservoir	Add oil. See Refilling the Reservoir, page 5. Check drain plug and tighten if necessary.
No flow from pump outputs	Camshaft not rotating because rotary power source is defective	Repair rotary power source.
	Broken camshaft	Replace lubricator box.
	Pump issue	Refer to the Troubleshooting Section of your pump instruction manual.
Leaking from under pump	Defective gasket	Replace gasket.
Leaking from reservoir drain plug	Insufficient thread sealant	Clean and replace thread sealant (user supplied).

Parts



 Torque to 110 in.-lbs \pm 10 in.-lbs
(12.43 N.m \pm 1.13 N.m)

Ref Part No.	Description	Qty	Ref Part No.	Description	Qty
1	17C573 RESERVOIR, 4 pt, models 24W633 and 24W636	1	25	119426 SCREW, machine, hex washer head, models 24W633, 24W636	10
	17C574 RESERVOIR, 6 pt, models 24W634 and 24W635	1		SCREW, machine, hex washer head, model 24W634, 24W635	14
4	16Y559 COVER, models 24W633 and 24W636	1	27	557391 PLUG, dry seal, 1/4 NPTF	2
	17D148 COVER, models 24W634 and 24W635	1	34▲	16G243 LABEL, safety, warning, injection, fire and explosion	1
5	16Y558 GASKET, cover (not shown), models 24W633 and 24W636	1	35❖	24J392 PUMP, GBL, 7500, suction, model 24W635	5
	17D149 GASKET, cover (not shown), models 24W634 and 24W635	1		PUMP, GBL, 7500, suction, model 24W636	3
9	556732 GASKET, pump, models 24W633, 24W636	5	▲ Replacement Danger and Warning labels, tags, and cards are available at no cost.		
	GASKET, pump, model 24W634, 24W635	7	❖ See pump instruction manual 3A2257.		
10	557128 PLATE, blank, models 24W633, 24W636	5			
	PLATE, blank, models 24W634 and 24W635	7			
21	556715 GASKET, level sight glass (not shown)	1			
22	556697 SIGHTGLASS, level	1			

Accessories

Pumps*

Part No.	Description
24J391	3/16 in. Suction Fed Pump
24J392	1/4 in. Suction Fed Pump
24J393	3/8 in. Suction Fed Pump
24J394	3/16 in. Gravity Fed Pump
24J395	1/4 in. Gravity Fed Pump
24J396	3/8 in. Gravity Fed Pump
24J397	3/16 in. Pressure Fed Pump
24J398	1/4 in. Pressure Fed Pump
24J399	3/8 in. Pressure Fed Pump
24K466	Alarm Pump

*See pump instruction manual 3A2257.

Other Accessories

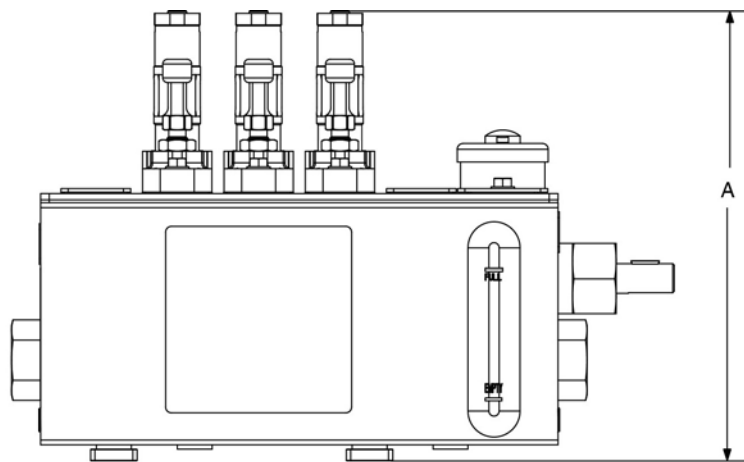
Part No.	Description	Special Features/Notes
559307	Gravity Supply	Mounted in the last pump station.
		Exception is when an Alarm Pump is used, then this option is mounted in the second to the last pump station.
563026	Pressurized Supply	Mounted in the last pump station.
		Exception is when an Alarm Pump is used, then this option is mounted in the second to the last pump station.
563013	Low Level Switch	Single-pole, double-throw.
		Meets Explosion Proof Class 1 Group C & D requirements.
		Meets Explosion Proof Class 2 Group E, F & G requirements.
		Mounted in the last pump station.
564015	Low Level Switch	Exception is when an Alarm Pump is used, then this option is mounted in the second to the last pump station.
		Single-pole, single-throw.
		N.C. Electric Rating is 10 watts @ 120 VAC (minimum).
		Mounted in the last pump station.
564015	Low Level Switch	Exception is when an Alarm Pump is used, then this option is mounted in the second to the last pump station.
		Exception is when an Alarm Pump is used, then this option is mounted in the second to the last pump station.

Technical Data

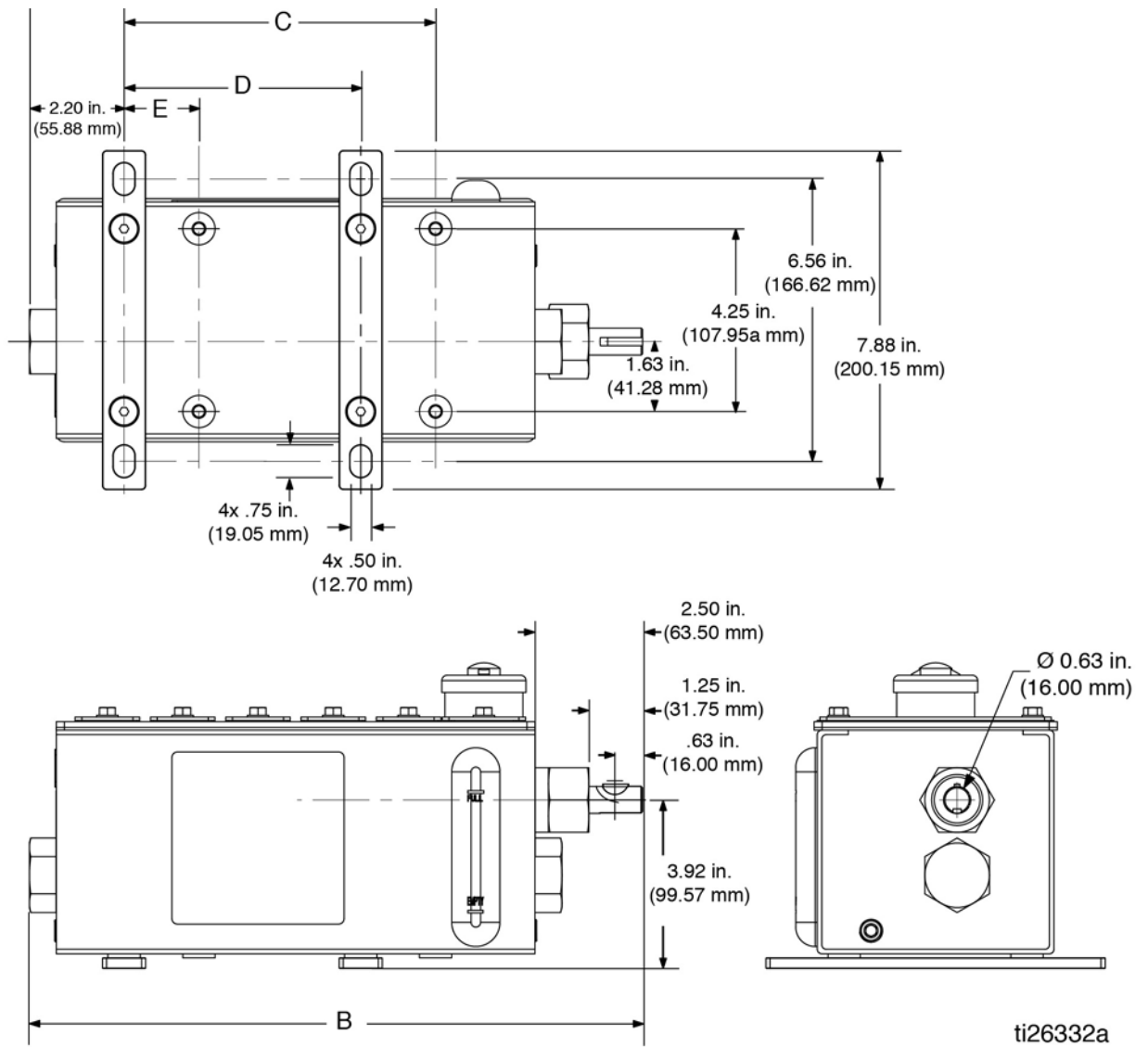
Box Lubricator		
	US	Metric
Pump Size	Maximum Outlet Pressure	Maximum Outlet Pressure
3/16"	7500 psi	51.71 MPa 517.1 bar
Reservoir Capacity		
Model 24W633, 24W636	4 Pints	
Model 24W634, 24W635	6 Pints	
Temperature		
Operating Temperature Range	-20°F to 140°F	-29°C to 60°C
Fluid Viscosity		
Dispensing Fluid Viscosity	80 to 5000 SUS	
Materials of Constructions		
Wetted Materials	carbon steel, nylon, fluoroelastomer, cork, brass, aluminum	
Drive Speed		
Drive Speed	1800 rpm max	

Reservoir and Mounting Dimensions

Dimensions are shown in inches (mm) - See Dimensions Table, page 11



ti26352a



ti26332a

Dimensions Table

Part No.	Description	A		B		C		D		E	
		inch	mm	inch	mm	inch	mm	inch	mm	inch	mm
24W633	Lubricator Reservoir 4 Point	NA	NA	14.25	361.95	7.24	183.90	5.5	139.7	1.74	44.20
24W636	Box Lubricator 4 Point	9.67	245.62								
24W634	Lubricator Reservoir 6 Point	NA	NA	15.88	403.35	NA	NA	NA	NA	NA	NA
24W635	Box Lubricator 6 Point	9.67	245.62								

Graco Standard Warranty

Graco warrants all equipment referenced in this document which is manufactured by Graco and bearing its name to be free from defects in material and workmanship on the date of sale to the original purchaser for use. With the exception of any special, extended, or limited warranty published by Graco, Graco will, for a period of twelve months from the date of sale, repair or replace any part of the equipment determined by Graco to be defective. This warranty applies only when the equipment is installed, operated and maintained in accordance with Graco's written recommendations.

This warranty does not cover, and Graco shall not be liable for general wear and tear, or any malfunction, damage or wear caused by faulty installation, misapplication, abrasion, corrosion, inadequate or improper maintenance, negligence, accident, tampering, or substitution of non-Graco component parts. Nor shall Graco be liable for malfunction, damage or wear caused by the incompatibility of Graco equipment with structures, accessories, equipment or materials not supplied by Graco, or the improper design, manufacture, installation, operation or maintenance of structures, accessories, equipment or materials not supplied by Graco.

This warranty is conditioned upon the prepaid return of the equipment claimed to be defective to an authorized Graco distributor for verification of the claimed defect. If the claimed defect is verified, Graco will repair or replace free of charge any defective parts. The equipment will be returned to the original purchaser transportation prepaid. If inspection of the equipment does not disclose any defect in material or workmanship, repairs will be made at a reasonable charge, which charges may include the costs of parts, labor, and transportation.

THIS WARRANTY IS EXCLUSIVE, AND IS IN LIEU OF ANY OTHER WARRANTIES, EXPRESS OR IMPLIED, INCLUDING BUT NOT LIMITED TO WARRANTY OF MERCHANTABILITY OR WARRANTY OF FITNESS FOR A PARTICULAR PURPOSE.

Graco's sole obligation and buyer's sole remedy for any breach of warranty shall be as set forth above. The buyer agrees that no other remedy (including, but not limited to, incidental or consequential damages for lost profits, lost sales, injury to person or property, or any other incidental or consequential loss) shall be available. Any action for breach of warranty must be brought within two (2) years of the date of sale.

GRACO MAKES NO WARRANTY, AND DISCLAIMS ALL IMPLIED WARRANTIES OF MERCHANTABILITY AND FITNESS FOR A PARTICULAR PURPOSE, IN CONNECTION WITH ACCESSORIES, EQUIPMENT, MATERIALS OR COMPONENTS SOLD BUT NOT MANUFACTURED BY GRACO. These items sold, but not manufactured by Graco (such as electric motors, switches, hose, etc.), are subject to the warranty, if any, of their manufacturer. Graco will provide purchaser with reasonable assistance in making any claim for breach of these warranties.

In no event will Graco be liable for indirect, incidental, special or consequential damages resulting from Graco supplying equipment hereunder, or the furnishing, performance, or use of any products or other goods sold hereto, whether due to a breach of contract, breach of warranty, the negligence of Graco, or otherwise.

FOR GRACO CANADA CUSTOMERS

The Parties acknowledge that they have required that the present document, as well as all documents, notices and legal proceedings entered into, given or instituted pursuant hereto or relating directly or indirectly hereto, be drawn up in English. Les parties reconnaissent avoir convenu que la rédaction du présente document sera en Anglais, ainsi que tous documents, avis et procédures judiciaires exécutés, donnés ou intentés, à la suite de ou en rapport, directement ou indirectement, avec les procédures concernées.

Graco Information

For the latest information about Graco products, visit www.graco.com.

For patent information, see www.graco.com/patents.

TO PLACE AN ORDER, contact your Graco distributor or call to identify the nearest distributor.

Phone: 612-623-6928 **or Toll Free:** 1-800-533-9655, **Fax:** 612-378-3590

All written and visual data contained in this document reflects the latest product information available at the time of publication. Graco reserves the right to make changes at any time without notice.

Original instructions. This manual contains English. MM 3A3006

Graco Headquarters: Minneapolis

International Offices: Belgium, China, Japan, Korea

GRACO INC. AND SUBSIDIARIES • P.O. BOX 1441 • MINNEAPOLIS MN 55440-1441 • USA

Copyright 2015, Graco Inc. All Graco manufacturing locations are registered to ISO 9001.

www.graco.com

Revised August 2016