



# AirPro®

Advanced Spraying Technology for Automotive, Metal, Wood,  
Waterborne, High Wear and Adhesive Applications



PROVEN QUALITY. LEADING TECHNOLOGY.

# AirPro® Air Spray Gun

## Advanced Spraying Technology

The AirPro air spray gun delivers exceptional spray performance while addressing your environmental and operator concerns - whether you're a custom shop or a high volume manufacturing facility.

- **Optimize spray performance** with our cutting edge aircap and nozzle design
- Choose from a **wide range of gun models** to meet the needs of your specific application
- Maximize operator comfort with our **lightweight** design, **low trigger force** and **ergonomic handle**
- **Reduce maintenance** and downtime with fewer gun parts



## Versatile Aircaps

Meet the needs of your environment with three different air spray technologies. Graco's AirPro gun has the versatility and flexibility to accommodate a variety of applications to fit your spraying needs.

### AirPro Spray Gun



HVLP



COMPLIANT



CONVENTIONAL

FINISH QUALITY

Good

Better

Best

TRANSFER EFFICIENCY

High

High

Medium

FLUID FLOW

Low

Medium

High

AIR FLOW

High

Low

Low

SUPERIOR QUALITY

## Apply Superior Quality Finishes

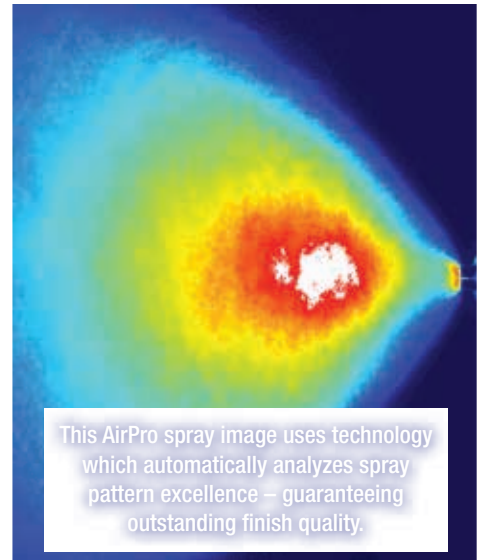
With one of the best spray patterns in the industry, the AirPro gun is a real stand-out!

- Even material distribution through the spray pattern for optimum coverage
- Improved transfer efficiency through reduced air consumption
- Uniform air flow through reduced spray turbulence
- Enhanced atomization through material-specific aircaps

To test these key features, Graco uses multi-dimensional imaging to measure material spray density and material distribution.

- Red indicates dense particles
- Blue indicates dispersed particles

As shown in the picture, an even blue pattern throughout is desired at the spray target.



## Maximize Operator Comfort and Increase Productivity

Ergonomically designed for superior handling, the AirPro guns maximize productivity by minimizing operator fatigue and discomfort:

- Well balanced and lightweight (410 grams) gun makes it easier to spray at a steady rate all day
- Ultra-light trigger pull reduces operator muscle stress
- Ergonomic gun handle provides a comfortable grip
- Rounded control knobs for operator comfort



ERGONOMIC





## Wood

Aircaps and nozzles are specifically designed for wood finishing applications that require uniform material distribution at low pressures.

- Stains
- NGRs
- Toners

Needle/nozzle sizes available in 0.020", 0.030" and 0.040" (0.5, 0.8, and 1.0 mm).



## Waterborne

Aircaps designed to spray environmentally friendly waterborne materials even with high solids content.

- Lacquers
- UV materials
- Paints

Needle/nozzle sizes available in 0.030", 0.042" and 0.055" (0.8, 1.1, and 1.4 mm).



## Adhesive

Unique aircaps designed for spraying waterborne and solventborne adhesives and sealants.

For use in a variety of industries.

- Furniture
- Automotive
- Packaging

Needle/nozzle sizes in 0.051" and 0.70" (1.3 and 1.8 mm).



## General Metal

The AirPro gun is ideal for metal parts fabricators and metal finishing shop operations requiring high quality paint jobs.

Works well with a wide variety of industrial coatings.

- Urethanes
- Epoxies
- Latex
- 2 component materials

Needle/nozzle sizes range from 0.020" up to 0.110" (0.5-2.8 mm).



## High Wear

These guns are designed with a carbide nozzle and needle tip for long life with abrasive materials.

- Enamels
- Ceramics
- Metallics
- High solids



Available in 4 needle/nozzle sizes, 0.059", 0.070", 0.086" and 0.110" (1.5, 1.8, 2.2 and 2.8 mm).



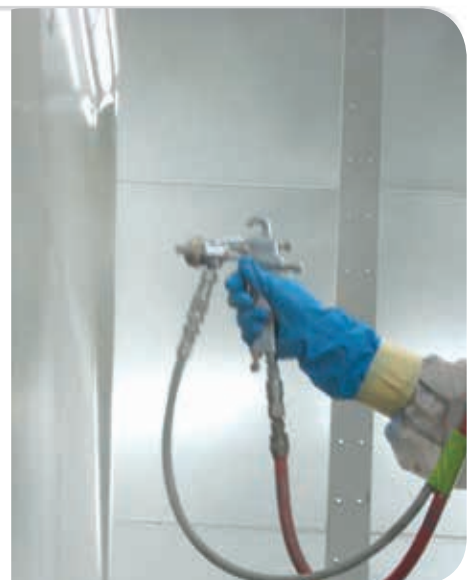
## Automotive

Whether painting a car, motorhome, truck or bus, the AirPro spray gun provides excellent atomization for Class A finishes.

It is optimized to paint:

- Base coats
- Clear coats
- Primers

Needle/nozzle sizes from 0.030" to 0.055" (0.8-1.4 mm).



## High Performance Finishing!

### Superior Finish Quality

- Consistent pattern and film on parts.
- Constant flow to the spray gun.



Triton pump provides 50% less pressure pulsation than standard diaphragm pumps.

Note: Pump-to-pump comparison without fluid regulator

Quality pumps enhance any finishing system. Paired with AirPro spray guns, the Triton air-operated diaphragm spray package applies a high quality, decorative finish to wood and metal parts.

Triton is a more effective alternative to traditional pressure pots and standard diaphragm pumps.

## High Quality Finish

Low pulsation output and smooth pump changeover deliver a consistent spray pattern.



## Easy-to-use

Quick color changes and fast material refills save time and money.



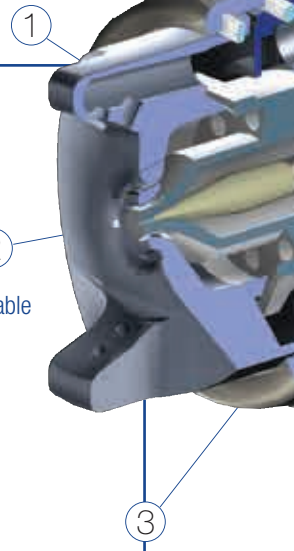
## Rugged Construction

Stainless steel or aluminum pump handles a wide variety of fluids.



# Bold Union of Performance and Comfort

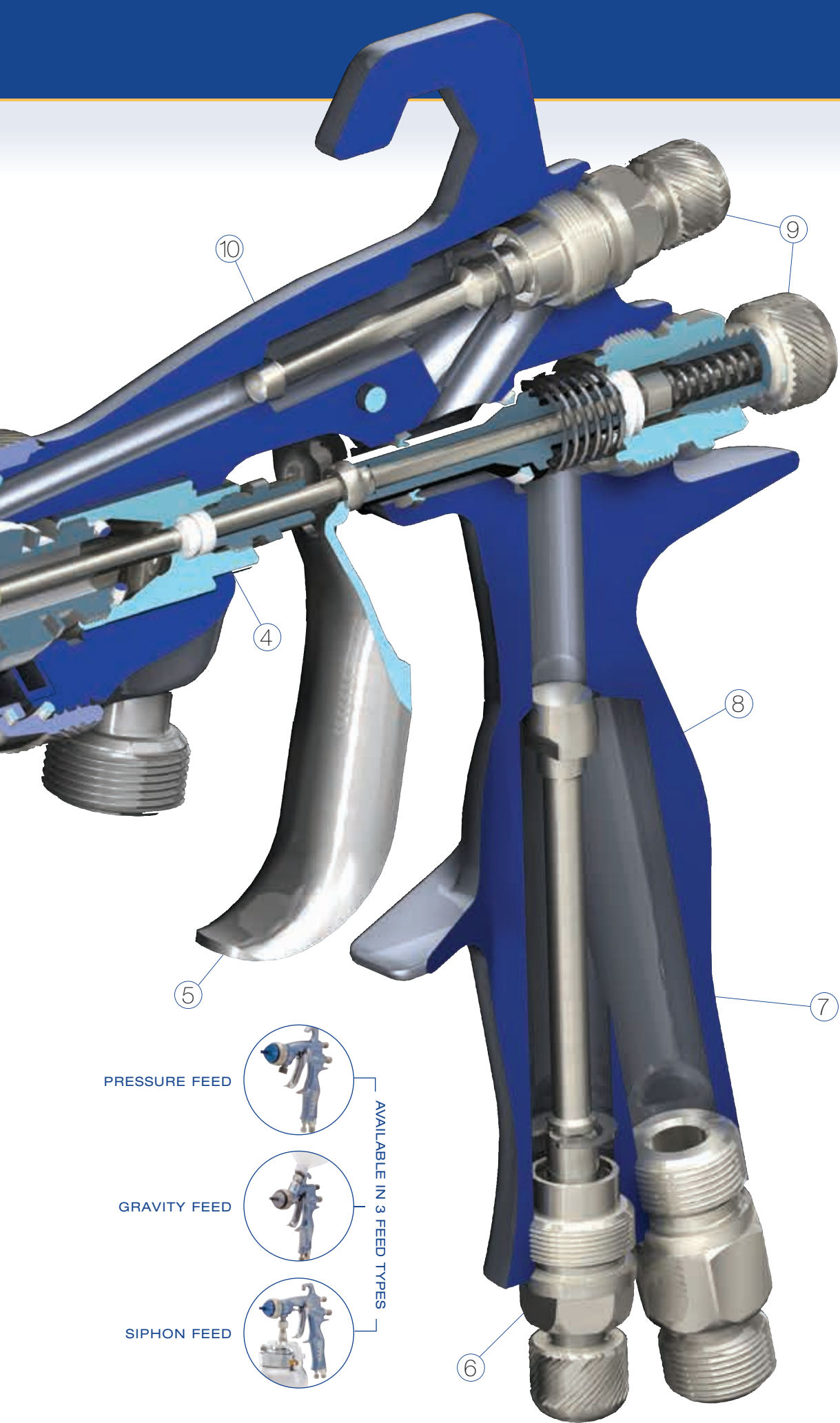
Combine spraying excellence with operator comfort and many other clever innovations, and you get the AirPro air spray gun from Graco. Ergonomically designed for superior handling, the AirPro guns have a soft, controlled and adjustable spray pattern with less overspray.



1. Aircaps in three air spray technologies to fit the needs of your environment
2. Two piece needle with replaceable tip reduces operating costs
3. Quick turn retaining ring which captures aircap upon disassembly
4. Long life needle packing for reduced downtime
5. Ultra-light trigger pull reduces operator fatigue
6. Inlet pressure adjustment (cheater) valve increases spraying flexibility
7. Air flow consumption designed to meet environmental compliance
8. Uniform air flow for reduced turbulence
9. Ergonomic knobs provide excellent operator comfort
10. One of the lightest weight (410 grams) guns in its category



# APPROPRIATE FEATURES



PRESSURE FEED



GRAVITY FEED



SIPHON FEED



AVAILABLE IN 3 FEED TYPES

# Ordering Information

## How To Order:

- ① Determine feed (pressure, gravity or siphon)
- ② If pressure feed, identify application type
- ③ Select spray type (conventional, HVLP or compliant)
- ④ Select material viscosity
- ⑤ Select average flow rate

### MATERIAL VISCOSITY

### VISCOSITY (centipoise)

|              |        |
|--------------|--------|
| Light        | 5-15   |
| Light-Medium | 15-30  |
| Medium       | 30-70  |
| Medium-Heavy | 70-100 |
| Heavy        | >100   |

## PRESSURE FEED General Metal Spray Guns



| Part Number | Spray Type   | Nozzle in. (mm) | Material Viscosity | Flow oz/min (l/min) | Aircap Kit | Needle/Nozzle Kit |
|-------------|--------------|-----------------|--------------------|---------------------|------------|-------------------|
| 288726      | Conventional | 0.020 (0.5)     | light              | 4-8 (0.12-0.24)     | 289773     | 289458            |
| 288929      | Conventional | 0.030 (0.8)     | light              | 4-12 (0.12-0.35)    | 289773     | 289459            |
| 288930      | Conventional | 0.042 (1.1)     | light-medium       | 8-20 (0.24-0.59)    | 289773     | 289460            |
| 288931      | Conventional | 0.055 (1.4)     | medium             | 16-30 (0.47-0.89)   | 289773     | 289462            |
| 288932      | Conventional | 0.070 (1.8)     | medium-heavy       | 16-35 (0.47-1.04)   | 289784     | 289464            |
| 288933      | Conventional | 0.086 (2.2)     | medium-heavy       | 16-40 (0.47-1.18)   | 289068     | 289466            |
| 288934      | Conventional | 0.110 (2.8)     | heavy              | 16-45 (0.47-1.33)   | 289069     | 289467            |
| 288935      | HVLP         | 0.020 (0.5)     | light              | 4-8 (0.12-0.24)     | 289041     | 289458            |
| 288936      | HVLP         | 0.030 (0.8)     | light              | 4-10 (0.12-0.30)    | 289041     | 289459            |
| 288937      | HVLP         | 0.042 (1.1)     | light-medium       | 6-12 (0.18-0.35)    | 289041     | 289460            |
| 288938      | HVLP         | 0.055 (1.4)     | medium             | 12-18 (0.36-0.53)   | 289041     | 289462            |
| 288939      | HVLP         | 0.070 (1.8)     | medium-heavy       | 16-20 (0.47-0.59)   | 289041     | 289464            |
| 288940      | HVLP         | 0.086 (2.2)     | medium-heavy       | 18-22 (0.53-0.65)   | 289070     | 289466            |
| 288941      | HVLP         | 0.110 (2.8)     | heavy              | 20-24 (0.59-0.71)   | 289043     | 289467            |
| 288942      | Compliant    | 0.020 (0.5)     | light              | 4-8 (0.12-0.24)     | 289042     | 289458            |
| 288943      | Compliant    | 0.030 (0.8)     | light              | 4-10 (0.12-0.30)    | 289042     | 289459            |
| 288944      | Compliant    | 0.042 (1.1)     | light-medium       | 6-12 (0.18-0.35)    | 289042     | 289460            |
| 288945      | Compliant    | 0.055 (1.4)     | medium             | 12-18 (0.36-0.53)   | 289042     | 289462            |
| 288946      | Compliant    | 0.070 (1.8)     | medium-heavy       | 16-20 (0.47-0.59)   | 289042     | 289464            |
| 288947      | Compliant    | 0.086 (2.2)     | medium-heavy       | 18-22 (0.53-0.65)   | 289044     | 289466            |
| 288948      | Compliant    | 0.110 (2.8)     | heavy              | 20-24 (0.59-0.71)   | 289045     | 289467            |

## General Metal with Stainless Steel Tip

| Part Number | Spray Type   | Nozzle in. (mm) | Material Viscosity | Flow oz/min (l/min) | Aircap Kit | Needle/Nozzle Kit |
|-------------|--------------|-----------------|--------------------|---------------------|------------|-------------------|
| 288949      | Conventional | 0.042 (1.1)     | light-medium       | 8-20 (0.24-0.59)    | 289773     | 289461            |
| 24U187*     | Conventional | 0.042 (1.1)     | light-medium       | 8-20 (0.24-0.59)    | 289040     | 289461            |
| 288950      | Conventional | 0.055 (1.4)     | medium             | 16-30 (0.47-0.89)   | 289773     | 289463            |
| 24U188*     | Conventional | 0.055 (1.4)     | medium             | 16-30 (0.47-0.89)   | 289040     | 289463            |
| 288951      | Conventional | 0.070 (1.8)     | medium-heavy       | 16-35 (0.47-1.04)   | 289784     | 289465            |
| 288952      | HVLP         | 0.042 (1.1)     | light-medium       | 8-14 (0.24-0.41)    | 289041     | 289461            |
| 288953      | HVLP         | 0.055 (1.4)     | medium             | 12-16 (0.36-0.53)   | 289041     | 289463            |
| 288954      | HVLP         | 0.070 (1.8)     | medium-heavy       | 16-20 (0.47-0.59)   | 289041     | 289465            |
| 288955      | Compliant    | 0.042 (1.1)     | light-medium       | 8-14 (0.24-0.41)    | 289042     | 289461            |
| 288956      | Compliant    | 0.055 (1.4)     | medium             | 12-18 (0.36-0.53)   | 289042     | 289463            |
| 288957      | Compliant    | 0.070 (1.8)     | medium-heavy       | 16-20 (0.47-0.59)   | 289042     | 289465            |

\*Does not include air inlet valve assembly

## Automotive Applications

| Part Number | Spray Type   | Nozzle in. (mm) | Material Viscosity | Flow oz/min (l/min) | Aircap Kit | Needle/Nozzle Kit |
|-------------|--------------|-----------------|--------------------|---------------------|------------|-------------------|
| 288929      | Conventional | 0.030 (0.8)     | light              | 4-12 (0.12-0.35)    | 289773     | 289459            |
| 288930      | Conventional | 0.042 (1.1)     | light-medium       | 8-20 (0.24-0.59)    | 289773     | 289460            |
| 24D472      | Conventional | 0.042 (1.1)     | light-medium       | 8-20 (0.24-0.59)    | 289040     | 289460            |
| 288931      | Conventional | 0.055 (1.4)     | medium             | 16-30 (0.47-0.89)   | 289773     | 289462            |
| 289034      | HVLP         | 0.040 (1.0)     | light              | 6-12 (0.18-0.35)    | 289771     | 289468            |
| 289035      | HVLP         | 0.047 (1.2)     | light-medium       | 10-14 (0.30-0.41)   | 289771     | 289469            |
| 289541      | HVLP         | 0.055 (1.4)     | medium             | 12-18 (0.36-0.53)   | 289771     | 289495            |
| 289036      | Compliant    | 0.040 (1.0)     | light              | 6-12 (0.18-0.35)    | 289772     | 289470            |
| 289037      | Compliant    | 0.047 (1.2)     | light-medium       | 10-14 (0.30-0.41)   | 289772     | 289471            |
| 289542      | Compliant    | 0.055 (1.4)     | medium             | 12-18 (0.36-0.53)   | 289772     | 289497            |



## PRESSURE FEED Wood Applications



| Part Number | Spray Type   | Nozzle in. (mm) | Material Viscosity | Flow oz/min (l/min) | Aircap Kit | Needle/ Nozzle Kit |
|-------------|--------------|-----------------|--------------------|---------------------|------------|--------------------|
| 288958      | Conventional | 0.020 (0.5)     | light              | 4-8 (0.12-0.24)     | 288862     | 289472             |
| 288959      | Conventional | 0.030 (0.8)     | light              | 4-12 (0.12-0.35)    | 288862     | 289473             |
| 289109      | Conventional | 0.040 (1.0)     | light              | 8-20 (0.24-0.59)    | 288862     | 289474             |
| 288960      | HVLP         | 0.020 (0.5)     | light              | 4-8 (0.12-0.24)     | 288864     | 289472             |
| 288961      | HVLP         | 0.030 (0.8)     | light              | 4-10 (0.12-0.30)    | 288864     | 289473             |
| 289110      | HVLP         | 0.040 (1.0)     | light              | 6-12 (0.18-0.35)    | 288864     | 289474             |
| 288962      | Compliant    | 0.020 (0.5)     | light              | 4-8 (0.12-0.24)     | 288863     | 289472             |
| 288963      | Compliant    | 0.030 (0.8)     | light              | 4-10 (0.12-0.30)    | 288863     | 289473             |
| 289111      | Compliant    | 0.040 (1.0)     | light              | 6-12 (0.18-0.35)    | 288863     | 289474             |

## High Wear Applications

| Part Number | Spray Type   | Nozzle in. (mm) | Material Viscosity | Flow oz/min (l/min) | Aircap Kit | Needle/ Nozzle Kit |
|-------------|--------------|-----------------|--------------------|---------------------|------------|--------------------|
| 288973      | Conventional | 0.059 (1.5)     | medium             | 16-35 (0.47-0.95)   | 288861     | 289478             |
| 288974      | Conventional | 0.070 (1.8)     | medium-heavy       | 16-35 (0.47-1.04)   | 289049     | 289479             |
| 288975      | Conventional | 0.086 (2.2)     | medium-heavy       | 16-40 (0.47-1.18)   | 289049     | 289480             |
| 289982      | Conventional | 0.110 (2.8)     | heavy              | 16-45 (0.47-1.33)   | 289049     | 289980             |
| 288976      | HVLP         | 0.059 (1.5)     | medium             | 14-18 (0.41-0.53)   | 289115     | 289481             |
| 288977      | HVLP         | 0.070 (1.8)     | medium-heavy       | 16-20 (0.47-0.59)   | 289325     | 289482             |
| 288978      | HVLP         | 0.086 (2.2)     | medium-heavy       | 18-22 (0.53-0.65)   | 289325     | 289483             |
| 289983      | HVLP         | 0.110 (2.8)     | heavy              | 20-24 (0.59-0.71)   | 289325     | 289981             |
| 288979      | Compliant    | 0.059 (1.5)     | medium             | 14-18 (0.41-0.53)   | 289050     | 289481             |
| 288980      | Compliant    | 0.070 (1.8)     | medium-heavy       | 16-20 (0.47-0.59)   | 289327     | 289482             |
| 288981      | Compliant    | 0.086 (2.2)     | medium-heavy       | 18-22 (0.53-0.65)   | 289327     | 289483             |
| 289984      | Compliant    | 0.110 (2.8)     | heavy              | 20-24 (0.59-0.71)   | 289327     | 289981             |

## Waterborne Applications

| Part Number | Spray Type   | Nozzle in. (mm) | Material Viscosity | Flow oz/min (l/min) | Aircap Kit | Needle/ Nozzle Kit |
|-------------|--------------|-----------------|--------------------|---------------------|------------|--------------------|
| 288964      | Conventional | 0.030 (0.8)     | light              | 4-12 (0.12-0.35)    | 289046     | 289475             |
| 288965      | Conventional | 0.042 (1.1)     | light-medium       | 8-20 (0.24-0.59)    | 289046     | 289476             |
| 288966      | Conventional | 0.055 (1.4)     | medium             | 16-30 (0.47-0.89)   | 289046     | 289477             |
| 288967      | HVLP         | 0.030 (0.8)     | light              | 4-10 (0.12-0.30)    | 289047     | 289475             |
| 288968      | HVLP         | 0.042 (1.1)     | light-medium       | 8-14 (0.24-0.41)    | 289047     | 289476             |
| 288969      | HVLP         | 0.055 (1.4)     | medium             | 12-18 (0.36-0.53)   | 289047     | 289477             |
| 288970      | Compliant    | 0.030 (0.8)     | light              | 4-10 (0.12-0.30)    | 289048     | 289475             |
| 288971      | Compliant    | 0.042 (1.1)     | light-medium       | 8-14 (0.24-0.41)    | 289048     | 289476             |
| 288972      | Compliant    | 0.055 (1.4)     | medium             | 12-18 (0.36-0.53)   | 289048     | 289477             |

## Adhesive Applications

| Part Number | Spray Type   | Nozzle in. (mm) | Material Viscosity | Flow oz/min (l/min) | Aircap Kit | Needle/ Nozzle Kit |
|-------------|--------------|-----------------|--------------------|---------------------|------------|--------------------|
| 288982      | Conventional | 0.051 (1.3)     | medium             | 14-25 (0.41-0.74)   | 289051     | 289484             |
| 288983      | Conventional | 0.070 (1.8)     | medium-heavy       | 16-35 (0.47-1.04)   | 289051     | 289485             |

## Spatter Applications

| Part Number | Spray Type | Nozzle in. (mm) | Material Viscosity | Flow oz/min (l/min) | Aircap Kit | Needle/ Nozzle Kit |
|-------------|------------|-----------------|--------------------|---------------------|------------|--------------------|
| 288985      | HVLP       | 0.042 (1.1)     | light-medium       | 8-14 (0.24-0.41)    | 289053     | 289460             |

## Air Brush Applications

| Part Number | Spray Type   | Nozzle in. (mm) | Material Viscosity | Flow oz/min (l/min) | Aircap Kit | Needle/ Nozzle Kit |
|-------------|--------------|-----------------|--------------------|---------------------|------------|--------------------|
| 24F202      | Conventional | 0.042 (1.1)     | light-medium       | 8-14 (0.24-0.41)    | 24D705     | 289460             |



# Ordering Information

## GRAVITY FEED Without Cup



| Part Number | Spray Type   | Nozzle in. (mm) | Material Viscosity | Flow oz/min (l/min) | Aircap Kit | Needle/Nozzle Kit |
|-------------|--------------|-----------------|--------------------|---------------------|------------|-------------------|
| 289002      | Conventional | 0.055 (1.4)     | light-medium       | 4-10 (0.12-0.30)    | 289773     | 289493            |
| 289003      | Conventional | 0.070 (1.8)     | light-medium       | 8-12 (0.24-0.36)    | 289773     | 289494            |
| 289005      | HVLP         | 0.055 (1.4)     | light-medium       | 3-5 (0.09-0.15)     | 289771     | 289495            |
| 289006      | HVLP         | 0.070 (1.8)     | light-medium       | 4-6 (0.12-0.18)     | 289771     | 289496            |
| 289008      | Compliant    | 0.055 (1.4)     | light-medium       | 3-5 (0.09-0.15)     | 289772     | 289497            |
| 289009      | Compliant    | 0.070 (1.8)     | light-medium       | 4-6 (0.12-0.18)     | 289772     | 289498            |

## With Plastic Gravity Cup

| Part Number | Spray Type   | Nozzle in. (mm) | Material Viscosity | Flow oz/min (l/min) | Aircap Kit | Needle/Nozzle Kit |
|-------------|--------------|-----------------|--------------------|---------------------|------------|-------------------|
| 289011      | Conventional | 0.055 (1.4)     | light-medium       | 4-10 (0.12-0.30)    | 289773     | 289493            |
| 289012      | Conventional | 0.070 (1.8)     | light-medium       | 8-12 (0.24-0.36)    | 289773     | 289494            |
| 289014      | HVLP         | 0.055 (1.4)     | light-medium       | 3-5 (0.09-0.15)     | 289771     | 289495            |
| 289015      | HVLP         | 0.070 (1.8)     | light-medium       | 4-6 (0.12-0.18)     | 289771     | 289496            |
| 289017      | Compliant    | 0.055 (1.4)     | light-medium       | 3-5 (0.09-0.15)     | 289772     | 289497            |
| 289018      | Compliant    | 0.070 (1.8)     | light-medium       | 4-6 (0.12-0.18)     | 289772     | 289498            |

## With 3M™ PPS™ Cup

| Part Number | Spray Type   | Nozzle in. (mm) | Material Viscosity | Flow oz/min (l/min) | Aircap Kit | Needle/Nozzle Kit |
|-------------|--------------|-----------------|--------------------|---------------------|------------|-------------------|
| 289020      | Conventional | 0.055 (1.4)     | light-medium       | 4-10 (0.12-0.30)    | 289773     | 289493            |
| 289021      | Conventional | 0.070 (1.8)     | light-medium       | 8-12 (0.24-0.36)    | 289773     | 289494            |
| 289023      | HVLP         | 0.055 (1.4)     | light-medium       | 3-5 (0.09-0.15)     | 289771     | 289495            |
| 289024      | HVLP         | 0.070 (1.8)     | light-medium       | 4-6 (0.12-0.18)     | 289771     | 289496            |
| 289026      | Compliant    | 0.055 (1.4)     | light-medium       | 3-5 (0.09-0.15)     | 289772     | 289497            |
| 289027      | Compliant    | 0.070 (1.8)     | light-medium       | 4-6 (0.12-0.18)     | 289772     | 289498            |

## SIPHON FEED Without Siphon Cup\*



| Part Number | Spray Type   | Nozzle in. (mm) | Material Viscosity | Flow oz/min (l/min) | Aircap Kit | Needle/Nozzle Kit |
|-------------|--------------|-----------------|--------------------|---------------------|------------|-------------------|
| 289991      | Conventional | 0.055 (1.4)     | light-medium       | 4-10 (0.12-0.30)    | 289769     | 289487            |
| 289992      | Conventional | 0.070 (1.8)     | light-medium       | 8-12 (0.24-0.36)    | 289769     | 289488            |
| 289993      | HVLP         | 0.055 (1.4)     | light-medium       | 3-5 (0.09-0.15)     | 289435     | 289489            |
| 289994      | HVLP         | 0.070 (1.8)     | light-medium       | 4-6 (0.12-0.18)     | 289435     | 289490            |
| 289995      | Compliant    | 0.055 (1.4)     | light-medium       | 3-5 (0.09-0.15)     | 289768     | 289491            |
| 289996      | Compliant    | 0.070 (1.8)     | light-medium       | 4-6 (0.12-0.18)     | 289768     | 289492            |

\* Purchase 3M™ PPS™ cup or aluminum cup separately

## With Metal Siphon Cup

| Part Number | Spray Type   | Nozzle in. (mm) | Material Viscosity | Flow oz/min (l/min) | Aircap Kit | Needle/Nozzle Kit |
|-------------|--------------|-----------------|--------------------|---------------------|------------|-------------------|
| 289028      | Conventional | 0.055 (1.4)     | light-medium       | 4-10 (0.12-0.30)    | 289769     | 289487            |
| 289029      | Conventional | 0.070 (1.8)     | light-medium       | 8-12 (0.24-0.36)    | 289769     | 289488            |
| 289030      | HVLP         | 0.055 (1.4)     | light-medium       | 3-5 (0.09-0.15)     | 289435     | 289489            |
| 289031      | HVLP         | 0.070 (1.8)     | light-medium       | 4-6 (0.12-0.18)     | 289435     | 289490            |
| 289032      | Compliant    | 0.055 (1.4)     | light-medium       | 3-5 (0.09-0.15)     | 289768     | 289491            |
| 289033      | Compliant    | 0.070 (1.8)     | light-medium       | 4-6 (0.12-0.18)     | 289768     | 289492            |

## NEEDLE TIP IDENTIFICATION

Select needle tips for the AirPro guns now have markings for identification. The PEEK tips have grooves at the base to indicate its size.



| 5-Pack Part Number | Needle Tip Size in (mm) | # of Grooves |
|--------------------|-------------------------|--------------|
| 289350             | 0.020 (0.5)             | 1            |
| 288183             | 0.030 (0.8)             | 2            |
| 288184             | 0.040-0.042 (1.0-1.1)   | 3            |
| 288185             | 0.051-0.055 (1.3-1.4)   | 4            |
| 288187             | 0.070 (1.8)             | 5            |
| 288984             | Siphon Conv/Compliant   | 6            |
| 289001             | Gravity and Siphon HVLP | 7            |

### Tips without Grooves

| 5-Pack Part Number | Needle Tip Size in (mm) | Material of Construction |
|--------------------|-------------------------|--------------------------|
| 289004             | 0.086 (2.2)             | PEEK                     |
| 289007             | 1.10 (2.8)              | PEEK                     |
| 24E484             | 0.030 (0.8)             | Stainless Steel          |
| 289010             | 0.042 (1.1)             | Stainless Steel          |
| 289013             | 0.055-0.070 (1.4-1.8)   | Stainless Steel          |

# Accessories & Technical Specifications

## HOSE

- 239631 4 ft (1.2 m) Air Whip Hose Assembly**  
Max. working pressure: 100 psi (0.7 MPa, 7 bar).  
ID: 5/16 in (7.9 mm) Swivel: 1/4 npsm(f), nitrile
- 239636 15 ft (4.6 m) Air Hose Assembly**  
Max. working pressure: 100 psi (0.7 MPa, 7 bar).  
ID: 5/16 in (7.9 mm) Swivel: 1/4 npsm(f), nitrile
- 239637 25 ft (7.6 m) Air Hose Assembly**  
Max. working pressure: 100 psi (0.7 MPa, 7 bar).  
ID: 5/16 in (7.9 mm) Swivel: 1/4 npsm(f), nitrile
- 239655 Air Swivel Inlet Fitting**
- 15Y955 Air Inlet Ball Swivel Fitting**
- 239622 4 ft (1.2 m) Fluid Whip Hose Assembly**  
Max. working pressure: 100 psi (0.7 MPa, 7 bar).  
ID: 3/16 in (4.8 mm). 3/8 npsm(fbe), nylon with polyurethane cover
- 239633 15 ft (4.6 m) Fluid Hose Assembly**  
Max. working pressure: 100 psi (0.7 MPa, 7 bar).  
ID: 3/16 in (4.8 mm). 3/8 npsm(fbe), nylon with polyurethane cover
- 239634 25 ft (7.6 m) Fluid Hose Assembly**  
Max. working pressure: 100 psi (0.7 MPa, 7 bar).  
ID: 3/16 in (4.8 mm). 3/8 npsm(fbe), nylon with polyurethane cover
- 280569 Metal Fluid Inlet Tube**

## AIR VALVES

- 234784 Air Control Valve Kit (Cheater Valve) with Gauge**  
Attaches to any HVLP spray gun for precise air pressure setting with a 0-160 psi gauge
- 235119 Gun Air Regulator Assembly 0-100 psi**

## SIPHON FEED GUN KITS

- 24C173 0.086 in (2.2 mm) Conventional Aircap**
- 24C175 0.086 in (2.2 mm) Conventional Needle and Nozzle Kit**

## CLEANING KITS

- 111265 4 oz Gun Lubricant (non-silicone)**
- 15C161 Ultimate Gun Cleaning Kit**  
Includes brushes and tools for maintenance



## AIR PRESSURE VERIFICATION KIT

For use in checking aircap atomizing air pressure. Not to be used for actual spraying. Note: To be HVLP compliant, the atomizing air pressure must not exceed 10 psi (70 MPa, 0.7 bar).

## ORIFICE SIZE IN INCHES (mm)

- 289563** General Metal 0.020–0.070 in (0.5–1.8 mm)
- 289564** General Metal 0.086 in (2.2 mm)
- 289565** General Metal 0.110 (2.8 mm)
- 289566** Wood
- 289567** Waterborne
- 289568** High Wear 0.059 in (1.5 mm)
- 289569** High Wear 0.070–0.086 in (1.8–2.2 mm)
- 289803** Automotive and Gravity Feed
- 289589** Siphon Feed

## GRAVITY, SIPHON AND PRESSURE CUPS

- 289770 23 oz (650 cc) Gravity Cup, Plastic**
- 289797 23 oz (650 cc) Gravity Cup, Aluminum**
- 289802 34 oz (1 l) Gravity Cup, Aluminum**
- 244130 1 qt (0.9 l) Siphon Cup, Aluminum**
- 239802 1 qt (0.9 l) SST Pressure Cup with Single Air Regulator**  
Includes a pressure relief valve and a single cup air regulator and gauge.
- 239803 1 qt (0.9 l) SST Pressure Cup with Double Air Regulator**  
Includes a pressure relief valve, a 0-100 psi (0-0.7 MPa, 0-7 bar) air regulator for gun atomization, and 0-15 psi (0-104 kPa, 0-1.0 bar) air regulator for the cup air supply.
- 239804 1 qt (0.9 l) Remote SST Pressure Cup**  
Includes air pressure regulator and gauge, 4 ft (1.2 m) length air and fluid hose with 1/4 npsm(f) swivel ends, pressure relief valve and rigid hook handle.
- 288776 2 qt (1.9 l) Remote Aluminum Pressure Cup**
- 240266 Disposable Polyethylene Cup Liners**  
1 qt (0.9 l) capacity, paint and solvent resistant. Must be used with pressure and siphon cups. 40 liners.

## 3M's PPS™ Paint Preparation System Accessories from Graco

For use with gravity and siphon feed guns

- 6 oz (150 ml) 3M™ PPS™**
- 234941 Cup and Collar** (box of 8)
- 234940 Lid and Liner** (box of 50)
- 234942 Measurement Insert** (box of 50)

- 25 oz (650 ml) 3M™ PPS™**
- 234771 Cup and Collar** (box of 8)
- 234772 Lid and Liner** (box of 50)
- 15F531 Measurement Insert** (box of 100)

- 32 oz (850 ml) 3M™ PPS™**
- 234937 Cup and Collar** (box of 4)
- 234938 Lid and Liner** (box of 25)
- 234939 Measurement Insert** (box of 100)

- 289486 Gravity Kit (25 oz)**  
One each: cup, collar, lid, liner, adapter
- 289795 3M™ PPS™ Gravity Feed Adapter**

- 234773 Siphon Kit (25 oz)**  
One each: cup, collar, lid, liner, adapter
- 289405 3M™ PPS™ Siphon Feed Adapter**

- 310693 Instruction Manual**



## Technical Specifications

|  |                                       |   |  |
|--|---------------------------------------|---|--|
| Maximum Air Inlet Pressure.....                              | 100 psi (0.7 MPa, 7 bar)              | Fluid and Air Operating Temperature Range ..... | 32°-109°F (0°-43°C)                        |
| Maximum Fluid Inlet Pressure .....                           | 300 psi (2.1 MPa, 21 bar)             | Weight.....                                     | 410 g (14.46 oz)                           |
| Maximum HVLP/Compliant Inbound Air Pressure*                 |                                       | Air Inlet .....                                 | 1/4 npsm (R1/4-19)                         |
| HVLP** .....   | 19-30 psi (0.1-0.21 MPa, 1.3-2.1 bar) | Fluid Inlet.....                                | 3/8 npsm (R3/8-19)                         |
| Compliant**.....   | 29-35 psi (0.2-0.24 MPa, 2.0-2.4 bar) | Wetted Parts .....                              | 303 SST, 17-4 PH SST, PEEK, acetal, UHMWPE |
| Air Consumption  |                                       | Instruction manual                              |  |
| Conventional General Metal @ 36 psi (0.25 MPa, 2.5 bar)..... | 12.6 cfm                              | Pressure Feed.....                              | 312414                                     |
| HVLP General Metal @ 19 psi (0.13 MPa, 1.3 bar) .....        | 14.9 cfm                              | Gravity Feed .....                              | 312579                                     |
| Compliant General Metal @ 29 psi (0.2 MPa, 2.0 bar) .....    | 11.7 cfm                              | Siphon Feed.....                                | 312578                                     |

\* Produces 10 psi (0.07 MPa, 0.7 bar) spraying pressure at aircap  
\*\* Dependent on application type





## ABOUT GRACO

### PROVEN QUALITY. LEADING TECHNOLOGY.

Founded in 1926, Graco is a world leader in fluid handling systems and components. Graco products move, measure, control, dispense and apply a wide range of fluids and viscous materials used in vehicle lubrication, commercial and industrial settings.

The company's success is based on its unwavering commitment to technical excellence, world-class manufacturing and unparalleled customer service. Working closely with qualified distributors, Graco offers systems, products and technology that set the quality standard in a wide range of fluid handling solutions. Graco provides equipment for spray finishing, protective coating, paint circulation, lubrication, and dispensing sealants and adhesives, along with power application equipment for the contractor industry. Graco's ongoing investment in fluid management and control will continue to provide innovative solutions to a diverse global market.

## GRACO LOCATIONS

### MAILING ADDRESS

P.O. Box 1441  
Minneapolis, MN 55440-1441  
Tel: 612-623-6000  
Fax: 612-623-6777

### AMERICAS

#### MINNESOTA

Worldwide Headquarters  
Graco Inc.  
88-11th Avenue N.E.  
Minneapolis, MN 55413

### EUROPE

#### BELGIUM

European Headquarters  
Graco N.V.  
Industrieterrein-Oude Bunders  
Slakweidestraat 31  
3630 Maasmechelen,  
Belgium  
Tel: 32 89 770 700  
Fax: 32 89 770 777

### ASIA PACIFIC

#### AUSTRALIA

Graco Australia Pty Ltd.  
Suite 17, 2 Enterprise Drive  
Bundoora, Victoria 3083  
Australia  
Tel: 61 3 9468 8500  
Fax: 61 3 9468 8599

#### CHINA

Graco Hong Kong Ltd.  
Shanghai Representative Office  
Building 7  
1029 Zhongshan Road South  
Huangpu District  
Shanghai 200011  
The People's Republic of China  
Tel: 86 21 649 50088  
Fax: 86 21 649 50077

### INDIA

Graco Hong Kong Ltd.  
India Liaison Office  
Room 443, Augusta Point  
Regus Business Centre 53  
Golf Course Road  
Gurgaon, Haryana  
India 122001  
Tel: 91 124 435 4208  
Fax: 91 124 435 4001

### JAPAN

Graco K.K.  
1-27-12 Hayabuchi  
Tsuzuki-ku  
Yokohama City, Japan 2240025  
Tel: 81 45 593 7300  
Fax: 81 45 593 7301

### KOREA

Graco Korea Inc.  
Shinhan Bank Building  
4th Floor #1599  
Gwanyang-Dong, Dongan-Ku,  
Anyang-si, Korea 431-060  
Tel: 82 31 476 9400  
Fax: 82 31 476 9801

## SALES/ DISTRIBUTION/ SERVICE

Call today for product information or to request a demonstration.

**877-84GRACO (1-877-844-7226)** or visit us at [www.graco.com](http://www.graco.com).

Graco Inc. is registered to I.S. EN ISO 9001

North America  
Customer Service  
800-328-0211  
Fax 877-340-6427