

24-Gallon (90 Liter) Oil Ace™

310864J

EN

Pressurized oil drain for collection of used lubricants. For professional use only.

Models

119577, Series A - Oil Receiver

26C061 - Waste Oil Evacuator

26C062 - Waste Oil Evacuator with Chamber

26C063 - Waste Oil Evacuator with Bowl

26C064 - Waste Oil Evacuator with Chamber and Bowl

Maximum Draining Pressure: 7 psi (50 kPa, 0.5 bar)

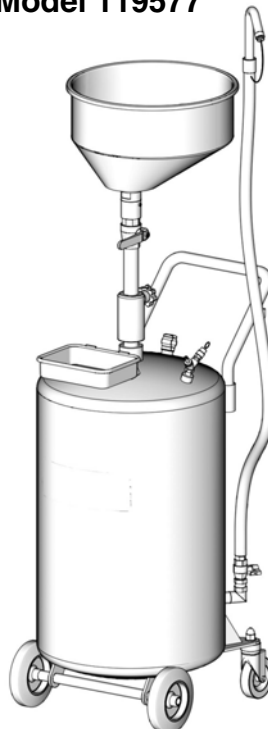
Maximum Air Inlet Pressure to Vacuum: 110 psi (760 kPa, 7.6 bar)



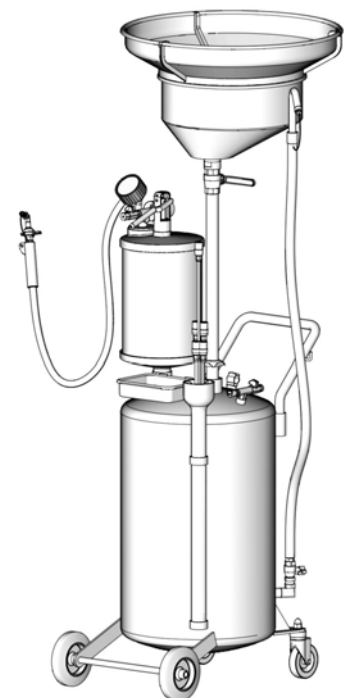
Important Safety Instructions

Read all warnings and instructions in this manual. Save these instructions.

Model 119577








Model 26C064



Warnings

The following warnings are for the setup, use, grounding, maintenance, and repair of this equipment. The exclamation point symbol alerts you to a general warning and the hazard symbols refer to procedure-specific risks. When these symbols appear in the body of this manual or on warning labels, refer back to these Warnings. Product-specific hazard symbols and warnings not covered in this section may appear throughout the body of this manual where applicable.

 <h1 style="margin: 0;">WARNING</h1>	
	<p>FIRE AND EXPLOSION HAZARD</p> <p>To help prevent fire and explosion:</p> <ul style="list-style-type: none"> • Do not extract caustic or flammable fluids. • Do not expose the reservoir to any source of heat. • While extracting high temperature oils, keep hands and face protected.
 	<p>EQUIPMENT MISUSE HAZARD</p> <p>Misuse can cause death or serious injury.</p> <ul style="list-style-type: none"> • Do not operate the unit when fatigued or under the influence of drugs or alcohol. • Use fluids and solvents that are compatible with equipment wetted parts. See Technical Specifications in all equipment manuals. Read fluid and solvent manufacturer's warnings. For complete information about your material, request Safety Data Sheets (SDSs) from distributor or retailer. • Check equipment daily. Repair or replace worn or damaged parts immediately with genuine manufacturer's replacement parts only. • Do not alter or modify equipment. Alterations or modifications may void agency approvals and create safety hazards. • Use equipment only for its intended purpose. Call your distributor for information. • Comply with all applicable safety regulations.
	<p>PERSONAL PROTECTIVE EQUIPMENT</p> <p>Wear appropriate protective equipment when in the work area to help prevent serious injury, including eye injury, hearing loss, inhalation of toxic fumes, and burns. Keep hands and face protected when draining high temperature fluids. Protective equipment includes but is not limited to:</p> <ul style="list-style-type: none"> • Protective eye wear, and hearing protection. • Respirators, protective clothing, and gloves as recommended by the fluid and solvent manufacturer.

Valve Identification

Models 26C061 and 26C063

Refer to FIG. 1 to identify the valve locations.

NOTE: In FIG. 1, all valves are shown in the closed position.

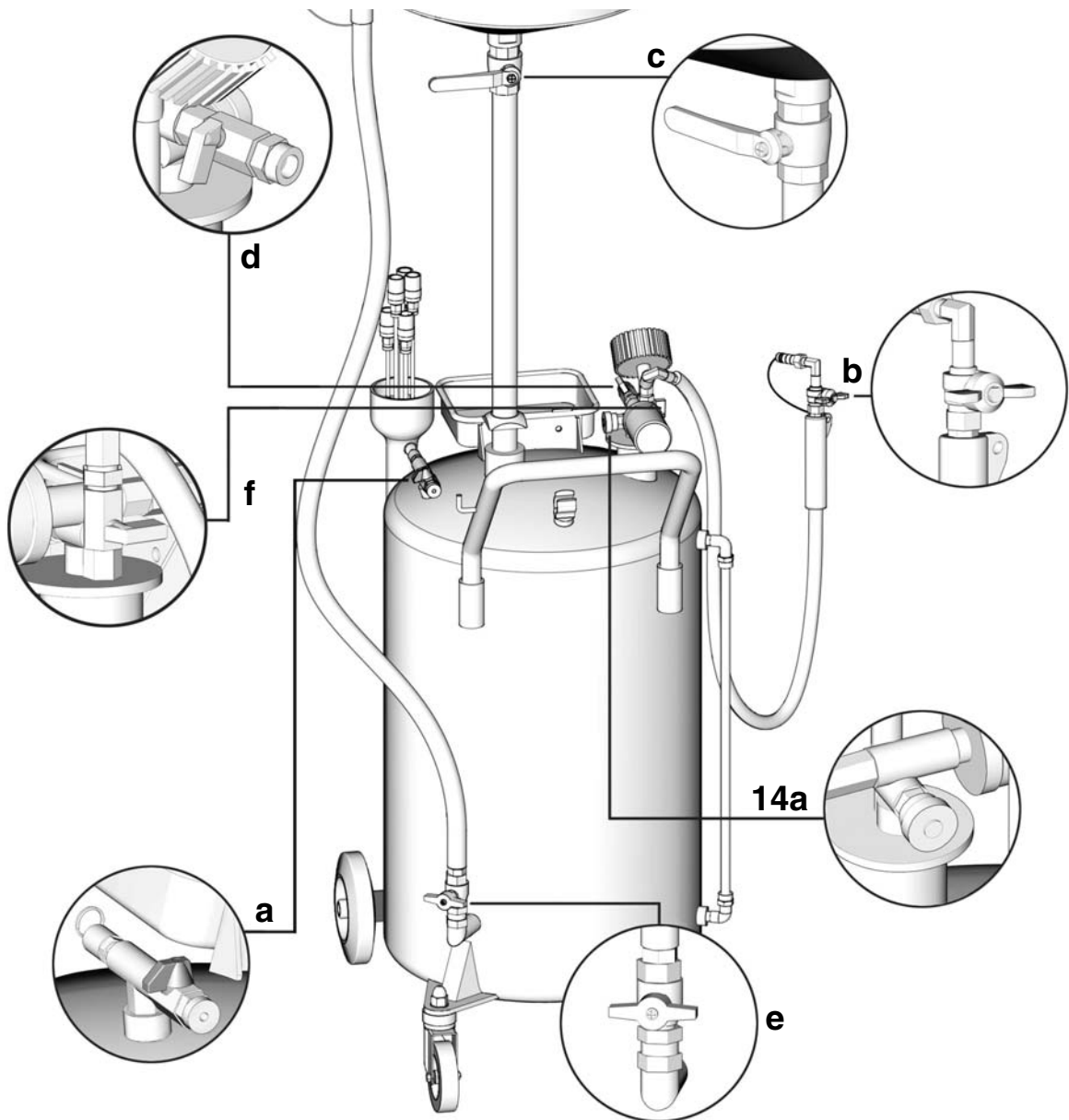


FIG. 1

Model 26C062 and 26C064

Refer to FIG. 2 to identify the valve locations.

NOTE: In FIG. 2 all valves are shown in the closed position.

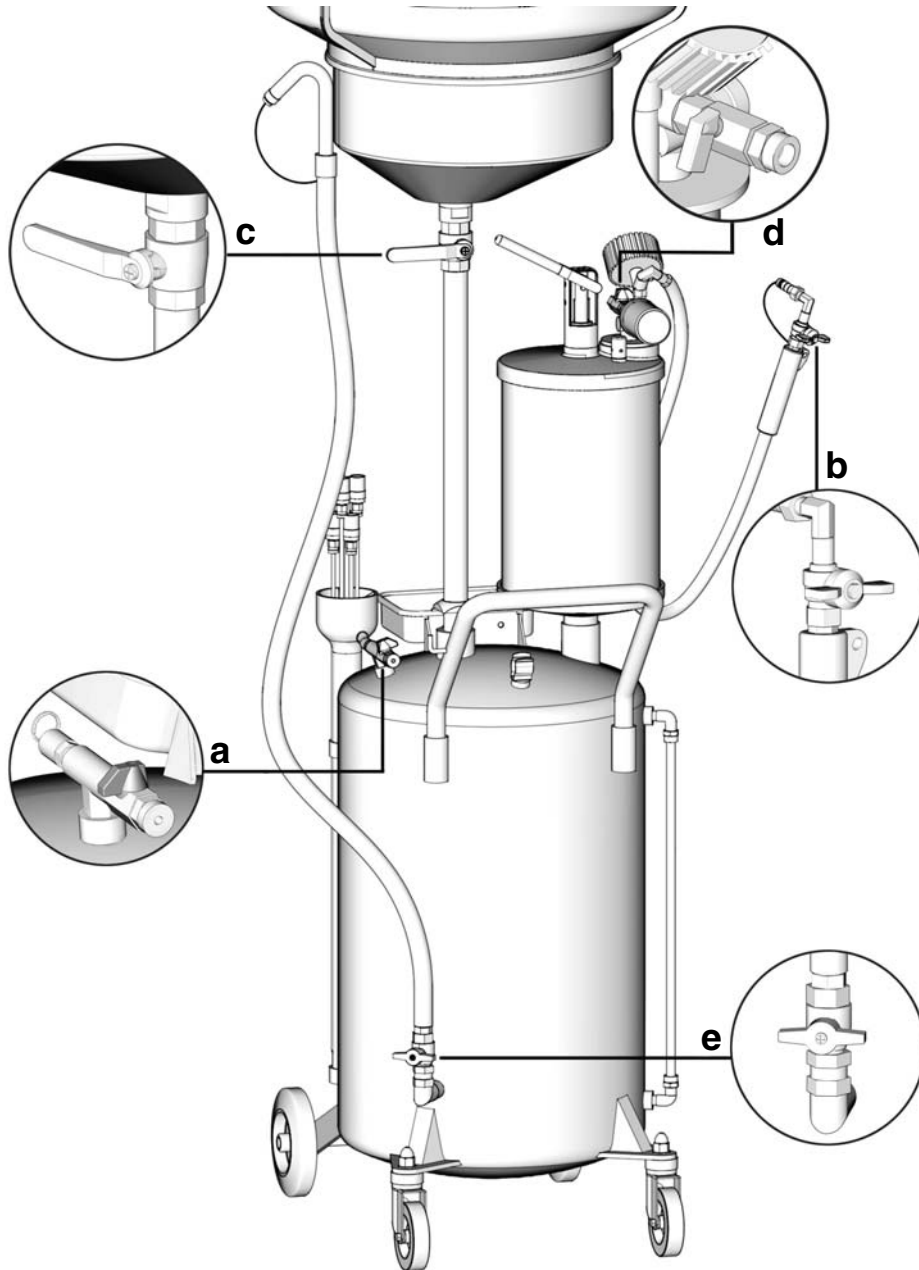


FIG. 2

Setup

Reference numbers used in the following instructions refer to Parts, page 13.

Model 119577

1. Install large wheels (2a) on axle. Install washer and hex-head bolt (2c) (FIG. 3). Tighten bolt.
2. Install rear caster threaded post (2b) (FIG. 3) through hole in wheel bracket. Install washer, lock washer, and crown nut (2d). Tighten.

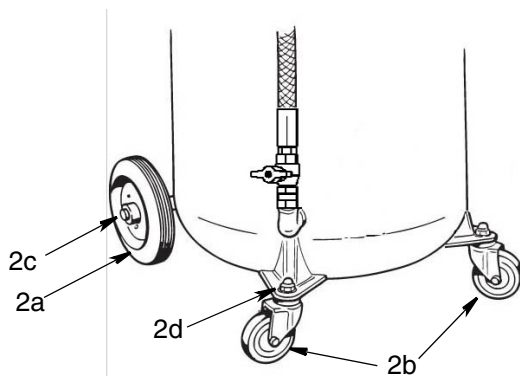


FIG. 3

3. Insert handle (10a) into brackets (10b) on back of tank and secure with screws provided (FIG. 4).
4. Place tool tray (12) on tabs of tray bracket (11) (FIG. 4). Apply pressure to seat tray.

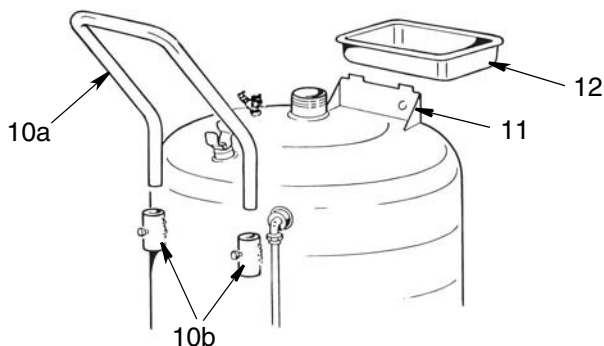


FIG. 4

5. Insert the drain tube (7a) through threaded opening on top of tank and hand-tighten collar (7b) on threads (FIG. 5).
6. Connect drain bowl (5a) to supporting tube (7a) and tighten screw (7c) to secure (FIG. 5).
7. Loosen knob (7d) and raise or lower drain bowl to desired height. Hand-tighten knob to secure bowl (5a) at desired height (FIG. 5).

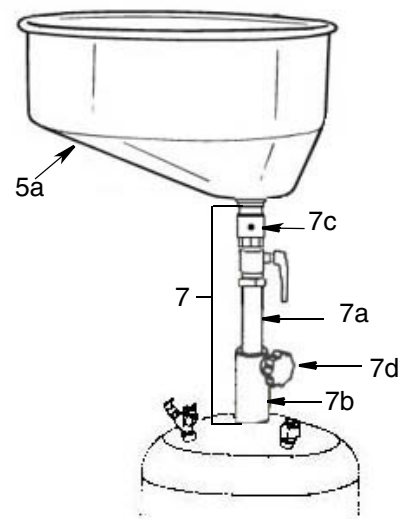


FIG. 5

8. Install the filter tray (5b) into drain bowl (5a) (FIG. 6).
9. Install the plastic funnel extension (8) over drain bowl (5a) (FIG. 6).

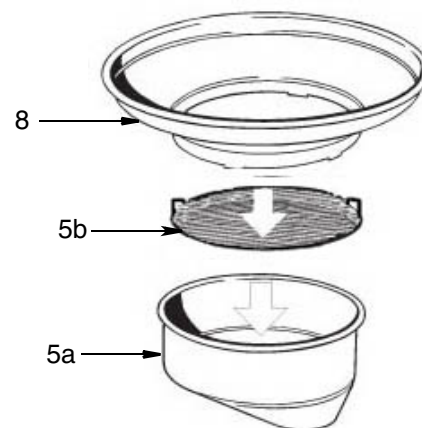


FIG. 6

Models 26C061, 26C062, 26C063, and 26C064

NOTE: For Models 26C061 and 26C063 valve locations see FIG. 1, page 3. For models 26C062 and 26C064 valve locations see FIG. 2, page 4.

1. Install large wheels (2a) on axle. Install washer and hex-head bolt (2c) (FIG. 7). Tighten bolt.
2. Install rear caster threaded post (2b) (FIG. 7) through hole in wheel bracket. Install washer, lock washer, and crown nut (2d). Tighten.

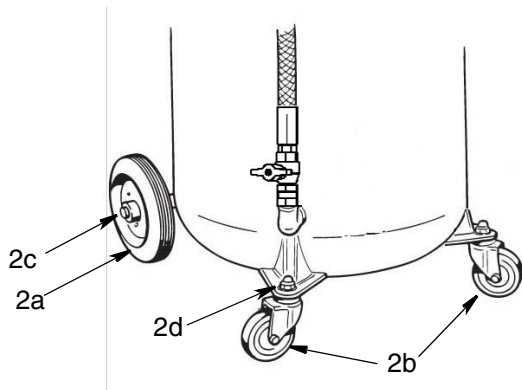


FIG. 7

3. Insert handle (10a) into brackets (10b) and secure with screws provided (FIG. 8).
4. Apply thread sealant to user supplied air inlet fitting and install it into the air inlet (3) (FIG. 8).
5. Close ball valve (a) (FIG. 8).

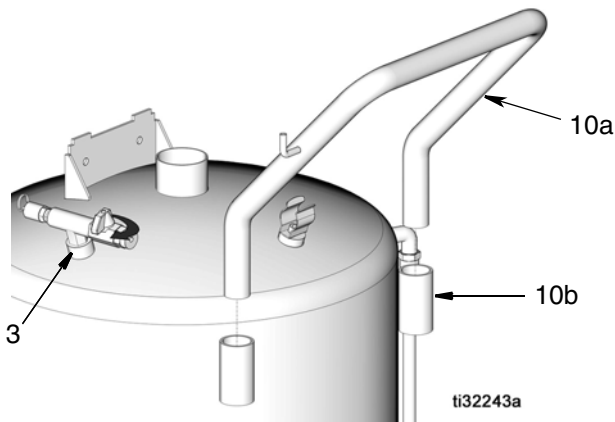


FIG. 8

Step 6 is for Models 26C062 and 26C064 ONLY

6. Install the chamber (13) to the tank adapter (13a) as shown in FIG. 9.

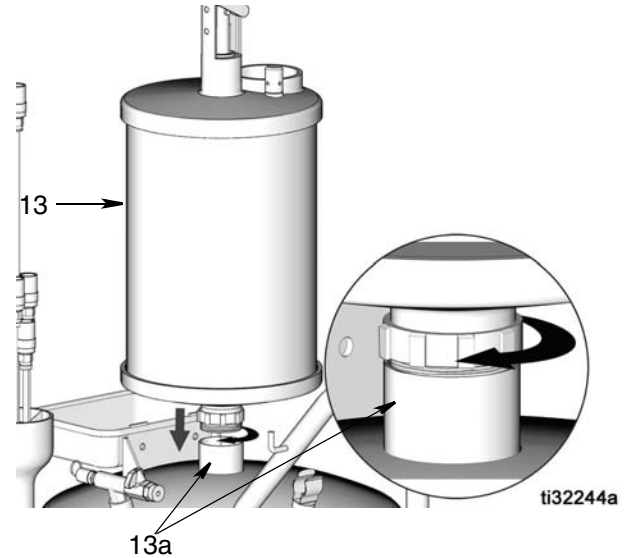


FIG. 9

7. Install vacuum gauge assembly (14) into the tank adapter (13a) (models 26C061 and 26C063) (FIG. 10) or chamber cover (13b) (models 26C062 and 26C064) as shown in (FIG. 11, page 7).

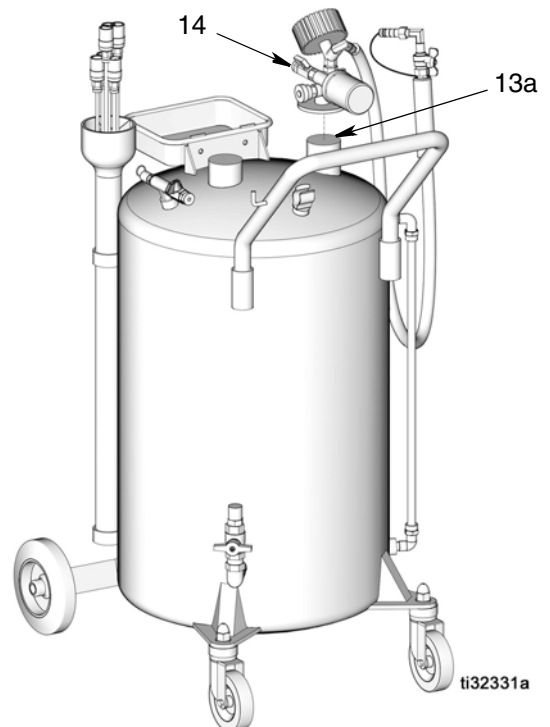


FIG. 10: Models 26C061 and 26C063

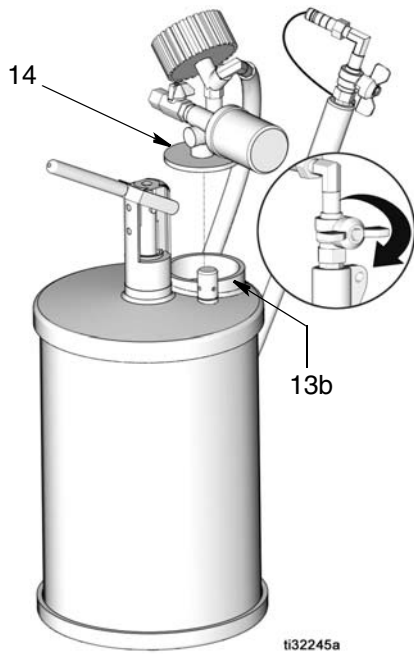


FIG. 11: Models 26C062 and 26C064

8. Close ball valve (b).

Steps 9 - 12 are for Model 26C063 and 26C064 ONLY

9. Insert the drain tube (7a) through threaded opening on top of tank and turn hand wheel (7d) in a clockwise direction to tighten (FIG. 12).

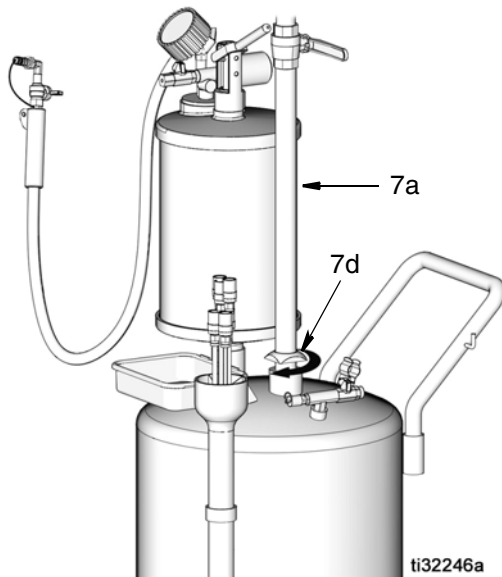


FIG. 12

10. Connect drain bowl (5a) to supporting tube (7a) and tighten screw (n) to secure (FIG. 13).

11. Install filter tray (5b) into drain bowl (5a) (FIG. 13).
12. Install the plastic funnel extension (8) over drain bowl (5a) (FIG. 13).

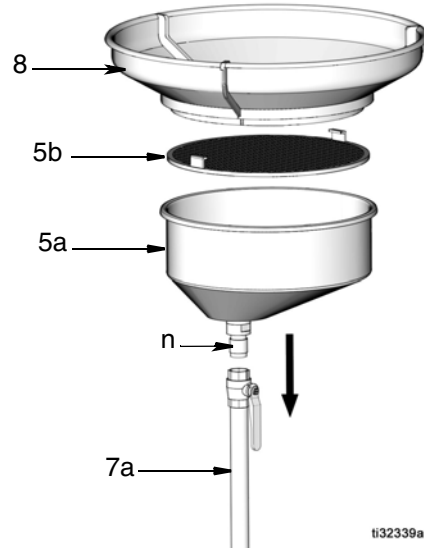


FIG. 13

Operation

Model 119577

NOTICE

To avoid spills never fill the tank beyond the maximum level indicated on the oil level gauge (4) located on the side of the tank.

1. Position the drain bowl (5a) under the car to collect the waste oil (FIG. 14).
2. Loosen knob (7d) to raise or lower the drain bowl (5a) to desired height (FIG. 14). Re-tighten knob.
3. Ensure that the ball valve (c) on the drain tube (7a) is open (red handle is facing down), when collecting used oil (FIG. 14).

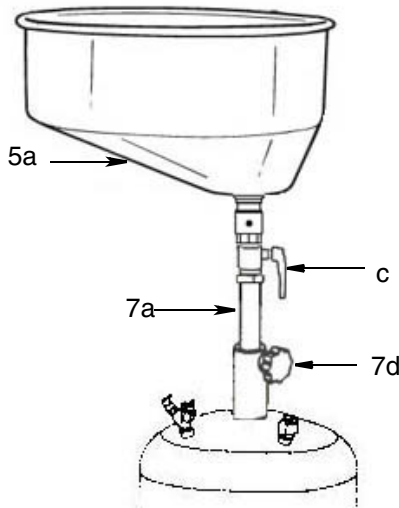


FIG. 14

4. Monitor the oil level regularly to ensure you do not overfill the tank. When the tank is full or nearly full, as indicated on oil level gauge (4) (FIG. 15), empty the tank. (See Empty the Tank, page 10.)

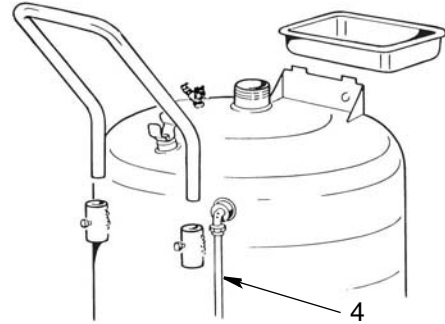


FIG. 15

Sucking Procedure

Models 26C061 and 26C063

NOTICE

To avoid damage to the vacuum pump, do not exceed the maximum air input pressure of the vacuum pump (110 psi, [760 kPa, 7.6 bar])

NOTE: For valve locations see FIG. 1, page 3.

1. **For model 26C061:** Close all valves (a, b, c, d, and e). **For model 26C063:** Close valves, (a, b, d, and e).
2. Turn the hand wheel (14a) counterclockwise.
3. Open valve (f).
4. Connect air supply to air inlet fitting (14c). Open valve (d). Supply air until the vacuum gauge (14b)

needle reaches the green area on the gauge as shown in FIG. 16.

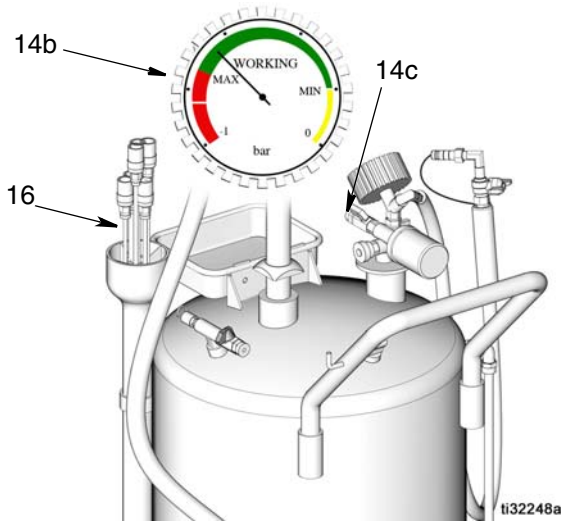


FIG. 16

5. Connect the probe (16) to suction attachment. Put probe into the car engine. Open the ball valve (b) to begin sucking out oil.

Models 26C062 and 26C064

Handle (15) Operation Positions

NOTE: For valve locations see FIG. 2, page 4.

FIG. 17 shows the handle position settings.

- A Close the chamber.
- B Open the air passage between the chamber and the tank to balance the air pressure.
- C Empty the chamber.

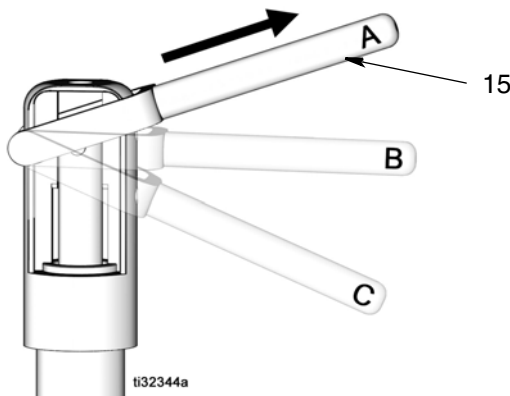


FIG. 17

NOTICE
<p>To avoid damage to the sight chamber:</p> <ul style="list-style-type: none"> • Do not evacuate fluids having a temperature that exceeds the unit's maximum fluid temperature rating of 194° F (90°C). • Do not use with grain alcohol, gasoline, engine cleaning agents, antifreeze, or brake fluid. <p>To avoid damage to the vacuum pump, do not exceed the maximum air input pressure of the vacuum pump, 110 psi (760 kPa, 7.6 bar).</p>

1. Close all valves, (a, b, d, and e) for Model 26C062 and (a, b, c, d, and e) for Model 26C064.
2. Adjust handle (15) to position A to close the chamber.
3. Connect air supply to air inlet fitting (14c). Supply air until the vacuum gauge (14b) needle reaches the green area on the gauge as shown in FIG. 18.

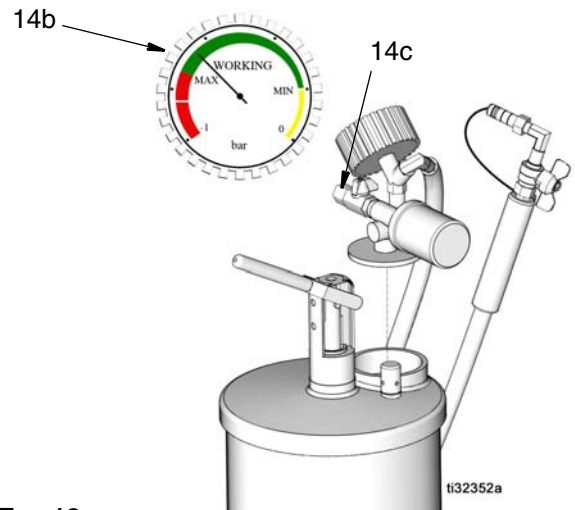


FIG. 18

4. Connect the probe (16) to suction attachment. Put probe into the car engine. Open the ball valve (b) to begin sucking out oil.
5. After oil is collected in the chamber, open the valve (a).
6. Move handle (15) to the B level to relieve the pressure (FIG. 17).
7. After pressure is relieved, move handle (15) to C level (FIG. 17). The waste oil will flow into the tank.

Collecting Procedure Models 26C063 and 26C064

NOTE: For valve locations see FIG. 1, page 3 for model 26C063 or FIG. 2, page 4.

NOTICE

To avoid spills never fill the tank beyond the maximum level indicated on the oil level gauge (4) located on the side of the tank.

1. Close all valves, (a, b, c, d, and e) (Model 26C063, see FIG. 1, page 3; Model 26C064 see FIG. 2, page 4).
2. Open valves (a and c) (Model 26C063, see FIG. 1, page 3; Model 26C064 see FIG. 2, page 4).
3. Position the drain bowl (5a) under the car to collect the waste oil (FIG. 19).

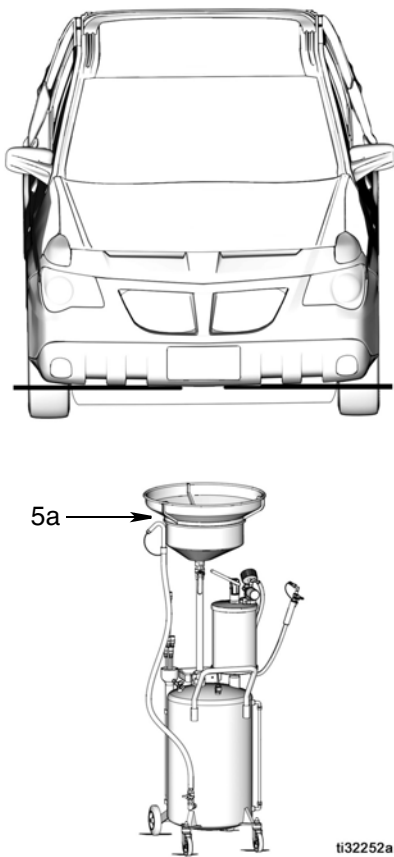


FIG. 19

Emptying the Tank Models 26C061, 26C062, 26C063, 26C064

NOTICE

To avoid damage and prevent spills, do not exceed the maximum draining pressure 7 psi, (50 kPa, 0.5 bar).

NOTE: To ensure pressurization, adjust the drain tube (7a) to the fully extended position, before emptying the tank. If you attempt to empty the tank before fully extending the drain tube, the tank will not pressurize and therefore, will not empty.

Models 26C062 and 26C064

NOTE: For valve locations see FIG. 2, page 4.

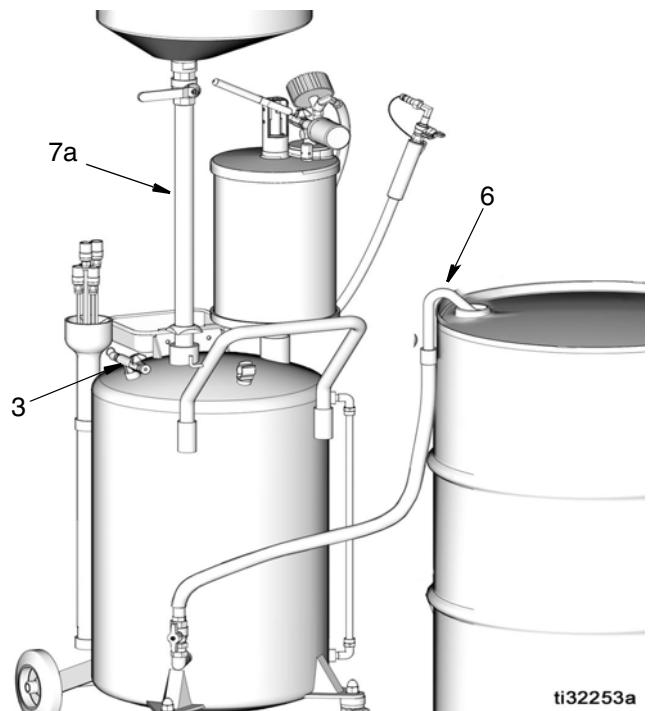


FIG. 20

1. Close ball valve (c) on the drain tube.
2. Remove plug cap from the end of discharge hose (6) and place end of hose in a suitable used-oil container.
3. Open ball valve (e) at the discharge hose connection.

4. Connect 7 psi, (48.26 kPa, 0.48 bar) compressed air to air inlet (3). Open valve (a).
5. When the tank is empty, remove end of hose from used-oil container and replace plug cap over hose end.
6. Close ball valve (e) and then open ball valve (c).
7. The tank is ready for continued use.
5. Connect 7 psi, (48.26 kPa, 0.48 bar) compressed air to air inlet (3). Open valve (a).
6. When the tank is empty, remove end of hose from used-oil container and replace plug cap over hose end.
7. Close ball valve (e) and then open ball valve (c).
8. The tank is ready for continued use.

Models 26C061 and 26C063

NOTE: For valve locations see FIG. 1, page 3.

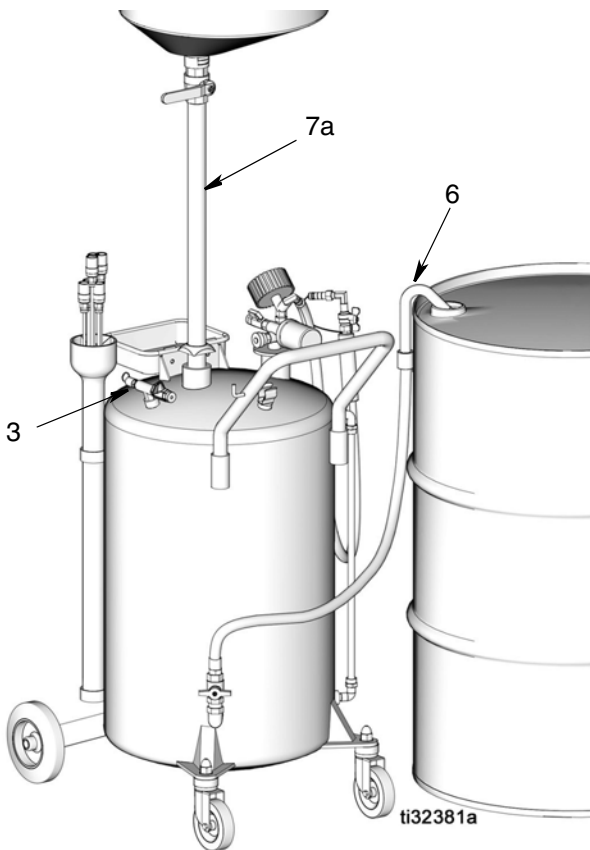


FIG. 21

1. Close ball valve (c) on the drain tube.
2. Turn hand wheel (14a) clockwise and close valve (f).
3. Remove plug cap from the end of discharge hose (6) and place end of hose in a suitable used-oil container.
4. Open ball valve (e) at the discharge hose connection.

Troubleshooting



Problem	Cause	Solution
After turning on the air source, the vacuum gauge needle does not move	Damaged or jammed vacuum gauge	Replace the vacuum gauge
The needle on the air gauge does not reach the green area	Air supply pressure is too low	Increase the air supply pressure
	Not enough air flow	Enlarge the diameter of the air inlet or shorten the hose length.
The needle on the air gauge reaches the green area but oil cannot be suctioned	Temperature of the oil is too low	Increase the oil temperature by starting the car engine.
	The suction hose valve is dirty or blocked	Clean the valve.
	The suction hose and/or suction hose fitting is dirty or blocked	Clean or change the suction hose and/or suction hose fitting.
Cannot suction oil	The suction fitting o-ring is damaged	Replace the o-ring.
	The end of the suction hose is higher than the oil level	Be sure the end of the suction hose is lower than the oil level in the tank.

Parts Models 26C061 and 26C063

Ref. No.	Part No.	Description	Qty.
1	26C071	O-ring repair kit Includes all o-rings for model 26C061	1
	26C166	O-ring repair kit Includes all o-rings for model 26C063	1
2	127987	Caster and wheel repair kit (Includes 2a - 2d)	1
2a		Wheels, 6 inch	2
2b		Casters, 3 inch	2
2c		screws and washers (used with 2a)	2 ea
2d		lock washers, washers, crown nuts (used with 2b)	2 ea
3		Air valve kit Includes "Y" fitting, safety valve, tank valve.	1
4		Gauge tube with incrementally marked label, elbows (2), tube fittings (2)	1
5	26C068	Funnel kit Includes drain bowl, filter tray (model 26C063 only)	1
5a		Drain bowl	1
5b		Filter tray (not shown)	1
6	26C069	Discharge hose kit Includes tank fitting, 1/2" ball valve, discharge hose assembly.	1
7	26C076	Drain tube kit (model 26C063 only)	1
7a		Drain tube	1
7b		Drain tube collar	1
7c		Screw	1
7d		Adjustment knob	1
8	26C067	EXTENSION, funnel (model 26C063 only)	1
10		Handle assembly	1
11	26C269	Probe holder	1
12	26C070	Probes	1
14	26C413	Vacuum Assembly	1

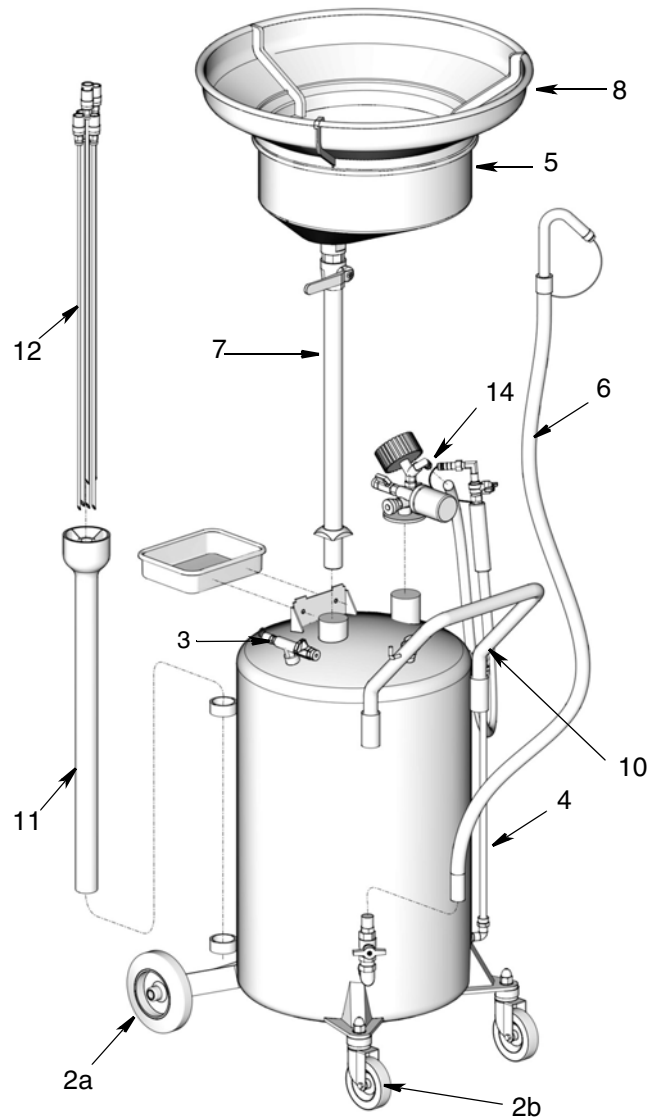


FIG. 22

Part No. 26C062 and 26C064

Ref. No.	Part No.	Description	Qty.
1	26C072	O-ring repair kit Includes all o-rings for model 26C062	1
	26C168	O-ring repair kit Includes all o-rings for model 26C064	1
2	127987	Caster and wheel repair kit (Includes 2a - 2d)	1
2a		Wheels, 6 inch	2
2b		Casters, 3 inch	2
2c		screws and washers (used with 2a)	2 ea
2d		lock washers, washers, crown nuts (used with 2b)	2 ea
3		Air valve kit Includes "Y" fitting, safety valve, tank valve.	1
4		Gauge tube with incrementally marked label, elbows (2), tube fittings (2)	1
5	26C068	Funnel kit Includes drain bowl, filter tray (model 26C064 only)	1
5a		Drain bowl	1
5b		Filter tray (not shown)	1
6	26C069	Discharge hose kit Includes tank fitting, 1/2" ball valve, discharge hose assembly.	1
7	26C076	Drain tube kit (model 26C064 only)	1
7a		Drain tube	1
7b		Drain tube collar	1
7c		Screw	1
7d		Adjustment knob	1
8	26C067	EXTENSION, funnel (model 26C064 only)	1
10		Handle assembly	1
11	26C269	Probe holder	1
12	26C070	Probes	1
13		Chamber	1
14	26C412	Vacuum Assembly	1

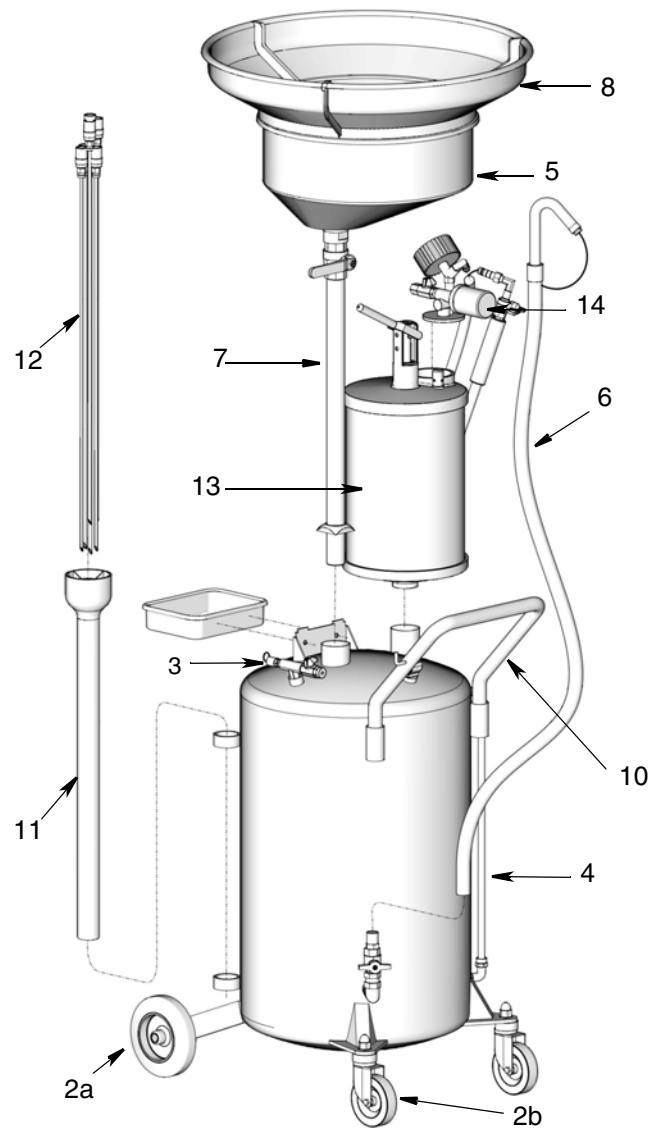


FIG. 23

Kits

Probes for Vacuum Assembly: 26C070

6 replacement probes are included in the kit. Specifications for the probes are shown in the table below.

Probe Type	Inner Diameter		Outer Diameter		Length		Tube Material
	Inch	mm	Inch	mm	Inch	mm	
Flexible	0.12	3.0	0.20	5.0	28	700	Plastic
Flexible	0.16	4.0	0.24	6.0	28	700	Plastic
Rigid	0.16	4.0	0.20	5.0	28	700	Brass
Flexible	0.20	5.0	0.28	7.0	39	1000	Plastic
Rigid	0.20	5.0	0.24	6.0	28	700	Brass
Flexible	0.24	6.0	0.32	8.0	28	700	Plastic

Sight Chamber with Vacuum Assembly: 26C260

Repair kit includes both the sight chamber (13) and vacuum assembly (14).

Sight Chamber Mounted Vacuum Assembly: 26C412

Repair kit includes the vacuum assembly (with gauge), suction hose and suction probe adapter. Used for models 26C062 and 26C064.

Tank Mounted Vacuum Assembly: 26C413

Repair kit includes the vacuum assembly (with gauge), suction hose and suction probe adapter. Used for models 26C061 and 26C063.

Technical Specifications

24 Gallon (90 Liter) Oil Ace		
	US	Metric
Maximum draining pressure	7 <i>psi</i>	50 kPa, 0.5 bar
Air pressure for vacuum		
Model: 119577	NA	
Models: 26C061, 26C062, 26C063, 26C064	110 psi	7.6 bar
Length	24 inches	61 cm
Width	16 inches	40.6 cm
Height with drain bowl at lowest adjustment		
Model: 119577	56.5 inches	143.5 cm
Model: 26C061	NA	
Model: 26C062	NA	
Model: 26C063	53.1 inches	135 cm
Model: 26C064	59.0 inches	150 cm
Height with drain bowl at highest adjustment		
Model: 119577	80 inches	203 cm
Model: 26C061	NA	
Model: 26C062	NA	
Model: 26C063	70.80 inches	180 cm
Model: 26C064	70.80 inches	180 cm
Funnel diameter		
Model: 119577	24 inches	61 cm
Model: 26C061	NA	
Model: 26C062	NA	
Model: 26C063	24.0 inches	61 cm
Model: 26C064	24.0 inches	61 cm
Tank Capacity	24 gallons	90 Liters
Weight		
Model: 119577	55.3 lbs	25.1 kg
Model: 26C061	50.7 lbs	23.0 kg
Model: 26C062	60.8 lbs	27.6 kg
Model: 26C063	63.0 lbs	28.6 kg
Model: 26C064	73.2 lbs	33.2 kg
Wetted parts	steel, copper, PVC plastic, rubber, aluminum	
Recommended operating temperature		
Model: 119577	30° to 105° F	-1° to 41° C
Models: 26C061, 26C062, 26C063, 26C064	30° to 194° F	-1° to 90° C

Graco 5-Year Fluid Reclaim Warranty

Graco warrants all equipment referenced in this document which is manufactured by Graco and bearing its name to be free from defects in material and workmanship on the date of sale to the original purchaser for use. With the exception of any special, extended, or limited warranty published by Graco, Graco will, for a period from the date of sale as defined in the table below from the date of sale, repair or replace equipment covered by this warranty and determined by Graco to be defective. This warranty applies only when the equipment is installed, operated and maintained in accordance with Graco's written recommendations.

Graco 5-Year Fluid Reclaim Receiver Extended Warranty	
Component	Warranty Period
Structural Components	5 years
Wear Parts - including but not limited to o-rings, packings and seals	1 year

This warranty does not cover, and Graco shall not be liable for general wear and tear, or any malfunction, damage or wear caused by faulty installation, misapplication, abrasion, corrosion, inadequate or improper maintenance, negligence, accident, tampering, or substitution of non-Graco component parts. Nor shall Graco be liable for malfunction, damage or wear caused by the incompatibility of Graco equipment with structures, accessories, equipment or materials not supplied by Graco, or the improper design, manufacture, installation, operation or maintenance of structures, accessories, equipment or materials not supplied by Graco.

This warranty is conditioned upon the prepaid return of the equipment claimed to be defective to an authorized Graco distributor for verification of the claimed defect. If the claimed defect is verified, Graco will repair or replace free of charge any defective parts. The equipment will be returned to the original purchaser transportation prepaid. If inspection of the equipment does not disclose any defect in material or workmanship, repairs will be made at a reasonable charge, which charges may include the costs of parts, labor, and transportation.

THIS WARRANTY IS EXCLUSIVE, AND IS IN LIEU OF ANY OTHER WARRANTIES, EXPRESS OR IMPLIED, INCLUDING BUT NOT LIMITED TO WARRANTY OF MERCHANTABILITY OR WARRANTY OF FITNESS FOR A PARTICULAR PURPOSE.

Graco's sole obligation and buyer's sole remedy for any breach of warranty shall be as set forth above. The buyer agrees that no other remedy (including, but not limited to, incidental or consequential damages for lost profits, lost sales, injury to person or property, or any other incidental or consequential loss) shall be available. Any action for breach of warranty must be brought within one (1) year past the warranty period or two (2) years for all other parts.

GRACO MAKES NO WARRANTY, AND DISCLAIMS ALL IMPLIED WARRANTIES OF MERCHANTABILITY AND FITNESS FOR A PARTICULAR PURPOSE, IN CONNECTION WITH ACCESSORIES, EQUIPMENT, MATERIALS OR COMPONENTS SOLD BUT NOT MANUFACTURED BY GRACO. These items sold, but not manufactured by Graco (such as electric motors, switches, hose, etc.), are subject to the warranty, if any, of their manufacturer. Graco will provide purchaser with reasonable assistance in making any claim for breach of these warranties.

In no event will Graco be liable for indirect, incidental, special or consequential damages resulting from Graco supplying equipment hereunder, or the furnishing, performance, or use of any products or other goods sold hereto, whether due to a breach of contract, breach of warranty, the negligence of Graco, or otherwise.

FOR GRACO CANADA CUSTOMERS

The Parties acknowledge that they have required that the present document, as well as all documents, notices and legal proceedings entered into, given or instituted pursuant hereto or relating directly or indirectly hereto, be drawn up in English. Les parties reconnaissent avoir convenu que la rédaction du présent document sera en Anglais, ainsi que tous documents, avis et procédures judiciaires exécutés, donnés ou intentés, à la suite de ou en rapport, directement ou indirectement, avec les procédures concernées.

Graco Information

For the latest information about Graco products, visit www.graco.com.

For patent information, see www.graco.com/patents.

TO PLACE AN ORDER, contact your Graco distributor or call to identify the nearest distributor.

Phone: 612-623-6928 or Toll Free: 1-800-533-9655, Fax: 612-378-3590

All written and visual data contained in this document reflects the latest product information available at the time of publication. Graco reserves the right to make changes at any time without notice.

Original instructions. This manual contains English. MM310864

Graco Headquarters: Minneapolis

International Offices: Belgium, China, Japan, Korea

GRACO INC. AND SUBSIDIARIES • P.O. BOX 1441 • MINNEAPOLIS MN 55440-1441 • USA
Copyright 2005, Graco Inc. All Graco manufacturing locations are registered to ISO 9001.

www.graco.com
November 2018