

G3 Output Union Kit

3A0523G

EN

Used to join two or three pump outlets together. For professional use only.

Part No.:

571026, 24P295 - 3 pump outlets

571063, 24P296 - 2 pump outlets



Important Safety Instructions

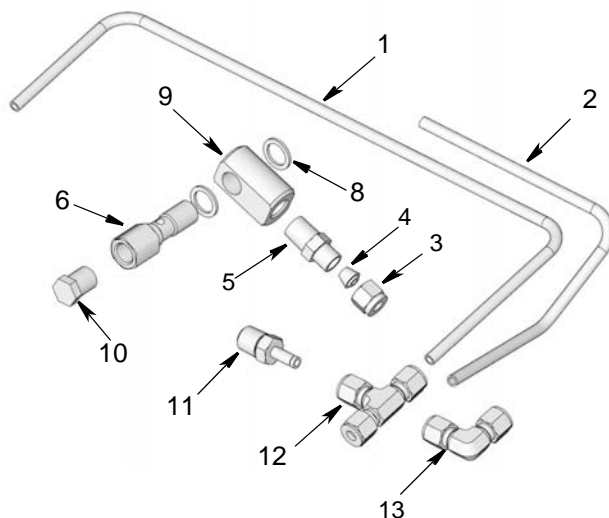
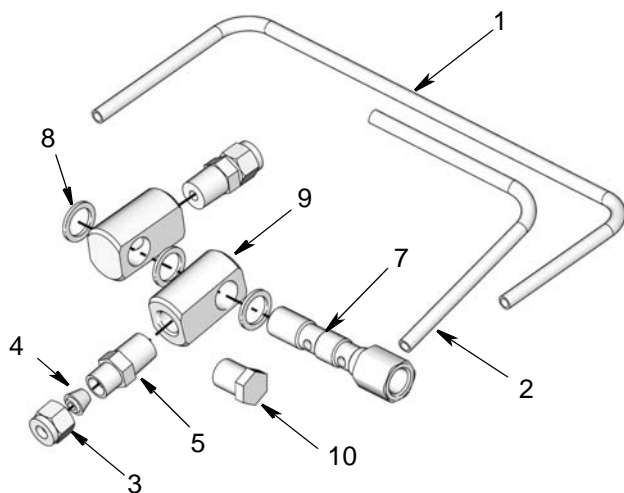
Read all warnings and instructions in this manual and the G3 Pump Instruction manual included with your unit. Save these instructions.

Kit Parts: 571026 and 571063 (without vent valve)




Ref.	Description	571026 571063	
		Qty	Qty
1	TUBE, junction, rear	1	1
2	TUBE, junction, front	1	0
3	NUT, tube, 1/4 npt	4	2
4	FERRULE, tube, 1/4	4	2
5	FITTING, tube	4	2
6	BOLT, banjo (not shown)	2	2
7	BOLT, dual banjo bolt	1	0
8	WASHER, seal	7	4
9	FITTING, banjo, x 1/4 npt	4	2
10	PLUG, 1/4 npt w hex hd	2	1

Kit Parts: 24P295 and 24P296 (with vent valve); 24Z149 (left vent)

Ref.	Description	24P295	24P296	24Z149
		Qty	Qty	Qty
1	TUBE, junction, rear	1	1	1
2	TUBE, junction, front	1	0	0
3	NUT, tube, 1/4 npt	2	1	1
4	FERRULE, tube, 1/4	2	1	1
5	FITTING, tube	2	1	1
6	FITTING, 1/4 npsm bolt x 1/4 npt	2	1	1
8	WASHER, seal	4	2	2
9	FITTING, banjo, x 1/4 npt	2	1	1
10	PLUG, 1/4 npt w hex hd	2	1	1
11	ADAPTER, 0.25 in. tube	1	1	1
12	FITTING, tee, 0.25 in. tube	1	0	0
13	ELBOW	0	1	1



Pressure Relief

					
SKIN INJECTION HAZARD					
High-pressure fluid from dispense device, hose leaks, or ruptured components will pierce skin. This may look like just a cut, but it is a serious injury that can result in amputation. Get immediate surgical treatment.					
Follow Pressure Relief Procedure in this manual, when you stop dispensing and before cleaning, checking, or servicing equipment.					

Relieve pressure in system by using two wrenches working in opposite directions on pump element and pump element fitting to **only** loosen fitting.

NOTE: When loosening pump element fitting, do NOT loosen **pump element**. Loosening pump element will change the output volume.

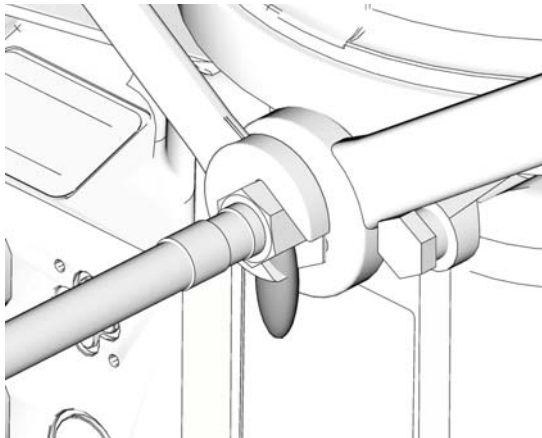


FIG. 1

Instructions

Kit 571063 - 2 pump outlets

Reference numbers used in these instructions correspond to parts list provided on page 1.

1. Disconnect power to G3.
2. If unit has been in service, relieve pressure, page 2.
3. Loosely assemble tube nut (3), tube ferrule (4) and tube fitting (5) (FIG. 2).

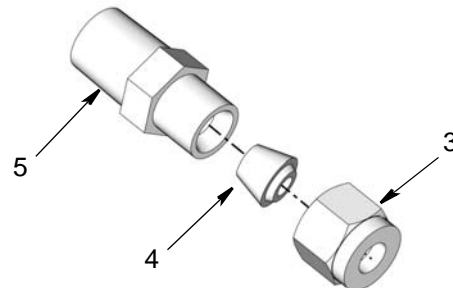


FIG. 2

4. Apply thread sealant to threads of tube fittings (a).
5. Connect one tube fitting assembly (3/4/5) to each banjo fitting (9). Wrench tighten (FIG. 3).

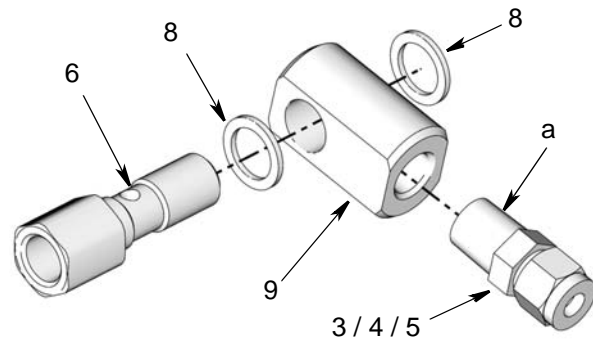


FIG. 3

6. Place one washer (8) over the end of each banjo bolt (6) (FIG. 3).
7. Install banjo bolts (6) into banjo fittings (9). Then install second washer (FIG. 3).
8. Install one banjo bolt assembly into the pump element located on the right side of the G3 pump (c) and install the other one in the pump element on the left side of the G3 pump (b) (when viewed from the

front) (FIG. 4).

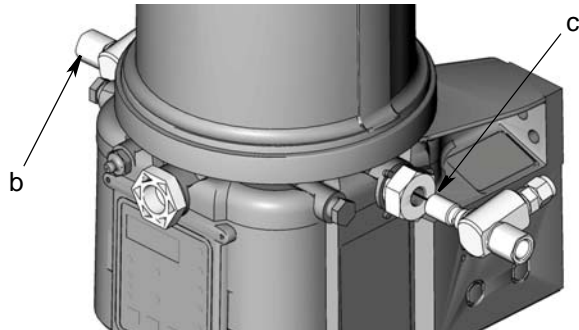


FIG. 4

9. Leave banjo bolts loose enough for banjo fitting to swivel.
10. Install tube (1) between the two banjo fittings. It may be necessary to loosen the banjo fitting to install this tube (FIG. 5).

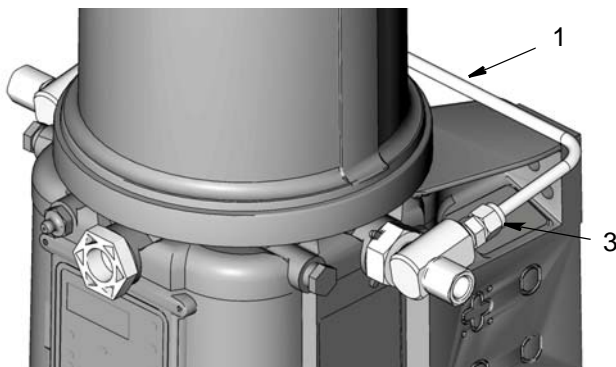


FIG. 5

11. Hand tighten tube nuts (3), securely. Then tighten another 1-1/4 turns (FIG. 5).
12. Tighten banjo bolts (6) to 35 ft. pounds (45.7 N•m) at each location.
13. Apply thread sealant to threads of plug (10). Install plug in unused outlet location (FIG. 6).

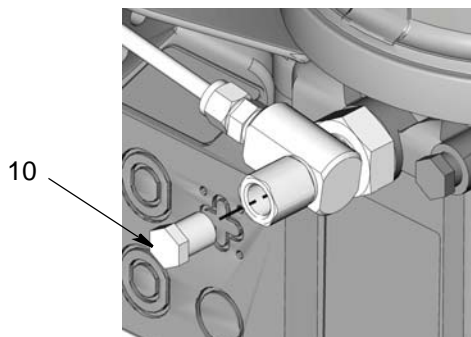


FIG. 6

Kit 24P296 (right); 24Z149 (left) - 2 pump outlets

Reference numbers used in these instructions correspond to parts list provided on page 1.

1. Disconnect power to G3.
2. If unit has been in service, relieve pressure, page 2.
3. Continue assembly instructions for Kit 571063, Steps 3 - Step 7, page 2.
4. Install banjo assembly (b) to the G3 pump element on the side that does not have a vent valve (FIG. 7).

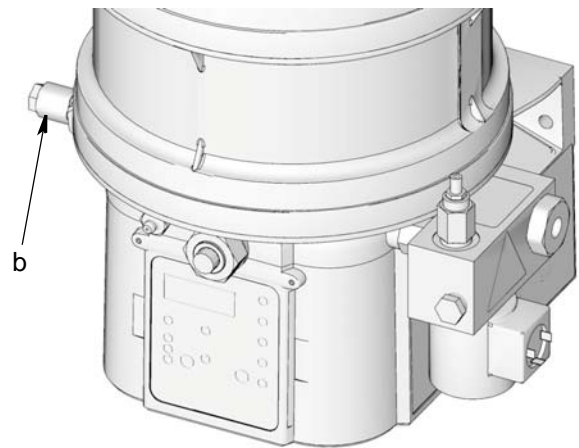


FIG. 7

5. Apply thread sealant to threads of tube end adapter and install adapter (11) into valve outlet (FIG. 8).

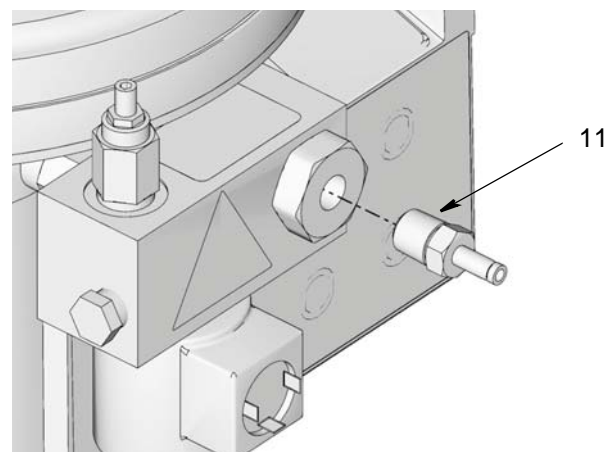


FIG. 8

- Loosen union elbow nuts (a) and connect elbow (13) to tube adapter (11) (FIG. 9).

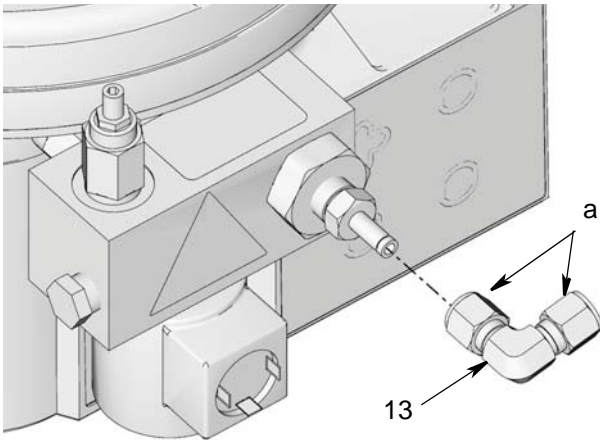


FIG. 9

- Install tube (1) between banjo fitting and union elbow (13). It may be necessary to loosen banjo fitting to install this tube.

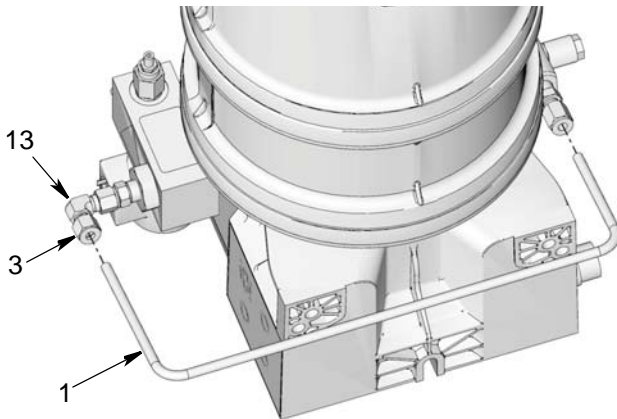


FIG. 10

- Hand tighten tube nuts (3), securely. Then tighten another 1-1/4 turns (FIG. 10).
- Tighten banjo bolt (6) to 35 ft. pounds (45.7 N•m) at each location.

- Apply thread sealant to threads of plug (10). Install plug in unused outlet location (FIG. 6).

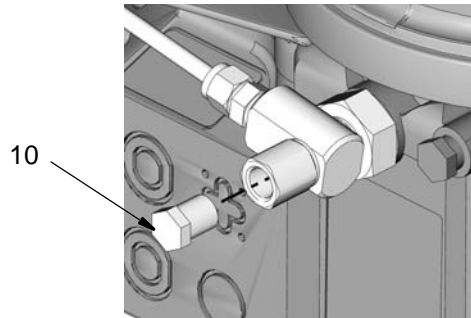


FIG. 11

Kit 571026 - 3 Pump Outlets

Reference numbers used in these instructions correspond to parts list provided on page 1.

- Disconnect power to G3.
- If unit has been in service, relieve pressure, page 2.
- Loosely assemble tube nut (3), tube ferrule (4) and tube fitting (5) (FIG. 2).
- Apply thread sealant to threads of tube fittings (a) (FIG. 3).
- Connect one tube fitting assembly (3/4/5) to each banjo fitting (9). Wrench tighten (FIG. 3).
- Place one washer (8) over the end of the dual banjo bolt (7). Then install banjo fitting (9) on bolt. Install another washer (8) followed by another banjo fitting (9) and then one more washer (8) in the orientation shown in FIG. 12.

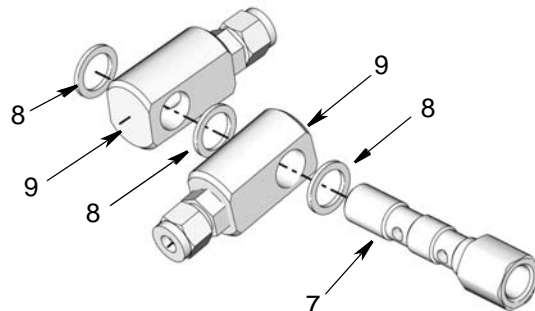


FIG. 12

- Install this assembly into the pump element (c) located on the right side (viewed from the front) on the G3. Leave bolt loose enough for banjo fitting to

swivel (FIG. 13).

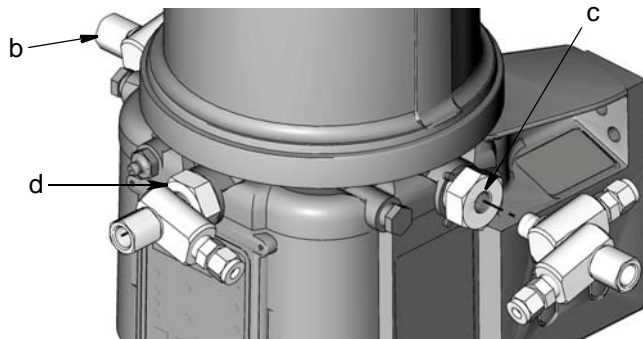


FIG. 13

8. Place one washer (8) over the end of each banjo bolt (6) (FIG. 3).
9. Install banjo bolts (6) into banjo fittings (9). Then install second washer (FIG. 3).
10. Install these two banjo assemblies in remaining open pump elements (b) and (d).
11. Install tube (1) (with 2 bends) around back side of the G3 pump between the dual banjo fitting installed on the right side of the G3 pump and the banjo fitting installed on the left side of the G3 pump (viewed from the front) as shown in FIG. 14.

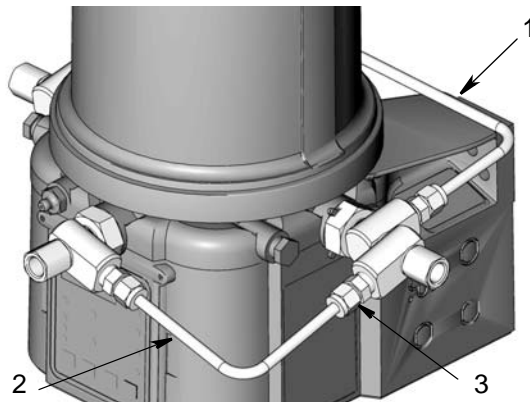


FIG. 14

12. Install tube (2) (1 bend) between dual banjo fitting installed on the right side of the G3 pump and banjo fitting installed on the front of the G3 pump (viewed from the front) as shown in FIG. 14. It may be necessary to loosen banjo fitting to install this tube.
13. Hand tighten tube nuts (3), securely. Then tighten another 1-1/4 turns (FIG. 14).

14. Tighten banjo bolts (6 and 7) to 35 ft. pounds (45.7 N•m) at each location.
15. Apply thread sealant to threads of plug (10). Install plugs in unused outlet locations (FIG. 6).

Kit 24P295 - 3 pump outlets

Reference numbers used in these instructions correspond to parts list provided on page 1.

1. Disconnect power to G3.
2. If unit has been in service, relieve pressure, page 2.
3. Continue assembly instructions for Kit 571026, Steps 3 - Step 5, page 4.
4. Install the two banjo assemblies (b and d) as shown in FIG. 15

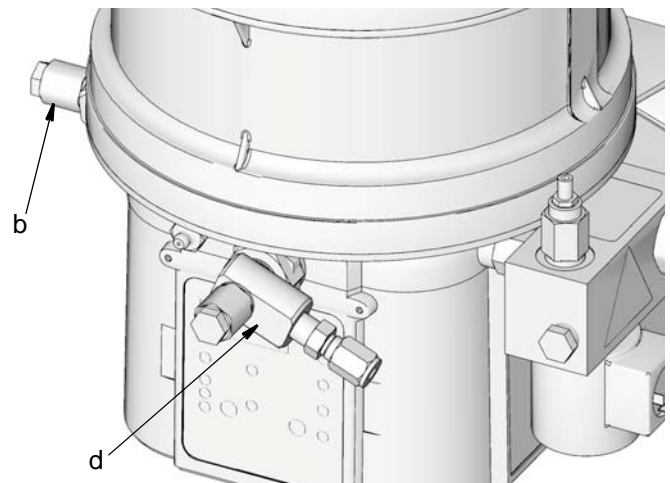


FIG. 15

5. Apply thread sealant to threads of tube end adapter and install adapter (11) into valve outlet (FIG. 8).

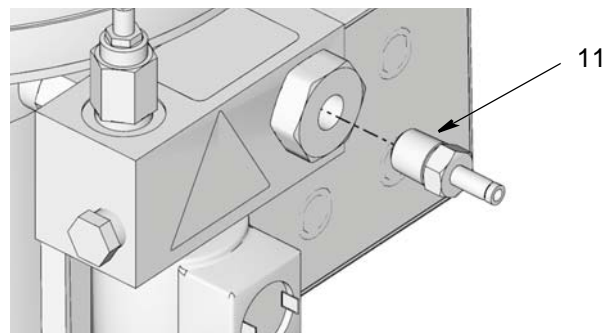


FIG. 16

6. Loosen nuts (e) and connect tube (2) to the union tee (12).

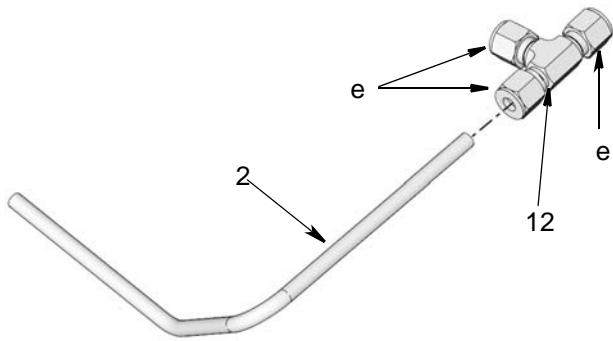


FIG. 17

7. Connect tube (2) to banjo fitting (d) and tee (12) to adapter (11).

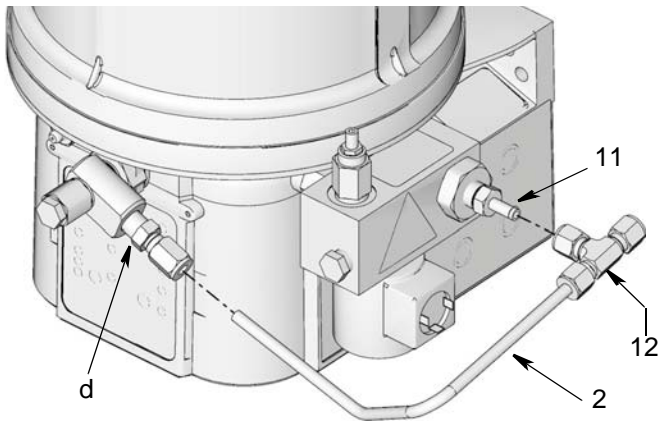


FIG. 18

8. Install tube (1) around the back side of the G3 pump between banjo fitting (b) installed on the right side of the G3 pump and tee fitting (12) on the left side of the G3 pump (viewed from the front) as shown in

FIG. 18.

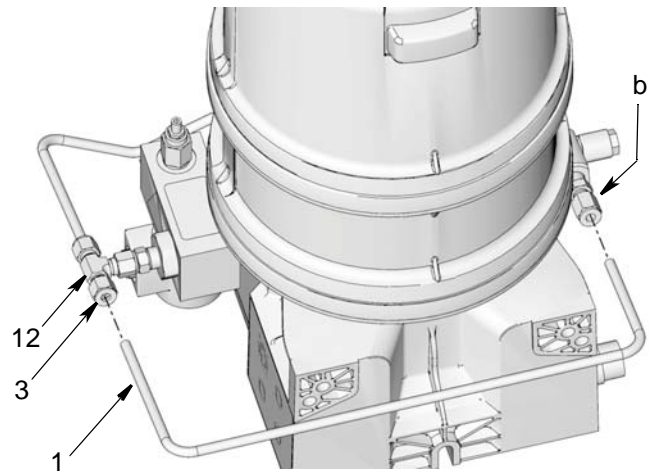


FIG. 19

9. Hand tighten tube nuts (3), securely. Then tighten another 1-1/4 turns (FIG. 19).
10. Tighten banjo bolts (6) to 35 ft. pounds (45.7 N•m) at each location.
11. Apply thread sealant to threads of plug (10). Install plugs in unused outlet locations (FIG. 20).

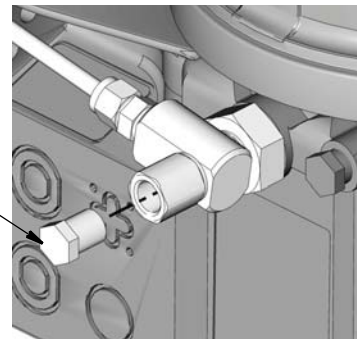


FIG. 20

All written and visual data contained in this document reflects the latest product information available at the time of publication. Graco reserves the right to make changes at any time without notice.

Original instructions. This manual contains English. MM 3A0523
 For patent information, see www.graco.com/patents.

Graco Headquarters: Minneapolis
International Offices: Belgium, China, Japan, Korea
GRACO INC. P.O. BOX 1441 MINNEAPOLIS, MN 55440-1441

Copyright 2010, Graco Inc. is registered to ISO 9001
www.graco.com
 Revised May 2016