

Patch Cable

3A2796D

EN

Patch cable used with G3 pump to power vent valve accessory.

Part No.: 24N351






Important Safety Instructions

Read all warnings and instructions in this manual and in the G3 Pump instruction manual. Save all instructions.

Patch Kit Parts

Description	Qty
CABLE Accessory	1
▲ TAG, warning	1

▲ *Replacement Danger and Warning labels, tags and cards are available at no cost.*

							
ELECTRIC SHOCK HAZARD							
This equipment must be grounded. Improper grounding, setup, or usage of the system can cause electric shock.							
If the plug is not correctly connected to the G3 pump as shown in FIG. 1, the user could be seriously injured due to electric shock and/or the pump could be significantly damaged							
<ul style="list-style-type: none"> • Turn off and disconnect power at main switch before disconnecting any cables and before servicing equipment. • Connect only to grounded power source. • All electrical wiring must be done by a qualified electrician and comply with all local codes and regulations. 							

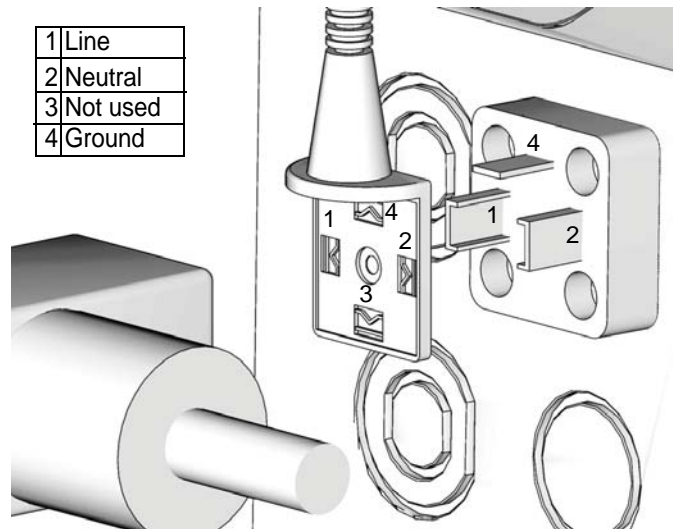
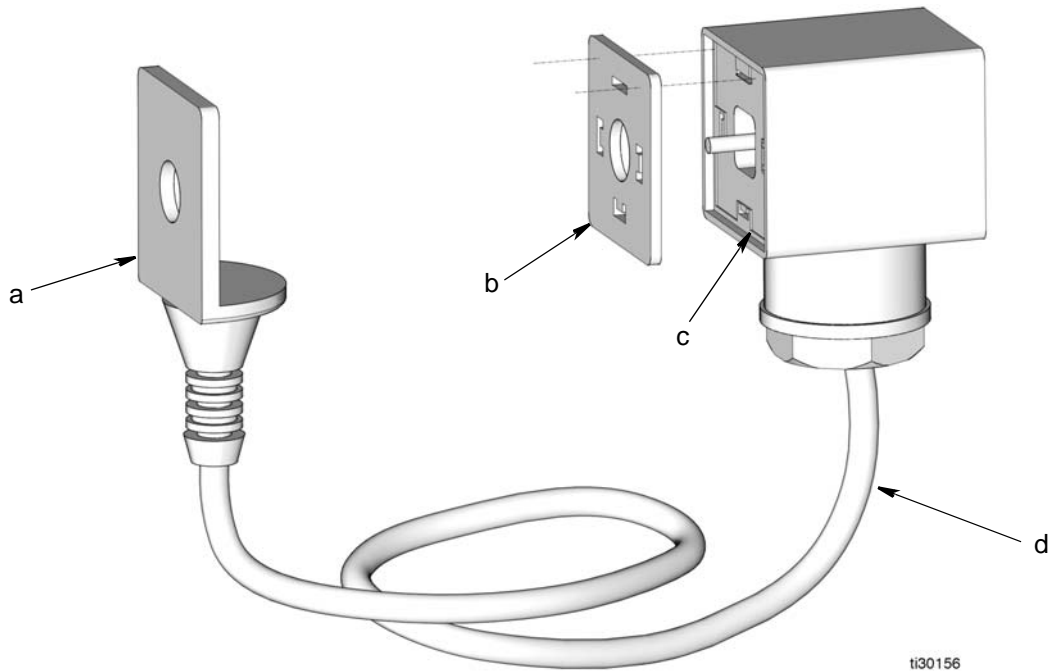


FIG. 1

Installation



ti30156

FIG. 2

1. The flat connector (a) (FIG. 2 and FIG. 3) is self-sealing and therefore installing a gasket between it and the mating surface before connecting it to the pump and the external power cable is not required.
2. Discard the factory-installed gasket on the external power cable.
3. Install the gasket (b) (included in the kit) to the plug end (c) of the cable assembly (d) as shown in FIG. 4 and FIG. 4.

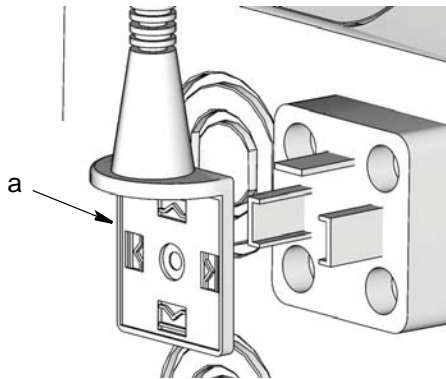


FIG. 3

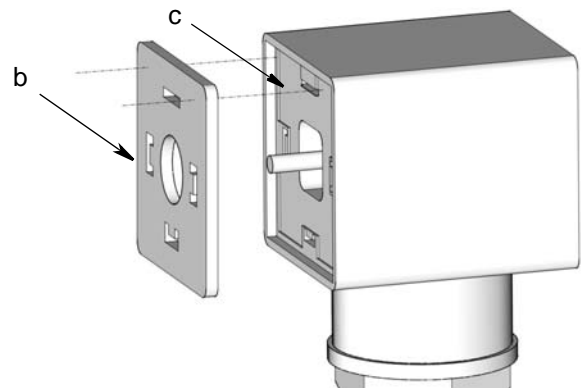


FIG. 4

All written and visual data contained in this document reflects the latest product information available at the time of publication. Graco reserves the right to make changes at any time without notice.

For patent information, see www.graco.com/patents.

Original instructions. This manual contains English. MM 3A2796

Graco Headquarters: Minneapolis
International Offices: Belgium, China, Japan, Korea

GRACO INC. AND SUBSIDIARIES • P.O. BOX 1441 • MINNEAPOLIS MN 55440-1441 • USA

Copyright 2012, Graco Inc. All Graco manufacturing locations are registered to ISO 9001.

www.graco.com

Revised February October 2016