

# NXT135 Air Valve Seal Kit

406656C  
EN

For NXT107, NXT108, and NXT109 air valves.

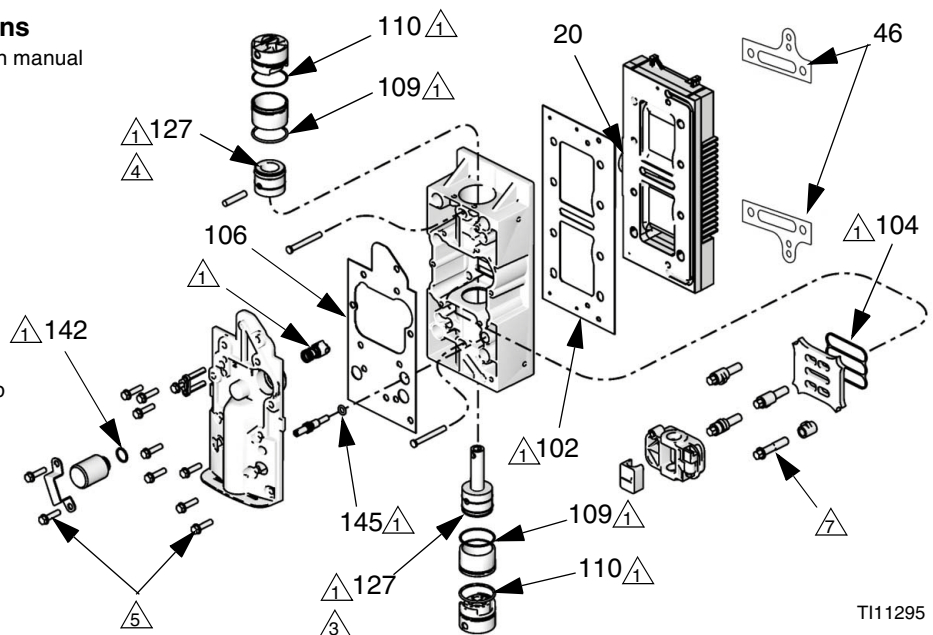
NXT is a registered trademark of Graco Inc.



### Important Safety Instructions

Read all warnings and instructions in manual 311238. Save those instructions.

- ⚠️ 1 Apply lithium grease.
- ⚠️ 3 Lips must face up.
- ⚠️ 4 Lips must face down.
- ⚠️ 5 Thread in by hand, then torque to 130 in-lb (14.6 N•m) for all 11 screws.
- ⚠️ 7 Thread in by hand, then torque to 22 ft-lb (29.8- N•m).



T11295

Ref	Part	Description	Qty.
20	119990	O-RING, seal, exhaust	1
46	253476	GASKET, pair; air valve to end caps	1
102	15H634	GASKET, exhaust housing; black	1
104	15F435	SEAL, valve, plate, rubber	1
106	15H633	GASKET, cover; black	1
109		O-RING, sleeve, spool	2
110	108014	O-RING, plug, spool	2
127	123193	SEAL, u-cup, piston, spool	2
142	104130	O-RING, hole, solenoid	1
145	159589	O-RING, stem, bleed	1

*All written and visual data contained in this document reflects the latest product information available at the time of publication.  
Graco reserves the right to make changes at any time without notice.*

*This manual contains English. MM 406656*

**Graco Headquarters:** Minneapolis

**International Offices:** Belgium, China, Japan, Korea

**GRACO INC. P.O. BOX 1441 MINNEAPOLIS, MN 55440-1441**

Copyright 2006, Graco Inc. is registered to ISO 9001

[www.graco.com](http://www.graco.com)

Revised January 2015