

NXT[®] Air Motor Repair Kits

406658B

For NXT air motor repair.

NXT100, Replacement Poppet

NXT101, Poppet Seal Kit

NXT200, for NXT Model 2200 Air Motors

NXT300, for NXT Model 3400 Air Motors

NXT600, for NXT Model 6500 Air Motors



Important Safety Instructions

Read all warnings and instructions in manual 311238. Save those instructions.

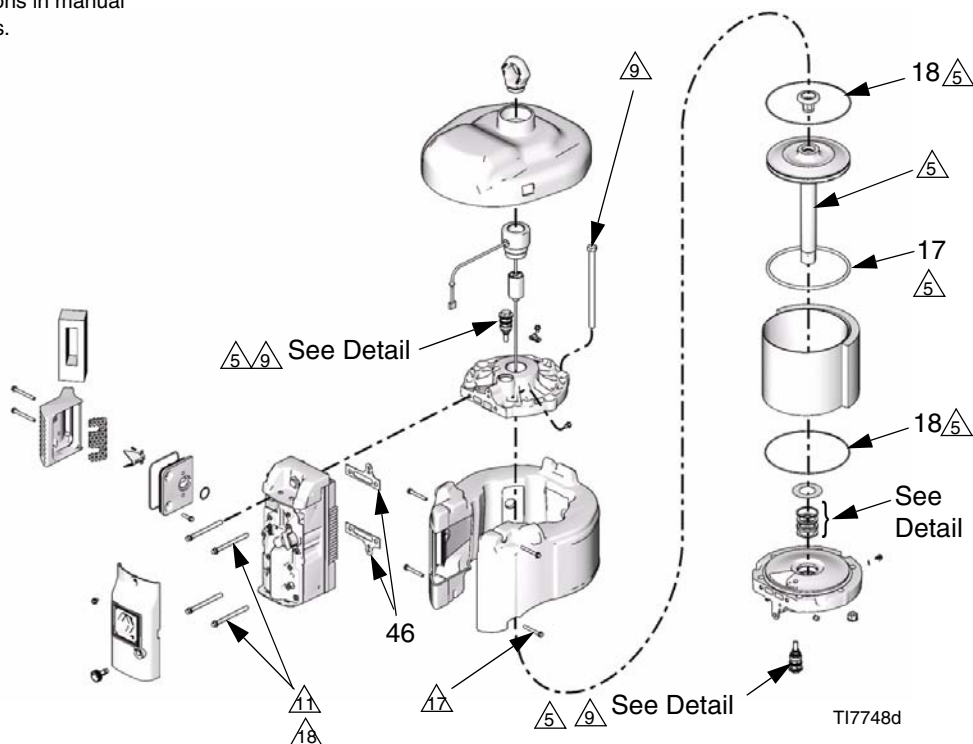
△5 Apply lithium grease.

△9 Torque to 38-42 ft-lb (51.3-56.7 N•m).

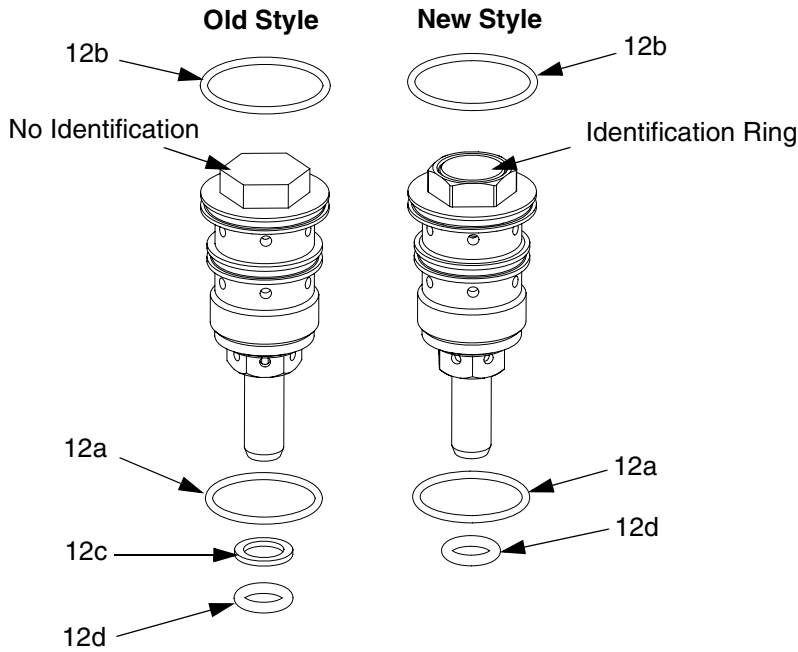
△11 Torque to 20 ft-lb (27 N•m).

△17 Thread in by hand, then fully tighten against muffler.

△18 See manual 311238 for torque sequence in order to correctly align top and bottom motor caps.

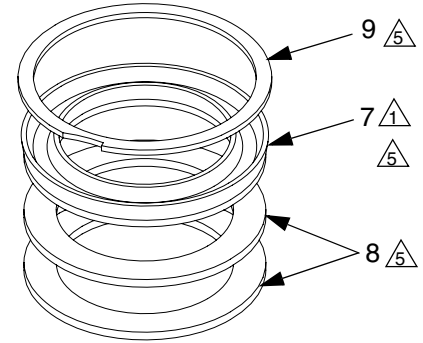


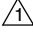
Detail of Poppet NXT100 (12)




NOTE: Do not use 12c on new style poppets.

Detail of Packings



 Lips face up.

 Apply lubricant.

NOTE: Older NXT air motors had one leather seal (8) installed above the u-cup (7). Install new seals as shown above.

Ref	Part	Description	NXT100 Qty.	NXT101 Qty.	NXT200 Qty.	NXT300 Qty.	NXT600 Qty.
7	161562	SEAL, u-cup, shaft	-	-	1	1	1
8	15H610	SEAL, backup; leather	-	-	2	2	2
9	15A026	RING, retaining, spiral; SST	-	-	1	1	1
12	NXT100	POPPET					
12a		O-RING, middle, poppet; -022	1	1	2	2	2
12b		O-RING, top, poppet; -024	1	1	2	2	2
12c		RING, backup (only on old poppets)	-	1	2	2	2
12d		O-RING, shaft, poppet; -110	1	1	2	2	2
17	123196	O-RING, piston, motor, 2200	-	-	1	-	-
	122434	O-RING, piston, motor, 3400	-	-	-	1	-
	122675	O-RING, piston, motor, 6500	-	-	-	-	1
18	15F448	O-RING, end cap, 6500	-	-	-	-	2
	15F449	O-RING, end cap, 2200, 3400	-	-	2	2	-
46	253476	GASKET, pair; air valve to end caps	-	-	1	1	1

All written and visual data contained in this document reflects the latest product information available at the time of publication. Graco reserves the right to make changes at any time without notice.

This manual contains English. MM 406658

Graco Headquarters: Minneapolis
International Offices: Belgium, China, Japan, Korea

GRACO INC. P.O. BOX 1441 MINNEAPOLIS, MN 55440-1441

Copyright 2006, Graco Inc. is registered to ISO 9001

www.graco.com
 Revised 06/2009