

## NXT145 Replacement Kit

406820B  
EN

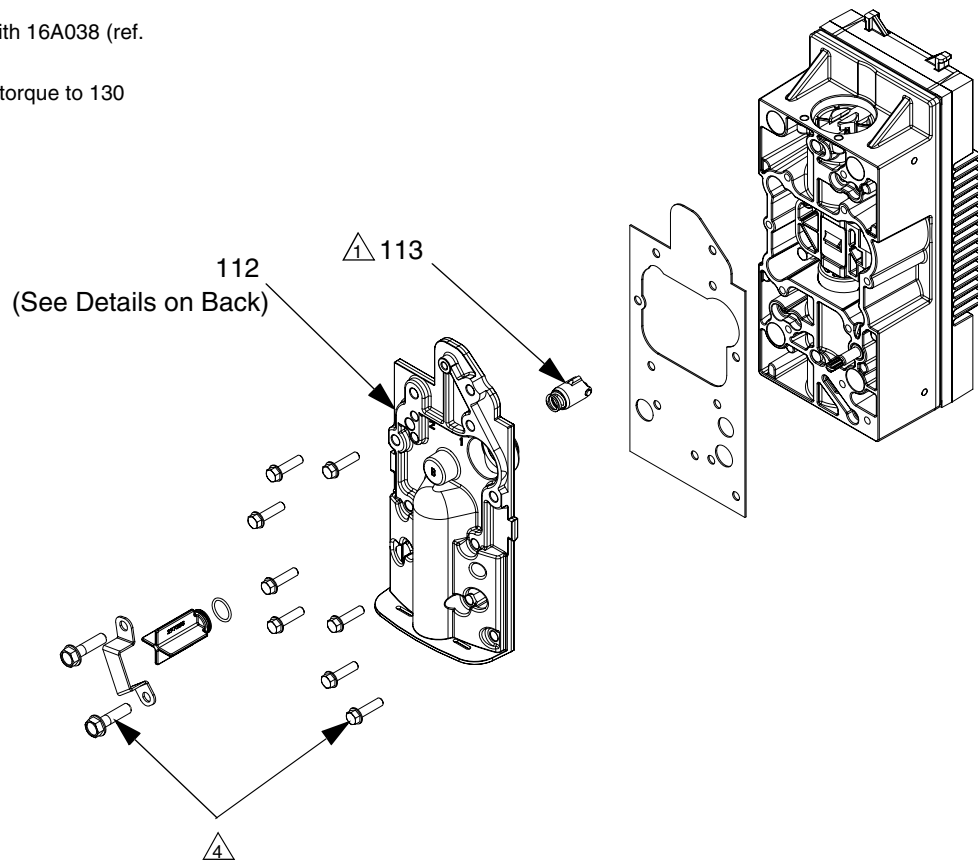
*For NXT<sup>®</sup> air motor (NXT107, NXT108, NXT109) air valves.*



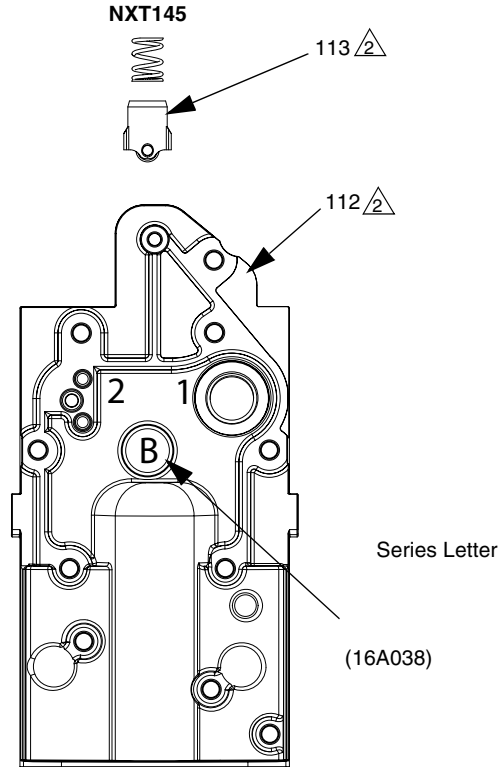
### Important Safety Instructions

Read all warnings and instructions in manual 311238. Save those instructions.

- ⚠ 1 Apply lithium grease.
- ⚠ 2 NXT145 is compatible with 16A038 (ref. 112) only.
- ⚠ 4 Thread in by hand, then torque to 130 in-lb (14.6 N•m).



- ① Apply lubricant.
- ② NXT145 is compatible with 16A038 (ref. 112) only.
- ④ Thread in by hand, then torque to 130 in-lb (14.6 N•m).



**NOTE: To use new detent NXT145 on pre-2009 motors, you must use valve cover 16A038. Order valve cover separately.**

*All written and visual data contained in this document reflects the latest product information available at the time of publication. Graco reserves the right to make changes at any time without notice.*

*This manual contains English. MM 406820*

**Graco Headquarters:** Minneapolis  
**International Offices:** Belgium, China, Japan, Korea  
**GRACO INC. P.O. BOX 1441 MINNEAPOLIS, MN 55440-1441**  
 Copyright 2009, Graco Inc. is registered to ISO 9001  
[www.graco.com](http://www.graco.com)  
 Revised January 2015