

GENUINE GRACO PARTS AND ACCESSORIES

Seal Repair Kit

for T1 2:1 Ratio Transfer Pump

24K363 Lower Seal Kit



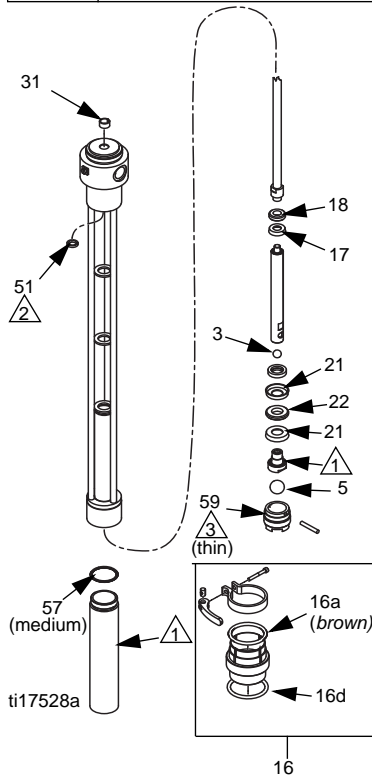
406935C

EN



Important Safety Instructions

Read all warnings and instructions in manual 312766.
Save those instructions.



Ref	Description	Qty
3	BALL, bearing, upper	1
5	BALL, bearing, lower	1
16a	O-RING; inner (brown)	1
16d	O-RING; O.D.	1
17	PACKING, cup; upper piston	1
18	BEARING, piston, upper	1
21	SEAL, piston, lower	2
22	BEARING, piston, lower	1
31	BEARING, connecting rod	1
51	SEAL	1
57	O-RING	1
59	O-RING	1

- ⚠ Torque to 30-35 ft-lb (41-48 N•m).
- ⚠ Use assembly tool 24B917.
- ⚠ Used on Series C pumps only. See T1 instruction manual 312766 for more information.
- 4. Medium and thin refers to the relative cross section thickness of the o-rings.