

ILE Buyer's Guide

A Complete Line of Industrial Lubrication Equipment



PROVEN QUALITY. LEADING TECHNOLOGY.

Go online at www.graco.com/lubrication for:

- Literature
- Instruction Manuals
- Buyer's Guide
- Product Knowledge Exchange
- Distributor Locator
- What's New
- GEDI®

GEDI is the "Graco Extranet Distributor Information" area on our web site where distributors have access to up-to-the-minute pricing, product order and shipping status and order entry. Information is accessed by an account number and a confidential password.

To Find Your Nearest Authorized Graco Lubrication Equipment Distributor

Call: **1-800-533-9655** *(toll free North America)*

Fax: **1-800-533-9656**

Literature Index | Service Manuals | Literature

Table of Contents

Graco Pumps-at-a-Glance	6
Electric Pumps	
G1™	7-9
G3™	10-13
G-Series Pump Accessories	14-15
Modu-Flo®	16
LubeMaster®	17-20
Miniature Meter-Flo®	21-22
Meter-Flo®	23
Injecto-Flo® EO-1 and EO-3	24
Injecto-Flo® II	25-26
Thrif-T-Luber®	27
Maxi-Flo™	28
Pneumatic Pumps	
LubePro™	29
Modu-Flo®	30-31
E-Series™	32-33
MSA-10™ and MSA-100™	34
Injecto-Flo® AO-1	35
LubriSystem®	36
Manual Pumps	
Manual Grease Gun	37
PH Pump™	38
LubriSystem®	39
Thrif-T-Luber®	40
Mechanical Pumps	
LubeMaster® Ratchet Drive	41-42
MLS Series™	43
Hydraulic Pumps	
Modu-Flo®	44
Single Line Resistive Metering Devices	
Thrif-T-Luber®	45
Single Line Parallel Metering Devices	
Piston Distributors	46-48
LubriSystem® Injectors	49-50
GL-32™ and GL-43™ Injectors	51-52
GL-33™ and GL-42™ Injectors	53-54
GL-1™ and GL-1™ High Corrosion Protection (HCP) Injectors	55
GL-11™ Injectors	56
Series Progressive Metering Devices	
Trabon® USP Mono Block Divider Valve	57
Trabon® MD Mono Block Divider Valve	58
Trabon® MJ Divider Valve	59
Trabon® MSP Divider Valve	60-64
Trabon® MSP Stainless Steel Divider Valve	65-66
Manzel® MHH Divider Valve	67-68
Trabon® MX Divider Valve	69-70
Trabon® MXP Divider Valve	71-72
Trabon® MGO Divider Valve	73-74
Air Oil	
A/O Series™ Valves	75
High Speed Spindl-Gard® Systems	76-77

Table of Contents

General Accessories

Trabon® Spra-Control™ Valve	78
Zone Valves	79
Reset Indicators	80
Automatic Relief Indicator	81
Rupture Indicators	82
Rupture to Atmosphere Indicators	83
Magnetic Visual Indicator	84
Proximity Switch	85
Pressure Switch	86
Broken Line Indicator	87
Filters and Single Point Lubricator Accessories	88
Fittings	89
Pressure Gauges and Check Valves	90
Installation Accessories – Hose, Tubing, Fittings, and Mounting Hardware	91-93

Controllers

GLC 2200™ Controller	94
GLC 4400™ Controller	95
Solid State Timer	96
WMP III Maxi-Monitor®	97

On-Road Mobile Lubrication

Grease Jockey® Pump Kits	98
Grease Jockey® Right and Left Front Pump Kits for Trucks	99
Grease Jockey® Rear Axle Modules Truck and Tractor Kits	99
Grease Jockey® Pneumatic Universal Truck Kits	100-101
Universal Trailer Lubrication Kits	102
EZ Greaser® for Trucks and Trailers	103
Reservoir Refill Manual Pump	104

Off-Road Mobile Lubrication

Dyna-Star® 10:1 Hydraulically Powered Pumps	105-106
Dyna-Star® 5:1 and Fireball 300 50:1	106
G1™ Pump and USP Divider Valve Kits	107
G3 Lubrication Kits	108

Lubrication Systems

Dyna-Star® HP and HF 24 VDC	109-111
---------------------------------------	---------

Compressor Lubrication

Manzel® Model 25 Lubricator	112-114
Manzel® MBL Box Lubricator	115-121
Manzel® MB Specialty Box Lubricators	122
Manzel® GBL 7500	123
Manzel® DSL Box Lubricators and Pumps	124-125
Model HP-15 High Pressure	126
Model HP-50 High Pressure Lubricators	127
Manzel® MVB Pumps	128-129

Compressor Lubrication Accessories

Manzel® Lube-Line Alert	130
Pneumatic/Electric Lube Sentry Valve	131
Balancing Valve	132

Index	133-142
-----------------	---------

Graco Pumps-at-a-Glance

Selecting the Right Pump is Easy!

Choose your pump based on the system metering device, power source and fluid type.



= Series Progressive



= Single Line Parallel



= Single Line Resistive

Graco Pump	Metering Device			Power Source						Fluid Type
	SP	SLP	SLR	AC	DC	Pneumatic	Hydraulic	Manual	Mechanical	
Dyna-Star®	•	•		•	•		•			Grease
E-Series™	•					•				Oil or grease
G1™	•			•	•					Oil or grease
G3™	•	•		•	•					Oil or grease
Injecto-Flo®	•	•		•		•				Oil
Injecto-Flo® II		•		•						Oil or fluid grease
LubeMaster®	•			•	•				•	Oil or grease
LubePro™	•	•				•				Oil or grease
LubriSystem®		•				•		•		Oil or grease
Manual Grease Gun	•	•	•					•		Oil or grease
Maxi-Flo®	•			•						Oil
Meter-Flo®	•			•						Oil
Miniature Meter-Flo®	•			•						Oil
Modu-Flo®	•			•	•	•	•			Oil or grease
MSA™	•					•				Oil or grease
PH Pump	•							•		Oil or grease
Thrif-T Luber®			•	•				•		Oil

Electric Pumps

G1™ Pumps

Simple Solution. Sophisticated Results.

Choose the user-friendly Graco G1 Pump where you need a reliable, simple alternative to manual lubrication. Work smarter and get better productivity from your equipment and maintenance staff with G1 Series lubrication pumps.

Features and Benefits

- Choice of 2, 4, or 8 liter reservoirs for oil or grease. Size to match your system needs.
- Connect to DC (12 or 24v) and AC (90-240v) power sources with CPC or DIN-style connectors for easy, no hassle installations
- Available with stirring paddle and wiper arm to keep material from separating. Optional follower plate ensures grease stays level for extreme angle installations.
- G1 comes with one pump element installed that reliably delivers lubricant when you need it
- G1 Standard™ has no internal controller for a low cost solution. G1 Plus™ has built-in on/off timer with optional low level feature that shuts down the pump when empty. Manual run initiates lube cycles on-demand with the option for remote control.

Typical Applications

- On-Road Lubrication
- Off-Road Lubrication
- Series Progressive Lubrication

Lubrication Used

- Oil
- NLGI #000 to NLGI #2

Technical Specifications

Max Pressure	5,100 psi (352 bar)
Power	12 VDC, 24 VDC, 90-240 VAC
Operating Temperature	-40° F to 158° F (-40° C to 70° C)
Reservoir Size2, 4 or 8 liter
Maximum Run Time	30 minutes
Control Options	Standard or Plus
Output per Element /Min.	0.25 in. ³ (4 cm ³) / minute
IP Rating	IP69K
Instruction Manual	332316



G1 Standard



G1 Plus

Electric Pumps

G1™ Pumps and Accessories



G1 Standard

Comes standard with no controller for use with separate or existing machine control for a low cost solution. Capable of sending a low level signal to your external controller or PLC with the low level option.

	Voltage	Reservoir Size			Wiper Arm	Follower Plate	External Low Level	Power Connection	
		2 liter	4 liter	8 liter					
Application	Grease	12 VDC	94G006	94G007	94G008	•		CPC	
			94G009	94G010	94G011	•		•	CPC
			94G079	–	–		•	•	CPC
		24 VDC	94G018	94G019	94G020	•			CPC
			94G021	94G022	94G023	•		•	CPC
			94G036	94G037	94G038	•			DIN
	90-240 VAC	94G039	94G040	94G041	•		•	DIN	
		94G063	94G064	94G065	•			DIN	
		94G066	94G067	94G068	•		•	DIN	
	Oil	24 VDC	94G069	94G070	94G071		•	•	DIN
			94G042	94G043	94G044				DIN
		90-240 VAC	94G045	94G046	94G047			•	DIN
94G072			94G073	94G074				DIN	
		94G075	94G076	94G077			•	DIN	

G1 Standard Power Cables (sold separately)

Part Number	Description	Length
127783	3 wire with CPC connector	15 ft (4.6 m)
16U790	DIN connector	15 ft (4.6 m)

Electric Pumps

G1™ Pumps and Accessories



G1 Plus

Built-in controller with selectable pump on/pump off timer comes with local manual run and password protection. Optional low level sensing and shut-down available, as well as remote manual run when adding the 5 wire CPC cable and remote push button accessories.

	Voltage	Reservoir Size			Wiper Arm	Follower Plate	Remote Manual Run/Monitor Light*	Low Level	Power Connection	
		2 liter	4 liter	8 liter						
Application	Grease	12 VDC	94G000	94G001	94G002	•			5 Wire CPC	
			94G003	94G004	94G005	•		•	•	5 Wire CPC
		24 VDC	94G012	94G013	94G014	•				5 Wire CPC
			94G015	94G016	94G017	•		•	•	5 Wire CPC
			94G024	94G025	94G026	•				DIN
			94G027	94G028	94G029	•			•	DIN
	90-240 VAC	94G048	94G049	94G050	•				DIN	
		94G051	94G052	94G053	•			•	DIN	
		94G054	94G055	94G056		•		•	DIN	
	Oil	24 VDC	94G030	94G031	94G032					DIN
			94G033	94G034	94G035				•	DIN
		90-240 VAC	94G057	94G058	94G059					DIN
94G060			94G061	94G062				•	DIN	

*Remote Manual Run and External Low Level indication require a 5 wire cable with CPC connector and a Remote Manual Run/Monitoring Light Device to provide external low level indication. Choose part number 571030 for 12 VDC pumps or 571031 for 24 VDC pumps.

G1 Plus Power Cables (sold separately)

Part Number	Description	Length
127783	3 wire with CPC connector	15 ft (4.6 m)
127780	5 wire with CPC connector	15 ft (4.6 m)
127781	5 wire with CPC connector	20 ft (6.1 m)
127782	5 wire with CPC connector	30 ft (9.1 m)
16U790	DIN connector	15 ft (4.6 m)

Electric Pumps

G3™ Pumps

Versatile Design Helps Solve Today's Lubrication Challenges

Temperature changes, changing grease types and challenging installation requirements are no problem for the G3 electric lubrication pump. With its flexible design, including adjustable pump elements and an ability to work with both injector-based and series progressive systems, G3 is a rugged, cost-effective pump designed to serve multiple markets and applications. The pump features three control choices, which means added flexibility for easy lube system set-up, operation and troubleshooting. The pump extends machinery life, reduces operating costs and increases productivity for usage in a wide variety of markets, including in-plant manufacturing, mobile and wind turbines.

Features and Benefits

- Advanced flow dynamics—helps to prevent grease separation
- Load minimizing drive—for longer life
- Adjustable stroke pump—ensures a custom fit
- Five reservoir sizes to select from—provides a custom fit
- The most advanced user controls in its class—allows you to customize for your unique needs

Typical Applications

- On-Road
- Off-Road
- In-Plant Machine and Conveyor Lubrication
- Wind Energy

Lubrication Used

- Oil
- NLGI #000 to NLGI #2

Technical Specifications

Max Pressure	5,100 psi (352 bar)
Power	12 VDC, 24 VDC, 90-240 VAC
Operating Temperature	-40° F to 158° F (-40° C to 70° C)
Reservoir Size	2, 4, 8, 12 or 16 liter
Maximum Run Time	30 minutes
Control Options	Standard, Pro or Max
Output per Element /Min.	0.12 in ³ , 0.18 in ³ , 0.25 in ³ (2 cm ³ , 3 cm ³ , 4 cm ³)
Certifications/Ratings	CE, ETL*, IP69K
		*Conforms to UL 73, certified to CSA 22.2 No 68-09
Instruction Manual	3A0414

G3 with Data Management System (DMS)

- Simple data transfer to your PC via USB flash drive for further analysis using Excel® or Notepad®
- Provides performance history for lube system events, such as cycle detection, error logs and allows a quick check of lubrication performance to meet your system requirements
- Preferred lube cycle program can be stored and transferred to other G3 pumps in your fleet for quick and accurate repeatability
- Provides you the comfort and security in knowing your pump is being properly maintained and your lube system is protecting your valuable asset



Standard Model



Pro Model



Max Model



Electric Pumps

G3™ Pumps



G3 Standard

Comes standard with no controller for use with separate or existing machine control for a low cost solution. Some models capable of sending a low level signal to your external controller or PLC.

	Voltage	Reservoir Size					Wiper Arm	Follower Plate	External Low Level	Power Connection		
		2 liter	4 liter	8 liter	12 liter	16 liter						
Application	Grease	12 VDC	96G000	96G038	96G039	–	–	•			CPC	
			96G003	96G044	96G045	–	–	•		•	CPC	
		24 VDC	96G001	96G040	96G041	96G171	96G172	•				CPC
			96G005	96G048	96G049	96G199	–	•		•		CPC
			96G006	96G053	96G192	–	–		•	•		CPC
			96G182	96G184	96G189	–	–	•		•		DIN
	–	26G204	26G205	–	–		•	•		DIN		
	90-240 VAC	96G002	96G042	96G043	–	–	•				DIN	
		96G007	96G055	96G056	96G057	96G058	•		•		DIN	
		96G008	96G062	96G187	–	–		•	•		DIN	
		–	96G202	–	–	–	•		•	DIN	DIN	
	Oil	24 VDC	96G050	96G051	96G052	–	–			•	CPC	
90-240 VAC		96G059	96G060	96G061	–	–			•	DIN		



G3 Pro

Built-in controller with selectable pump on/pump off timer comes with local manual run and password protection with pre-lube function to initiate lube cycle on start-up. Optional low level sensing, warning and shut-down alarm available as well as remote manual run.

	Voltage	Reservoir Size					M12 Connection for Remote*	Wiper Arm	Follower Plate	Low Level	Power Connection		
		2 liter	4 liter	8 liter	12 liter	16 liter							
Application	Grease	12 VDC	96G027	96G135	96G136	–	–		•			CPC	
			96G033	96G147	96G148	–	–		•		•	5 Wire CPC**	
		24 VDC	96G028	96G137	96G138	–	–		•				CPC
			96G011	96G068	96G069	–	–	•	•		•		CPC
			96G012	96G073	–	–	–	•		•	•		CPC
			96G034	96G149	96G150	96G163	96G167		•		•		5 Wire CPC**
	–	96G196	–	–	–		•				DIN		
	–	–	96G194	–	–			•	•		5 Wire CPC**		
	90-240 VAC	96G029	96G139	96G140	–	–		•				DIN	
		96G013	96G075	96G076	96G077	96G078		•		•		DIN	
		96G014	96G082	–	–	–			•	•		DIN	
	Oil	24 VDC	96G070	96G071	96G072	–	–	•			•	CPC	
90-240 VAC		96G079	96G080	96G081	–	–				•	DIN		

*G3 Pro pumps with the M12 connection for Remote Manual Run/Monitoring Light use the kit with the connecting cable to provide external low level indication. Choose part number 571032 for 12 VDC pumps or 571033 for 24 VDC and AC pumps.

**G3 Pro pumps with the 5 Wire CPC power connection are compatible with a Remote Manual Run/Monitoring Light Device to provide external low level indication. Choose part number 571030 for 12 VDC pumps or 571031 for 24 VDC pumps.

Electric Pumps

G3™ Pumps



G3 Max

Built-in controller with selectable pump on/pump off timer has low level warning and shut-down alarm or set up faults to an external alarm. Comes with manual run and password protection with pre-lube function to initiate lube cycle on start-up. Mix and match up to three cycle and pressure switches for custom installations and feedback. Machine count input is ideally suited for inconsistently used equipment. Optional Data Management System™ (DMS) uses a common USB port to quickly configure, store and transfer error log history to Excel® or Notepad® for longer equipment life and performance.

	Voltage	Reservoir Size					Number of Cycle/ Pressure Input	Machine Count	Vent Valve Output	DIN Alarm Output*	M12 Connection for Remote**	Wiper Arm	Follower Plate	Low Level	Power Connection	
		2 liter	4 liter	8 liter	12 liter	16 liter										
Application	Grease	12 VDC	96G030	96G141	96G142	-	-	1				•		•	CPC	
			96G021	96G096	96G097	-	-	1-3	•	•	•	•	•	•	DIN	
			96G035	96G151	96G152	-	-	1		•			•		5 Wire CPC†	
			-	96G159	-	-	-	1	•				•		5 Wire CPC†	
		24 VDC	96G031	96G143	96G144	-	-	1					•		•	CPC
			96G017	96G088	96G089	-	-	1		•		•	•		•	CPC
			96G018	96G090	-	-	-	1		•		•		•	•	CPC
			96G036	96G155	96G156	96G164	96G168	1		•			•			5 Wire CPC†
	96G023		96G103	96G104	96G105	96G106	1-3	•	•	•	•	•		•	DIN	
	96G024		96G113	-	-	-	1-3	•	•	•	•		•	•	DIN	
	96G178		-	-	-	-	1			•		•		•	DIN	
	-	96G160	-	-	-	1	•					•			5 Wire CPC†	
	90-240 VAC	96G032	96G145	96G146	-	-	1					•		•	DIN	
		96G019	96G092	96G093	-	96G166	1		•			•		•	DIN	
		96G020	96G094	-	-	-	1		•				•	•	DIN	
		96G025	96G118	96G119	96G120	96G121	1-3	•	•	•	•	•		•	DIN	
		96G026	96G128	96G197	-	-	1-3	•	•	•	•		•	•	DIN	
		96G037	96G183	-	-	-	1			•		•		•	DIN	
	Oil	24 VDC	96G107	96G108	96G109	-	-	1-3	•	•	•	•			•	DIN
		90-240 VAC	96G122	96G123	96G124	-	-	1-3	•	•	•	•			•	DIN

*The DIN Alarm Output is a dry contact relay which opens or closes when a fault is detected. This relay acts as a switch but supplies no power. It requires external power to energize the circuit when closed.

**G3 Max pumps with the M12 connection for Remote Manual Run/Monitoring Light use the kit with the connecting cable to provide external fault indication. Choose part number 571032 for 12 VDC pumps or 571033 for 24 VDC and AC pumps.

†G3 Max pumps with the 5 Wire CPC power connection are compatible with a Remote Manual Run/Monitoring Light Device to provide external fault indication. Choose part number 571030 for 12 VDC pumps or 571031 for 24 VDC pumps.

Electric Pumps

G3™ Pumps

G3 Max with Data Management System

	Voltage	Reservoir Size					Number of Cycle/ Pressure Input	Machine Count	Vent Valve Output	DIN Alarm Output*	M12 Connection for Remote**	Wiper Arm	Follower Plate	Low Level	Power Connection
		2 liter	4 liter	8 liter	12 liter	16 liter									
Application	Grease	12 VDC	-	96G161	-	-	-	1	•						DIN
			-	96G153	-	-	-	1		•					5 Wire CPC†
			96G098	96G099	96G100	-	-	1-2	•	•	•	•	•	•	DIN
			-	-	96G154	-	-	1		•			•		5 Wire CPC†
		24 VDC	96G110	96G111	96G112	-	-	1-2	•	•	•	•	•	•	DIN
			96G115	96G116	-	-	-	1-2	•	•	•	•		•	DIN
			-	96G162	-	-	-	1	•				•		5 Wire CPC†
			-	96G157	96G158	96G165	96G169	1		•			•		5 Wire CPC†
	90-240 VAC	96G125	96G126	96G127	-	-	1-2	•	•	•	•	•	•	DIN	
		96G132	96G133	-	-	-	1-2	•	•	•	•		•	DIN	
	Oil	12 VDC	-	-	-	96G186	-	1	•				•		5 Wire CPC†
			-	96G188	96G195	-	-	1	•				•		5 Wire CPC†
		24 VDC	96G190	-	-	-	96G201	1-2	•	•	•	•	•	•	DIN
			96G174	96G175	96G176	-	-	1-2	•	•	•	•	•	•	DIN

*The DIN Alarm Output is a dry contact relay which opens or closes when a fault is detected. This relay acts as a switch but supplies no power. It requires external power to energize the circuit when closed.

**G3 Max pumps with the M12 connection for Remote Manual Run/Monitoring Light use the kit with the connecting cable to provide external fault indication. Choose part number 571032 for 12 VDC pumps or 571033 for 24 VDC and AC pumps.

†G3 Max pumps with the 5 Wire CPC power connection are compatible with a Remote Manual Run/Monitoring Light Device to provide external fault indication. Choose part number 571030 for 12 VDC pumps or 571031 for 24 VDC pumps.

Electric Pumps

G-Series Pump Accessories

Accessories

571041	G3 pump element—the same adjustability as the pump included with G3
24V837	Food and Beverage Upgrade Kit—contains pump element, stainless zerk fitting, and stainless reservoir plugs
571063	Two pump union kit—combines the output of the left and right pumps for larger lubrication needs
571026	Three pump union kit—joins the output of the left, right and center pumps for maximum output
24P296	Two pump union kit for use with pump mounted vent valve
24P295	Three pump union kit for use with pump mounted vent valve
571028	Adjustable return-to-reservoir pressure relief kit – 500-3500 psi (35-241 bar)
571036	Protective front cover kit—snaps over the front control panel on Pro and Max G3 models—black
571255	Protective front cover kit—snaps over the front control panel on Pro and Max G3 models—clear
126005	Liquid-filled pressure gauge—0-5,000 psi (0-344.7 bar) - 1/4 inch (6.4 mm) NPT brass back mount connection
557352	Dry pressure gauge—0-5,000 psi (0-344.7 bar), 1/4 inch (6.4 mm) NPT brass bottom mount connection
571030	Remote manual run/monitoring light—12 VDC
571032	Remote manual run/monitoring light kit—12 VDC, includes 16 foot M12 cable
571031	Remote manual run/monitoring light—24 VDC, 90-240 VAC
571033	Remote manual monitoring light run kit—24 VDC, 90-240 VAC, includes 16 foot M12 cable
571058	Pressure relief-to-atmosphere kit—requires one of the following six pressure relief valves:
563156	Pressure relief valve—750 psi (52 bar)
563157	Pressure relief valve—1000 psi (69 bar)
563158	Pressure relief valve—1500 psi (103 bar)
563159	Pressure relief valve—2000 psi (138 bar)
563160	Pressure relief valve—2500 psi (172 bar)
563161	Pressure relief valve—3000 psi (207 bar)
115122	Pressure relief valve to atmosphere, 1/8" NPT male, 4000 psi (276 bar)
571070	Pressure relief valve adapter, 1/4" BSPP
124300	Accessory cable—16 foot male M12 connector on one end and flying leads on the other end
124333	Accessory cable—16 foot male M12 connector on one end and female M12 connector on the other end
126331	Accessory cable—16 foot female M12 on one end and flying leads on the other end
124640	Alarm output accessory cable—DIN connector to flying leads, 6.5 feet
124301	M12 female connector for 6-8 mm cable
124594	M12 4-pin male connector for 6-8 mm cable
124595	M12 4-pin male connector for 8-11 mm cable
125910	G3 Pump mounting bracket
563485	Electronic proximity switch—12 VDC, 24 VDC or 90-249 VAC. Use to read movement and provide feedback of piston in series progressive divider valve. Includes five foot cable installed into switch with flying leads. Requires purchase of 124594.
563501	Electronic proximity switch with LED—24 VDC or 90-240 VAC. Use to read movement and provide feedback and provide feedback in piston of divider valve. Requires a cable with M12 female connection.
24K415	Cycle indicating proximity switch—designed to work with Graco's USP™, MSP™, and MHH™ series progressive divider valves. Requires purchase of a cable with M12 female connection.
557829	Electronic pressure switch—use to read pressure in an injector-based system. After injectors dispense, G3 will trigger pump shut down and vent. Includes five foot cable installed into switch with flying leads. Requires purchase of 124595.
24K414	Pressure switch—requires purchase of a cable with M12 female connection.
24M644	High capacity fill zerk with quick disconnect and dust cover
556420	Male run tee—1/4 inch (6.4 mm) male x (2) 1/4 inch (6.4 mm) female
121474	Female coupler
247886	Manual pump—fits 5 gallon or 35 pound pail
571162	Manual hand pump—use with grease cartridges, installs into alternative pump element port. Not recommended for pumps with follower plates or three-pump union kits.
571064	Cold temperature fill relief kit—prevents over pressurizing when filling in cold temperatures
571159	G3 pump support bracket for mobile installations—secures 12 and 16 liter reservoirs.
16T854	Vent valve output cover with o-ring, IP69K rated
24P731	DIN power/alarm cover with gasket and screw, IP69K rated
127123	DIN connector, field-wireable, female
17J939	G3 machine count inductive sensor, 12-24 VDC, M12, 5 mm sensing distance



Electric Pumps

G-Series Pump Accessories

Vent Valves Ordering Information

Vent Valves for G3 Max Systems	
571169	G3 Max pump vent valve kit—normally closed, 12 VDC, NPT, adjustable pressure relief, 500-3500 psi (35-241 bar), mounts directly to G3 pump, cable included
571171	G3 Max pump vent valve kit—normally closed, 12 VDC, BSPP, adjustable pressure relief, 500-3500 psi (35-241 bar), mounts directly to G3 pump, cable included
571170	G3 Max pump vent valve kit—normally closed, 24 VDC (also for G3 Max AC pumps), NPT, adjustable pressure relief, 500-3500 psi (35-241 bar), mounts directly to G3 pump, cable included
571172	G3 Max pump vent valve kit—normally closed, 24 VDC (also for G3 Max AC Pumps), BSPP, adjustable pressure relief, 500-3500 psi (35-241 bar), mounts directly to G3 pump, cable included
Vent Valves and Accessories for G3 Standard Systems	
24M478	G3 Standard pump vent valve kit—normally open, 12 VDC, NPT, adjustable pressure relief, 500-3500 psi (35-241 bar), mounts directly to G3 pump, requires cable with Deutsch connector—see 24N402
24M481	G3 Standard pump vent valve kit—normally open, 12 VDC, BSPP, adjustable pressure relief, 500-3500 psi (35-241 bar), mounts directly to G3 pump, requires cable with Deutsch connector—see 24N402
24M479	G3 Standard pump vent valve kit—normally open, 24 VDC, NPT, adjustable pressure relief, 500-3500 psi (35-241 bar), mounts directly to G3 pump, requires cable with Deutsch connector—see 24N402
24M482	G3 Standard pump vent valve kit—normally open, 24 VDC, BSPP, adjustable pressure relief, 500-3500 psi (35-241 bar), mounts directly to G3 pump, requires cable with Deutsch connector—see 24N402
24M480	G3 Standard pump vent valve kit—normally open, 115 VAC, NPT, adjustable pressure relief, 500-3500 psi (35-241 bar), mounts directly to G3 pump, requires cable with DIN connector—see 16U790
24M483	G3 Standard pump vent valve kit—normally open, 115 VAC, BSPP, adjustable pressure relief, 500-3500 psi (35-241 bar), mounts directly to G3 pump, requires cable with DIN connector—see 16U790
24N182	G3 Standard pump vent valve kit—normally open, 230 VAC, NPT, adjustable pressure relief, 500-3500 psi (35-241 bar), mounts directly to right side of G3 pump, requires cable with DIN connector—see 16U790
24M484	G3 Standard pump vent valve kit—normally open, 230 VAC, BSPP, adjustable pressure relief, 500-3500 psi (35-241 bar), mounts directly to G3 pump, requires cable with DIN connector—see 16U790
24T178	G3 Standard pump vent valve kit—normally open, 230 VAC, NPT, adjustable pressure relief, 500-3500 psi (35-241 bar), mounts directly to left side of G3 pump, requires cable with DIN connector—see 16U790
24N402	Vent valve power cable—normally open, 12 or 24 VDC valve, Deutsch connector, 6 feet
16U790	Vent valve power cable—normally open, 115 or 230 VAC valve, DIN connector, 15 feet
24N351	Save installation time and money without the need for additional cabling. Patch cable connects vent valves with DIN connection directly to the DIN Pump Power connector.



24M480



24N351

Electric Pumps

Modu-Flo®

Highly Configurable Pump Solution For Nearly Any Application

The Modu-Flo system is ideal for applications where minimizing downtime is critical. Customizing is easy—just mix and match pumps, reservoirs and manifolds in any configuration to meet most applications. Replace the pump or reservoir, without disconnecting lubrication lines. Electric pumps available for use with AC or DC supply voltage make Modu-Flo the right solution for any automated electric lubrication system.

- Modular system design allows configurations to work in all applications
- Easy to standardize on components and reduce inventory
- Adjustable pump output for fast, convenient customizing

Typical Applications

- Presses and other in plant machines

Lubrication Used

- Oil and Grease up to NLGI #2

Technical Specifications

Output per Stroke	0.024 cu.in. (0.4 cc)
Motor	24 VDC, 115 VAC
Max Output per Min.24 VDC - 0.29 in ³ (4.7 cc)
.115 VAC - 0.58 in ³ (9.5 cc)
Max Operating Pressure2,500 psi (172 bar)
Max Run Time	4 Minutes
Operating Temp20° F to 140° F (-7° C to 60° C)
Operating Environment	24 VDC - Inside/Outside, 115 VAC - Inside Only

Ordering Information

Modu-Flo Pumps	
563356	24 VDC motor, 20 ft connector cable
563346	115 VAC motor, 20 ft connector cable
563333	Pump-to-reservoir manifold, NPT, liquid filled gauge, fill check, outlet check, blowout
563329	Pump-to-reservoir manifold, NPT, w/out hardware or fittings
563355	Pump-to-reservoir manifold, SAE, dry gauge, fill check, outlet check, blowout
563357	Pump-to-reservoir manifold, BSPP, dry gauge, fill check, outlet check, blowout
563324	Pump-to-reservoir manifold, NPT, dry gauge, fill check, outlet check, blowout
563331	Pump-to-reservoir manifold, NPT, dry gauge, fill check, outlet check, tubed blowout
Modu-Flo Spare Parts	
563137	20 ft connector cable for 24 VDC
256778	Modu-Flo pump repair kit
557287	24 VDC gear motor
557285	115 VAC gear motor

See pneumatic Modu-Flo section for a complete list of configurable parts.



Modu-Flo pump shown with grease reservoir

Built For Severe-duty Environments

The LubeMaster is a rugged pump package designed for demanding applications. The adjustable output and anti-friction drive bearings make it both reliable and efficient. Rugged cast iron main body and heavy-duty internal components deliver consistent performance in harsh applications. With several reservoir choices and accessories to choose from, the LubeMaster pump can be easily customized to meet virtually all application needs.

Typical Applications

- Cement plants, paper processing, steel mills and other harsh environments

Typical Fluids Used

- Oil
- Grease up to NLGI #2

Technical Specifications

Cycle Rate	1-175 Strokes per minute
Output Volume per Minute	0.01-8.62 in ³ (0.16-143.41 cm ³)
Max Output Pressure	5,000 psi (340 bar)
Material	Plastic or Metal, Cylindrical
Reservoir Size	Oil - 12 pint, 20 pint, Grease - 12 lb, 20 lb
Motor	115/230 VAC, 230/460 VAC



LM5111

Ordering Information

LubeMaster Pumps	
LM1552	12 pt Plastic Oil Reservoir (562892), Floor-Mounting 60:1 Reduction (563389), Outlet (1/2 HP, 230/460 VAC, 3-Phase, 60 Hz, 1,140 rpm) (557273), Individual Outputs (12 pt Oil, SPDT, 15 amps) (563316)
LM1635	12 pt Plastic Oil Reservoir (562892), Wall-Mounting 60:1 Reduction (563387), Outlet (1/2 HP, 230/460 VAC, 3-Phase, 60 Hz, 1,725 rpm) (557270), 12 pt Oil Low Level, SPDT, 10 watts (563015)
LM2323	20 pt Plastic Oil Reservoir (562893), Floor-Mounting 10:1 Reduction (563388), Outlet (1/2 HP, 115/230 VAC, Single Phase, 60 Hz, 1,725 rpm) (557271), Individual Outputs (20 pt Oil, SPDT, 15 amps) (563317)
LM2533	20 pt Plastic Oil Reservoir (562893), Floor-Mounting 60:1 Reduction (563388), Outlet (1/2 HP, 230/460 VAC, 3-Phase, 60 Hz, 1,725 rpm) (557270), Individual Outputs (20 pt Oil, SPDT, 15 amps) (563317)
LM3131	12 pt Metal Oil Reservoir (562894), Outlet (1/2 HP, 230/460 VAC, 3-Phase, 60 Hz, 1,725 rpm) (557270)
LM4451	20 pt Metal Oil Reservoir (562895), Wall-Mounting 10:1 Reduction (563386), Outlet (1/2 HP, 230/460 VAC, 3-Phase, 60 Hz, 1,140 rpm) (557273)
LM4523	20 pt Metal Oil Reservoir (562895), Floor-Mounting 60:1 Reduction (563389), Outlet (1/2 HP, 115/230 VAC, Single Phase, 60 Hz, 1,725 rpm) (557271), Individual Outputs (20 pt Oil, SPDT, 15 amps) (563317)
LM4533	20 pt Metal Oil Reservoir (562895), Floor-Mounting 60:1 Reduction (563389), Outlet (1/2 HP, 230/460 VAC, 3-Phase, 60 Hz, 1,725 rpm) (557270), Individual Outputs (20 pt Oil, SPDT, 15 amps) (563317)
LM5111	12 lb Plastic Grease Reservoir (562896)
LM5114	12 lb Plastic Grease Reservoir (562896), Individual Outputs (12 lb and 20 lb Grease, SPDT) (563322)
LM5311	12 lb Plastic Grease Reservoir (562896), Floor-Mounting 10:1 Reduction (563388)
LM5331	12 lb Plastic Grease Reservoir (562896), Floor-Mounting 10:1 Reduction (563388), Outlet (1/2 HP, 230/460 VAC, 3-Phase, 60 Hz, 1,725 rpm) (557270)
LM5334	12 lb Plastic Grease Reservoir (562896), Floor-Mounting 10:1 Reduction (563388), Outlet (1/2 HP, 230/460 VAC, 3-Phase, 60 Hz, 1,725 rpm) (557270), Individual Outputs (12 lb and 20 lb Grease, SPDT) (563322)
LM5514	12 lb Plastic Grease Reservoir (562896), Floor-Mounting 60:1 Reduction (563389), Individual Outputs (12 lb and 20 lb Grease, SPDT) (563322)
LM5521	12 lb Plastic Grease Reservoir (562896), Wall-Mounting 10:1 Reduction (563386), Outlet (1/2 HP, 115/230 VAC, 3-Phase, 60 Hz, 1,725 rpm) (557271)
LM5534	12 lb Plastic Grease Reservoir (562896), Floor-Mounting 60:1 Reduction (563389), Outlet (1/2 HP, 230/460 VAC, 3-Phase, 60 Hz, 1,725 rpm) (557270), Individual Outputs (12 lb and 20 lb Grease, SPDT) (563322)
LM5544	12 lb Plastic Grease Reservoir (562896), Floor-Mounting 60:1 Reduction (563389), Outlet (1/2 HP, 115/230 VAC, Single Phase, 60 Hz, 1,140 rpm) (557272), Individual Outputs (12 lb and 20 lb Grease, SPDT) (563322)

Electric Pumps

LubeMaster®

Ordering Information

LubeMaster Pumps	
LM5644	12 lb Plastic Grease Reservoir (562896), Wall-Mounting 60:1 Reduction (563387), Outlet (1/2 HP, 115/230 VAC, Single Phase, 60 Hz, 1,140 rpm) (567272), Individual Outputs (12 lb and 20 lb Grease, SPDT) (563322)
LM6311	20 lb Plastic Grease Reservoir (562897), Floor-Mounting 10:1 Reduction (563388)
LM6314	20 lb Plastic Grease Reservoir (562897), Floor-Mounting 10:1 Reduction (563388), Individual Outputs (12 lb and 20 lb Grease, SPDT) (563322)
LM6334	20 lb Plastic Grease Reservoir (562897), Floor-Mounting 10:1 Reduction (563388), Outlet (1/2 HP, 230/460 VAC, 3-Phase, 60 Hz, 1,725 rpm) (557270), Individual Outputs (12 lb and 20 lb Grease, SPDT) (563322)
LM6344	20 lb Plastic Grease Reservoir (562897), Floor-Mounting 10:1 Reduction (563388), Outlet (1/2 HP, 115/230 VAC, Single Phase, 60 Hz, 1,140 rpm) (557272), Individual Outputs (12 lb and 20 lb Grease, SPDT) (563322)
LM6514	20 lb Plastic Grease Reservoir (562897), Floor-Mounting 10:1 Reduction (563388), Individual Outputs (12 lb and 20 lb Grease, SPDT) (563322)
LM6524	20 lb Plastic Grease Reservoir (562897), Floor-Mounting 60:1 Reduction (563389), Outlet (1/2 HP, 115/230 VAC, Single Phase, 60 Hz, 1,725 rpm) (557271), Individual Outputs (12 lb and 20 lb Grease, SPDT) (563322)
LM6534	20 lb Plastic Grease Reservoir (562897), Floor-Mounting 60:1 Reduction (563389), Outlet (1/2 HP, 230/460 VAC, 3-Phase, 60 Hz, 1,725 rpm) (557270), Individual Outputs (12 lb and 20 lb Grease, SPDT) (563322)
LM6544	20 lb Plastic Grease Reservoir (562897), Floor-Mounting 60:1 Reduction (563389), Outlet (1/2 HP, 115/230 VAC, Single Phase, 60 Hz, 1,140 rpm) (557272), Individual Outputs (12 lb and 20 lb Grease, SPDT) (563322)
LM7214	12 lb Metal Grease Reservoir (562898), Clutch Drive (563383), Individual Outputs (12 lb and 20 lb Grease, SPDT) (563322)
LM7344	12 lb Metal Grease Reservoir (562898), Floor-Mounting 10:1 Reduction (563388), Outlet (1/2 HP, 115/230 VAC, Single Phase, 60 Hz, 1,140 rpm) (557272), Individual Outputs (12 lb and 20 lb Grease, SPDT) (563322)
LM7514	12 lb Metal Grease Reservoir (562898), Floor-Mounting 60:1 Reduction (563389), Individual Outputs (12 lb or 20 lb Grease, SPDT) (563322)
LM7534	12 lb Metal Grease Reservoir (562898), Floor-Mounting 60:1 Reduction (563389), Outlet (1/2 HP, 230/460 VAC, 3-Phase, 60 Hz, 1,725 rpm) (557273), Individual Outputs (12 lb and 20 lb Grease, SPDT) (563322)
LM7614	12 lb Metal Grease Reservoir (562898), Wall-Mounting 60:1 Reduction (563387), Individual Outputs (12 lb and 20 lb Grease, SPDT) (563322)
LM7654	12 lb Metal Grease Reservoir (562898), Wall-Mounting 60:1 Reduction (563387), Outlet (1/2 HP, 230/460 VAC, 3-Phase, 60 Hz, 1,140 rpm) (557273), Individual Outputs (12 lb and 20 lb Grease, SPDT) (563322)
LM8114	20 lb Metal Grease Reservoir (562899), Individual Outputs (12 lb and 20 lb Grease, SPDT) (563322)
LM8314	20 lb Metal Grease Reservoir (562899), Floor-Mounting 10:1 Reduction (563388), Individual Outputs (12 lb and 20 lb Grease, SPDT) (563322)
LM8334	20 lb Metal Grease Reservoir (562899), Floor-Mounting 10:1 Reduction (563388), Outlet (1/2 HP, 230/460 VAC, 3-Phase, 60 Hz, 1,725 rpm) (567270), Individual Outputs (12 lb and 20 lb Grease, SPDT) (563322)
LM8354	20 lb Metal Grease Reservoir (562899), Floor-Mounting 10:1 Reduction (563388), Outlet (1/2 HP, 230/460 VAC, 3-Phase, 60 Hz, 1,140 rpm) (557273), Individual Outputs (12 lb and 20 lb Grease, SPDT) (563322)
LM8454	20 lb Metal Grease Reservoir (562899), Wall-Mounting 10:1 Reduction (563386), Outlet (1/2 HP, 230/460 VAC, 3-Phase, 60 Hz, 1,140 rpm) (557273), Individual Outputs (12 lb and 20 lb Grease, SPDT) (563322)
LM8514	20 lb Metal Grease Reservoir (562899), Floor-Mounting 60:1 Reduction (563389), Individual Outputs (12 lb and 20 lb Grease, SPDT) (563322)
LM8531	20 lb Metal Grease Reservoir (562899), Floor-Mounting 60:1 Reduction (563389), Outlet (1/2 HP, 230/460 VAC, 3-Phase, 60 Hz, 1,725 rpm) (557270)
LM8534	20 lb Metal Grease Reservoir (562899), Floor-Mounting 60:1 Reduction (563389), Outlet (1/2 HP, 230/460 VAC, 3-Phase, 60 Hz, 1,725 rpm) (557270), Individual Outputs (12 lb and 20 lb Grease, SPDT) (563322)
LM8554	20 lb Metal Grease Reservoir (562899), Floor-Mounting 60:1 Reduction (563389), Outlet (1/2 HP, 230/460 VAC, 3-Phase, 60 Hz, 1,140 rpm) (557273), Individual Outputs (12 lb and 20 lb Grease, SPDT) (563322)
LM9331	Power Prime Reservoir Assembly (562908), Floor-Mounting 10:1 Reduction (563388), Outlet (1/2 HP, 230/460 VAC, 3-Phase, 60 Hz, 1,725 rpm) (557270)
LM9511	Power Prime Reservoir Assembly (562908), Floor-Mounting 60:1 Reduction (563389)
LM9521	Power Prime Reservoir Assembly (562908), Floor-Mounting 60:1 Reduction (563389), Outlet (1/2 HP, 115/230 VAC, Single Phase, 60 Hz, 1,725 rpm) (557271)

Electric Pumps

LubeMaster®

LubeMaster Reservoirs	
562892	12 pt Plastic Oil Reservoir
562893	20 pt Plastic Oil Reservoir
562894	12 pt Metal Oil Reservoir
562895	20 pt Metal Oil Reservoir
562896	12 lb Plastic Grease Reservoir
562897	20 lb Plastic Grease Reservoir
562898	12 lb Metal Grease Reservoir
562899	20 lb Metal Grease Reservoir
562908	Overhead Supply Reservoir
LubeMaster Drive Option	
563383	Clutch Drive w/Arm
563386	10:1 Reduction, Wall-Mounting
563387	60:1 Reduction, Wall-Mounting
563388	10:1 Reduction, Floor-Mounting
563389	60:1 Reduction, Floor-Mounting
LubeMaster Motors	
557270	230/460 VAC, 1/2 HP, 3-Phase, 60 Hz, 1,725 rpm
557271	115/230 VAC, 1/2 HP, Single Phase, 60 Hz, 1,725 rpm
557272	115/230 VAC, 1/2 HP, Single Phase, 60 Hz, 1,140 rpm
557273	230/460 VAC, 1/2 HP, 3-Phase, 60 Hz, 1,140 rpm
LubeMaster Low Level Switches	
563015	12 pt Oil Low Level, SPDT, 10 watts
563016	20 pt Oil Low Level, SPDT, 10 watts
563316	12 pt Oil Low Level, SPDT, 15 amps
563317	20 pt Oil Low Level, SPDT, 15 amps
563322	12 and 20 lb Grease Low Level
564377	12 and 20 lb Grease Low Level, Exp Proof
LubeMaster Pressure Indicators	
563179	Standard Blowout, 1,450 psi, Oil
563184	Standard Blowout, 2,350 psi, Grease
563384	High-Pressure Blowout Switch, 1,450 psi, Oil
563385	High-Pressure Blowout Switch, 2,350 psi, Grease
LubeMaster Pressure Gauge	
557713	Liquid Filled Pressure Gauge, 0-3,000 psi
LubeMaster Spare Parts	
563380	Bare Pump
563915	Drive Repair Kit
563916	Output Manifold Kit - Standard
563921	Seal Repair Kit
563938	Output Manifold Kit - High Output
563962	Package of 6 Blowout Discs, Yellow, 1,450 psi, Oil
563965	Package of 6 Blowout Discs, Aluminum, 2,350 psi, Grease

Electric Pumps

LubeMaster®

LubeMaster Ordering Menu Code

NOTE: Utilize number code not lettered code from literature for ordering purposes.

	LM	-	X	-	X	-	X	-	X
Pump									
LM LubeMaster pump - 563380									
Reservoir Option									
1	OPA, 12 pt plastic oil reservoir - 562892	6	GPB, 20 lb plastic grease reservoir - 562897						
2	OPB, 20 pt plastic oil reservoir - 562893	7	GMA, 12 lb metal grease reservoir - 562898						
3	OMA, 12 pt metal oil reservoir - 562894	8	GMB, 20 lb metal grease reservoir - 562899						
4	OMB, 20 pt metal oil reservoir - 562895	9	OHS, power prime reservoir assembly - 562908						
5	GPA, 12 lb plastic grease reservoir - 562896								
Drive Option									
1	none	4	DOC, 10:1 reduction, wall-mounting - 563386						
2	DOA, clutch drive w/arm - 563383	5	DOD, 60:1 reduction, floor-mounting - 563389						
3	DOB, 10:1 reduction, floor-mounting - 563388	6	DOE, 60:1 reduction, wall-mounting - 563387						
Motor Option									
1	none								
2	MOA, 1/2 HP, 115/230 VAC, single phase, 60 Hz, 1,725 rpm - 557271								
3	MOB, 1/2 HP, 230/460 VAC, 3-phase, 60 Hz, 1,725 rpm - 557270								
4	MOC, 1/2 HP, 115/230 VAC, single phase, 60 Hz, 1,140 rpm - 557272								
5	MOD, 1/2 HP, 230/460 VAC, 3-phase, 60 Hz, 1,140 rpm - 557273								
Low Level Option									
1	LOO, none	4	LOC, 12 and 20 lb grease, SPDT - 563322						
2	LOA, 12 pt oil, SPDT, 15 amps - 563316	5	LOD, 12 pt oil, SPST, 10 watts - 563015						
3	LOB, 20 pt oil, SPDT, 15 amps - 563317	6	LOE, 20 pt oil, SPST, 10 watts - 563016						

Note: Drive Options 3, 4, 5 and 6 contains all required mounting hardware (mounting plate, coupler, coupler guard, nuts, bolts and washers).

Pricing: In order to obtain Menu pricing for LubeMaster components, a pump must be ordered with each drive option on the same purchase order. All drives ordered w/out a pump on the same purchase order will be treated as a spare part and priced accordingly.

Pressure Indicator Option (sold separately)

- POA - Standard Blowout, 1,450 psi (100 bar), Oil, 563179
- POB - Standard Blowout, 2,350 psi (162 bar) Grease, 563184
- POC - High-Pressure Blowout Switch, 1,450 psi (100 bar), Oil, 563384
- POD - High-Pressure Blowout Switch, 2,350 psi (162 bar), Grease, 563385

Electric Pumps

Miniature Meter-Flo®

Versatile All In One Pump Package

Designed for use with virtually any type of Series Progressive or Single Line Resistive oil lubrication system. The Miniature MeterFlo's rugged steel reservoir and motor assembly withstands the toughest applications. Capable of high volumetric output operating continuously at pressures up to 1,000 psi (69 bar).

- Compact with several options to create a complete system using feedback and control

Typical Applications

- Ideal for smaller series progressive systems requiring continuous lubrication

Lubrication Used

- Oil - 160-15,000 SUS

Technical Specifications

Output Volume per minute 1, 5, 8, 14 in³ (16, 82, 131, 229 cm³)
 Output Pressure 0-2,000 psi (0-138 bar)
 Material Metal, Rectangular
 Reservoir Size 1.5, 3, 5 gal (12, 24, 40 pint)
 Motor 115 VAC



MM2211

Ordering Information

Miniature Meter-Flo (MMF) Electric (Motor Driven) Pumps w/Reservoirs	
MM1111	1.5 gal Reservoir, 1 in ³ /min., 1,500 psi
MM1112	1.5 gal Res., 1 in ³ /min., 1,500 psi, Low Level Switch (Reed-Type, SPST)
MM1121	1.5 gal Reservoir, 1 in ³ /min., 1,500 psi, High-Pressure Switch
MM1122	1.5 gal Reservoir, 1 in ³ /min., 1,500 psi, High-Pressure Switch, Low Level Switch (Reed-Type, SPST)
MM1211	1.5 gal Res., 5 in ³ /min., 2,000 psi
MM1212	1.5 gal Res., 5 in ³ /min., 2,000 psi, Low Level Switch (Reed-Type, SPST)
MM1222	1.5 gal Res., 5 in ³ /min., 2,000 psi, High-Pressure Switch (Reed-Type, SPST)
MM1311	1.5 gal Reservoir, 8 in ³ /min., 2,000 psi
MM1312	1.5 gal Res., 8 in ³ /min., 2,000 psi, Low Level Switch (Reed-Type, SPST)
MM1322	1.5 gal Reservoir, 8 in ³ /min., 2,000 psi, High-Pressure Switch, Low Level Switch (Reed-Type, SPST)
MM1411	1.5 gal Reservoir, 14 in ³ /min., 1,500 psi
MM1412	1.5 gal Res., 14 in ³ /min., 1,500 psi, Low Level Switch (Reed-Type, SPST)
MM1422	1.5 gal Reservoir, 14 in ³ /min., 1,500 psi, High-Pressure Switch, Low Level Switch (Reed-Type, SPST)
MM2112	3 gal Reservoir, 1 in ³ /min., 1,500 psi, Low Level Switch (Reed-Type, SPST)
MM2122	3 gal Reservoir, 1 in ³ /min., 1,500 psi, High-Pressure Switch, Low Level Switch (Reed-Type, SPST)
MM2211	3 gal Reservoir, 5 in ³ /min., 2,000 psi
MM2212	3 gal Reservoir, 5 in ³ /min., 2,000 psi, Low Level Switch (Reed-Type, SPST)
MM2221	3 gal Reservoir, 5 in ³ /min., 2,000 psi, High-Pressure Switch
MM2222	3 gal Reservoir, 5 in ³ /min., 2,000 psi, High-Pressure Switch, Low Level Switch (Reed-Type, SPST)
MM2312	3 gal Reservoir, 8 in ³ /min., 2,000 psi, Low Level Switch (Reed-Type, SPST)
MM2322	3 gal Reservoir, 8 in ³ /min., 2,000 psi, High-Pressure Switch, Low Level Switch (Reed-Type, SPST)
MM2411	3 gal Reservoir, 14 in ³ /min., 1,500 psi

MM2412	3 gal Reservoir, 14 in ³ /min., 1,500 psi, Low Level Switch (Reed-Type, SPST)
MM2422	3 gal Reservoir, 14 in ³ /min., 1,500 psi, High-Pressure Switch, Low Level Switch (Reed-Type, SPST)
MM3112	5 gal Reservoir, 1 in ³ /min., 1,500 psi, Low Level Switch (Reed-Type, SPST)
MM3122	5 gal Reservoir, 1 in ³ /min., 1,500 psi, High-Pressure Switch, Low Level Switch (Reed-Type, SPST)
MM3211	5 gal Reservoir, 5 in ³ /min., 2,000 psi (Reed-Type, SPST)
MM3212	5 gal Reservoir, 5 in ³ /min., 2,000 psi, Low Level Switch (Reed-Type, SPST)
MM3312	5 gal, 8 in ³ /min., 2,000 psi, Low Level Switch
MM3322	5 gal Reservoir, 8 in ³ /min., 2,000 psi, High-Pressure Switch, Low Level Switch (Reed-Type, SPST)
MM3411	5 gal Reservoir, 14 in ³ /min., 1,500 psi
MM3412	5 gal Reservoir, 14 in ³ /min., 1,500 psi, Low Level Switch (Reed-Type, SPST)
MM3422	5 gal Reservoir, 14 in ³ /min., 1,500 psi, High-Pressure Switch, Low Level Switch (Reed-Type, SPST)

Miniature Meter-Flow (MMF) Spare Parts	
564412	MMF Assembly - Pump, Gearmotor, Reducer Assembly, 1 in ³ /min. Flowrate
564413	MMF Assembly - Pump, Gearmotor, Reducer Assembly, 5 in ³ /min. Flowrate
564414	MMF Assembly - Pump, Gearmotor, Reducer Assembly, 8 in ³ /min. Flowrate
564415	MMF Assembly - Pump, Gearmotor, Reducer Assembly, 14 in ³ /min. Flowrate
557286	Motor, 115 VAC
557293	Gear Box, 1 in ³ /min. (12.5:1)
557822	Gear Pump Only, 1 to 8 in ³ /min.
557821	Gear Pump Only, 14 in ³ /min.
557810	Suction Strainer
563558	Relief Valve
557825	Replacement Level Switch

Electric Pumps

Miniature Meter-Flo®

Miniature Meter-Flo Ordering Menu Code

NOTE: Utilize number code not lettered code from literature for ordering purposes.

MM - X - X - X - X

Reservoir Option

- 1 RA, 1.5 gallon reservoir
- 2 RB, 3 gallon reservoir
- 3 RC, 5 gallon reservoir

Pump / Flow Option (*)

- 1 PA, 1 cu.in. / minute (1,500 psi maximum operating pressure)
- 2 PB, 5 cu.in. / minute (2,000 psi maximum operating pressure)
- 3 PC, 8 cu.in. / minute (2,000 psi maximum operating pressure)
- 4 PD, 14 cu.in. / minute (1,500 psi maximum operating pressure)

Pressure Switch Option

- 1 SO, no pressure switch
- 2 SA, high pressure switch

Low Level Option

- 1 LO, no low level switch
- 2 LA, low level switch, reed-type, SPST - 563014

(*) All pump flow rates are based on 160 SUS (at 100 F) 10W oil, 70 F at 1,000 psi.

Example: Miniature Meterflo (MM) pump package consisting of a 3 gallon reservoir, 5 cu.in./minute pump output, high pressure switch and low level switch.
Ordering Code: MM2222

Electric Pumps

Meter-Flo®

Continuous Duty Durability

With its solid pump housing, these rugged gear pumps are designed for dependable operation in high demand applications. The gear pump is available with a direct-coupled 1/2 horsepower motor capable of 1,725 rpm's with output volumes of 245 cubic inches per minute. Eleven different pump models to choose from.

Typical Applications

- Ideal for applications requiring continuous oil delivery up to 1,000 lubrication points

Lubrication Used

- Oil - 300-3,000 SUS

Technical Specifications

Output Volume per minute. 14-245 in³ (230-4015 cm³)
 Max Output Pressure 300-1,500 psi (300-3,000 bar)
 Operating Temp 50° F to 150° F (10° C to 65.5° C)



563557

Ordering Information

Meter-Flo Pumps	
557814	9 in ³ /min. (147 cm ³ /min.) @ 1,140 rpm, 14 in ³ /min. (229 cm ³ /min.) @ 1,725 rpm, npt Ports, ccw
557819	9 in ³ /min. (147 cm ³ /min.) @ 1,140 rpm, 14 in ³ /min. (229 cm ³ /min.) @ 1,725 rpm, npt Ports, cw
557813	18 in ³ /min. (295 cm ³ /min.) @ 1,140 rpm, 30 in ³ /min. (492 cm ³ /min.) @ 1,725 rpm, npt Ports, ccw
557815	56 in ³ /min. (918 cm ³ /min.) @ 1,140 rpm, 84 in ³ /min. (1,377 cm ³ /min.) @ 1,725 rpm, npt Ports, ccw
558949	56 in ³ /min. (918 cm ³ /min.) @ 1,140 rpm, 84 in ³ /min. (1,377 cm ³ /min.) @ 1,725 rpm, npt Ports, cw
557816	76 in ³ /min. (1,245 cm ³ /min.) @ 1,140 rpm, 117 in ³ /min. (1,917 cm ³ /min.) @ 1,725 rpm, npt Ports, ccw
558950	76 in ³ /min. (1,245 cm ³ /min.) @ 1,140 rpm, 117 in ³ /min. (1,917 cm ³ /min.) @ 1,725 rpm, npt Ports, cw
557817	111 in ³ /min. (1,819 cm ³ /min.) @ 1,140 rpm, 168 in ³ /min. (2,753 cm ³ /min.) @ 1,725 rpm, npt Ports, ccw
558951	111 in ³ /min. (1,819 cm ³ /min.) @ 1,140 rpm, 168 in ³ /min. (2,753 cm ³ /min.) @ 1,725 rpm, npt Ports, cw
557818	26 in ³ /min. (426 cm ³ /min.) @ 1,140 rpm, 40 in ³ /min. (655 cm ³ /min.) @ 1,725 rpm, npt Ports, ccw
557820	161 in ³ /min. (2,638 cm ³ /min.) @ 1,140 rpm, 245 in ³ /min. (4,015 cm ³ /min.) @ 1,725 rpm, npt Ports, ccw
558955	161 in ³ /min. (2,638 cm ³ /min.) @ 1,140 rpm, 245 in ³ /min. (4,015 cm ³ /min.) @ 1,725 rpm, npt Ports, cw
558953	9 in ³ /min. (147 cm ³ /min.) @ 1,140 rpm, 14 in ³ /min. (229 cm ³ /min.) @ 1,725 rpm, sae Ports
558954	26 in ³ /min. (426 cm ³ /min.) @ 1,140 rpm, 40 in ³ /min. (655 cm ³ /min.) @ 1,725 rpm, sae Ports
Motor Option	
558895	1/2 HP, 115/230 VAC, 1,725 rpm, Single Phase

Repair Kits	
557997	MeterFlo Seal Kit - 540-800-XX1 Models
557998	MeterFlo Relief Valve Repair Kit - 540-800-XX1 Models
Meter-Flo Paddle Base and Pump Packages	
563557	Paddle Base w/Pump 557814
564411	Paddle Base w/Pump 557813
24N405	Paddle Base w/Pump 557815
24N406	Paddle Base w/Pump 557816
24N407	Paddle Base w/Pump 557817
24N408	Paddle Base w/Pump 557818
24N409	Paddle Base w/Pump 557820

Electric Pumps

Injecto-Flo® EO-1 and EO-3

Reliable Machine Tool Lubrication

EO-1 and EO-3

A cost effective, low pressure oil solution designed for use with any high volume, intermittent lubrication system. Can be used with Injecto-Flo II series piston distributor products. EO-1 is ideal for small to medium size single line parallel systems requiring intermittent metered lubrication with an electrically driven pump. EO-3 has integrated control and bright LED's to verify system operation. Built-in vent valve gets you up and working with piston distributors fast—no kits to purchase and assemble.

Typical Applications

- In-plant medium size machine tool lubrication applications

Typical Fluids Handled

- Oil - ISO 50-1500 (SUS 250-5000)

Technical Specifications

Power 115 VAC, 230 VAC
 Motor Speed..... 1,680 rpm @ 60 Hz, 1,340 rpm @ 50 Hz

EO-1

Pump Flow Rate 12 in³/min. (200 cm³/min.)
 Pressure..... 145-650 psi (10-45 bar)
 ReservoirPlastic, Rectangular
 Reservoir Size..... 6.3, 7.6, 12.6, 15.8 or 25.3 pint

EO-3

Pump Flow Rate8.5 in³/min. (140 cm³/min.)
 Pressure..... 350 psi (24 bar)
 Operating Temp 14° F to 120° F (-10° C to 49° C)
 ReservoirPlastic, Rectangular
 Reservoir Size..... 7.6 or 12.6 pint
 Manual..... 313839A

Ordering Information

Injecto-Flo EO-1 Pumps	
562837	Pump w/3 liter Plastic Reservoir, 115 VAC
24B427	Pump w/3 liter Plastic Reservoir, 230 VAC
562849	Pump w/3 liter Plastic Reservoir, 230 VAC
562838	Pump w/3.6 liter Plastic Reservoir, 230 VAC
562839	Pump w/6 liter Plastic Reservoir, 115 VAC
562840	Pump w/6 liter Plastic Reservoir, 230 VAC
562841	Pump w/6 liter Plastic Reservoir, 230 VAC
562842	Pump w/6 liter Plastic Reservoir, 230 VAC, Return Port
562843	Pump w/6 liter Metal Reservoir, 115 VAC
562844	Pump w/12 liter Metal Reservoir, 115 VAC
Injecto-Flo EO-3 Pumps	
562851	Pump w/3 liter Plastic Reservoir, 115 VAC, Remote Control
562850	Pump w/3 liter Plastic Reservoir, 115 VAC, Timer Control, Pressure Switch
562852	3.6 liter Plastic Reservoir, 115 VAC
562847	6 liter Reservoir, 115 VAC



562850



562839

Injecto-Flo EO-1 Spare Parts	
556015	Adjustable Relief Valve
556013	Gear Pump only
556016	Low Level Switch Assembly for 6 and 12 liter Reservoirs
556014	Suction Strainer
556011	115 VAC Motor
556012	230 VAC Motor
Low Level Switches	
556018	Low Level Switch
556019	Low Level Switch

Electric Pumps

Injecto-Flo® II

Durable Long Lasting Machine Tool Pump

Great versatility in a small package has many control options. A dependable high-quality gear pump for years of trouble-free operation combined with Injecto-Flo II piston distributor metering devices completes your oil or fluid grease lubrication system. Internal controller with LED alarms is easy to program for any application. Built-in vent valve gets you up and working with piston distributors fast—no kits to purchase and assemble.

Typical Applications

- Ideal solution for automatic lubrication on small and mid-sized machines

Typical Fluids Handled

- Oil - 50 to 100 cst
- Fluid Grease NLGI #000

Technical Specifications

Max Output Volume Per Minute

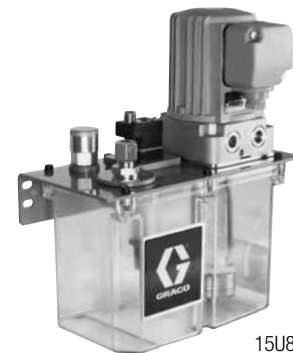
Oil 30.50 in³ (500 cm³)
 Grease 12.20 in³ (200 cm³)

Max Pressure

Oil 360 psi (25 bar)
 Grease 580 psi (40 bar)
 Power 230 VAC
 Reservoir Plastic, Rectangular
 Reservoir Size3, 6 liter



122895



15U858

Ordering Information

Injecto-Flo II Oil Pumps - 3 liter Reservoirs (no control), 230 VAC	
122545	0.2 lpm, Screw Cap
122546	0.2 lpm, Straight Connector (10 mm Pipe)
122547	0.5 lpm, Screw Cap
122548	0.5 lpm, Straight Connector (10 mm Pipe)
122549	0.2 lpm, Single w/DIN, Screw Cap
122550	0.2 lpm, Single w/DIN, Straight Connector (10 mm Pipe)
122551	0.5 lpm, Single w/DIN, Screw Cap
122552	0.5 lpm, Single w/DIN, Straight Connector (10 mm Pipe)
122553	0.2 lpm, Single w/M12 Top, Screw Cap
15U859	0.2 lpm, Single w/M12 Top, Straight Connector (10 mm Pipe)
122554	0.5 lpm, Single w/M12 Top, Screw Cap
122555	0.5 lpm, Single w/M12 Top, Straight Connector (10 mm Pipe)
122556	0.2 lpm, Dual w/DIN, Screw Cap
122557	0.2 lpm, Dual w/DIN, Straight Connector (10 mm Pipe)
122558	0.5 lpm, Dual w/DIN, Screw Cap
122559	0.5 lpm, Dual w/DIN, Straight Connector (10 mm Pipe)
122560	0.2 lpm, Dual w/M12 Top, Screw Cap
122561	0.2 lpm, Dual w/M12 Top, Straight Connector (10 mm Pipe)
122562	0.5 lpm, Dual w/M12 Top, Screw Cap
15U858	0.5 lpm, Dual w/M12 Top Straight Connector (10 mm Pipe)

Injecto-Flo II Oil Pumps - 6 liter Reservoirs (no control), 230 VAC	
122563	0.2 lpm, Screw Cap
122564	0.2 lpm, Straight Connector (10 mm Pipe)
122565	0.5 lpm, Screw Cap
122566	0.5 lpm, Straight Connector (10 mm Pipe)
122567	0.2 lpm, Single w/DIN, Screw Cap
122568	0.2 lpm, Single w/DIN, Straight Connector (10 mm Pipe)
564138	0.5 lpm, Single w/DIN, Screw Cap
122569	0.5 lpm, Single w/DIN, Straight Connector (10 mm Pipe)
122570	0.2 lpm, Single w/M12 Top, Screw Cap
122571	0.2 lpm, Single w/M12 Top, Straight Connector (10 mm Pipe)
122572	0.5 lpm, Single w/M12 Top, Screw Cap
122573	0.5 lpm, Single w/M12 Top, Straight Connector (10 mm Pipe)
122574	0.2 lpm, Dual w/DIN, Screw Cap
122575	0.2 lpm, Dual w/DIN, Straight Connector (10 mm Pipe)
122576	0.5 lpm, Dual w/DIN, Screw Cap
122577	0.5 lpm, Dual w/DIN, Straight Connector (10 mm Pipe)
122578	0.2 lpm, Dual w/M12 Top, Screw Cap
122579	0.2 lpm, Dual w/M12 Top, Straight Connector (10 mm Pipe)
122580	0.5 lpm, Dual w/M12 Top, Screw Cap
15U860	0.5 lpm, Dual w/M12 Top Straight Connector (10 mm Pipe)

Electric Pumps

Injecto-Flo® II

Ordering Information

Injecto-Flo II Fluid Grease Pumps - 3 liter Reservoirs (no control), 230 VAC	
122581	0.2 lpm, Screw Cap
563301	0.2 lpm, Straight Connector (10 mm Pipe)
122582	0.2 lpm, Single w/DIN, Screw Cap
122583	0.2 lpm, Single w/DIN, Straight Connector (10 mm Pipe)
122584	0.2 lpm, Single w/M12 Top, Screw Cap
122585	0.2 lpm, Single w/M12 Top, Straight Connector (10 mm Pipe)
122586	0.2 lpm, Dual w/DIN, Screw Cap
122587	0.2 lpm, Dual w/DIN, Straight Connector (10 mm Pipe)
122588	0.2 lpm, Dual w/M12 Top, Screw Cap
557547	0.2 lpm, Dual w/M12 Top, Straight Connector (10 mm Pipe)
Injecto-Flo II Fluid Grease Pumps - 6 liter Reservoirs (no control), 230 VAC	
122589	0.2 lpm, Screw Cap
122590	0.2 lpm, Straight Connector (10 mm Pipe)
122591	0.2 lpm, Single w/DIN, Screw Cap
122592	0.2 lpm, Single w/DIN, Straight Connector (10 mm Pipe)
122593	0.2 lpm, Single w/M12 Top, Screw Cap
122594	0.2 lpm, Single w/M12 Top, Straight Connector (10 mm Pipe)
122595	0.2 lpm, Dual w/DIN, Screw Cap
122596	0.2 lpm, Dual w/DIN, Straight Connector (10 mm Pipe)
122597	0.2 lpm, Dual w/M12 Top, Screw Cap
122598	0.2 lpm, Dual w/M12 Top, Straight Connector (10 mm Pipe)
Injecto-Flo II Oil Pumps w/Integrated Control	
122895	3 liter, 0.2 lpm, 230 VAC w/Time or Pulse, Manual Lube, Level Switch, Pressure Gauge, Pressure Switch, Green Light, Red Light, Screw Cap
122897	6 liter, 0.2 lpm, 230 VAC w/Time or Pulse, Manual Lube, Level Switch, Pressure Gauge, Pressure Switch, Green Light, Red Light, Screw Cap
122898	6 liter, 0.5 lpm, 230 VAC w/Time or Pulse, Manual Lube, Level Switch, Pressure Gauge, Pressure Switch, Green Light, Red Light, Screw Cap
Injecto-Flo II Fluid Grease Pumps w/Integrated Control	
122896	3 liter, 0.2 lpm, 230 VAC w/Time or Pulse, Manual Lube, Level Switch, Pressure Gauge, Pressure Switch, Green Light, Red Light, Screw Cap
122899	6 liter, 0.2 lpm, 230 VAC w/Time or Pulse, Manual Lube, Level Switch, Pressure Gauge, Pressure Switch, Green Light, Red Light, Screw Cap

Electric Pumps

Thrif-T Luber®

Low Pressure Orifice Lubrication

Big on features with a small price, the perfect fit for entry-level, Single Line Resistive orifice lubrication systems. A complete electric package includes pump, reservoir and integrated control (remote version optional) for fast and easy installation. Use with Thrif-T Luber orifice dispensers for a complete system.

Typical Applications

- Small machine tools

Lubrication Used

- Oil - 100-10,000 SUS

Technical Specifications

Max Output per Minute	0.42 in ³ (6.9 cm ³)
Max Output Pressure	150 psi (10 bar)
Operating Temp	0° F to 140° F (-18° C to 60° C)
Motor	115 VAC
Reservoir	4 pint (1.9 Liters)

Ordering Information

Thrif-T Luber Pumps w/Reservoir	
564068	TLEP-10 - Thrif-T Luber Electric Pump, 115 VAC Timer
564067	TLEP-11 - Thrif-T Luber Electric Pump, 115 VAC Remote
Thrif-T Luber Replacement Parts	
558031	Timer Replacement Board
563162	Replacement Relief Valve
564065	Replacement Pump
564439	Replacement Reservoir and Motor Housing
557641	Replacement Gearmotor, 115 VAC
557826	Replacement Low Level Switch
558296	0-300 psi gauge



Electric Pumps

Maxi-Flo™

Machine Tool Lubrication with System Monitoring

Compact design with everything you need to get your single line resistive oil lubrication system installed and running quickly. A standard package comes complete with reservoir, pump, gear motor, and choice of internal or remote control. Simple slide switches allow for easy setup of pump run cycle time. Bright LED indicators for low level and power allow for easy troubleshooting and verification.

- Integrated control with manual run button for easy setup
- Compact design fits anywhere
- 500 psi (34 bar) rating for using with various orifice metering devices

Typical Applications

- Small machine tools

Lubrication Used

- Oil - 60-30,000 SUS

Technical Specifications

Max Output per Stroke	0.01 in ³ (0.165 cm ³)
Pump Output Volume per Minute	12 rpm@60hz, 0.120 in ³ (1.97 cm ³)
	10 rpm@50hz, 0.100 in ³ (1.64 cm ³)
Max Output Pressure	500 psi (34 bar)
Operating Temp	0° F to 140° F (-18° C to 60° C)
Material	Plastic, Rectangular
Reservoir Size	4 pints (1.9 liters)
Motor	115 VAC, 50/60 hz



563379

Ordering Information

Maxi-Flo Packages	
563379	115 VAC, 4 pt Plastic Rectangular Oil Reservoir, Solid State Timer Control
563376	115 VAC, 4 pt Plastic Rectangular Oil Reservoir, Remote Control
Accessories	
564376	High Pressure Switch
558899	Gauge, 0-1,000 psi
Replacement Parts	
558031	Timer Replacement Board, 115 VAC
557641	Replacement 115 VAC Gearmotor
563374	Replacement Pump
557826	Replacement Low Level Switch
563930	Replacement Reservoir/Timer Housing Kit
563375	Replacement Relief Indicator

Pneumatic Pumps

LubePro™

Built to Last. Built to Perform.

For nearly 50 years, Graco Fire-Ball™ pumps have been a mainstay in the lubrication marketplace for durability and long life. LubePro™ series pumps leverage the same proven quality and leading technology, offering a robust solution where high output and fast lubrication cycles and flow rates are needed to optimally lubricate equipment while it's working.

Features and Benefits

- High-strength, shatter-resistant reservoir
- Easy to install utilizing existing mounting holes
- Fast cycle rate and flow
- Integrated vent automatically relieves pressure on return stroke
- Pneumatic power – easily installed into existing air line

Typical Applications

- Packaging
- Glass Manufacturing
- Tire Production
- Thermoforming
- Injection Molding
- Paper Production
- Labelers
- Automation Machinery
- Presses

Lubrication Used

- 40 cSt oil minimum
- NLGI #000 to NLGI #2 grease

Technical Specifications

	A900	H1900	A1900	A2600
Fluid Handling Capabilities	40 cSt oil minimum	40 cSt oil minimum	40 cSt oil minimum	Up to #2 grease
Maximum Working Pressure	1,350 psi (93.1 bar)		3,500 psi (241 bar)	
Pressure Ratio	9:1	19:1	19:1	26:1
Pump Output Per Stroke	1.5 in ³ (24.58 cm ³)	3.0 in ³ (49.16 cm ³)	3.0 in ³ (49.16 cm ³)	2.2 in ³ (36.05 cm ³)
Reservoir Capacity	2.8 liters (170.9 in ³)	–	2 liters (122 in ³)	2 liters (122 in ³)
Maximum Air Inlet Pressure	150 psi (10.3 bar)	185 psi (12.8 bar)	185 psi (12.8 bar)	135 psi (9.3 bar)
Air Inlet Size	1/4 in.-18 NPSF		1/4 in. NPT	
Fluid Outlet Size	1/4 in.-18 NPT		3/4 in. NPT	
Operating Temperature	-4° F - 149° F (-20° C - 65° C)		14° F - 149° F (-10° C - 65° C)	

Ordering Information

Pump Model	Fluid	Pressure Ratio	NPT		BSPP	
			Pump Only	With Low Level Indicator	Pump Only	With Low Level Indicator
A900	Oil	9:1	24X717	24X694	–	–
H1900	Oil	19:1	24Y498	24Y499	25Y498	25Y499
A1900	Oil	19:1	17C753	17C752 (NO)	18C753	18C752 (NO)
				19C752 (NC)		20C752 (NC)
A2600	Grease	26:1	17C750	17C751 (NO)	18C750	18C751 (NO)
				19C751 (NC)		20C751 (NC)

LubePro™ Accessories	
128305	4-way air valve, 12 VDC
128254	4-way air valve, 24 VDC
128255	4-way air valve, 110 VAC
128257	4-way air valve, 220 VAC
560734	Air valve reservoir mounting bracket

24Y079	Installation kit – 12 VDC air valve, bracket, air lines, fittings
24Y080	Installation kit – 24 VDC air valve, bracket, air lines, fittings
24Y081	Installation kit – 110 VAC air valve, bracket, air lines, fittings
24Y082	Installation kit – 220 VAC air valve, bracket, air lines, fittings



Pneumatic Pumps

Modu-Flo®

Features and Benefits

Mix and match pumps, reservoir and manifolds in any configuration to meet any application. Replace the pump or reservoir without disconnecting lubrication lines.

- Easy to standardize on components and reduce inventory
- Adjustable pump output for fast, convenient customizing

Typical Applications

- In plant machinery, presses and mixers

Lubrication Used

- Oil and Grease up to NLGI #2

Technical Specifications

Output per Stroke

AL-5	0.01-0.03 in ³ (0.16-0.49 cm ³)
AL-25	0.03-0.12 in ³ (0.49-1.96 cm ³)
AL-50	0.06-0.24 in ³ (0.94-3.93 cm ³)
Max Strokes per Minute	30
Max Output Pressure	3,500 psi (241 bar)
Ratio	30:1

Ordering Information

Modu-Flo Pumps w/out Reservoirs	
563304	AL-5, Pneumatic 30:1, 0.010-0.030 in ³ /stroke, 0.164-0.492 cm ³
563306	AL-25, Pneumatic 30:1, 0.030-0.120 in ³ /stroke, 0.492-1.966 cm ³
563308	AL-50, Pneumatic 30:1, 0.060-0.240 in ³ /stroke, 0.938-3.933 cm ³
Modu-Flo Pump Assembly Repair Kits	
563902	AL-5, Single or Double Acting Repair Kit
563903	AL-25, Single or Double Acting Repair Kit
563904	AL-50, Single or Double Acting Repair Kit
563337	Modu-Flo Pump Mounting Kit - Mounting Screws, O-Rings
Modu-Flo Manifold Assemblies and Accessories	
563329	Pump/Reservoir Manifold only (npt)
563324	Pump/Reservoir Manifold (npt) w/Outlet Check Valve, System Fill Check Valve, Blowout Assembly, 0-3,000 psi Pressure Gauge
563331	Pump/Reservoir Manifold (npt) w/Outlet Check Valve, System Fill Check Valve, Tubed Blowout Assembly, 0-3,000 psi Pressure Gauge
563355	Pump/Reservoir Manifold (sae) w/Outlet Check Valve, System Fill Check Valve, Blowout Assembly, Pressure Gauge
563323	Remote Pump Manifold (npt) w/Outlet Check Valve, System Fill Check Valve, Blowout Assembly
563330	Remote Pump Manifold (npt) w/Outlet Check Valve, System Fill Check Valve, Tubed Blowout Assembly
Modu-Flo Oil Reservoirs	
562891	5 pt Plastic Cylindrical Reservoir
562904	6 pt Plastic Cylindrical Reservoir
562889	12 pt Plastic Cylindrical Reservoir
562890	20 pt Plastic Cylindrical Reservoir
563319	12 pt Tank
563320	24 pt Tank
563321	40 pt Tank



Pump package shown with oil reservoir



Pump package shown with grease reservoir

Pneumatic Pumps

Modu-Flo®

Ordering Information

Modu-Flo Grease Reservoirs	
562910	3 lb Plastic Cylindrical Reservoir
562911	3 lb Plastic Cylindrical Reservoir w/Low Level Switch Actuator (order separately)
562888	5 lb Plastic Cylindrical Reservoir
562905	6 lb Plastic Cylindrical Reservoir
562884	12 lb Plastic Cylindrical Reservoir
562885	20 lb Plastic Cylindrical Reservoir
564264	5 lb Metal Cylindrical Reservoir
562906	6 lb Metal Cylindrical Reservoir
562886	12 lb Metal Cylindrical Reservoir
562887	20 lb Metal Cylindrical Reservoir
Modu-Flo Low Level Switch Assemblies	
563316	15 amp Low Level Switch for 5 and 12 pt Cylindrical Oil Reservoirs, SPDT
563318	15 amp Low Level Switch for 6 pt Cylindrical Oil Reservoirs and all Tank Reservoirs, SPDT
563317	15 amp Low Level Switch for 20 pt Cylindrical Oil Reservoirs, SPDT
563014	10 watt Low Level Switch for 6 pt Cylindrical Oil Reservoirs and all Tank Reservoirs, SPST
563015	10 watt Low Level Switch for 5 and 12 pt Cylindrical Oil Reservoirs, SPST
563016	10 watt Low Level Switch for 20 pt Cylindrical Oil Reservoirs, SPST
564322	10 watt Low Level Switch for 12, 24 and 40 pt Tanks, Dual SPST
563322	Low Level Switch for 5, 6, 12 and 20 pt Cylindrical Grease Reservoirs
557825	Replacement Low Level Switch for 563014, 563015, 563016
557781	Replacement Low Level Switch for 563322
Modu-Flo Pressure Switch Assemblies	
557829	Pressure Switch for all Reservoirs
563325	High Pressure Blowout Switch for 5 pt or 5 lb Reservoirs
563326	High Pressure Blowout Switch for 12 and 20 pt or 12 and 20 lb Reservoirs
563327	High Pressure Blowout Switch for all Rectangular Reservoirs
Modu-Flo Solenoid Valves	
563315	3-Way Pneumatic Solenoid Valve, 115 VAC
563332	3-Way Pneumatic Solenoid Valve, 24 VDC
Modu-Flo Timer/Controller	
563339	Solid State AC Timer for all Tanks
563340	Solid State AC Timer for 5 pt and 5 lb Cylindrical Reservoirs
563341	Solid State AC Timer for 6, 12 and 20 pt, 6, 12 and 20 lb Cylindrical Reservoirs

Pneumatic Pumps

E-Series™

Designed for Reliability

The E-Series pump is a great, minimum cost, entry level alternative to standard pneumatic pump products. This all-in-one pump package comes complete with no assembly required and is easy to install. All pump packages include high-pressure rupture disc assembly and lube outlet check valve. The E-Series offers many reservoir options for either grease or oil. Great for any application where price is a concern and installation time is at a premium.

- Easy field installation of accessories without disturbing existing plumbing
- Smart pump design with few moving parts ensures long-lasting dependability

Typical Applications

- Presses and other In plant machines

Lubrication Used

- Oil up to 30,000 SUS
- Grease up to NLGI #2

Technical Specifications

Output per Stroke	0.03 in ³ (0.49 cm ³)
Max Output Pressure	2,000 psi (138 bar)
Ratio	20:1
Reservoir Material	Plastic, Cylindrical or Rectangular
Reservoir Size	3 and 6 lb (1.36 kg and 2.72 kg), 4 pt (1.89 liter)
Air Pressure	40-150 psi
Cycle Rate	10 CPM grease, 30 CPM oil

Ordering Information

E-Series Assemblies w/Fixed Output Pump	
563365	E-Series Pump w/3 lb (1.36 kg) Plastic Cylindrical Grease Reservoir, Low Level Switch, Pressure Gauge
563363	E-Series Pump w/6 lb (2.72 kg) Plastic Cylindrical Grease Reservoir with 2350 psi (162 bar) Rupture Disc
563364	E-Series Pump w/6 lb (2.72 kg) Plastic Cylindrical Grease Reservoir, Low Level Switch with 2350 psi (162 bar) Rupture Disc
563361	E-Series Pump w/4 pt (1.89 liter) Plastic Rectangular Oil Reservoir
563362	E-Series Pump w/4 pt (1.89 liter) Plastic Rectangular Oil Reservoir, Low Level Switch
E-Series Components	
563358	Pump only - with 1750 psi (121 bar) Rupture Disc
563367	Adjustable Output Pump .01- 0.03 in ³ (0.16-0.49 cm ³) (*not fitted with Rupture Disc Assembly)
E-Series Oil Reservoirs	
563359	4 pt (1.89 liter) Plastic Rectangular Reservoir
562891	5 pt (2.36 liter) Plastic Cylindrical Reservoir
562904	6 pt (2.84 liter) Plastic Cylindrical Reservoir
562889	12 pt (5.67 liter) Plastic Cylindrical Reservoir
562890	20 pt (9.45 liter) Plastic Cylindrical Reservoir
564375	40 pt (18.93 liter) Cylindrical - Plastic
563319	12 pt (5.67 liter) Rectangular - Metal
563320	24 pt (11.36 liter) Rectangular - Metal
563321	40 pt (18.93 liter) Rectangular - Metal



563365

Pneumatic Pumps

E-Series™

Ordering Information

E-Series Grease Reservoirs	
562910	3 lb (1.36 kg) Plastic Cylindrical Reservoir
562888	5 lb (2.26 kg) Plastic Cylindrical Reservoir
564264	5 lb (2.26 kg) Metal Cylindrical Reservoir
562905	6 lb (2.71 kg) Plastic Cylindrical Reservoir
562906	6 lb (2.71 kg) Metal Cylindrical Reservoir
562884	12 lb (5.42 kg) Plastic Cylindrical Reservoir
562886	12 lb (5.42 kg) Metal Cylindrical Reservoir
562885	20 lb (9.04 kg) Plastic Cylindrical Reservoir
562887	20 lb (9.04 kg) Metal Cylindrical Reservoir
E-Series Low Level Options - Not available for 3 lb Cylindrical Reservoirs	
563378	10 watt Low Level Switch for 4 pt (1.89 liter) Rectangular Oil Reservoirs
563015	10 watt Low Level Switch for 5 pt (2.36 liter) and 12 pt (5.67 liter) Cylindrical Oil Reservoirs
563016	10 watt Low Level Switch for 20 pt (9.46 liter) Cylindrical Oil Reservoirs
563316	15 amp Low Level Switch for 5 pt (2.37 liter) and 6 pt (2.84 liter) Cylindrical Oil Reservoirs
563317	15 amp Low Level Switch for 20 pt (9.45 liter) Cylindrical Oil Reservoirs
563322	15 amp Low Level Switch for all Grease Reservoirs
557826	10 watt Replacement Switch
557781	15 amp Replacement Switch
E-Series Accessories - For Field Installation	
563315	3-Way Modular Pneumatic Valve - 115 VAC
563332	3-Way Modular Pneumatic Valve - 24 VDC
563909	Pump Repair Kit (fixed output)
563945	Pump Repair Kit (adjustable E-Series Pump)

Pneumatic Pumps

MSA-10™ and MSA-100™

Durable In-Line Pumps

MSA Series products are used together with main lubrication supply lines where the pump is fed directly with no additional reservoir required. No reservoir makes the MSA Series ideal for locations that are difficult to reach or undesirable to enter. Use the MSA-10 for standard applications and the MSA-100 when high operating pressures and larger outputs are required.

- Ideal for applications where space is a premium
- Handles high pressure lubricant feed of direct line intake
- Used with or without a reservoir for the ultimate flexibility

Typical Applications

- In-plant manufacturing presses, machinery and processing equipment

Lubrication Used

- Oil and Grease up to NLGI #2

Technical Specifications

MSA-10

Material	Steel
Output per Stroke	.04-.120 in ³ (.66-1.97 cm ³)
Max Pump Stroke per Minute	Single-Acting - 15 Double-Acting - 60
Max Output Pressure	3,000 psi (207 bar)
Air Pressure	40-150 psi
Max Lube Inlet	500 psi (34 bar)
Ratio	25:1

MSA-100

Material	Aluminum
Seals	Buna-N and Fluoroelastomer
Output per Stroke	.400-.800 in ³ (6.57-13.11 cm ³)
Max Pump Stroke per Minute	Single-Acting - 15 Double-Acting - 30
Max Output Pressure	3,000 psi (207 bar)
Air Pressure	60-140 psi
Max Lube Inlet	500 psi (34 bar)
Ratio	25:1

*Supplied with Rupture-to-Atmosphere Indicator rated to 1,450 psi (100) (standard)

Ordering Information

MSA Pumps	
562854	MSA-10 Air Operated Pump
562855	MSA-100 Air Operated Pump
MSA Kits	
563912	MSA-10 Repair Parts Kit
563913	MSA-100 Repair Parts Kit
MSA Restrictor Valve	
563072	Air Inlet Restrictor Valve for MSA-10 and MSA-100



MSA-10, 562854



MSA-100, 562855

Pneumatic Pumps

Injecto-Flo® AO-1

Compact Air-Operated Oil Pump

The AO-1 pneumatic pumps are compact in size to fit into any application, but deliver higher pump output rates with its short pump off time between cycles. Great for applications using piston distributors for oil lubrication. Several reservoir sizes and materials to choose from. Has built-in vent valve to get you up and running fast.

Typical Applications

- Small to medium machine tools

Lubrication Used

- Oil (250-5,000 SUS)

Technical Specifications

Output per Stroke (single shot only)	0.80 in ³ (13 cm ³)
Max Output Pressure	450 psi (31 bar)
Ratio	4.5:1
Reservoir Material	Plastic or Metal, Rectangular
Reservoir Size	4 pt (1.89 liter) or 10 pt (4.73 liter)
Minimum On-Time5 seconds
Minimum Off-Time15 seconds

Ordering Information

Injecto-Flo AO-1 Pumps	
562845	Pump, 4 pt (1.89 liter) Plastic Rectangular Reservoir
562846	Pump, 10 pt (4.73 liter) Metal Rectangular Reservoir
Low Level Switches	
556018	Low Level Switch
556019	Low Level Switch



562845

Pneumatic Pumps

LubriSystem®

Air Operated Pump for Single Line Parallel Systems

Easy to design, modify and adjust for oil or grease applications large or small. Great for operation of piston distributors. Rugged construction maximizes your productivity—upgrading to the internal timer control completely automates the system. All packages include internal pressure relief, so no need to install extra parts with additional costs. Combine with LubriSystem injectors for easy, low cost system design solutions.

- Ability to serve large systems—up to 100 lube points or more
- Efficient design promotes increase productivity and less downtime
- Several reservoir choices for both oil and grease applications

Typical Applications

- In plant equipment and machinery

Lubrication Used

- Oil and Grease up to NLGI #1

Technical Specifications

Output per Stroke	1.5 in ³ (24.6 cm ³)
Max Output Pressure	360-1,350 psi (25-93 bar)
Air Inlet Pressure	40-150 psi (3-10 bar)
Ratio	9:1
Reservoir Material	Plastic, Cylindrical
Reservoir Size	6 lb (2.72 kg), 12 lb (5.44 kg) or 20 lb (9.06 kg), 6 pt (2.84 liter), 12 pt (5.68 liter) or 20 pt (9.46 liter)



563575

Ordering Information

LubriSystem Pump w/out Reservoir	
563579	Standard Pump
LubriSystem Standard Oil Pumps	
563574	LubriSystem Pump w/6 pt (2.84 liter) Plastic Cylindrical Reservoir
563575	LubriSystem Pump w/12 pt (5.68 liter) Plastic Cylindrical Reservoir
563576	LubriSystem Pump w/20 pt (9.46 liter) Plastic Cylindrical Reservoir
563577	LubriSystem Pump w/6 pt (2.84 liter) Plastic Cylindrical Reservoir, 10 watt Low Level Switch
563578	LubriSystem Pump w/12 pt (5.68 liter) Plastic Cylindrical Reservoir, 10 watt Low Level Switch
LubriSystem Standard Air Operated Pumps Reservoir Assemblies	
563571	LubriSystem Pump w/6 lb (2.72 kg) Plastic Cylindrical Reservoir
563572	LubriSystem Pump w/6 lb (2.72 kg) Plastic Cylindrical Reservoir, Low Level Switch
563573	LubriSystem Pump w/12 lb (5.44 kg) Plastic Cylindrical Reservoir, Low Level Switch
LubriSystem Plastic Oil Reservoirs	
562892	12 pt (5.68 liter) Reservoir
562893	20 pt (9.46 liter) Reservoir
LubriSystem Plastic Grease Reservoirs	
562907	6 lb (2.72 kg) Reservoir
562896	12 lb (5.44 kg) Reservoir
562897	20 lb (9.06 kg) Reservoir

LubriSystem Low Level Switches - Oil Reservoirs only	
563014	10 watt Low Level Switch for 6 pt (2.84 liter) Reservoirs
563015	10 watt Low Level Switch for 12 pt (5.68 liter) Reservoirs
563016	10 watt Low Level Switch for 20 pt (9.46 liter) Reservoirs
563318	15 amp Low Level Switch for 6 pt (2.84 liter) Reservoirs
563316	15 amp Low Level Switch for 12 pt (5.68 liter) Reservoirs
563317	15 amp Low Level Switch for 20 pt (9.46 liter) Reservoirs
LubriSystem Low Level Switches - Grease Reservoirs only	
563322	15 amp Low Level Switch for all Grease Reservoirs
LubriSystem Solenoid Valves	
563315	115 VAC Solenoid Valve
563332	24 VDC Solenoid Valve
LubriSystem Solid State Timer	
562872	Solid State Timer, 115 VAC
557925	DC Timer
LubriSystem Repair Kits	
563762	Standard Pump Repair/Rebuild Kit - includes Pump Diaphragm

Manual Pumps

Grease Gun

Features and Benefits

A simple, compact, cost-effective way to deliver oil or grease. Ideal for purging existing centralized systems when changing lubrication or performing maintenance.

- Ideal for troubleshooting and system testing
- Handy carrying case for easy portability

Lubrication Used

- Oil and Grease

Technical Specifications

Output per Stroke 0.09 cu.in. (1.5 cc)
Pressure Rating 5,000 psi (345 bar)
Reservoir Capacity 1 pint (500 cc), 1 lb (0.453 kg) or use 14-14.5 oz grease cartridge
Pump body and Reservoir Material Steel
Storage Case Material. HDPE Plastic

Ordering Information

Manual Grease Gun	
562857	Pump package with carrying case
558959	Wall mount bracket
200389	6 inch rigid extension



562857

Manual Pumps

PH Pump™

Versatile and Tough

Built with aluminum and steel components to meet the high standards of performance and quality you expect from Graco products. Available with a choice of standard clear plastic or metal Modu-Flo reservoirs for either oil or grease. Modular pump/reservoir design plus built-in features enable the PH Manual Pump to be customized for a wide range of applications.

- Built-in volume indicator provides easy verification that lubricant is being delivered to the system and that divider valves are completing lube cycles
- Wide applicability is provided by an optional two-outlet valve that mounts under the pump outlet. This valve allows the pump to serve two different systems or to supply one separate manual reversing system.
- Single-acting positive displacement pump design minimizes the number of moving and wearing parts for extended pump life and reduced maintenance
- Built-in automatic relief valve protects system components from over-pressure
- Built-in outlet check valve prevents back pressure from damaging pump and minimizes chance for contaminants to get into the pump or the lube supply



564384

Typical Applications

- In-plant equipment and machinery

Lubrication Used

- Oil and Grease

Technical Specifications

Pump Output	.0.150 cu.in. (2.46 cm3) per full stroke
Maximum Operating Pressure	3,000 psi (207 bar)
High Pressure Protection Relief Valve	Set @ 2,500 psi (172 bar)
Force to Operate Handle	29 lb (13.14 kg) per 1,000 psi @ rated pressure
Reservoir Capacities	5 pint (2.37 liter) or 5 lb (2.27 kg), 6 pint (2.84 liter) or 6 lb (2.72 kg), 12 pint (5.68 liter) or 12 lb (5.44 kg), 20 pint (9.46 liter) or 20 lb (9.06 kg)

Ordering Information

PH Pump	
563393	Pump (w/out reservoir)
564378	Pump w/5 pint (2.37 liter) Plastic Cylindrical Oil Reservoir
564379	Pump w/5 lb. (2.27 kg) Plastic Cylindrical Grease Reservoir
564381	Pump w/5 lb. (2.27 kg) Metal Cylindrical Grease Reservoir
564389	Pump w/6 lb. (2.72 kg) Plastic Cylindrical Grease Reservoir
564383	Pump w/12 lb. (5.44 kg) Plastic Cylindrical Grease Reservoir
564386	Pump w/20 lb. (9.06 kg) Plastic Cylindrical Grease Reservoir
564385	Pump w/20 pint (9.46 liter) Plastic Cylindrical Oil Reservoir
564384	Pump w/12 lb. (5.44 kg) Metal Cylindrical Grease Reservoir
564387	Pump w/6 pint (2.84 liters) Plastic Cylindrical Oil Reservoir
564365	Two-Outlet Valve
557864	3,000 psi (207 bar) Pressure Gauge
563160	Automatic 2,500 psi (172 bar) Relief Valve
558906	Coupler for Grease Fill Stud

Manual Pumps

LubriSystem®

Features and Benefits

The LubriSystem hand pump package offers versatility for use in any application, large or small. Great for operation with Injectors or Piston Distributors, with oil or grease. Sturdy construction of aluminum and steel to provide years of service. Compact design can be used in areas where space is limited. Rugged bracket allows the pump package to be mounted in place in any applications.

- Bracket-mount design for easy installation
- Rugged design for years of operation
- Built-in pressure venting for use with injectors

Typical Applications

- General machinery lubrication where power is limited or not available

Lubrication Used

- Oil
- Grease up to NLGI #1

Technical Specifications

Output per Stroke	0.125 in ³ (2 cm ³)
Output Pressure	3,000 psi (207 bar)
Force to Operate Handle20 lb (9 kg) per 1,000 psi (69 bar)
Reservoir	Plastic, Cylindrical
Reservoir Size.	6 pint (2.84 liter) or 6 lb (2.72 kg), 12 pint (5.68 liter) or 12 lb (5.44 kg), 20 pint (9.46 liter) or 20 lb (9.06 kg)



564422

Ordering Information

LubriSystem Hand-Operated Pumps	
564419	Hand Pump w/12 pt (5.86 liter) Plastic Oil Reservoir, 3,000 psi Gauge
564420	Hand Pump w/20 pt (9.46 liter) Plastic Oil Reservoir, 3,000 psi Gauge
564421	Hand Pump w/6 lb (2.72 kg) Plastic Grease Reservoir, 3,000 psi Gauge
564422	Hand Pump w/12 lb (5.44 kg) Plastic Grease Reservoir, 3,000 psi Gauge
564423	Hand Pump w/20 lb (9.06 kg) Plastic Grease Reservoir, 3,000 psi Gauge
LubriSystem Hand-Operated Pump Components	
563580	Hand Pump Body w/out Reservoir
LubriSystem Hand-Operated Pump Pressure Gauge	
557864	3,000 psi Gauge
LubriSystem Hand-Operated Pump Reservoirs	
562904	6 pt (2.84 liter) Plastic Oil Reservoir
562889	12 pt (5.68 liter) Plastic Oil Reservoir
562890	20 pt (9.46 liter) Plastic Oil Reservoir
562905	6 lb (2.72 kg) Plastic Grease Reservoir
562884	12 lb (5.44 kg) Plastic Grease Reservoir
562885	20 lb (9.06 kg) Plastic Grease Reservoir

Manual Pumps

Thrif-T Luber®

Features and Benefits

A simple and effective positive displacement pump that delivers up to 0.50 cubic inches per stroke. Compact design easily mounts on any piece of equipment. A spring return drives the piston for controlled lubrication delivery.

- Modular system design allows configurations to work in all applications
- Easy to standardize on components and reduce inventory
- Adjustable pump output for fast, convenient customizing

Typical Applications

- Small machine tools

Lubrication Used

- Oil (100-10,000 SUS)

Technical Specifications

Output per Stroke	0.50 in ³ (8.2 cm ³)
Output Pressure	75 psi (5 bar)
Operating Temp	0° F to 140° F (-17.8° C to 60° C)
Reservoir Size4 pt (1.89 liter)

Ordering Information

Thrif-T Lube Pump

564012	TLMP-00 - Thrif-T Luber Manual Pump, Standard
--------	---



564012

Mechanical Pumps

LubeMaster® Ratchet Drive Pump

Features and Benefits

Lubricates only while the machine is running! The LubeMaster Clutch Drive is a rugged, reliable pump powered mechanically by the machine using the lubrication. This pump is ideal for applications where lubrication cycles vary and are unpredictable.

- Rugged design for harsh-duty applications
- Mechanical link to machine—lubricates only while machine is running
- No separate power supply required

Typical Applications

- Presses, Banbury mixers, rubber mills, upsetters, heading machines, crane trolleys

Lubrication Used

- Oil and Grease up to NLGI #2



LM5214

Technical Specifications

Min./Max. Pump Output Chart				Output Per Hour	
Degrees of Throw	Effective Ratio	Impulses Per Minute	Pump Strokes Per Hour	Minimum	Maximum
12°	30:1	5 Min.	10	.100 in ³ (1.639 cm ³)	.500 in ³ (8.195 cm ³)
60°	6:1	150 Max.	1500	15.00 in ³ (245.85 cm ³)	75.00 in ³ (1229.25 cm ³)

Ordering Information

LubeMaster	
LM6214	20 lb (9.06 kg) Plastic Grease Reservoir (562897), Clutch Drive w/Arm (563383), Individual Outputs (12 lb / 5.44 kg and 20 lb / 9.06 kg Grease, SPDT) (563322)
LM8211	20 lb (9.06 kg) Metal Grease Reservoir (562899), Clutch Drive w/Arm (563383)
LM4211	20 pt (9.46 liter) Metal Oil Reservoir (562895), Clutch Drive w/Arm (563383)
LM7211	12 lb (5.44 kg) Metal Grease Reservoir (562898), Clutch Drive w/Arm (563383)
LM5211	12 lb (5.44 kg) Plastic Grease Reservoir (562896), Clutch Drive w/Arm (563383)
LM5214	12 lb (5.44 kg) Plastic Grease Reservoir (562896), Clutch Drive w/Arm (563383), Individual Outputs (12 lb / 5.44 kg and 20 lb / 9.06 kg Grease, SPDT) (563322)

Mechanical Pumps

LubeMaster® Ratchet Drive Pump

LubeMaster Ordering Menu Code

NOTE: Utilize number code not lettered code from literature for ordering purposes.

	LM	-	X	-	X	-	X	-	X
Pump									
LM LubeMaster pump - 563380									
Reservoir Option									
1	OPA, 12 pt plastic oil reservoir - 562892	6	GPB, 20 lb plastic grease reservoir - 562897						
2	OPB, 20 pt plastic oil reservoir - 562893	7	GMA, 12 lb metal grease reservoir - 562898						
3	OMA, 12 pt metal oil reservoir - 562894	8	GMB, 20 lb metal grease reservoir - 562899						
4	OMB, 20 pt metal oil reservoir - 562895	9	OHS, power prime reservoir assembly - 562908						
5	GPA, 12 lb plastic grease reservoir - 562896								
Drive Option									
1	none	4	DOC, 10:1 reduction, wall-mounting - 563386						
2	DOA, clutch drive w/arm - 563383	5	DOD, 60:1 reduction, floor-mounting - 563389						
3	DOB, 10:1 reduction, floor-mounting - 563388	6	DOE, 60:1 reduction, wall-mounting - 563387						
Motor Option									
1	none								
2	MOA, 1/2 HP, 115/230 VAC, single phase, 60 Hz, 1,725 rpm - 557271								
3	MOB, 1/2 HP, 230/460 VAC, 3-phase, 60 Hz, 1,725 rpm - 557270								
4	MOC, 1/2 HP, 115/230 VAC, single phase, 60 Hz, 1,140 rpm - 557272								
5	MOD, 1/2 HP, 230/460 VAC, 3-phase, 60 Hz, 1,140 rpm - 557273								
Low Level Option									
1	LOO, none	4	LOC, 12 and 20 lb grease, SPDT - 563322						
2	LOA, 12 pt oil, SPDT, 15 amps - 563316	5	LOE, 12 pt oil, SPST, 10 watts - 563015						
3	LOB, 20 pt oil, SPDT, 15 amps - 563317	6	LOF, 20 pt oil, SPST, 10 watts - 563016						

Note: Drive Options 3, 4, 5 and 6 contains all required mounting hardware (mounting plate, coupler, coupler guard, nuts, bolts and washers).

Pricing: In order to obtain Menu pricing for LubeMaster components, a pump must be ordered with each drive option on the same purchase order. All drives ordered w/out a pump on the same purchase order will be treated as a spare part and priced accordingly.

Pressure Indicator Option (sold separately)

- POA - Standard Blowout, 1450 psi (100 bar), Oil, 563179
- POB - Standard Blowout, 2350 psi (162 bar) Grease, 563184
- POC - High-Pressure Blowout Switch, 1450 psi (100 bar), Oil, 563384
- POD - High-Pressure Blowout Switch, 2350 psi (162 bar), Grease, 563385

Mechanical Pumps

MLS Series™

Simple Installation and Operation

MLS Mechanical Lube Pumps are designed for automatic lubrication of machinery where machine motion can be used as the power source for the pump. Two pump types are available where the mechanical action is transmitted directly to the pump piston, combining compactness and simplicity. RMLS Pumps are equipped with a cam roller for cam or stop actuation. The EMLS-5 Pump is furnished with a drive arm with adjustable clevis position for powering the pump via a connecting rod from an eccentric pin in the end of a rotating shaft or other back-and-forth movement.

Typical Applications

- Where mechanical machine drive can be utilized

Technical Specifications

Min. Piston Stroke Lube Discharge

RMLS-5	0.005 cu.in @ 3/16 in
RMLS-50	0.050 cu.in @ 5/16 in

Max Piston Stroke Lube Discharge

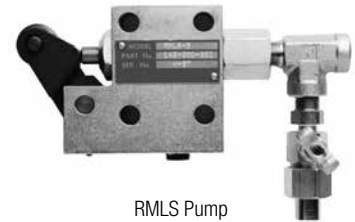
RMLS-5	0.012 cu.in. @ 3/8 in
RMLS-50	0.050 cu.in. @ 17/32 in

EMLS-5

Arm Travel	2-3/4 in, 2-1/16 in, 1-5/16 in
Piston Travel	3/8 in, 9/32 in, 1-5/16 in
Lube Discharge	0.012 cu.in., 0.008 cu.in., 0.005 cu.in.

Ordering Information

MLS Series Pumps	
562860	RMLS-5
562861	EMLS-5
562858	RMLS-50
563900	RMLS/EMLS-5 Repair Kit
563901	RMLS-50 Repair Kit



RMLS Pump



EMLS Pump

Hydraulic Pumps

Modu-Flo®

Features and Benefits

The Modu-Flo system is ideal for applications where minimizing downtime is critical. Customizing is easy—just mix and match pumps, reservoir and manifolds in any configuration to meet any application. Replace the pump or reservoir without disconnecting lubrication lines. Choose from a wide variety of hydraulic pumps that operate with grease or oil.

- Modular system design allows configurations to work in all applications
- Easy to standardize on components and reduce inventory
- Adjustable pump output for fast, convenient customization

Typical Applications

- General machinery lubrication where power is limited or not available

Lubrication Used

- Oil
- Grease up to NLGI #2

Technical Specifications

Output per Stroke 0.01- 0.125 in³ (0.16-2.0 cm³)
 Output Pressure 3,000 psi (207 bar)

Ordering Information

Part Number	Model Description	Max Pump Output/Stroke in ³ (cm ³)	Maximum Cycles/Minute	Ratio	Max. Hydraulic Pressure, psi (bar)	Lubrication Type
563305	HLJ-5 pump, double acting (no reservoir)	0.01-0.03 (0.16-0.49)	60	5.5:1	200-2000 (14-138)	Oil or grease up to NLGI #2
563345	HLJ-5X pump, double acting (no reservoir)	0.03-.09 (0.49-1.5)	50	2.2:1	200-3000 (14-207)	
563307	HLJ-25 pump, double acting (no reservoir)	0.03-0.12 (.49-2.0)	50	5.5:1	200-2000 (14-138)	

See pneumatic Modu-Flo section for a complete list of configurable parts.



Single Line Resistive Thrif-T Luber®

Simple Solutions to Tight Spaces and Budgets

- Fast payback—easily pays for itself!
- Easy system design and modification
- Full range of metering amounts for lubricating almost any machine
- Available in three types and ten flow ranges to meet lube requirements
- Quality sintered bronze filters won't shred or clog like felt filters



564020

Typical Applications

- Simple time and flow metering system; ideal for small to medium-sized lathes or grinders

Typical Fluids Handled

- Oil



564034

Quality sintered bronze filters won't shred or clog like felt filters

Technical Specifications

Cracking Pressure.....	2 psi (0.1 bar)
Maximum Pressure.....	150 psi (10 bar)
Filter Rating.....	40 micron
Orifice Type A.....	Direct to bearing
Orifice Type B.....	Manifold
Orifice Type C.....	Direct to bearing or Tee

Ordering Information

Thrif-T Luber - Type A Orifice	
564019	TLOA-0
564020	TLOA-1
564021	TLOA-2
564022	TLOA-3
564023	TLOA-4
564024	TLOA-5
564025	TLOA-2/0
564026	TLOA-3/0
564027	TLOA-4/0
564028	TLOA-5/0
Thrif-T Luber - Type B Orifice	
564038	TLOB-0
564039	TLOB-1
564040	TLOB-2
564041	TLOB-3
564042	TLOB-4
564043	TLOB-5
564044	TLOB-2/0
564045	TLOB-3/0
564046	TLOB-4/0
564047	TLOB-5/0
Thrif-T Luber - Type C Orifice	
564029	TLOC-0
564030	TLOC-1
564031	TLOC-2

Thrif-T Luber - Type C Orifice	
564032	TLOC-3
564033	TLOC-4
564034	TLOC-5
564035	TLOC-2/0
564036	TLOC-3/0
Thrif-T Luber Hardware	
561217	TLMB-04 - 4-Port Manifold Bar
561218	TLMB-06 - 6-Port Manifold Bar
561219	TLMB-08 - 8-Port Manifold Bar
561220	TLMB-10 - 10-Port Manifold Bar
561215	TLTF-00 - Tee
561216	TLAB-00 - Anchor Block
558220	TLBF-00 - Bearing Fitting
558189	TLCN-00 - Compression Nut
558156	TLTC-01 - Tube Clip, 1-Tube
558157	TLTC-02 - Tube Clip, 2-Tubes
558158	TLTC-03 - Tube Clip, 3-Tubes
558159	TLTC-04 - Tube Clip, 4-Tubes
Thrif-T Luber Accessories	
564053	TLLF-00 - In-Line Filter
558296	TLPG-00 - Pressure Gauge
561143	TLTP-25 - 5/32 inches (3.96 mm) Tubing, 25 feet (762 cm)
563162	Relief Valve - 150 psi (10 bar)
556677	Reservoir Plug

Single Line Parallel

Piston Distributors

Features and Benefits

- Piston distributor style single line meters known world-wide for fast, simple installation
- Seven different groups with two different mounting types, thread to manifold or cast manifold to serve a broad range of lube point requirements
- Metering nipples can be changed to fine-tune your dispense volumes



Typical Applications

- Compact metering system with a wide range of outputs; ideal for medium-sized cutting machine tools



Typical Fluids Handled

- Oil - 32 to 2,000 cst
- Fluid grease up to NLGI #00

Technical Specifications

	3400 Series	3410 Series	3500 Series	3510 Series	3900 Series	3910 Series
Oil/Fluid Grease	Oil	Fluid grease	Oil	Fluid grease	Oil	Fluid grease
Reset Pressure	150 psi (10 bar)	150 psi (10 bar)	150 psi (10 bar)	150 psi (10 bar)	150 psi (10 bar)	150 psi (10 bar)
Max. Operating Pressure	650 psi (45 bar)	650 psi (45 bar)	650 psi (45 bar)	650 psi (45 bar)	650 psi (45 bar)	650 psi (45 bar)
Output Range	.0006 – .009 in ³ (0.01 – 0.16 cm ³)	.0006 – .006 in ³ (0.01 – 0.10 cm ³)	.006 – .036 in ³ (0.1 – 0.6 cm ³)	.006 – .018 in ³ (0.1 – 0.3 cm ³)	0.012 – 0.09 in ³ (0.2 – 1.5 cm ³)	.006 – .018 in ³ (0.1 – 0.3 cm ³)
Metering Nipple Options	5	4	4	3	5	3
Cast Manifold Outlets	2, 3, or 5	2, 3, or 5	2, 3, or 5	2, 3, or 5	2 or 3	2 or 3

Ordering Information

3400 Series Single Point Piston Distributors - Oil	
558306	0.01 cc Output, M8 x 1
558307	0.03 cc Output, M8 x 1
558308	0.06 cc Output, M8 x 1
558309	0.10 cc Output, M8 x 1
558310	0.16 cc Output, M8 x 1
122804	0.01 cc Output, M10 x 1
122805	0.03 cc Output, M10 x 1
122806	0.06 cc Output, M10 x 1
122807	0.10 cc Output, M10 x 1
122808	0.16 cc Output, M10 x 1
3410 Series Single Point Piston Distributors - Fluid Grease	
121654	0.01 cc Output, M8 x 1
121655	0.03 cc Output, M8 x 1
121656	0.06 cc Output, M8 x 1
121657	0.10 cc Output, M8 x 1
122809	0.01 cc Output, M10 x 1
122810	0.03 cc Output, M10 x 1
122811	0.06 cc Output, M10 x 1
122812	0.10 cc Output, M10 x 1

3400/3410 Series Bar Manifolds	
Inlet/Outlet, use with M8 Piston Distributors	
15X624	Tee M8/M8-1 Port
15X667	M10/M8-2 Port
15X668	M10/M8-3 Port
15X669	M10/M8-4 Port
15X670	M10/M8-5 Port
15X671	M10/M8-6 Port
15X672	M10/M8-7 Port
15X673	M10/M8-8 Port
15X674	M10/M8-10 Port
15X683	M14/M8-2 Port
15X684	M14/M8-3 Port
15X685	M14/M8-4 Port
15X686	M14/M8-5 Port
15X687	M14/M8-6 Port
15X688	M14/M8-7 Port
15X689	M14/M8-8 Port
15X690	M14/M8-10 Port

Single Line Parallel

Single Line Parallel Piston Distributors

Ordering Information

3500 Series Single Point Piston Distributors - Oil

121658	0.10 cc Output, M10 x 1
121659	0.20 cc Output, M10 x 1
121660	0.40 cc Output, M10 x 1
121661	0.60 cc Output, M10 x 1
122813	0.10 cc Output, M12 x 1
122814	0.20 cc Output, M12 x 1
122815	0.40 cc Output, M12 x 1
122816	0.60 cc Output, M12 x 1

3510 Series Single Point Piston Distributors - Fluid Grease

121662	0.10 cc Output, M10 x 1
121663	0.20 cc Output, M10 x 1
121664	0.30 cc Output, M10 x 1
122817	0.10 cc Output, M12 x 1
122818	0.20 cc Output, M12 x 1
122819	0.30 cc Output, M12 x 1

3900 Series Single Point Piston Distributors - Oil

122820	0.20 cc Output, M12 x 1
122821	0.40 cc Output, M12 x 1
122822	0.60 cc Output, M12 x 1
122823	1.00 cc Output, M12 x 1
122824	1.50 cc Output, M12 x 1
121665	0.20 cc Output, M14 x 1.5
121666	0.40 cc Output, M14 x 1.5
121667	0.60 cc Output, M14 x 1.5
121668	1.00 cc Output, M14 x 1.5
121669	1.50 cc Output, M14 x 1.5

3910 Series Single Point Piston Distributors - Fluid Grease

122825	0.10 cc Output, M12 x 1
122826	0.20 cc Output, M12 x 1
122827	0.30 cc Output, M12 x 1
121670	0.10 cc Output, M14 x 1.5
121671	0.20 cc Output, M14 x 1.5
121672	0.30 cc Output, M14 x 1.5

3500/3510 Series Bar Manifolds

Inlet/Outlet, use with M10 Piston Distributors

15X625	Tee M10/M10-1 Port
15X675	M10/M10-2 Port
15X676	M10/M10-3 Port
15X677	M10/M10-4 Port
15X678	M10/M10-5 Port
15X679	M10/M10-6 Port
15X680	M10/M10-7 Port
15X681	M10/M10-8 Port
15X682	M10/M10-10 Port
15X691	M14/M10-2 Port
15X692	M14/M10-3 Port
15X693	M14/M10-4 Port
15X694	M14/M10-5 Port
15X695	M14/M10-6 Port
15X696	M14/M10-7 Port
15X697	M14/M10-8 Port
15X698	M14/M10-10 Port

3900/3910 Series Bar Manifolds

Inlet/Outlet, use with M14 Piston Distributors

15X626	Tee M14/M14-1 Port
15X699	M14/M14-2 Port
15X700	M14/M14-3 Port
15X701	M14/M14-4 Port
15X702	M14/M14-5 Port
15X703	M14/M14-6 Port
15X704	M14/M14-7 Port
15X705	M14/M14-8 Port
15X706	M14/M14-10 Port

Single Line Parallel

Piston Distributors

Ordering Information

3400 Cast Manifolds	
122841	2 Outlets, Oil PD, Complete w/Red Plastic Cover
122861	3 Outlets, Oil PD, Complete w/Red Plastic Cover
122862	5 Outlets, Oil PD, Complete w/Red Plastic Cover
3400 Metering Nipples	
122989	0.01 cc (#1)
558311	0.03 cc (#2)
558312	0.06 cc (#3)
558313	0.10 cc (#4)
558314	0.16 cc (#5)
3410 Cast Manifolds	
122863	2 Outlets, Fluid Grease PD, Complete w/White Plastic Cover
122864	3 Outlets, Fluid Grease PD, Complete w/White Plastic Cover
122865	5 Outlets, Fluid Grease PD, Complete w/White Plastic Cover
3410 Metering Nipples	
122990	0.01 cc (#1)
558324	0.03 cc (#2)
558325	0.06 cc (#3)
558326	0.10 cc (#4)
3500 Cast Manifolds	
122866	2 Outlets, Oil PD, Complete w/Red Plastic Cover
122868	3 Outlets, Oil PD, Complete w/Red Plastic Cover
122869	5 Outlets, Oil PD, Complete w/Red Plastic Cover
3500 Metering Nipples	
558315	0.10 cc (#4)
558316	0.20 cc (#5)
558317	0.40 cc (#6)
558318	0.60 cc (#7)
3510 Cast Manifolds	
122885	2 Outlets, Fluid Grease PD, Complete w/White Plastic Cover
122886	3 Outlets, Fluid Grease PD, Complete w/White Plastic Cover
122887	5 Outlets, Fluid Grease PD, Complete w/White Plastic Cover
3510 Metering Nipples	
558327	0.10 cc (#4)
558328	0.20 cc (#5)
558329	0.30 cc (#6)

3900 Cast Manifolds	
122888	2 Outlets, Oil PD, Complete w/Red Plastic Cover
122889	3 Outlets, Oil PD, Complete w/Red Plastic Cover
3900 Metering Nipples	
558319	0.20 cc (#5)
558320	0.40 cc (#6)
558321	0.60 cc (#7)
558322	1.00 cc (#8)
558323	1.50 cc (#9)
3910 Cast Manifolds	
122890	2 Outlets, Fluid Grease PD, Complete w/White Plastic Cover
122891	3 Outlets, Fluid Grease PD, Complete w/White Plastic Cover
3910 Metering Nipples	
558330	0.10 cc (#4)
558331	0.20 cc (#5)
558332	0.30 cc (#6)
Direct-to-Bearing Piston Distributors - For Oil Only	
122789	Direct Type F (M14/D4/0.03 cc)
122790	Direct Type F (M14/D4/0.06 cc)
122791	Direct Type F (M14/D4/0.10 cc)
122792	Direct Type F (M14/D6/0.03 cc)
122793	Direct Type F (M14/D6/0.06 cc)
122794	Direct Type F (M14/D6/0.10 cc)
122795	Direct Type GB (D10.35/0.03 cc)
122796	Direct Type GB (D10.35/0.06 cc)
122797	Direct Type GB (D10.35/0.10 cc)
122798	Direct Type GC (D13.5/0.10 cc)
122799	Direct Type GC (D13.5/0.20 cc)
122800	Direct Type GC (D13.5/0.30 cc)
122801	Direct Type GC (D13.5/0.40 cc)

Refer to Graco manual #313759 for more details on Piston Distributors.

Single Line Parallel LubriSystem® Injectors

Features and Benefits

- Two piece compression fitting included for fast, easy installation
- Bundled system tubing available for easy installation
- Threaded outlet allows for manifold or direct-to-bearing mounting
- Adjustable output volume

Typical Applications

- Designed for frequent, medium-pressure metering; ideal for medium-sized forming or injection-molding machines. Includes system pressure monitoring.

Typical Fluids Handled

- Oil to NLGI #0

Technical Specifications

Operating Pressure (max)	2,500 psi (173 bar)
Output Range	0.002 – 0.024 in ³ (0.033 – 0.393 cm ³)
Minimum Pressure to Fire Injectors	450 psi (31 bar)
Reset Pressure	160 psi (11 bar)
Minimum On-Time	30 seconds
Minimum Off-Time	3 minutes

Ordering Information

Injectors				
Size #	Output cu.in. (cm ³)	Adjustment Spacers	Aluminum Alloy Injectors (Oil)	Aluminum Alloy Injectors (Grease)
			Part No.	Part No.
0	.002 (0.033)	–	563628	563627
1	.005 (0.082)	1	563630	563629
2	.009 (0.148)	2	563632	563631
3	.012 (0.197)	3	563634	563633
4	.015 (0.246)	4	563636	563635
8	.024 (0.393)	4	563638	563637
Spare O-ring			556587	556586
LubriSystem Manifolds and Accessories				
563769	Injector cycle Indicator			
15M038	Injector port plugs for aluminum manifold			
555808	End of line manifold plugs			
557901	Manifold Injector Outlet Plug			
557898	Aluminum output adjustment spacer			



Single Line Parallel

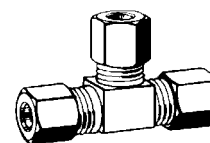
LubriSystem® Accessories

Ordering Information

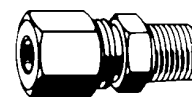
Heavy Wall Lube Lines (tubing)	
561132	Main Line (pump to manifold): 5/16 inches OD x .059 inches wall (7.9 mm x 1.5 mm), black, 60 feet (18.3 m) Burst Pressure Min. - 1,500 psi (103 bar) at 75° F (24° C)
561131	Point Distribution Line (injector to lube point): 3/16 in OD x .044 inches wall (4.8 mm x 1.1 mm), black, 60 feet (18.3 m) Burst Pressure Min. - 2,000 psi (138 bar) at 75° F (24° C)
Self-Aligning Ferrules And Nuts	
556660	Brass Nut, w/captive ferrule, 3/16 inch (4.8 mm) tube
556666	Brass Nut, w/captive ferrule, 5/16 inch (7.9 mm) tube
556651	Stainless Steel Nut, 1/8 inch (3.2 mm) tube
556654	Stainless Steel Ferrule, 1/8 inch (3.2 mm) tube
557963	Brass Inserts for 5/16 inch (7.9 mm) tubing (pack of 20)
Tees And Unions	
556636	Male Branch Tee, 5/16 inch (7.94 mm) tube, 1/8 inch (3.2 mm) NPTF Brass
556637	Union Tee, 5/16 (7.94 mm) tube, Brass
556647	Union, 3/16 (4.8 mm) tube, Brass
556648	Union, 5/16 (4.8 mm) tube, Brass
Brass Connectors	
556642	Female Connector, 3/16 inch (4.8 mm) tube x 1/8 inch (3.2 mm) NPTF
556643	Female Connector, 5/16 inch (7.94 mm) tube x 1/8 inch (3.2 mm) NPTF
556644	Male Connector, 3/16 inch (4.8 mm) tube x 1/8 inch (3.2 mm) NPTF
556645	Male Connector, 5/16 inch (7.94 mm) tube x 1/8 inch (3.2 mm) NPTF
556646	Male Connector, 5/16 inch (7.94 mm) tube x 1/4 inch (6.35 mm) NPTF
Tubing Straps	
563770	100 pieces, 11-1/2 inch (292 mm)
Steel Pipe and Adapter Elbows	
15K740	1/4 inch-28 inch / 6.35 mm-711 cm (male) x 1/8 inch (3.2 mm) NPTF (female), 90° Adapter Elbow
15K783	90° Street Elbow, 1/8 inch (3.2 mm) NPTF
557395	45° Street Elbow, 1/8 inch (3.2 mm) NPTF
Brass Male Tube Elbows	
556638	3/16 inch (4.8 mm) tube x 1/8 inch (3.2 mm) NPTF
556639	5/16 inch (7.94 mm) tube x 1/8 inch (3.2 mm) NPTF
556640	5/16 inch (7.94 mm) tube x 1/4 inch (6.35 mm) NPTF
Harness Clamps and Brackets	
557943	5/16 inch (7.94 mm) diameter
557946	3/8 inch (9.53 mm) diameter
557944	7/16 inch (11.11 mm) diameter
557947	1/2 inch (12.7 mm) diameter
557945	5/8 inch (15.22 mm) diameter
Miscellaneous	
561113	Air Line Restrictor, 1/2 inch x 1/8 inch (12.7 mm x 3.2 mm), M to F Pipe
561114	Air Line Restrictor, 3/8 inch x 1/8 inch (9.53 mm x 3.2 mm), M to F Pipe
557374	Trabon Style Fill Stud
557880	Grease Jockey Style Fill Stud
Fill Couplers, mate w/above fill studs	
558906	Coupler for use with 557374
557877	Coupler for use with 557880



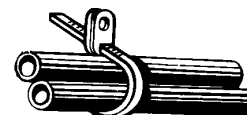
561132



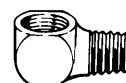
556637



556643



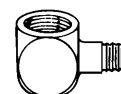
563770



15K783



556638



15K740



561132

Single Line Parallel

Single Line Parallel

GL-32™ and GL-43™ Injectors

Features and Benefits

- Accurate, reliable and adjustable lubrication for each lube point. Systems are easy to design, fast to set up and allow you to add or subtract lube points without having to redesign your lubrication system
- Versatile high performance—works with oil and grease grades to NLGI #2
- All injectors come standard with fluoroelastomer seals for use with synthetic lubricants and high temperature applications—up to 350° F (176° C)



24A923

Typical Applications

- In-plant machinery, mobile equipment and anywhere adjustable lubrication output is desired

Typical Fluids Handled

- Oil (10 weight minimum) and grease up to NLGI #2

Technical Specifications

Grease

Maximum Operating Pressure	3,500 psi (241 bar)
Minimum Operating Pressure	1,200 psi (83 bar)
Typical Operating Pressure	1,500 psi (103 bar)
Reset Pressure	200 psi (13.7 bar)
Output Volume Per Cycle (adjustable)	0.001–0.008 in ³ (0.02–0.13 cm ³)
Maximum Temperature Rating	350° F (176° C)
Cycle Indication	Visual Pin
Instruction Manual	313798

Oil

Maximum Operating Pressure	1,000 psi (69 bar)
Minimum Operating Pressure	750 psi (52 bar)
Typical Operating Pressure	850 psi (59 bar)
Reset Pressure	150 psi (10 bar)
Output Volume Per Cycle (adjustable)	0.001–0.008 in ³ (0.02–0.13 cm ³)
Maximum Temperature Rating	350° F (176° C)
Cycle Indication	Visual Pin
Instruction Manual	313798

Ordering Information

GL-32 Carbon Steel Grease	
24A919	Stand-Alone Injector, 1/4 NPT (must order in quantities of five)
24A920	Replacement Injector, 1/4 NPT (must order in quantities of five)
24A921	1-Injector Manifold, 1/4 NPT
24A922	2-Injector Manifold, 1/4 NPT
24A923	3-Injector Manifold, 1/4 NPT
24A924	4-Injector Manifold, 1/4 NPT
24B677	Injector Outlet Replacement Kit (nut, ferrule and adapter), NPT

24F507	Stand-Alone Injector, 6 mm outlet, BSPP (must order in quantities of five)
24F508	Replacement Injector, 6 mm outlet, BSPP (must order in quantities of five)
24F509	1-Injector Manifold, 6 mm outlet, 1/8 BSPP inlet
24F510	2-Injector Manifold, 6 mm outlet, 1/8 BSPP inlet
24F511	3-Injector Manifold, 6 mm outlet, 1/8 BSPP inlet
24F512	4-Injector Manifold, 6 mm outlet, 1/8 BSPP inlet
24F513	Injector Outlet Adapter Kit, 4 mm outlet
24F514	Injector Outlet Adapter Kit, 6 mm outlet
24B360	Repair Kit

Single Line Parallel

GL-32™ and GL-43™ Injectors

Ordering Information

GL-32 304 Stainless Steel Grease	
24E389	Stand-Alone Injector, 1/4 NPT (must order in quantities of five)
24E390	Replacement Injector, 1/4 NPT (must order in quantities of five)
24E391	1-Injector Manifold, 1/4 NPT
24E392	2-Injector Manifold, 1/4 NPT
24E393	3-Injector Manifold, 1/4 NPT
24E394	4-Injector Manifold, 1/4 NPT
24F943	Injector Outlet Replacement Kit (nut, ferrule and adapter), NPT
24F549	Stand-Alone Injector, 6 mm outlet, BSPP (must order quantities of five)
24F550	Replacement Injector, 6 mm outlet, BSPP (must order quantities of five)
24F551	1-Injector Manifold, 6 mm outlet, 1/8 BSPP inlet
24F552	2-Injector Manifold, 6 mm outlet, 1/8 BSPP inlet
24F553	3-Injector Manifold, 6 mm outlet, 1/8 BSPP inlet
24F554	4-Injector Manifold, 6 mm outlet, 1/8 BSPP inlet
24F555	Injector Outlet Adapter Kit, 4 mm outlet
24F556	Injector Outlet Adapter Kit, 6 mm outlet
24F944	Repair Kit
GL-43 Carbon Steel Oil	
24E240	Stand-Alone Injector, 1/4 NPT (must order in quantities of five)
24E245	Replacement Injector, 1/4 NPT (must order in quantities of five)
24E241	1-Injector Manifold, 1/4 NPT
24E242	2-Injector Manifold, 1/4 NPT
24E243	3-Injector Manifold, 1/4 NPT
24E244	4-Injector Manifold, 1/4 NPT
24B667	Injector Outlet Replacement Kit (nut, ferrule and adapter), NPT
24F542	Stand-Alone Injector, 6 mm outlet, BSPP (must order quantities of five)
24F543	Replacement Injector, 6 mm outlet, BSPP (must order quantities of five)
24F544	1-Injector Manifold, 6 mm outlet, 1/8 BSPP inlet
24F545	2-Injector Manifold, 6 mm outlet, 1/8 BSPP inlet
24F546	3-Injector Manifold, 6 mm outlet, 1/8 BSPP inlet
24F548	4-Injector Manifold, 6 mm outlet, 1/8 BSPP inlet
24F201	Repair Kit

GL-32, GL-33, GL-42, and GL-43 Outlet Fittings	
17B168	JIC-4 male outlet, carbon steel
17B169	JIC-4 male outlet, stainless steel
17B780	1/8 NPT(f) outlet, carbon steel
17B781	1/8 NPT(f) outlet, stainless steel
17B879	1/8 OD tube, push to connect
17B880	1/4 OD tube, push to connect
24F513	4 mm OD outlet tube, carbon steel
24F555	4 mm OD outlet tube, stainless steel
24B677	1/8 OD outlet tube, carbon steel
24F943	1/8 OD outlet tube, stainless steel
24F514	6 mm OD outlet tube, carbon steel
24F556	6 mm OD outlet tube, stainless steel
17B782	Outlet closure plug, carbon steel
17B783	Outlet closure plug, stainless steel
Accessories	
24W495	Manual grease fitting adapter
17B785	Measuring chamber vinyl cap
24W913	GL33 overhaul kit, carbon steel
24W914	GL33 overhaul kit, stainless steel
24W915	GL42 overhaul kit
24B360	GL32 overhaul kit, carbon steel
24F944	GL32 overhaul kit, stainless steel
24F201	GL43 overhaul kit

Single Line Parallel

Single Line Parallel

GL-33™ and GL-42™ Injectors

Features and Benefits

- Accurate, reliable and adjustable lubrication for each lube point. Systems are easy to design, fast to set up and allow you to add or subtract lube points without having to redesign your lubrication system
- Versatile high performance—works with oil and grease grades to NLGI #2
- All injectors come standard with fluoroelastomer seals for use with synthetic lubricants and high temperature applications—up to 350° F (176° C)

Typical Applications

- In-plant machinery, mobile equipment and anywhere adjustable lubrication output is desired

Typical Fluids Handled

- Oil (10 weight minimum) and grease up to NLGI #2

Technical Specifications

Grease

Maximum Operating Pressure	3,500 psi (241 bar)
Minimum Operating Pressure	1,200 psi (83 bar)
Typical Operating Pressure	1,500 psi (103 bar)
Reset Pressure	200 psi (13.7 bar)
Output Volume Per Cycle (adjustable)	0.001–0.003 in ³ (0.02–0.05 cm ³)
Maximum Temperature Rating	350° F (176° C)
Cycle Indication	Visual Pin
Instruction Manual	334495

Oil

Maximum Operating Pressure	1,000 psi (69 bar)
Minimum Operating Pressure	750 psi (52 bar)
Typical Operating Pressure	850 psi (59 bar)
Reset Pressure	150 psi (10 bar)
Output Volume Per Cycle (adjustable)	0.001–0.003 in ³ (0.02–0.05 cm ³)
Maximum Temperature Rating	350° F (176° C)
Cycle Indication	Visual Pin
Instruction Manual	334495

Ordering Information

GL-33 Carbon Steel Grease	
24W401	1-injector manifold, 1/8 NPT(f) inlet, 1/8 outlet
24W402	2-injector manifold, 1/8 NPT(f) inlet, 1/8 outlet
24W403	3-injector manifold, 1/8 NPT(f) inlet, 1/8 outlet
24W404	4-injector manifold, 1/8 NPT(f) inlet, 1/8 outlet
24X302	5-injector manifold, 1/8 NPT(f) inlet, 1/8 outlet
24W405	6-injector manifold, 1/8 NPT(f) inlet, 1/8 outlet
24W406	9-injector manifold, 1/8 NPT(f) inlet, 1/8 outlet
24W407	10-injector manifold, 1/8 NPT(f) inlet, 1/8 outlet
24W408	15-injector manifold, 1/8 NPT(f) inlet, 1/8 outlet
24W483	Replacement injector, 1/8 outlet (must order in quantities of five)
24W487	Stand-alone injector, 1/8 NPT(f) inlet, 1/8 outlet (must order in quantities of five)



24W404

24W501	1-injector manifold, 1/8 BSPP inlet, 6 mm outlet
24W502	2-injector manifold, 1/8 BSPP inlet, 6 mm outlet
24W503	3-injector manifold, 1/8 BSPP inlet, 6 mm outlet
24W504	4-injector manifold, 1/8 BSPP inlet, 6 mm outlet
24X303	5-injector manifold, 1/8 BSPP inlet, 6 mm outlet
24W505	6-injector manifold, 1/8 BSPP inlet, 6 mm outlet
24W506	10-injector manifold, 1/8 BSPP inlet, 6 mm outlet
24W507	15-injector manifold, 1/8 BSPP inlet, 6 mm outlet
24W484	Replacement injector, 6 mm outlet (must order in quantities of five)
24W488	Stand-alone injector, 1/8 NPT(f) inlet, 6 mm outlet (must order in quantities of five)

Single Line Parallel

GL-33™ and GL-42™ Injectors and Accessories

Ordering Information

GL-33 Stainless Steel Grease	
24W601	1-injector manifold, 1/8 NPT(f) inlet, 1/8 outlet
24W602	2-injector manifold, 1/8 NPT(f) inlet, 1/8 outlet
24W603	3-injector manifold, 1/8 NPT(f) inlet, 1/8 outlet
24W604	4-injector manifold, 1/8 NPT(f) inlet, 1/8 outlet
24X304	5-injector manifold, 1/8 NPT(f) inlet, 1/8 outlet
24W605	6-injector manifold, 1/8 NPT(f) inlet, 1/8 outlet
24W606	10-injector manifold, 1/8 NPT(f) inlet, 1/8 outlet
24W607	15-injector manifold, 1/8 NPT(f) inlet, 1/8 outlet
24W485	Replacement injector, 1/8 outlet (must order in quantities of five)
24W489	Stand-alone injector, 1/8 NPT(f) inlet, 1/8 outlet (must order in quantities of five)
24W701	1-injector manifold, 1/8 BSPP inlet, 6 mm outlet
24W702	2-injector manifold, 1/8 BSPP inlet, 6 mm outlet
24W703	3-injector manifold, 1/8 BSPP inlet, 6 mm outlet
24W704	4-injector manifold, 1/8 BSPP inlet, 6 mm outlet
24X305	5-injector manifold, 1/8 BSPP inlet, 6 mm outlet
24W705	6-injector manifold, 1/8 BSPP inlet, 6 mm outlet
24W706	10-injector manifold, 1/8 BSPP inlet, 6 mm outlet
24W707	15-injector manifold, 1/8 BSPP inlet, 6 mm outlet
24W486	Replacement injector, 6 mm outlet (must order in quantities of five)
24W490	Stand-alone injector, 1/8 NPT(f) inlet, 6 mm outlet (must order in quantities of five)
GL-42 Carbon Steel Oil	
24W801	1-injector manifold, 1/8 NPT(f) inlet, 1/8 outlet
24W802	2-injector manifold, 1/8 NPT(f) inlet, 1/8 outlet
24W803	3-injector manifold, 1/8 NPT(f) inlet, 1/8 outlet
24W804	4-injector manifold, 1/8 NPT(f) inlet, 1/8 outlet
24X306	5-injector manifold, 1/8 NPT(f) inlet, 1/8 outlet
24W805	6-injector manifold, 1/8 NPT(f) inlet, 1/8 outlet
24W806	9-injector manifold, 1/8 NPT(f) inlet, 1/8 outlet
24W807	10-injector manifold, 1/8 NPT(f) inlet, 1/8 outlet
24W808	15-injector manifold, 1/8 NPT(f) inlet, 1/8 outlet
24W491	Replacement injector, 1/8 outlet (must order in quantities of five)
24W493	Stand-alone injector, 1/8 NPT(f) inlet, 1/8 outlet (must order in quantities of five)
24W901	1-injector manifold, 1/8 BSPP inlet, 6 mm outlet
24W902	2-injector manifold, 1/8 BSPP inlet, 6 mm outlet
24W903	3-injector manifold, 1/8 BSPP inlet, 6 mm outlet
24W904	4-injector manifold, 1/8 BSPP inlet, 6 mm outlet
24X307	5-injector manifold, 1/8 BSPP inlet, 6 mm outlet
24W905	6-injector manifold, 1/8 BSPP inlet, 6 mm outlet
24W906	10-injector manifold, 1/8 BSPP inlet, 6 mm outlet
24W907	15-injector manifold, 1/8 BSPP inlet, 6 mm outlet
24W492	Replacement injector, 6 mm outlet (must order in quantities of five)
24W494	Stand-alone injector, 1/8 NPT(f) inlet, 6 mm outlet (must order in quantities of five)

GL-32, GL-33, GL-42, and GL-43 Outlet Fittings	
17B168	JIC-4 male outlet, carbon steel
17B169	JIC-4 male outlet, stainless steel
17B780	1/8 NPT(f) outlet, carbon steel
17B781	1/8 NPT(f) outlet, stainless steel
17B879	1/8 OD tube, push to connect
17B880	1/4 OD tube, push to connect
24F513	4 mm OD outlet tube, carbon steel
24F555	4 mm OD outlet tube, stainless steel
24B677	1/8 OD outlet tube, carbon steel
24F943	1/8 OD outlet tube, stainless steel
24F514	6 mm OD outlet tube, carbon steel
24F556	6 mm OD outlet tube, stainless steel
17B782	Outlet closure plug, carbon steel
17B783	Outlet closure plug, stainless steel
Accessories	
24W495	Manual grease fitting adapter
17B785	Measuring chamber vinyl cap
24W913	GL33 overhaul kit, carbon steel
24W914	GL33 overhaul kit, stainless steel
24W915	GL42 overhaul kit
24B360	GL32 overhaul kit, carbon steel
24F944	GL32 overhaul kit, stainless steel
24F201	GL43 overhaul kit

Single Line Parallel

GL-1™ and GL-1™ High Corrosion Protection (HCP) Injectors

Features and Benefits

- Easy to change output volume in the field—no need to remove plumbing
- Adjustable output to custom fit the system for each lube point
- Output from one or more injectors can be cross ported to another injector to increase output to a large bearing
- Visual indicator pin for quick and easy system diagnostics
- Zerk fitting for system diagnostic, trouble shooting and supply priming

Typical Applications

- Rugged, medium-pressure metering system for pumping grease; ideal for heavier-duty applications such as mobile mining vehicles, milling, cement batch plants or material processing equipment.
- GL-1 HCP provides C5-M (1,400 hours Salt-Spray Environment) corrosion protection as defined by EN ISO 12944 Part 2. Ideal for use in marine applications or other environments where atmospheric corrosion is a concern.



114905

Typical Fluids Handled

- Grease up to NLGI #2

Technical Specifications

Reset Pressure	600 psi (41 bar)
Maximum Pressure	3,500 psi (241 bar)
Suggested Operating Pressure.....	2,500 psi (172 bar)
Minimum Operating Pressure	1,850 psi (128 bar)
Output Range	0.008 – 0.08 in ³ (0.13 – 1.31 cc)
Number of Adjustment Turns.....	8
Cycle Indicator	Visual

Ordering Information

	GL-1	GL-1 HCP
GL-1 Injectors and Manifold Assemblies		
GL-1 one point assembly	114901	24X401
GL-1 two point assembly	114902	24X402
GL-1 three point assembly	114903	24X403
GL-1 four point assembly	114904	24X404
GL-1 five point assembly	114905	24X405
GL-1 six point assembly	117206	24X406
GL-1 single replacement injector (no manifold)	114909	24X153
GL-1 Bare Injector Manifolds (no injectors included)		
One bank GL-1 manifold	114911	17D401
Two bank GL-1 manifold	114912	17D402
Three bank GL-1 manifold	114913	17D403
Four bank GL-1 manifold	114914	17D404
Five bank GL-1 manifold	114915	17D405
Six bank GL-1 manifold	118206	17D906
GL-1 Injector Accessories		
GL-1 injector cover kit, plastisol*	115119	N/A
GL-1 injector crossport kit	115120	128139
GL-1 zerk and cap kit*	114916	17C155
GL-1 adjustment screw and lock nut*	126030	N/A

*Must be ordered in quantities of ten.

Single Line Parallel

GL-11™ Injectors

Features and Benefits

- Adjustable output volumes to custom fit the system for each lube point
- Convenient top-mounted cycle pin indicator provides quick, at-a-glance confirmation that the injector is functioning properly
- Hex head adjustment for easy turning from most any orientation

Typical Applications

- Rugged, medium-pressure metering system for pumping grease; ideal for heavier-duty applications such as mobile mining vehicles, milling, cement batch plants or material processing equipment.

Typical Fluids Handled

- Grease up to NLGI #2

Technical Specifications

Reset Pressure	600 psi (41 bar)
Maximum Pressure	3,500 psi (241 bar)
Suggested Operating Pressure.....	2,500 psi (172 bar)
Minimum Operating Pressure	1,000 psi (69 bar)
Output Range	0.05 – 0.5 in ³ (0.82 – 8.2 cm ³)
Number of Adjustment Turns.....	14
Cycle Indicator	Visual

Ordering Information

GL Injectors and Accessories	
24A918	GL-11 injector
24B359	GL-11 injector repair kit
114916	GL-11 zerk and cap kit



24A918

Series Progressive

Trabon® USP Mono Block Divider Valve

Features and Benefits

- Series progressive metering in a one piece block—no assembly required!
- Space efficient design with 6, 8, 10, 12, 14, or 16 outlets. Outlets can be combined to meet larger bearing needs
- Fittings have built-in outlet check valves to ensure accurate lube delivery every time
- Works with standard MSP magnetic and electronic proximity switch cycle indicators to provide positive assurance of a successful lube event
- Fluoroelastomer seals come standard, great for high temperature applications or synthetic lubricants

Typical Applications

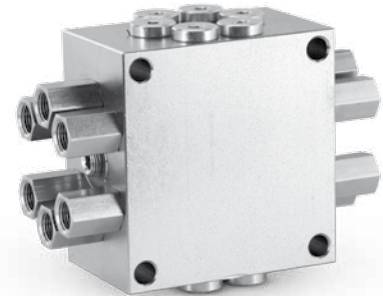
- Mobile, industrial, food and beverage, wind, and many more

Typical Fluids Handled

- Oil or grease grades up to NLGI #2

Technical Specifications

Maximum Pressure, psi (bar)	5,076 (350)
Output Single Outlet, in ³ (cm ³)	0.012 in ³ (.20 cm ³)
Cycle Indication	Electronic proximity switch, magnetic visual indicator
Max Operating Temperature	350° F (176° C)



24J334

Ordering Information

USP Bare Valves - Must order required outlet fittings to complete installation	
24J331	USP 6 outlet mono block
24J332	USP 8 outlet mono block
24J333	USP 10 outlet mono block
24J334	USP 12 outlet mono block
24J335	USP 14 outlet mono block
24J336	USP 16 outlet mono block
USP Outlet Fittings	
24E232	1/8" NPSF female with check valve
16V778	1/4" nylon tubing push-to-connect with check valve
16V779	3/16" nylon tubing push-to-connect with check valve
16V780	6 mm nylon tubing push-to-connect with check valve
16V782	1/4" steel tubing compression with check valve
16V784	3/16" nylon tubing compression with check valve
16V785	6 mm steel tubing compression with check valve
24F467	Doubling plug
USP Accessories	
24N007	Weld bar for 6 and 8 outlet valves
24N008	Weld bar for 10 and 12 outlet valves
24N009	Weld bar for 14 and 16 outlet valves

Series Progressive

Trabon® MD Mono Block Divider Valve

Features and Benefits

The Trabon MD Series is the most compact series progressive solution making it a perfect fit for tight spaced applications

- Available with 2, 3, 4, or 6 outlets
- Easy to install on new or existing equipment
- Use our cycle indicator pin models to provide positive assurance of a successful lube event
- Fluoroelastomer seals for high temperature applications or synthetic lubricants

Typical Applications

- Industrial or mobile applications where space is at a premium



562658

Typical Fluids Handled

- Oil or grease up to NLGI #2

Technical Specifications

Material	Steel
Pressure (max)	3,000 psi (207 bar)
Net Weight (approx.)	1 lb 8 oz (0.68 kg)
Volume (Lubricant to cycle divider valve one complete cycle)	
MD-2	0.040 in ³ (0.66 cm ³) each
MD-3	0.040 in ³ (0.66 cm ³) outlet 1 and 0.020 in ³ (0.33 cm ³) outlet 2 and 3
MD-4	0.020 in ³ (0.33 cm ³) each
MD-6	0.010 in ³ (0.16 cm ³) each
Max Operating Temperature	350° F (176° C)

Ordering Information

	Number of Outlets	Output per Outlet, in ³ (cm ³)	Valve Only	Valve with Cycle Pin	Valve with Cycle Switch and Bracket Assembly
MD-2	2	0.04 (0.66)	562656	562653	563270
MD-3	3	Outlet 1 - 0.04 (0.66) Outlet 2 and 3 - 0.02 (0.33)	562657	562654	563271
MD-4	4	0.02 (0.33)	562658	562655	564356
MD-6	6	0.01 (0.16)	562659	N/A	

MD Spare Parts	
563555	Cycle indicator end plug assembly
122276	Viton o-ring

Series Progressive

Trabon® MJ Divider Valve

Features and Benefits

The Trabon MJ series features a compact and easily customizable design that can be tailor fit to meet a variety of specific lube requirements. Capable of handling grease grades up to NLGI #1.

- Space efficient—from 6 to 16 points from one block assembly
- Built-in outlet check valves ensure accurate lube delivery, every time
- Alternate outlet on face of valves can be fitted with optional performance indicators
- Can be easily accessorized with magnetic and electronic proximity switch cycle indicators to provide positive assurance of a successful lube event

Typical Applications

- Machine tools, textile, glass and can machinery, and mobile equipment

Typical Fluids Handled

- Oil or Grease up to NLGI #1



Technical Specifications

Material.....Plated Steel
 Maximum Pressure 2,000 psi (137.89 bar)
 Max Operating Temperature.....200° F (93° C)
 Max Cycle Rate with Cycle Pin60 cycles/minute

	Output Twin Outlet, in ³ (cm ³)	Output Single Outlet, in ³ (cm ³)	Cycle Indication
MJ5	0.005 (0.08)	0.010 (0.16)	Not available
MJ10	0.010 (0.16)	0.020 (0.33)	Cycle indicator switch
MJ15	0.015 (0.26)	0.030 (0.49)	

Ordering Information

MJ Valve Working Sections (Must be ordered in multiples of 5)					
Outlet	Description	Output Per Outlet, in ³ (cm ³)	Model Number		
			Standard Section	With Cycle Pin – Right	With Cycle Pin – Left
Single	MJ-5S	0.010 (0.16)	562500	Cycle indication not available	
	MJ-10S	0.020 (0.33)	562501	562508	562512
	MJ-15S	0.030 (0.49)	562502	562509	N/A
Twin	MJ-5T	0.005 (0.08)	562503	Cycle indication not available	
	MJ-10T	0.010 (0.16)	562504	562510	562513
	MJ-15T	0.015 (0.26)	562505	562511	564205

Build Your Own MJ Base Plate Assemblies		
Component	Description	Model Number
		NPSF
Inlet*	Standard inlet	560643
End section*	Standard end section	560645
Tie rods - (2 required)	3-section**	557515
	4-section**	557516
	5-section**	557517
	6-section**	557518
	7-section**	557519
	8-section**	557520
	9-section**	560649
Tie rod nuts (2 required)	Tie rod nuts	556371

*Must be ordered in multiples of five. **Two tie rods and tie rod nuts required for assembly.

Series Progressive

Trabon® MSP Divider Valve

Features and Benefits

The Trabon MSP Series sets the industry standard for quality, reliability, and ease of use features. It was the original modular-style series progressive divider valve—and is still the best!

- Quick change valve sections can be removed from the base assembly without disturbing any lube lines—minimizing labor cost and maximizing your machine uptime
- Accessories such as magnetic and electronic proximity switch cycle indicators provide positive assurance of a successful lube event
- Alternate outlet on face of valves can be fitted with optional performance indicators, taking the guesswork out of troubleshooting
- Built-in outlet check valves ensure accurate lube delivery, every time

Pre-assembled and tested base plates now available!



Typical Applications

- Mobile, industrial, food and beverage, wind, and many more

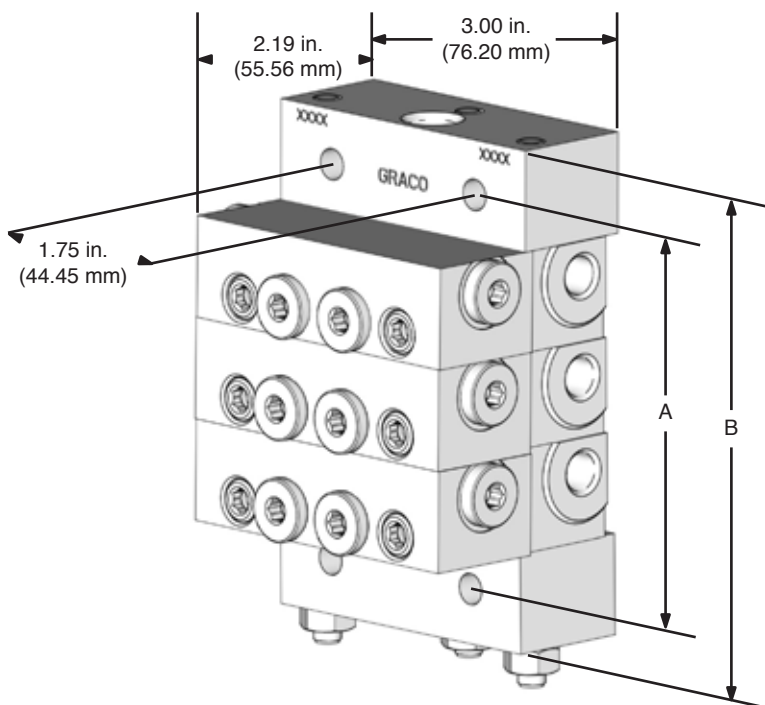
Typical Fluids Handled

- Oil or Grease up to NLGI #2

Technical Specifications

Material.....	Plated Steel
Maximum Pressure.....	3,500 psi (241 bar)
Max Operating Temperature.....	350° F (176 °C)
Max Cycle Rate with Cycle Pin.....	60 cycles/minute
Max Cycle Rate without Cycle Pin.....	200 cycles/minute

Series Progressive

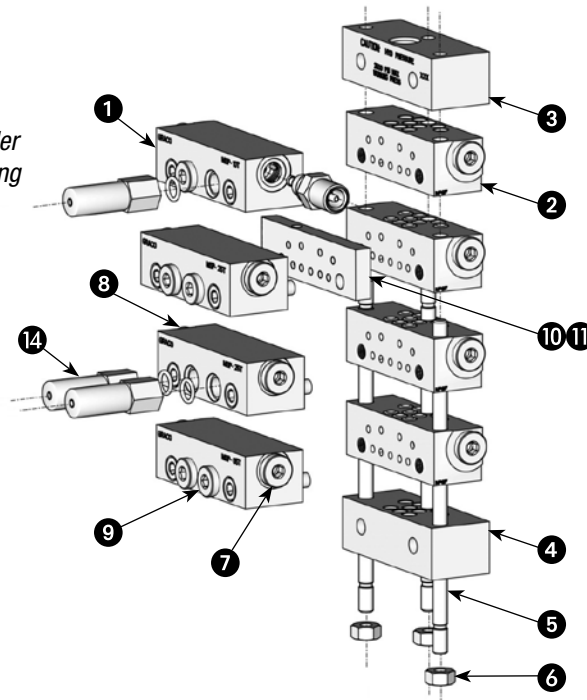


Number of Valve Sections	Dimensions (for reference only)	
	A	B
3	3.6 in. (91.4 mm)	4.6 in. (116.8 mm)
4	4.5 in. (114.3 mm)	5.0 in. (127.0 mm)
5	5.4 in. (137.2 mm)	6.4 in. (162.6 mm)
6	6.3 in. (160.0 mm)	7.4 in. (188.0 mm)
7	7.3 in. (185.4 mm)	8.3 in. (210.8 mm)
8	8.2 in. (208.3 mm)	9.2 in. (233.7 mm)

Series Progressive

Trabon® MSP Divider Valve

Easily configure the MSP Divider Valve system using the following item selection chart.



Note: Not shown in diagram – Bypass Block (562660), Cycle Indicators and Proximity Switches (refer to specific product pages), and Mounting Brackets (see page 66).

Ordering Information

MSP Valve Working Sections (Must be ordered in multiples of 5)

Item	Outlet	Description	Output Per Outlet, in ³ (cm ³)	Model Number		
				Standard Section	With Cycle Pin – Right	With Cycle Pin – Left
1	Single	MSP-5S	0.010 (0.16)	562711	N/A	
		MSP-10S	0.020 (0.33)	562712		
		MSP-15S	0.030 (0.49)	562713		
		MSP-20S	0.040 (0.66)	562714	562729	562734
		MSP-25S	0.050 (0.82)	562715	562730	562735
		MSP-30S	0.060 (0.98)	562716	562731	562736
		MSP-35S	0.070 (1.15)	562717	562732	562737
		MSP-40S	0.080 (1.31)	562718	562733	562738
	Twin	MSP-5T	0.005 (0.08)	562720	N/A	
		MSP-10T	0.010 (0.16)	562721		
		MSP-15T	0.015 (0.26)	562722		
		MSP-20T	0.020 (0.33)	562723	562739	562744
		MSP-25T	0.025 (0.41)	562724	562740	562745
		MSP-30T	0.030 (0.49)	562725	562741	562746
MSP-35T	0.035 (0.57)	562726	562742	562747		
MSP-40T	0.040 (0.66)	562727	562743	562748		

Pre-Configured MSP Base Plate Assemblies

Includes inlets, intermediate base plate sections, end section, tie rods, and nuts.

Item	Maximum Number of Outlets	Number of Valve Sections	Model Number		Dimensions (for reference only)	
			NPSF	BSPP	A	B
2/3/4/5/6	6	3	24G485	24N915	3.6 in. (91.4 mm)	4.6 in. (116.8 mm)
	8	4	24G486	24N916	4.5 in. (114.3 mm)	5.0 in. (127.0 mm)
	10	5	24G487	24N917	5.4 in. (137.2 mm)	6.4 in. (162.6 mm)
	12	6	24G488	24N918	6.3 in. (160.0 mm)	7.4 in. (188.0 mm)
	14	7	24G489	24N919	7.3 in. (185.4 mm)	8.3 in. (210.8 mm)
	16	8	24G490	24N920	8.2 in. (208.3 mm)	9.2 in. (233.7 mm)

Series Progressive

Trabon® MSP Divider Valve

Ordering Information

Build Your Own MSP Base Plate Assemblies							
Item	Component	Description	Model Number				Note
			NPSF	BSPP	SAE	MET	
2	Intermediate base plate	Single section	563425	563447	563451		Must be ordered in multiples of 5
3	Inlet options <i>Additional specialty inlets available</i>	Standard	560919	560936	560943	560976	
		With bleed ports	563421		563422		
4	End section options	Standard	563424				
		With alternate inlet port plug	563279				
5	Tie rods (3 required)	3-section	557731				3 tie rods and tie rod nuts required for assembly
		4-section	557732				
		5-section	557733				
		6-section	557734				
		7-section	557735				
		8-section	557736				
		9-section	557738				
		10-section	557739				
		11-section	557740				
6	Tie rod nuts (3 required)	Tie rod nuts	556371				

Pipe, Piston Enclosure, and Indicator Port Plugs						
Item	Component	Model Number				Note
		NPSF	BSPP	SAE	MET	
7	Outlet Port Plug	557349 (NPT)	558799	567251 (with o-ring)		1 outlet port plug is required for each "S" valve section
8	Piston Enclosure Plug	557716				
9	Indicator Port Plug	557776				

Optional Components						
Item	Component	Description	Model Number	Note		
10	Crossport Bar	Right	563469	1 outlet port plug is required for each crossport bar		
		Left	563470			
		Right and Left	563471	2 outlet port plugs are required for each double crossport bar		
11	Singling Bar	Converts a "T" valve to an "S" valve	563472			
12	Bypass Block	MSP Bypass Section	562660			
13	Cycle Indicators and Proximity Switches	Magnetic Visual Cycle Indicator	563251			
		SPDT Cycle Switch, provides electrical signal to controller or PLC	563272			
		SPDT Cycle Switch, provides electrical signal to controller or PLC - Moisture Resistant	563273			
		6 Digit Mechanical Cycle Counter	563444			
		Proximity Switches	See Page 87			
14	Performance Indicators	Reset Indicator	See Page 82			
		Automatic Relief Indicator	See Page 83			
		Rupture to Atmosphere Indicator	See Page 85			
		Pressure Switches	See Page 88			
		Broken Line Indicator	See Page 89			
15	Mounting Brackets	Choose from universal, top, or side mounting	See Page 66			

Series Progressive

Trabon® MSP Modular Specialty Inlets

Shunt Inlet (oil and fluid grease only)

A three-way valve, either electronic or pneumatic: allows lubricant to enter divider valve, bypasses it to another divider valve, or diverts it back to tank. Replace standard inlet or mount in-line with remote manifold kit.

Shunt Inlet Components				
Component	Description	Connection Type		
		NPSF	BSPP	SAE
Shunt Inlet Sections	115 VAC, Hirschmann connection - left (NC)	563448	N/A	N/A
	115 VAC, BH 3-pin connection - right (NO)	563452	N/A	560953
	115 VAC, BH 3-pin connection - left (NC)	563453	N/A	563463
	24 VDC, BH 3-pin connection - right (NO)	563454	563493	563482
	24 VDC, BH 3-pin connection - left (NC)	563455	563494	563483
	Pneumatic Shunt Inlet, 1/8" NPSF air inlet	563456	N/A	N/A
Connection Cable	6 ft (3-pin) mini-straight connection cable	558021		
	12 ft (3-pin) mini-straight connection cable	558022		
Remote Mount Manifold Kit	Includes outlet manifold, o-ring and 2 mounting screws	563461	N/A	
Replacement Parts	115 VAC replacement solenoid	557213		
	24 VDC replacement solenoid	557215		
	115 VAC replacement coil	557214		

Zero-Leak Shut-Off Inlet (oil only)

A two-way valve that can be used with either continuous or intermittent pressurized harder systems. Replaces a standard inlet section or mounts in-line with a remote manifold kit.

Zero-Leak Shut-Off Inlet Components				
Component	Description	Connection Type		
		NPSF	BSPP	SAE
Zero-Leak Shut-Off Inlet Valve Section	115 VAC, 12 in. 2-wire lead connection	563457	N/A	N/A
	115 VAC, BH 3-pin connection	563460	N/A	563468
	24 VDC, BH 3-pin connection	563464	N/A	563467
Connection Cable	6 ft (3-pin) mini-straight connection cable	558021		
	12 ft (3-pin) mini-straight connection cable	558022		
Inlet Restrictor and Filter	Inlet restrictor with 90 micron last chance filter	563074	N/A	
Remote Mount Manifold Kit	Includes outlet manifold, o-ring and 2 mounting screws	563461	N/A	
Replacement Parts	115 VAC replacement coil	557226		
	24 VDC replacement coil	557225		
	Zero leak valve repair kit	563933		

Series Progressive

Trabon® MSP Mounting Accessories and Spare Parts

Ordering Information

Mounting Accessories							
Model Number	Description	Number of Valve Sections	Dimensions In. (mm)				
			A	B	C	D	E
560920	Mounting Bar (Fig. 1)		4 (101.6)	1-3/4 (44.5)	1 (25.4)	—	—
563465	Weld Bar Kit*		4 (101.6)	1-3/4 (44.5)	1 (25.4)	—	—
563435	Top Mounting Bracket (Fig. 2)	3 - 4	3-37/64 (90.9)	4-1/2 (114.3)	5-21/32 (143.7)	—	—
563436	Top Mounting Bracket (Fig. 2)	5 - 6	5-27/64 (137.7)	6-11/32 (161.1)	7-1/2 (190.5)	—	—
563437	Top Mounting Bracket (Fig. 2)	7 - 8	7-17/64 (184.5)	8-3/16 (208.0)	9-11/32 (237.3)	—	—
563438	Side Mounting Bracket (Fig. 3)	3 - 4	3-37/64 (90.9)	4-1/4 (114.3)	6-5/8 (168.3)	3-7/8 (187.3)	5-5/8 (142.9)
563439	Side Mounting Bracket (Fig. 3)	5 - 6	5-27/64 (137.7)	6-11/32 (161.1)	8-15/32 (215.5)	9-7/32 (234.2)	7-15/32 (198.7)
563440	Side Mounting Bracket (Fig. 3)	7 - 8	7-17/64 (184.5)	8-3/16 (208.0)	10-5/8 (262.0)	11-1/16 (281.0)	9-5/16 (236.5)

*Kit 563465 includes two mounting bars (560920), screws, washers, and lock washers.

Spare Parts

Model Number	Description
563929	MSP cycle pin indicator repair kit, o-ring
563928	MSP cycle pin indicator repair kit, gasket
556540	MSP o-ring (BUNA-N), black
557722	MSP high pressure o-ring (90 DURO Fluoroelastomer), green
122276	MSP standard high pressure o-ring (90 DURO Fluoroelastomer), black
556568	Piston enclosure o-ring
557721	MSP (70 Duro) Viton o-ring
556513	Valve block mounting screws
556514	Valve block mounting screw for crossport/singling plate
556327	Outlet check ball
557737	Outlet check spring

Fig. 1
Mounting Bar

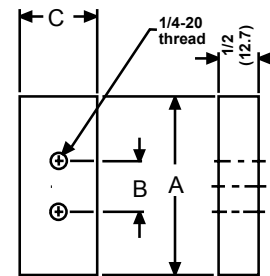


Fig. 2
Top Mount Bracket

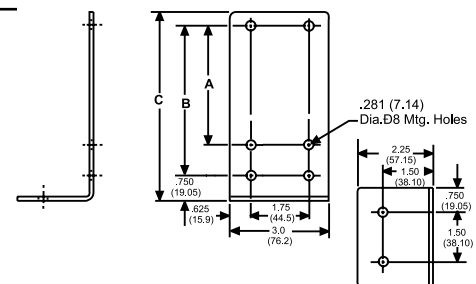
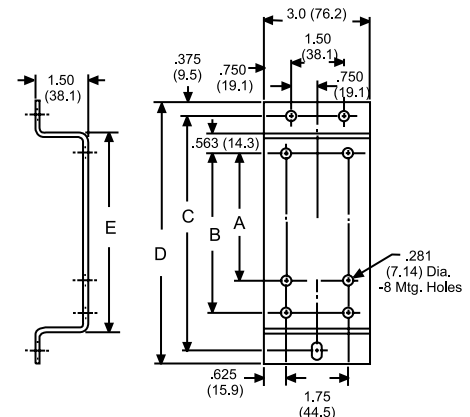


Fig. 3
Side Mount Bracket



Series Progressive

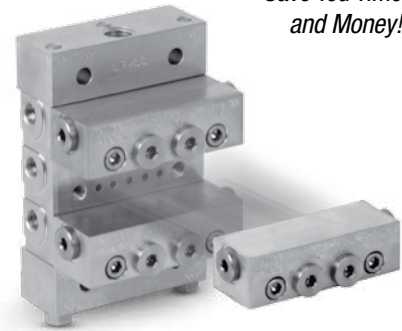
Trabon® MSP Stainless Steel Divider Valves

Features and Benefits

Trabon® MSP Series sets the industry standard for quality, reliability, and ease of use features. It was the original modular-style series progressive divider valve – and is still the best! Now get the same reliable valve in stainless steel.

- Face of valves can be fitted with optional performance indicators, taking the guesswork out of troubleshooting
- Can be easily accessorized with electronic proximity switches to provide positive assurance of a successful lube event
- Outlet checks ensure accurate lube delivery, every time
- Quick change valve sections can be removed from the base assembly without disturbing any lube lines—minimizing labor cost and maximizing your machine uptime
- Manufactured in our factory for quality and reliability. Each assembly is honed and match fitted for precise lube delivery every time

*Pre-Assembled and
Tested Base Plates
Save You Time
and Money!*



Typical Applications

- Machine tools, textile, glass and can machinery, and mobile equipment

Typical Fluids Handled

- Oil or Grease up to NLGI #2

Technical Specifications

Material.....	Stainless Steel
Maximum Pressure.....	3500 psi (241 bar)
Max Operating Temperature.....	140° F (60 °C)
Max Cycle Rate with Cycle Pin.....	60 cycles/minute
Max Cycle Rate without Cycle Pin.....	200 cycles/minute

Ordering Information

MSP Stainless Steel Working Sections (Must be ordered in multiples of five)			
Outlet	Description	Output Per Outlet, in ³ (cm ³)	Standard Section Model Number
Single	MSP-5S-SS	0.010 (0.16)	24B474
	MSP-10S-SS	0.020 (0.33)	562755
	MSP-15S-SS	0.030 (0.49)	24B475
	MSP-20S-SS	0.040 (0.66)	562756
	MSP-25S-SS	0.050 (0.82)	24B476
	MSP-30S-SS	0.060 (0.98)	24B477
	MSP-35S-SS	0.070 (1.15)	24B478
	MSP-40S-SS	0.080 (1.31)	562757
Twin	MSP-5T-SS	0.005 (0.08)	24B479
	MSP-10T-SS	0.010 (0.16)	562758
	MSP-15T-SS	0.015 (0.26)	24B480
	MSP-20T-SS	0.020 (0.33)	562759
	MSP-25T-SS	0.025 (0.41)	24B481
	MSP-30T-SS	0.030 (0.49)	24B482
	MSP-35T-SS	0.035 (0.57)	24B483
	MSP-40T-SS	0.040 (0.66)	562760

Series Progressive

Trabon® MSP Stainless Steel Divider Valves

Ordering Information

Pre-Configured MSP Stainless Base Plate Assemblies

Includes inlets, intermediate base plate sections, end section, tie rods, and nuts.

Maximum Number of Outlets	Number of Valve Sections	Model Number	
		NPSF	BSPP
6	3	24N382	24N388
8	4	24N383	24N389
10	5	24N384	24N390
12	6	24N385	24N391
14	7	24N386	24N392
16	8	24N387	24N393

Build Your Own MSP Stainless Base Plate Assemblies

Component	Description	Model Number	
		NPTF	BSPP
Intermediate base plate - SS*	Single section	24B497	24N369
Inlet - SS*	Standard inlet	15Y070	16P368
End section - SS*	Standard end section	24B498	
Tie rods - SS (3 required)	3-section**	126247	
	4-section**	126248	
	5-section**	126249	
	6-section**	126250	
	7-section**	126251	
	8-section**	126252	
	9-section**	15Y069	
10-section**	560956		
Tie rod nuts - SS (3 required)	Tie rod nuts	558633	

*Must be ordered in multiples of five. **Three tie rods and tie rod nuts required for assembly.

Additional Components

24B495	1000 psi reset indicator w/memory, o-ring seal
24B496	1500 psi reset indicator w/memory, o-ring seal
24N373	2000 psi reset indicator w/memory, o-ring seal
560974	303 SS MSP indicator port plug
560973	303 SS piston bore plug
555457	SS base closure plug accessory
24N945	Valve, relief, 1/8 NPT, 750 psi SST
24N948	Valve, relief, 1/8 NPT, 1500 psi SST
24N949	Valve, relief, 1/8 NPT, 2000 psi SST
24N951	Valve, relief, 1/8 NPT, 2500 psi SST
24N952	Valve, relief, 1/8 NPT, 3000 psi SST
24R631	Crossport bar, both
24R632	Crossport bar, right
24R633	Crossport bar left

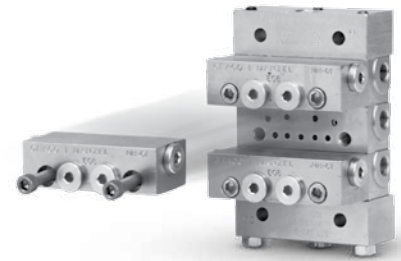
Series Progressive

Manzel® MHH Divider Valves

Features and Benefits

Same capable design as the Trabon MSP Series, with even tighter and more exacting tolerances. The Manzel MHH Series delivers highly accurate lube delivery for demanding high-pressure grease and oil applications.

- Quick change valve sections can be removed from the base assembly without disturbing any lube lines—minimizing labor cost and maximizing your machine uptime
- Can be easily accessorized with magnetic and electronic proximity switch cycle indicators to provide positive assurance of a successful lube event
- Alternate outlet on face of valves can be fitted with optional performance indicators, taking the guesswork out of troubleshooting
- Built-in outlet check valves ensure accurate lube delivery every time



Pre-Assembled and Tested Base Plates Now Available!

Typical Applications

- Compressors, industrial equipment, and where high-pressure lubrication is required

Typical Fluids Handled

- Oil or Grease up to NLGI #2

Technical Specifications

MaterialPlated Steel
 Maximum Pressure 7,500 psi (517 bar)
 Maximum Operating Temperature 350° F (176° C)
 Maximum Cycle Rate 200 cycles/minute

	Output Twin Outlet, in ³ (cm ³)	Output Single Outlet, in ³ (cm ³)
MHH6	0.006 (0.098)	0.012 (0.197)
MHH9	0.009 (0.149)	0.018 (0.295)
MHH12	0.012 (0.197)	0.024 (0.393)
MHH15	0.015 (.246)	0.030 (.492)
MHH18	0.018 (0.295)	0.036 (0.590)
MHH21	0.021 (.0344)	0.042 (0.688)
MHH24	0.024 (0.393)	0.048 (0.787)
MHH30	0.030 (0.492)	0.060 (0.983)

Ordering Information

MHH Working Sections (Must be ordered in multiples of five)			
562679	MHH-6S	562685	MHH-6T
562680	MHH-9S	562686	MHH-9T
562681	MHH-12S	562687	MHH-12T
24X029	MHH-15S	24X027	MHH-15T
562682	MHH-18S	562688	MHH-18T
24X030	MHH-21S	24X028	MHH-21T
562683	MHH-24S	562689	MHH-24T
562684	MHH-30S	562690	MHH-30T

Series Progressive

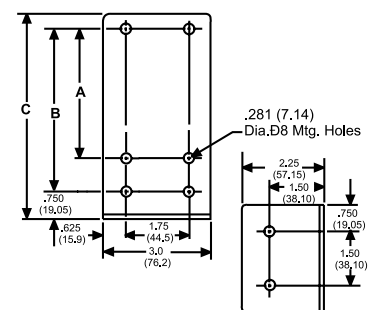
Manzel® MHH Divider Valves

Ordering Information

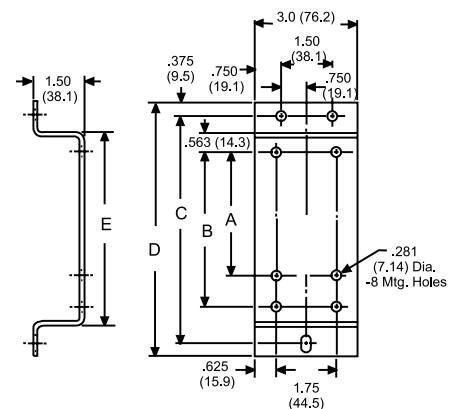
MHH Base Plate Assemblies - Inlet, Intermediates, Ends and Tie Rods	
24F596	MHH - 3 section, NPSF
24F597	MHH - 4 section, NPSF
24F598	MHH - 5 section, NPSF
24F599	MHH - 6 section, NPSF
24F600	MHH - 7 section, NPSF
24F601	MHH - 8 section, NPSF
MHH Inlets, Intermediates and Ends (must be ordered in multiples of five)	
560919	Inlet, 1/4-18 NPSF (NPT)
560936	Inlet, 1/4-19 BSPP
560943	Inlet, 7/16-20 UNF-28 (SAE)
560976	Inlet, 150 6149-1-M12X15
563421	Inlet, NPSF, bleed ports
563422	Inlet, SAE, bleed ports
563424	End, NPSF
563425	Intermediate, 1/8-27 NPSF
MHH Tie Rods and Nut	
557731	3-section tie rod
557732	4-section tie rod
557733	5-section tie rod
557734	6-section tie rod
557735	7-section tie rod
557736	8-section tie rod
556371	Tie rod nut
Accessories	
563469	Crossport bar, right
563470	Crossport bar, left
563471	Crossport bar, right and left
563472	Singling bar
563444	Counter
563465	Weld bar kit
563251	No weep cycle indicator
556540	Standard o-ring (BUNA-N), black
122276	High pressure o-ring (90 DURO Fluoroelastomer), green
556371	Tie rod nut (3 required per assembly)
557776	Indicator port plug
558799	BSPP (ISO1170) plug
567251	SAE plug with o-ring
557349	NPT plug
563928	Cycle pin indicator repair kit, gasket
563929	Cycle pin indicator repair kit, o-ring
Mounting	
560920	Mounting bar, 4 inch (101.6 mm) x 1-3/4 inch (44.5 mm) (B) 1 inch (25.4 mm) with 1/4 inch (6.4 mm)-20 thread
563435	Top-mount bracket, (A) 3-37/64 inch (90.9 mm) (B) 4-1/2 inch (114.3 mm) (C) 5-21/32 inch (143.7 mm)
563436	Top-mount bracket, (A) 5-27/64 inch (137.7 mm) (B) 6-11/32 inch (161.1 mm) (C) 7-1/2 inch (190.5 mm)
563437	Top-mount bracket, (A) 7-17/64 inch (184.5 mm) (B) 8-3/16 inch (208.0 mm) (C) 9-11.32 inch (237.3 mm)
563438	Side-mount bracket, (A) 3-37/64 inch (90.9 mm) (B) 4-1/4 inch (114.3 mm) (C) 6-5/8 inch (168.3 mm) (D) 3-7/8 inch (187.3 mm) (E) 5-5/8 inch (142.9 mm)
563439	Side-mount bracket, (A) 5-27/64 inch (137.7 mm) (B) 6-11/32 inch (161.1 mm) (C) 8-15.32 inch (215.5 mm) (D) 9-7/32 inch (234.2 mm) (E) 7-15/32 inch (198.7 mm)
563440	Side-mount bracket, (A) 7-17/64 inch (184.5 mm) (B) 8-3/16 inch (208.0 mm) (C) 10-5/8 inch (262.0 mm) (D) 11-1/16 inch (281.0 mm) (E) 9-5/16 inch (236.5 mm)

Series Progressive

Top Mount Hole Configuration



Side Mount Hole Configuration



Series Progressive

Trabon® MX Divider Valve

Features and Benefits

Greater output volumes for heavy service requirements make the Trabon MX Series ideal for steel and paper mill systems with its economical and compact design.

- Durable design withstands harsh environments and operating conditions
- Built-in outlet check valves ensure accurate lube delivery every time
- Can be easily accessorized with magnetic and electronic proximity switch cycle indicators to provide positive assurance of a successful lube event
- Alternate outlet on face of valves can be fitted with optional performance indicators, taking the guesswork out of troubleshooting

Typical Applications

- Pulp and paper, steel mills, heavy- and high-volume industrial applications

Typical Fluids Handled

- Oil or Grease up to NLGI #2

Technical Specifications

Material.....Plated Steel
 Maximum Pressure 3,000 psi (207 bar)
 Maximum Operating Temperature.....200° F (93° C)
 Maximum Cycle Rate with Cycle Pin.....60 cycles/minute
 Maximum Cycle Rate without Cycle Pin.....200 cycles/minute



Series Progressive

	Output Twin Outlet, in ³ (cm ³)	Output Single Outlet, in ³ (cm ³)	Cycle Indication
MX-25	0.025 (0.41)	0.050 (0.82)	Electronic proximity switch
MX-50	0.050 (0.82)	0.100 (1.64)	Electronic proximity switch, cycle indicator switch
MX-75	0.075 (1.23)	0.150 (2.46)	
MX-100	0.100 (1.64)	0.200 (3.28)	
MX-125	0.125 (2.05)	0.250 (4.10)	
MX-150	0.150 (2.46)	0.300 (4.92)	

Ordering Information

MX Working Sections	
562514	MX-25S
562515	MX-25T
562516	MX-50S
562517	MX-50T
562538	MX-75S
562539	MX-75T
562540	MX-100S
562541	MX-100T
562542	MX-125S
562543	MX-125T
562545	MX-150S
562546	MX-150T

Series Progressive

Trabon® MX Divider Valve

Ordering Information

MX w/Cycle Pin (Must be ordered in multiples of two)	
562523	MX-50T, with cycle pin indicator, right
562518	MX-50S, with cycle pin indicator, right
562524	MX-75T, with cycle pin indicator, right
562519	MX-75S, with cycle pin indicator, right
562525	MX-100T, with cycle pin indicator, right
562520	MX-100S, with cycle pin indicator, right
562526	MX-125T, with cycle pin indicator, right
562521	MX-125S, with cycle pin indicator, right
562527	MX-150T, with cycle pin indicator, right
562522	MX-150S, with cycle pin indicator, right
562533	MX-50T, with cycle pin indicator, left
562528	MX-50S, with cycle pin indicator, left
562534	MX-75T, with cycle pin indicator, left
562529	MX-75S, with cycle pin indicator, left
562569	MX-100T, with cycle pin indicator, left
562530	MX-100S, with cycle pin indicator, left
562535	MX-125T, with cycle pin indicator, left
562531	MX-125S, with cycle pin indicator, left
562536	MX-150T, with cycle pin indicator, left
562532	MX-150S, with cycle pin indicator, left
MX Tie Rods and Nut	
557488	3-section tie rod
557489	4-section tie rod
557490	5-section tie rod
557491	6-section tie rod
557492	7-section tie rod
557493	8-section tie rod
560576	9-section tie rod
560577	10-section tie rod
557494	Tie rod nut
MX Inlet and End Sections	
560620	MX inlet
563287	MX end
Accessories	
562916	Singling bar
562917	MX crossport bar, RH or LH
561102	MX mounting bar
557509	MX intermediate gasket (1 required per section)
557494	MX tie rod nut (8 required per assembly)
557323	MX enclosure plug seal, gasket
557391	1/4 inch (6.4 mm) NPT outlet plug for singled and crossported MX sections
563917	MX cycle indicator pin repair kit, current style

Series Progressive

Trabon® MXP Divider Valves

Features and Benefits

The Trabon MXP Series' greater output volume makes it easy to customize your assembly to meet larger machine requirements.

- Quick change valve sections can be removed from the base assembly without disturbing any lube lines—minimizing labor cost and maximizing your machine uptime
- Can be easily accessorized with magnetic and electronic proximity switch cycle indicators to provide positive assurance of a successful lube event
- Alternate outlet on face of valves can be fitted with optional performance indicators, taking the guesswork out of troubleshooting
- Built-in outlet check valves ensure accurate lube delivery every time

Typical Applications

- Pulp and paper, steel mills, heavy- and high-volume industrial applications

Typical Fluids Handled

- Oil or Grease up to NLGI #2

Technical Specifications

Material.....Plated Steel
 Maximum Pressure 3,000 psi (207 bar)
 Maximum Operating Temperature..... 350° F (176° C)
 Maximum Cycle Rate with Cycle Pin..... 60 cycles/minute
 Maximum Cycle Rate without Cycle Pin 200 cycles/minute

	Output Twin Outlet, in ³ (cm ³)	Output Single Outlet, in ³ (cm ³)	Cycle Indication
MXP-25	0.025 (0.41)	0.050 (0.82)	Electronic proximity switch
MXP-50	0.050 (0.82)	0.100 (1.64)	Electronic proximity switch, cycle indicator switch
MXP-75	0.075 (1.23)	0.150 (2.46)	
MXP-100	0.100 (1.64)	0.200 (3.28)	
MXP-125	0.125 (2.05)	0.250 (4.10)	
MXP-150	0.150 (2.46)	0.300 (4.92)	

Ordering Information

MXP Working Sections (Must be ordered in multiples of two)	
562813	MXP-25T
562819	MXP-25S
562814	MXP-50T
562820	MXP-50S
562815	MXP-75T
562821	MXP-75S
562816	MXP-100T
562822	MXP-100S
562817	MXP-125T
562823	MXP-125S
562818	MXP-150T
562824	MXP-150S
562835	MXP bypass



Series Progressive

Trabon® MXP Divider Valves

Ordering Information

MXP w/Cycle Pin - Right (Must be ordered in multiples of two)	
562830	MXP-50S
562831	MXP-75S
562832	MXP-100S
562833	MXP-125S
562834	MXP-150S
562825	MXP-50T
562826	MXP-75T
562827	MXP-100T
562828	MXP-125T
562829	MXP-150T
MXP Inlet, Intermediate Base and End Sections (Must be ordered in multiples of two)	
15R994	Inlet, 3/4-16 SAE o-ring ports
15R993	Inlet, 3/8-18 NPSF
561029	Inlet, 3/8-19 BSPP (ISO 1179)
563519	Intermediate base, 1/4-18 NPSF
563521	Intermediate base, 9/16-18 SAE o-ring
563522	Intermediate base, 1/4-19 BSPP (ISO 1179)
563527	Intermediate base w/outlet check, 1/4-18 NPSF
563518	End section
MXP Tie Rods and Nut (Three required per assembly)	
557766	3-section tie rod
557767	4-section tie rod
557768	5-section tie rod
557769	6-section tie rod
557770	7-section tie rod
557771	8-section tie rod
557772	9-section tie rod
563520	10-section tie rod
555406	Tie rod nut
MXP Accessories	
563524	Crossport, left
563525	Crossport, right
563526	Crossport, left and right
557773	MXP standard valve section seal, o-ring (90 DURO Fluoroelastomer)
555406	MXP tie rod nut (3 required per assembly)
563917	MXP cycle pin indicator repair kit, new style
557774	MXP enclosure plug
556572	Enclosure plug o-ring
557776	MXP indicator port plug
561102	Mounting bar

Series Progressive

Trabon® MGO Divider Valves

Features and Benefits

The Trabon MGO Series offers the largest output available in a series progressive system. Ideal for heavy-duty and large bearing applications with wide temperature variations and high volume requirements. Can be easily accessorized with magnetic and electronic proximity switch cycle indicators to provide positive assurance of a successful lube event.

- Alternate outlet on face of valves can be fitted with optional performance indicators, taking the guesswork out of troubleshooting
- Robust design is virtually indestructible and built to perform in extreme environments

Typical Applications

- Pulp and paper, steel mills, heavy- and high-volume industrial applications

Typical Fluids Handled

- Oil or Grease up to NLGI #2

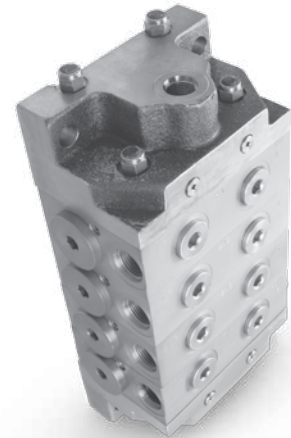
Technical Specifications

Material.....Plated Steel
 Maximum Pressure 6,000 psi (413 bar)
 Maximum Operating Temperature..... 350° F (176° C)
 Maximum Cycle Rate with Cycle Pin.....60 cycles/minute
 Maximum Cycle Rate without Cycle Pin200 cycles/minute

	Output Twin Outlet, in ³ (cm ³)	Output Single Outlet, in ³ (cm ³)	Cycle Indication
MGO-150	0.150 (2.46)	0.300 (4.92)	Electronic proximity switch, cycle indicator switch
MGO-300	0.300 (4.92)	0.600 (9.83)	
MGO-450	0.450 (7.37)	0.900 (14.7)	
MGO-600	0.600 (9.83)	1.200 (19.7)	

Ordering Information

MGO Working Sections	
562570	MGO-150S
562571	MGO-300S
562572	MGO-450S
562573	MGO-600S
562574	MGO-150T
562575	MGO-300T
562576	MGO-450T
562577	MGO-600T



Series Progressive

Trabon® MGO Divider Valves

Ordering Information

MGO with Cycle Pin - Right	
562578	MGO-150S
562579	MGO-300S
562580	MGO-450S
562581	MGO-600S
562582	MGO-150T
562583	MGO-300T
562584	MGO-450T
562585	MGO-600T
MGO Inlet and End	
563277	MGO inlet
563278	MGO end
MGO Spare Parts	
556424	Singled ported sections port plug
563926	1-section o-ring kit
MGO Tie Rods and Nut (Two (2) short tie rods and two (2) long tie rods required per assembly)	
560591	3-section tie rod - short
560592	4-section tie rod - short
560593	5-section tie rod - short
560594	6-section tie rod - short
560595	7-section tie rod - short
560596	8-section tie rod - short
560597	9-section tie rod - short
560598	10-section tie rod - short
560600	3-section tie rod - long
560601	4-section tie rod - long
560602	5-section tie rod - long
560603	6-section tie rod - long
15U857	7-section tie rod - long
560604	8-section tie rod - long
560605	9-section tie rod - long
560606	10-section tie rod - long
557494	Tie rod nut (2 required per tie rod)

Air Oil

Air Oil Series Valves

Features and Benefits

A Graco exclusive design! The Air Oil solution that detects air line or oil line faults in your system. Series progressive monitoring ensures your critical bearings are lubricated properly.

- Convenient manifold design mounts directly to the face of standard Graco series progressive divider valve assembly
- Check valve design prevents oil from being forced into the air system if lube lines get crushed or bearings get blocked
- Air combines with the oil after the fluid outlet check, preventing air from backing up into your source oil system
- Complete kits include manifold, air sensor, and check valves for easy installation

Typical Applications

- Steel mills, pulp and paper processing, high temperature and dirty environments

Typical Fluids Handled

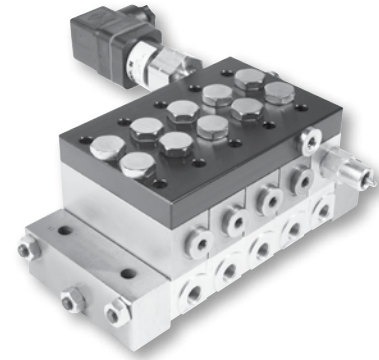
- Oil

Technical Specifications

Material..... Aluminum
 Minimum Air Pressure..... 45 psi (3.1 bar)
 Maximum Air Pressure 250 psi (17 bar)
 Output..... 3, 4, 5 or 6 Section Divider Valve Assemblies

Ordering Information

A0 Series Divider Valves	
24B237	Air/oil manifold assembly, 3-section
24B239	Air/oil manifold assembly, 4-section
24B240	Air/oil manifold assembly, 5-section
24B241	Air/oil manifold assembly, 6-section
24J814	Air/oil manifold assembly, 3-section without air sensor
24J815	Air/oil manifold assembly, 4-section without air sensor
24J816	Air/oil manifold assembly, 5-section without air sensor
24J817	Air/oil manifold assembly, 6-section without air sensor



24B240

Shown installed on MSP divider valve assembly

Air Oil

High Speed Spindl-Gard® Systems

Features and Benefits

The High-Speed Spindl-Gard® System is a highly efficient, cost-effective method for lubricating spindle bearings, using air/oil technology. Components include an electric motor driven pump, with 3 liter (0.8 gallon) plastic reservoir, air/oil dispensing module, and an optional programmable timer/controller (AC models only).

- Advanced air/oil concept provides highly effective lubrication, reduces oil consumption, lowers operating temperature and protects spindle bearings from coolant ingress and minimizes thermal distortion resulting in improved production accuracy
- Thin oil film dramatically reduces viscous shear and hydrodynamic drag on the bearing, resulting in reduced friction and lower energy consumption
- Airflow adjustment for each bearing point provides better control
- Oil output selectable for each bearing point helps to customize the system
- Eliminates the clean up and environmental problems that result from mist systems



Typical Applications

- Spindle Bearings

Typical Fluids Handled

- Oils up to ISO 460 (2500 SUS)

Technical Specifications

Pump Output	8.5 in ³ /minute (140 cc/minute)
Motor Power	1/8 HP
Motor Voltage and Current Consumption	115 ± 10% VAC, 50/60 Hz, 1 phase, 3.8 A in-rush, 1.8 A running, 230 ± 10% VAC, 50/60 Hz, 1 phase, 1.9A in-rush, 0.94A running, 24VDC, 60 w
Pressure Relief Setting	350 psi (34 bar)
Output Block Regulator	30-60 psi (2.07-4.14 bar)
Output Block Regulator	30-60 psi (2.07-4.14 bar)
Seals.....	Buna-N O-Rings
Plastic Reservoir	0.8 gal (3 liters)
Low-Level.....	N.C. (held open), 115/230 VAC, 10 watt
Controls Options Remote (External Control or Customer PLC).....	115/230 VAC, 1 ph, 50/60 Hz, 24 VDC
*AC Timer.....	115/230 VAC, 1 ph, 50/60 Hz
Work (On) Time.....	5-20 seconds
Pause (Off) Time	2.5-30 minute
Fault Output.....	(Dry Contacts), 5 amp max up to 230 VAC
Air Cleanliness.....	5 micron, 40° F (4° C) dew point
Operating Temperature	40° F to 120° F (4° C to 49° C)
Lube Output	0.0015, 0.0030 and 0.005 cu in/cycle (0.025, 0.049 and 0.082 cc/cycle)
Pressure Switch Set Points	
Air (N.C.)	25 psi (1.7 bar), nonadjustable
Oil (N.O.)	320 psi (22 bar), nonadjustable
Nozzles	Tube ID/Orifice Ratio (See Figure 2)
Delivery Tube Length.....	24 in to 50 ft (0.6 m to 15.24 m)

Lubricant Filtration: It is recommended that the lubricant in any lubrication system be filtered to the minimum level recommended by the Society of Automotive Engineers (SAE) which corresponds to the ISO Standard 4460 ratings/ specifications of ISO 18/14

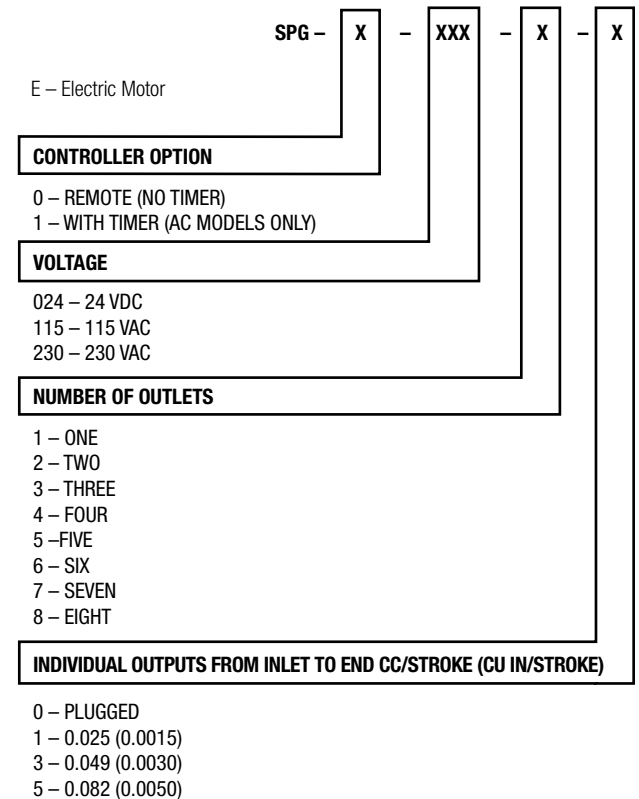
Air Oil

High Speed Spindl-Gard® Systems

Ordering Information

High Speed Spindl-Gard Systems	
24B219	SPG-E-1-115-2-1-1
24V204	SPG-E-1-115-2-5-5
24V531	SPG-E-1-230-5-5-5-5-5-5
258301	SPG-E-1-115-6-3-3-3-3-3-3
258347	SPG-E-1-115-6-3-3-3-1-1-3
564445	SPG-E-0-024-3-3-3-3
High Speed Spindl-Gard (HSSG) Blocks	
563130	0.0015 in ³ displacement
563131	0.0030 in ³ displacement
563132	0.0050 in ³ displacement
High Speed Spindl-Gard (HSSG) Components	
563489	10 micron oil filter element
561031	Inlet block
561032	Outlet block
Spindl-Gard Nozzles	
563127	Nozzle tube adapter
560478	10 in. nozzle tube - 2 outlet, 180°
560477	10 in. nozzle tube - 1 outlet, 90°
562994	End outlet nozzle
563128	Spray nozzle assembly for headwalls over 1 in. thick
Spindl-Gard Accessories	
563048	Injection point check valve, 1/8 in. NPTF
563049	Discharge point check valve, 1/8 in. NPTF
564337	Relief valve, 2 psi
563091	In-line lube filter, 2 micron, 1/4 in. NPSF (FM) to 1/4 in. NPTF (M)
557134	Replacement filter element - in-line lube filter
564348	Air flow switch with lights
563129	SG air/oil mixing tee
High Speed Spindl-Gard (HSSG) Tie Rod Kits - Nuts and Washers included	
564443	Tie rod kit - 1 air/oil lube point
563940	Tie rod kit - 2 air/oil lube point
564444	Tie rod kit - 3 air/oil lube point
15U854	Tie rod kit - 4 air/oil lube point
15U855	Tie rod kit - 5 air/oil lube point
563941	Tie rod kit - 6 air/oil lube point
563942	Tie rod kit - 7 air/oil lube point
15U856	Tie rod kit - 8 air/oil lube point

Spindl-Gard Ordering Menu Code



General Accessories

Trabon® Spra-Control™ Valve

Features and Benefits

- Conserves air—air required only during spray interval
- Versatile—can be used with any centralized lube system or mechanical oiler and will handle grease or oil
- External mix nozzle purges itself and prevents clogging
- Saves lubricant by spraying smaller amounts at frequent intervals, provides better film, with no waste

Typical Fluids Handled

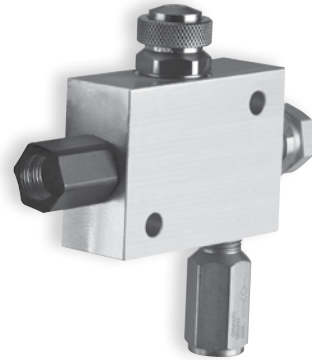
- Oil - minimum of 100 SUS at 100° F
- Grease - NLGI #1 at any temperature, NLGI #2 at 32° F or above

Technical Specifications

Minimum Air Pressure	20 psi (1.4 bar)
Maximum Air Pressure	150 psi 10.3 bar)
Spray Patterns	4 inch or 8 inch (10.2 cm or 20.3 cm)

Ordering Information

Gear Spray Valves	
563275	Air-lube control valve and nozzle assembly - 4 in. spray diameter, normal
563276	Air-lube control valve and nozzle assembly - 8 in. spray diameter, wide



Ball mills run at peak performance with Graco's Air-Lube Spra-Control Valve

General Accessories

Zone Valves

Features and Benefits

- Designed to custom fit lubrication systems and control when sections or zones of the system will receive lubricant
- Available in two- or three-way styles
- Three-way valves available with 12 VDC or 24 VDC
- Available with normally closed and normally open valves for added convenience
- DC models meet typical application requirements

Ordering Information

Zone Valves	
24P976	Two-way valve, 24 VDC, normally open, Deutsch cable, 3500 psi (241 bar)
24T296	Two-way valve, 24 VDC, normally closed, Deutsch cable, 3500 psi (241 bar)
24P977	Three-way valve, 24 VDC, normally closed, Deutsch cable, 3500 psi (241 bar)
24P978	Three-way valve, 12 VDC, normally closed, Deutsch cable, 3500 psi (241 bar)



24P976



24P977

General Accessories

Reset Indicator

Features and Benefits

- Provides quick troubleshooting tool with visual indication
- No tools for reset or parts to replace after indication
- Easy information on blocked lines, high system pressure or blocked bearings

Technical Specifications

Reset w/Memory psi (bar)	250 (17)	500 (35)	750 (52)	1000 (69)	1500 (103)	2000 (138)	2500 (172)
MJ	•	•	•	•	•	•	
MSP	•	•	•	•	•	•	•
MXP	•	•	•	•	•	•	•
MX	•	•	•	•	•	•	•
MGO					•		



563242

Simple point troubleshooting with visual indication

Ordering Information

Divider Valve Reset Indicator w/Memory for MJ, MSP, MHH and MXP	
563231	250 psi (17 bar)
563232	500 psi (35 bar)
563233	750 psi (52 bar)
563234	1,000 psi (69 bar)
563235	1,500 psi (103 bar)
563236	2,000 psi (138 bar)
563237	2,500 psi (172 bar)
563238	3,500 psi (241 bar)
Divider Valve Reset Indicator w/Memory and O-Ring Seal for MX	
563239	250 psi (17 bar)
563240	500 psi (35 bar)
563241	750 psi (52 bar)
563242	1,000 psi (69 bar)
563243	1,500 psi (103 bar)
563244	2,000 psi (138 bar)
563245	2,500 psi (172 bar)
Divider Valve Reset Indicators w/Memory and O-Ring Seal for MSP, MHH and MXP	
563252	250 psi (17 bar)
563253	500 psi (35 bar)
563254	750 psi (52 bar)
563255	1,000 psi (69 bar)
563256	1,500 psi (103 bar)
563257	2,000 psi (138 bar)
563258	2,500 psi (172 bar)
563261	3,000 psi (207 bar)
563262	5,000 psi (345 bar)
563263	3,500 psi (241 bar)
Divider Valve Reset Indicators w/Memory and O-Ring Seal for MGO	
564200	1,500 psi (103 bar)

General Accessories

Automatic Relief Indicator

Features and Benefits

These performance indicators pinpoint lube line blockages but allow the lube system to continue to supply lubrication to points that are not blocked.

- Allows machine to continue to run while non-critical bearings are lubricated
- No time or effort required for reset after blockage is cleared
- Easy information on blocked lines, high system pressure or blocked bearings

Typical Applications

- Works with MSP, MX, MXP, MJ and MHH divider valves

Technical Specifications

Auto Relief psi (bar)	750 (52)	1,000 (69)	1,250 (86)	1,500 (103)	2,000 (138)	2,500 (172)	3,000 (207)
MJ	•	•		•	•		
MSP	•	•	•	•	•	•	•
MXP	•	•	•	•	•	•	•
MX		•		•	•	•	•



563159

Keep your machine running while lubrication gets to critical points

Ordering Information

Divider Valve Automatic Relief Indicators	
563156	Works with MX, 750 psi (52 bar)
563157	Works with MX, 1,000 psi (69 bar)
563158	Works with MX, 1,500 psi (103 bar)
563159	Works with MX, 2,000 psi (138 bar)
563160	Works with MX, 2,500 psi (172 bar)
563161	Works with MX, 3,000 psi (207 bar)
563163	Works with MSP, MXP, MHH, and MJ, 750 psi (52 bar)
563164	Works with MSP, MXP, MHH, and MJ, 1,000 psi (69 bar)
563165	Works with MSP, MXP, MHH, and MJ, 1,250 psi (86 bar)
563166	Works with MSP, MXP, MHH, and MJ, 1,500 psi (103 bar)
563167	Works with MSP, MXP, MHH, and MJ, 2,000 psi (138 bar)
563168	Works with MSP, MXP, MHH, and MJ, 2,500 psi (172 bar)
563169	Works with MSP, MXP, MHH, and MJ, 3,000 psi (207 bar)
563170	MSP, MXP, and MHH, 750 psi (52 bar) with o-ring seal
563171	MSP, MXP, and MHH, 1,000 psi (69 bar) with o-ring seal
563172	MSP, MXP, and MHH, 1,250 psi (86 bar) with o-ring seal
563173	MSP, MXP, and MHH, 1,500 psi (103 bar) with o-ring seal
563174	MSP, MXP, and MHH, 2,000 psi (138 bar) with o-ring seal
563175	MSP, MXP, and MHH, 2,500 psi (172 bar) with o-ring seal
563176	MSP, MXP, and MHH, 3,000 psi (207 bar) with o-ring seal
115122	Pressure relief valve to atmosphere, 1/8" NPT male, 4,000 psi (276 bar)

General Accessories

Rupture Indicator

Features and Benefits

Used on MH divider valve applications where lube system pressures exceed 2,500 psi.

- High pressure from blockage causes a disc to rupture
- Lubricant forces an indicator pin to protrude, indicating the blockage
- High pressure backs up through the system and trips a switch to shut the system off
- When fault is corrected, disc must be replaced and pin reset

Typical Applications

- Works with MHH divider valves

Ordering Information

Divider Valve Rupture Indicators w/Memory	
563220	3,700 psi (255 bar)
563227	7,300 psi (503 bar)
563228	2,800 psi (193 bar)
564355	4,600 psi (317 bar)
563223	5,500 psi (379 bar)
563225	6,400 psi (441 bar)
563229	2,800 psi (193 bar) with o-ring seal
563221	3,700 psi (255 bar) with o-ring seal
563222	4,600 psi (317 bar) with o-ring seal
563224	5,500 psi (379 bar) with o-ring seal
563226	6,400 psi (441 bar) with o-ring seal
Replacement Rupture Discs	
557422	2,800 psi (193 bar)
557423	3,700 psi (255 bar)
557424	4,600 psi (317 bar)
557425	5,500 psi (379 bar)
557427	6,400 psi (441 bar)
557428	7,300 psi (503 bar)
557429	8,200 psi (565 bar)



563227

Know quickly when critical bearings aren't getting lubricated

General Accessories

Rupture to Atmosphere Indicator

Features and Benefits

- Used in conjunction with system pressure switch—can warn of a fault while allowing lube system to continue to deliver to critical bearings
- Requires replacement of the rupture disc to restart the lube system
- Easy information on blocked lines, high system pressure or blocked bearings



563182

Blockages are easy to detect with the simple Rupture to Atmosphere indicator

Rupture to Atmosphere psi (bar)	1,450 (100)	1,750 (121)	2,050 (141)	2,350 (162)	2,950 (203)	3,250 (224)
MJ		•		•	•	•
MSP		•		•	•	•
MX	•	•	•	•	•	

Ordering Information

Rupture-to-Atmosphere Indicators for MJ, MSP, MHH and MXP	
564059	1,750 psi (121 bar), 1/8 inch-27 inch (.3175 cm-68.6 cm) npt(f)
563191	2,350 psi (162 bar), 1/8 inch-27 inch (.3175 cm-68.6 cm) npt(f)
563192	2,950 psi (203 bar), 1/8 inch-27 inch (.3175 cm-68.6 cm) npt(f)
563193	3,250 psi (224 bar), 1/8 inch-27 inch (.3175 cm-68.6 cm) npt(f)
563194	5,000 psi (345 bar), 1/8 inch-27 inch (.3175 cm-68.6 cm) npt(f)
563218	6,400 psi (441 bar), 1/8 inch-27 inch (.3175 cm-68.6 cm) npt(f)
563219	7,300 psi (503 bar), 1/8 inch-27 inch (.3175 cm-68.6 cm) npt(f)
563217	5,500 psi (379 bar), 1/8 inch-27 inch (.3175 cm-68.6 cm) npt(f)
Rupture-to-Atmosphere Indicators for MX	
563179	1,450 psi (100 bar), 1/4 inch-18 inch (.635 cm-45.7 cm) npt(f)
563182	1,750 psi (121 bar), 1/4 inch-18 inch (.635 cm-45.7 cm) npt(f)
563183	2,050 psi (141 bar), 1/4 inch-18 inch (.635 cm-45.7 cm) npt(f)
563184	2,350 psi (162 bar), 1/4 inch-18 inch (.635 cm-45.7 cm) npt(f)
563185	2,950 psi (203 bar), 1/4 inch-18 inch (.635 cm-45.7 cm) npt(f)
563186	1,450 psi (100 bar), 1/4 inch-18 inch (.635 cm-45.7 cm) npt(f), with spud assembly
563187	1,750 psi (121 bar), 1/4 inch-18 inch (.635 cm-45.7 cm) npt(f), with spud assembly
563188	2,350 psi (162 bar), 1/4 inch-18 inch (.635 cm-45.7 cm) npt(f), with spud assembly
Replacement Rupture Packs of 6 (11/16 inch / 17.5 mm diameter discs)	
563962	1,450 psi (100 bar) - yellow
563963	1,750 psi (121 bar) - red
563964	2,050 psi (141 bar) - orange
563965	2,350 psi (162 bar) - aluminum
563966	2,940 psi (203 bar) - blue
Replacement Rupture Packs of 25 (3/8 inch / 9.5 mm diameter discs)	
563952	900 psi (62 bar) - black
563954	1,450 psi (100 bar) - yellow
563955	1,750 psi (121 bar) - red
563956	2,050 psi (141 bar) - orange
563957	2,350 psi (162 bar) - aluminum
563958	2,650 psi (183 bar) - pink
563959	2,950 psi (203 bar) - blue
563960	3,250 psi (224 bar) - purple
563961	5,000 psi (345 bar) - brown

General Accessories

Magnetic Visual Indicator

Features and Benefits

Six steel balls in a clear sleeve follow a magnet which moves with the cycling piston, providing a clear visual indication of lube cycles.

Ordering Information

Divider Valve Cycle Indicators and Switches	
563251	MS/MHH visual cycle indicator assembly - o-ring seal
563260	MX/MXP visual cycle indicator assembly
563250	MS/MHH visual cycle indicator assembly - gasket seal



563251

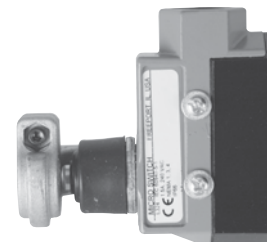
Cycle Switch

- Monitors piston movement to ensure completed lubrication cycle—must have cycle indicator pin
- Provides positive feedback based on actual metering piston movement
- Mounts to MJ, MSP, MXP, or MX divider with cycle pin option with simple install
- Able to be set for normally open or normally closed operation

Technical Specifications

Voltage	Amp Rating
125/250/480 VAC	15A
125 VDC	1/2A
250 VDC	1/4A
24 VDC	6A*

*non-inductive



563272

Integrates to controllers, starters or PLCs

Ordering Information

Cycle Switches	
563270	MD-2, cycle switch, bracket assembly
563271	MD-3, cycle switch, bracket assembly
564356	MD-4, cycle switch, bracket assembly
563269	MGO cycle switch (SPDT), bracket assembly
557781	Replacement cycle switch for 563269, 563270, 563271, 564356, 563272
564357	MHP cycle switch (DPDT) bracket assembly
563272	MJ/MS/MHH/MXP cycle switch (SPDT) bracket assembly
563273	MJ/MS/MHH/MXP cycle switch (SPDT) bracket assembly - moisture resistant
557546	Replacement bracket - 563272, 563273, 564357

General Accessories

Proximity Switches

Features and Benefits

- Available in 115 VAC or 12-32 VDC
- Available for all series progressive families to provide cycle rates up to 200 CPM
- Pressure ratings up to 10,000 psi (690 bar)
- Variety of electrical connections and voltages with or without LED indication
- Select models available with UL and CSA approvals

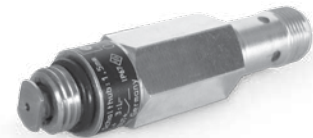


557747

Magnetically-operated sensing devices for sending system data to the controller or PLC

Ordering Information

Divider Valve Proximity Switches	
24K415	DC PNP, 10-36 VDC, 7/16 inch (11.1 mm) thread, M12 connection, USP/MSP/MHH
558938	FSM., 115 VAC, 5-pin BH - MXP/MX
563495	FSM., 20-28 VDC, 4-pin CH - MGO
563970	FSM., 115 VAC, 3-pin CH - MGO
564400	FSmech, 20-32 VDC, 5-pin BH, LED - MXP/MX
564401	FSmech, 115 AC or 10-32 VDC, explosion proof - MXP/MX
557752	FSM., 20-28 VDC, 4-pin CH - MXP/MX
563969	FSM., 115 VAC, 3-pin BH - MXP/MX
563476	FSM., 115 VAC, 3-pin BH - MXP/MX
557747	FSM., 12-23 VDC, 4-pin CH - MSP/MHH
557741	FSM., 115 VAC, 3-pin BH - MSP/MHH
557746	FSM., 115 VAC, 5-pin BH - MSP/MHH
563486	FSmech, 12-32 VDC, 3-pin BH, LED - MXP/MX
563478	FSmech, 12-32 VDC, 3-pin BH, LED - MSP/MHH
563501	FSmech, 12-32 VDC, 4-pin micro, LED - MSP/MHH
563477	FSmech, 12-32 VDC, 5-pin BH, LED - MSP/MHH
563484	FSmech, AC/DC, 5-pin BH - MSP/MH
557745	FSM, explosion-proof, 115 VAC, MSP/MHH
563485	FSmech, explosion-proof, 115 VAC or 10-32 VDC, MSP/MHH
563427	Reed type, 115 VAC or 10-32 VDC, 1/2 inch (12.7 mm) NPT, MSP/MHH
564402	O-ring seal style cycle-Indicator proximity switch for MGO
564399	O-ring seal style proximity switch
564403	O-ring seal style cycle-Indicator proximity switch for MX and MXP
558933	Magnetic proximity cycle switch
558018	Replacement switch housing for 563427
Proximity Switch Connector Cables	
124333	M12 cable, male and female, 16 feet (4.88 m)
558021	3-pin cable, straight connector - 6 feet (1.83 m)
558022	3-pin cable, straight connector - 12 feet (3.66 m)
558025	4-pin cable, straight connector, polarity - PNP - 12 feet (3.66 m)
558026	4-pin cable, 90° connector, polarity - PNP - 12 feet (3.66 m)
558023	5-pin cable, straight connector - 6 feet (1.83 m)
558024	5-pin cable, straight connector - 12 feet (3.66 m)



24K415

General Accessories

Pressure Switches

Features and Benefits

- Easy to visually adjust line pressure and reset pressure to ensure your lube system has vented properly
- LED lights visually display pressure switch functions
- Modern 4-pin M12 micro-connector easily connects to the G3 and other controllers
- Turns off your pump or controller and activates venting once the lube system reaches the desired pressure level
- 1/4 NPT thread allows quick connection to injector systems



24K414

IP67 rated – Durable design allows it to operate in harsh environments

Ordering Information

Pressure Switches	
24K414	Set pressure range 290-580 psi (20-40 bar), reset pressure range 175-5,685 psi (12-392 bar), M12 connector (female), 9.6-32 VDC, 1/4 inch (7.6 cm) NPT thread (male)

Features and Benefits

- Moisture resistant and factory set to ensure accuracy for long life and reliability
- Sends an alarm signal to alert either a high- or low-pressure condition
- Available for hydraulic pressures from 10 to 4,700 psi

Ordering Information

Pressure Switches	
557830	1,500 psi (103 bar), 10-150 psi (.7-10 bar) adjustable range (factory set @ 50 psi / 10 bar), moisture-resistant
557828	4,700 psi (324 bar), 400-4,700 psi (28-324 bar) adjustable range (factory set @ 750 psi / 52 bar), moisture-resistant
557829	4,700 psi (324 bar), 400-4,700 psi (28-324 bar) adjustable range (factory set @ 1,150 psi / 79 bar), moisture-resistant



557829

Features and Benefits

- High-low, adjustable pressure switches

Ordering Information

Pressure Switches	
115124	Single post pressure switch
558947	Dual post control pressure switch
24N180	IP65 rated for harsh environments. Fluoroelastomer seals are suitable for use in high temperature environments and synthetic lubricants. Large orifice reduces grease solidification. Din connector. Adjustable from 580-5,800 psi (40-400 bar). 1/4 inch BSPP inlet.
24N181	IP65 rated for harsh environments. Fluoroelastomer seals are suitable for use in high temperature environments and synthetic lubricants. Large orifice reduces grease solidification. Din connector. Adjustable from 580-5,800 psi (40-400 bar). 1/4 inch NPT inlet.



115124



24N181

General Accessories

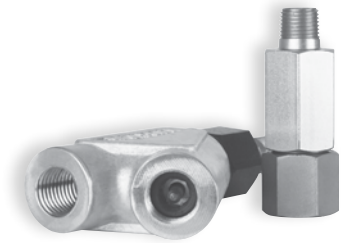
Broken Line Indicators

Features and Benefits

- Monitors lube line integrity to ensure lubricant is delivered to critical bearings
- Provides a visual or electronic indication
- Works with terminating oil or grease systems as well as recirculating systems

Technical Specifications

	BLI500	BLI1000	BLI1500
Simulator Pressure	60 psi (4.1 bar)	100 psi (6.9 bar)	150 psi (10.3 bar)
Maximum Pump Pressure	1,000 psi (69.0 bar)	1,500 psi (103.4 bar)	2,500 psi (172.4 bar)



563078

The only device that provides visual indication that bearing lines are intact

Ordering Information

Broken Line Indicators	
563068	500 psi (34.5 bar) indicator
563069	1,000 psi (68.9 bar) indicator
563070	1,500 psi (103.4 bar) indicator
563075	60 psi (4.1 bar) simulator
563076	100 psi (6.9 bar) simulator
563077	150 psi (10.3 bar) simulator
563078	Broken line indicator kit - 563068, 563075
563079	Broken line indicator kit - 563069, 563076
563080	Broken line indicator kit - 563070, 563077

General Accessories

Filters and Brushes

Ordering Information

Inlet and In-Line Oil Filters - Non-Replaceable Elements	
563091	MSP Standard Inlet 10 micron Oil Filter, NPT
563094	MSP Standard Zero Leak Shunt Valve Inlet 90 micron Oil Filter, NPT
563074	MSP Standard Zero Leak Inlet 90 micron Oil Filter/Restrictor, NPT
563073	MSP Zero Leak Shunt Valve Inlet 90 micron Oil Filter, SAE
563480	MSP Modular Zero Leak Valve 25 micron Oil Filter
Single and Dual Cartridge Filter and Replacement Filter Spare Parts	
557803	10 micron Replacement Filter Element - 564004, 183-000-141
557806	10 micron Replacement Filter Element - 183-000-071, 183-000-201
557804	25 micron Replacement Filter Element - 562883, 183-000-051, 183-000-151
557807	25 micron Replacement Filter Element - 183-000-081, 183-000-121, 183-000-211
557811	1-2 micron Extra-Long Replacement Filter Cartridge
Spin-On Oil Filters	
563092	10 micron Spin-On Filter Assembly, NPT, Internal 25 psi (1.7 bar) Bypass
563095	10 micron Spin-On Filter Assembly, NPT, External 150 psi (10.3 bar) Relief
564343	10 micron Remote Mount Spin-On Filter Assembly, NPT, Fill Stud
563096	25 micron Spin-On Filter Assembly, NPT, External 150 psi (10.3 bar) Relief
563100	25 micron Spin-On Filter Assembly, ISO 6149, External 150 psi (10.3 bar) Relief
563093	10 micron Replacement Filter Element - 563092, 563095, 564343
563097	25 micron Replacement Filter Element - 563096, 563100
In-Line Oil Filters - High-Pressure	
563511	10 micron In-Line Oil Filter, NPT
563512	25 micron In-Line Oil Filter, NPT
563513	10 micron In-Line Oil Filter, SAE
563514	25 micron In-Line Oil Filter, SAE
563516	10 micron In-Line Oil Filter, BSPP (ISO 1179)
563515	25 micron In-Line Oil Filter, BSPP (ISO 1179)
563509	10 micron Replacement Filter Element - 563511, 563513, 563516
563510	25 micron Replacement Filter Element - 563512, 563514, 563515
In-Line Oil/Grease Filters - High-Pressure	
563508	44 micron, 325 Mesh In-Line Block Strainer (NPT)
563507	149 micron, 100 Mesh In-Line Block Strainer (NPT)
564406	149 micron, 100 Mesh In-Line Block Strainer, BSPP (ISO 1179)
557701	44 micron Replacement Filter Element - 563508
557700	149 micron Replacement Filter Element - 563507, 564406
In-Line Oil Filters - Low-Pressure, Thrif-T Luber Orifice System	
564053	Thrif-T Luber (TLLF-00) 25 micron In-Line Oil Filter, NPT
557132	Replacement Filter Element - 564053

Oil/Grease Strainers	
563103	44 micron, 325 Mesh Fill-Point Strainer
563102	149 micron, 100 Mesh Fill-Point Strainer
563145	350 micron, 40 Mesh Fill-Point Strainer
557154	44 micron Replacement Filter Element - 563103
557153	149 micron Replacement Filter Element - 563102
557779	350 micron Replacement Filter Element - 563145
Single Cartridge Type Filters w/Electrical and Visual Indicator	
564003	10 micron Filter, BSPP Thread
564004	20 micron Filter, BSPP Thread
564005	10 micron Filter, ISO 6149 Thread
564006	20 micron Filter, ISO 6149 Thread
562880	10 micron Filter, SAE ISO 11026 Thread
564007	20 micron Filter, SAE ISO 11926 Thread F865
Single Cartridge Type Filters w/Visual Indicator	
562881	10 micron Filter, BSPP Thread
564008	20 micron Filter, BSPP Thread
564009	10 micron Filter, ISO 6149 Thread
564010	20 micron Filter, ISO 6149 Thread
562882	10 micron Filter, SAE ISO 11026 Thread
562883	20 micron Filter, SAE ISO 11926 Thread F865
Brushes/Applicators	
124089	Brush, pighair, 1/4 fnpt x 3/4
124090	Brush, Oil, 1 x 1.5
124091	Brush, Oil, 1 x 2.4
124092	Brush, Oil, 1 x 4
124114	Brush, Nylon, 1/8 mnpt x 5/8
124115	Brush, Nylon, 1/8 mnpt x 2
124113	Applicator, Felt Chain, 2 x .5
124119	Paddle, Lube, Open Gear



124089



124119



124113

General Accessories

Fittings

Ordering Information

Pipe Fittings	
560532	45° Street Elbow - 1/4 inch (6.4 mm) Female x 1/4 inch (6.4 mm) Male, Steel
560530	90° Street Elbow - 1/4 inch (6.4 mm) Female x 1/8 inch (3.2 mm) Male, Steel
15M045	90° Street Elbow - 1/4 inch (6.4 mm) Female x 1/4 inch (6.4 mm) Male, Steel
560533	90° Street Elbow - 1/8 inch (3.2 mm) Female x 1/4 inch (6.4 mm) Male, Steel
560534	Fitting - Street Elbow, 3/8 inch (9.5 mm) Male x 3/8 inch (9.5 mm) Female
560528	Hex Coupling - 1/8 inch (3.2 mm) Female, Steel
556402	Reducing Brushing - 1/4 inch (6.4 mm) Male x 1/8 inch (6.4 mm) Female, Steel
563178	Extension Nipple - 1/8 inch (6.4 mm) Female x 1/8 inch (6.4 mm) Male, 2-1/4 inch (5.7 cm) Length, Steel
556632	Male Connector - 1/4 inch (6.4 mm) T x 1/8 inch (3.2 mm) Male, Brass
556633	Male Connector - 1/4 inch (6.4 mm) T x 1/4 inch (6.4 mm) Male, Brass
556634	Male Elbow - 1/4 inch (6.4 mm) T x 1/8 inch (3.2 mm) Male, Brass
555726	Male Elbow - 1/4 inch (6.4 mm) T x 1/4 inch (6.4 mm) Male, Brass
555727	Tube Sleeve - 3/16 inch (4.8 mm) T, Brass
556635	Tube Sleeve - 1/4 inch (6.4 mm) T, Brass
Straight and Angle Swivels	
563212	90° Angle Swivel - 1/8 inch (3.2 mm)
563214	90° Angle Swivel - 1/4 inch (6.4 mm)
564350	90° Angle Swivel - 1/2 inch (12.7 mm)
563213	180° Straight Swivel - 1/8 inch (3.2 mm)
563215	180° Straight Swivel - 1/4 inch (6.4 mm)
563154	180° Straight Swivel - 1/2 inch (12.7 mm)
564352	180° Straight Swivel - 1 inch (2.5 cm)
563146	90° Compact Swivel - 1/4 inch (6.4 mm)
563147	180° Compact Swivel - 1/4 inch (6.4 mm)
563150	180° Compact Swivel - 1/8 inch (3.2 mm)
563148	90° Swivel Adapter - 1/8 inch (3.2 mm) NPT x 1/8 inch (3.2 mm) NPT Female
Tube Fittings	
556448	Zerk Adapter Quick Fitting
556636	Male Tee - 5/16 inch (7.9 mm) Tube, 1/8 inch (3.2 mm) NPTF
556637	Union Tee - 5/16 inch (7.9 mm) Tube
556638	Male Elbow - 3/16 inch (4.8 mm) Tube 1/8 inch (3.2 mm) NPTF
556639	Male Elbow - 5/16 inch (7.9 mm) Tube, 1/8 inch (3.2 mm) NPTF
556640	Male Elbow - 5/16 inch (7.9 mm) Tube, 1/4 inch (6.4 mm) NPT
556642	Female Connector - 3/16 inch (4.8 mm) Tube, 1/8 inch (3.2 mm) NPT
556643	Female Connector - 5/16 inch (7.9 mm) Tube, 1/8 inch (3.2 mm) NPT
556644	Male Connector - 3/16 inch (4.8 mm) Tube, 1/8 inch (3.2 mm) NPTF
556645	Male Connector - 5/16 inch (7.9 mm) Tube, 1/8 inch (3.2 mm) NPTF
556646	Male Connector - 5/16 inch (7.9 mm) Tube, 1/4 inch (6.4 mm) NPT
556647	Union - 3/16 inch (4.8 mm) Tube
556648	Union - 5/16 inch (7.9 mm) Tube
556649	Nut - 3/16 inch (4.8 mm) Tube

556650	Nut - 5/16 inch (7.9 mm) Tube
556652	Sleeve - 3/16 inch (4.8 mm) Tube
556653	Sleeve - 5/16 inch (7.9 mm) Tube
556656	5/16 inch (7.9 mm) Tube Brass Insert - Minimum Order of 20 (Price Each)
556660	3/16 inch (4.8 mm) Tube Nut and Sleeve
562995	Male Connector - 3/16 inch (4.8 mm) Tube, 1/4-28 inch (6.4 mm-71.1 cm) SAE Male
556661	Straight Connector - Push-to-Connect 3/16 inch (4.8 mm) Tube, 1/8 inch (3.2 mm) PM
556662	Elbow - 90 feet (27.4 m), Push-to-Connect 3/16 inch (4.8 mm) Tube, 1/8 inch (3.2 mm) PM
556666	5/16 inch (7.9 mm) Tube Nut and Sleeve
556670	90° Elbow - 3/16 inch (4.8 mm) Tube, 1/8 inch (3.2 mm) NPT Female
15K783	90° Elbow - 1/8 inch (3.2 mm) NPTF Male/Female
557395	45° Street Elbow - 1/8 inch (3.2 mm) NPTF Male/Female
560534	Street Elbow Fitting - 3/8 inch (9.5 mm) Male, 3/8 inch (9.5 mm) Female
563759	Air-Operated Tractor Hardware Package - 30 Point
557954	Adapter - 45° Elbow, 1/4-28 inch (6.4 mm-71.1 cm) SAE Male x 1/8 inch (3.2 mm) NPTF Female
557968	Zerk Fitting - 1/8 inch (3.2 mm) NPT @ 65° Angle
563776	Zerk Adapter - 90°
563777	Zerk Adapter - Straight
Miscellaneous Adapters and Fittings	
556403	Reducing Bushing - 3/8 inch (9.5 mm) NPT x 1/8 inch (3.2 mm) NPT Female
556407	Fitting Tee - 1/8 inch (6.4 mm) Male x (2) 1/8 inch (6.4 mm) Female
556420	Fitting Tee - 1/4 inch (6.4 mm) Male x (2) 1/4 inch (6.4 mm) Female
15M037	Press-to-Fit - 1/8 inch (3.2 mm) NPSF
563148	90° Swivel Adapter - 1/8 inch (3.2 mm) NPT x 1/8 inch (3.2 mm) NPT Female
557392	Extension - 1/8 inch (3.2 mm) NPT x 1/8 inch (3.2 mm) NPTF, 3/4 inch (19 mm) Long
557393	Extension - 1/8 inch (3.2 mm) NPT x 1/8 inch (3.2 mm) NPTF, 1-1/4 inch (3.18 cm) Long
557950	Bulkhead FTG - 1/8 inch (3.2 mm) NPT
15K740	Elbow Adapter - 1/4-28 inch (6.4 mm-71.1 cm) SAE Male x 1/8 inch (3.2 mm) NPTF Female
15K784	Elbow Adapter - 1/4-28 inch (6.4 mm-71.1 cm) SAE Male x 1/8 inch (3.2 mm) NPTF Female, Short
557955	Straight Adapter - 1/4-28 inch (6.4 mm-71.1 cm) SAE Male x 1/8 inch (3.2 mm) NPTF Female
Hose Fittings	
555749	Connector - 1/8 inch (3.2 mm) NPT, #4 JIC
556762	Connector - 1/4 inch (6.4 mm) NPT, #4 JIC
556763	90° Elbow - 1/8 inch (3.2 mm) NPT, #4 JIC
556764	90° Elbow - 1/4 inch (6.4 mm) NPT, #4 JIC
556773	Hose End - Field Installed, Swivel End, #4 JIC

General Accessories

Pressure Gauges and Check Valves

Ordering Information

Pressure Gauges - Bottom and Back Mounted	
126005	0-5,000 psi (0-344.7 bar), 1/4 inch (6.4 mm) NPT brass back mount connection, liquid-filled, operating range -40° F to 150° F (-40° C to 66° C)
557866	0-3,000 psi (0-206.8 bar), standard
558948	0-150 psi (0-10.3 bar), 1/4 inch (6.4 mm) NPT brass bottom mount connection, standard
557559	0-3,000 psi (0-206.8 bar), 1/4 inch (6.4 mm) NPT brass bottom mount connection, standard
557352	0-5,000 psi (0-344.7 bar), 1/4 inch (6.4 mm) NPT brass bottom mount connection, standard
557278	0-1,500 psi (0-103.4 bar), 1/4 inch (6.4 mm) NPT brass back mount connection, standard
557864	0-3,000 psi (0-206.8 bar), 1/4 inch (6.4 mm) NPT brass back mount connection, standard
558297	0-10,000 psi, 1/4 in. NPT brass back mount connection, standard
557713	0-3,000 psi (0-206.8 bar), 1/4 inch (6.4 mm) NPT steel bottom mount connection, liquid-filled
558298	0-10,000 psi (0-689.5 bar), 1/4 inch (6.4 mm) NPT steel back mount connection, liquid-filled
Outlet Check Valves	
563196	Single check valve, 1/8-27 inch (3.2 mm-68.6 cm) NPTF x 1/8-27 inch (3.2 mm-68.6 cm) NPSF carbon steel, steel ball, 5,000 psi (344.7 bar) max
563052	Single check valve, 7/16-20 inch (11.1 mm-50.8 cm) x 7/16-20 inch (11.1 mm-50.8 cm) SAE stainless steel, fluoroelastomer ball, 7,500 psi (517.1 bar) max
563054	Single check valve, 7/16-20 inch (11.1 mm-50.8 cm) x 7/16-20 inch (11.1 mm-50.8 cm) SAE stainless steel, steel ball, 3,500 psi (241.3 bar) max
Maxi-Flo Relief Valve - Field-Installed Only	
563375	600 psi (41.4 bar)
Single Ball Check Valves	
563195	10 psi (.69 bar) nominal cracking pressure, 1/8 inch (3.2 mm) NPTF (M) x 1/8 inch (3.2 mm) NPSF (F), steel body/ball, 5,000 psi (344.7 bar) max
563199	15 psi (1.03 bar) nominal cracking pressure, 1/8 inch (3.2 mm) NPSF (F) x 1/8 inch (3.2 mm) NPTF (M), steel body/ball, 5,000 psi (344.7 bar) max
563196	35 psi (2.4 bar) nominal cracking pressure, 1/8 inch (3.2 mm) NPTF (M) x 1/8 inch (3.2 mm) NPSF (F), steel body/ball, 5,000 psi (344.7 bar) max
563200	35 psi (2.4 bar) nominal cracking pressure, 1/8 inch (3.2 mm) NPSF (F) x 1/8 inch (3.2 mm) NPTF (M), steel body/ball, 5,000 psi (344.7 bar) max
563201	60 psi (4.1 bar) nominal cracking pressure, 1/8 inch (3.2 mm) NPSF (F) x 1/8 inch (3.2 mm) NPTF (M), steel body/ball, 5,000 psi (344.7 bar) max
563197	125 psi (8.6 bar) nominal cracking pressure, 1/8 inch (3.2 mm) NPTF (M) x 1/8 inch (3.2 mm) NPSF (F), steel body/ball, 5,000 psi (344.7 bar) max
563198	250 psi (17.2 bar) nominal cracking pressure, 1/8 inch (3.2 mm) NPTF (M) x 1/8 inch (3.2 mm) NPSF (F), steel body/ball, 5,000 psi (344.7 bar) max
563202	250 psi (17.2 bar) nominal cracking pressure, 1/8 inch (3.2 mm) NPSF (F) x 1/8 inch (3.2 mm) NPTF (M), steel body/ball, 5,000 psi (344.7 bar) max
563051	360 psi (24.8 bar) nominal cracking pressure, 1/8 inch (3.2 mm) NPTF (M) x 1/8 inch (3.2 mm) NPSF (F), Steel Body/Ball, 5,000 psi (344.7 bar) max
563206	10 psi (.69 bar) nominal cracking pressure, 1/4 inch (6.4 mm) (M) x 1/4 inch (6.4 mm) (F), steel body/ball, 5,000 psi (344.7 bar) max

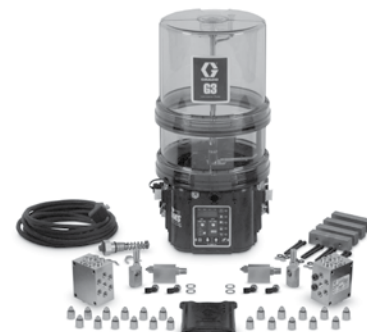
563210	10 psi (.69 bar) nominal cracking pressure, 1/4 inch (6.4 mm) NPSF (F) x 1/4 inch (6.4 mm) NPTF (M), steel body/ball, 5,000 psi (344.7 bar) max
563207	35 psi (2.4 bar) nominal cracking pressure, 1/4 inch (6.4 mm) NPTF (M) x 1/4 inch (6.4 mm) NPSF (F), steel body/ball, 5,000 psi (344.7 bar) max
563211	35 psi (2.4 bar) nominal cracking pressure, 1/4 inch (6.4 mm) NPSF (F) x 1/4 inch (6.4 mm) NPTF (M), steel body/ball, 5,000 psi (344.7 bar) max
563208	100 psi (6.9 bar) nominal cracking pressure, 1/4 inch (6.4 mm) NPTF (M) x 1/4 inch (6.4 mm) NPSF (F), steel body/ball, 5,000 psi (344.7 bar) max
563209	250 psi (17.2 bar) nominal cracking pressure, 1/4 inch (6.4 mm) NPSF (F) x 1/4 inch (6.4 mm) NPTF (M), steel body/ball, 5,000 psi (344.7 bar) max
563054	35 psi (2.4 bar) nominal cracking pressure, 7/16-20 inch (14.3 mm-50.8 cm) SAE (M) x 7/16-20 inch (14.3 mm-50.8 cm) SAE (F), SS body/steel ball, 3,500 psi (241.3 bar) max
563055	35 psi (2.4 bar) nominal cracking pressure, 9/16-18 inch (14.3 mm-45.7 cm) SAE (M) x 9/16-18 inch (14.3 mm-45.7 cm) SAE (F), SS body/steel ball, 3,500 psi (241.3 bar) max
563052	35 psi (2.4 bar) nominal cracking pressure, 7/16-20 inch (14.3 mm-50.8 cm) SAE (M) x 7/16-20 inch (14.3 mm-50.8 cm) SAE (F), SS body/FKM ball, 7,500 psi (517.1 bar) max
563047	42 psi (2.9 bar) nominal cracking pressure, 1/4 inch (6.4 mm) NPSF (F) x 1/4 inch (6.4 mm) NPSF (F), SS body/NBR ball, 7,500 psi (517.1 bar) max
563046	48 psi (3.3 bar) nominal cracking pressure, 1/4 inch (6.4 mm) NPSF (F) x 1/4 inch (6.4 mm) NPSF (F), SS body/FKM ball, 7,500 psi (517.1 bar) max
563048	35 psi (2.4 bar) nominal cracking pressure, 1/8 inch (3.2 mm) NPSF (F) x 1/8 inch (3.2 mm) NPTF (M), steel body/FKM ball, 100 psi (6.9 bar) max
563049	35 psi (2.4 bar) nominal cracking pressure, 1/8 inch (3.2 mm) NPTF (M) x 1/8 inch (3.2 mm) NPSF (F), steel body/FKM ball, 100 psi (6.9 bar) max
Double Ball Check Valves	
562642	90 psi (6.2 bar) nominal cracking pressure, 1/8" NPT(F) x 1/8" NPT(M), carbon steel body, SS ball, 8,000 psi (551.6 bar) max
562647	90 psi (6.2 bar) nominal cracking pressure, 1/8" NPT(F) x 1/8" NPT(M), SS body/ball, 8,000 psi (551.6 bar) max
563203	45 psi (3.1 bar) nominal cracking pressure, twin tandem, 1/4 inch (6.4 mm) NPTF (M) x 1/8 inch (3.2 mm) NPTF (M), SS body/ball, 10,000 psi (690 bar) max
563205	45 psi (3.1 bar) nominal cracking pressure, twin tandem, 1/4 inch (6.4 mm) NPTF (M) x 1/4 inch (6.4 mm) NPTF (M), SS body/ball, 10,000 psi (690 bar) max
563058	35 psi (2.4 bar) nominal cracking pressure, 1/4 inch (6.4 mm) IP (F) x 1/4 inch (6.4 mm) IP (M), brass body/ball, 3,000 psi (206.9 bar) max
563059	35 psi (2.4 bar) nominal cracking pressure, 1/4 inch (6.4 mm) in O.D. pipe inlet (F), 1/4 inch (6.4 mm) NPT (M) outlet, brass body/ball, 3,000 psi (206.9 bar) max
563061	48 psi (3.3 bar) nominal cracking pressure, 1/4 inch (6.4 mm) NPSF (F) x 1/4 inch (6.4 mm) NPSF (F), SS body/FKM ball, 7,500 psi (517.1 bar) max
563060	48 psi (3.3 bar) nominal cracking pressure, 1/4 inch (6.4 mm) NPSF (F) x 1/4 inch (6.4 mm) NPSF (F), SS body/NBR ball, 7,500 psi (517.1 bar) max

General Accessories

Installation Accessories – Hose, Tubing, Fittings, and Mounting Hardware

Ordering Information

1/8" ID Hoses and Accessories	
128570	Hose, 1/8" ID, 3,000 PSI, 200 Feet, Braided with Polyurethane Cover
128571	Hose, 1/8" ID, 3,000 PSI, 400 Feet, Braided with Polyurethane Cover
128862	Hose, 1/8" ID, 3,000 PSI, 2,000 Feet, Braided with Polyurethane Cover
128579	Hose Guard, 3/8" ID, 160 Feet
128580	Hose Guard, 3/8" ID, 320 Feet
128561	Field-Installable Swivel Hose End Fitting, 1/8" ID Hose, #4 JIC, SAE 7/16-20 female
128562	Field-Installable Swivel Hose End Fitting, 1/8" ID Hose, 1/8 NPT Male
128006	Clamp, 3/8" OD Hose
1/4" ID Hoses and Accessories	
128572	Hose, 1/4" ID, 2,750 PSI, 100 Feet, Braided with Polyurethane Cover
128573	Hose, 1/4" ID, 2,750 PSI, 125 Feet, Braided with Polyurethane Cover
128581	Hose Guard, 1/2" ID 80 Feet
128582	Hose Guard, 1/2" ID 100 Feet
128563	Field-Installable Swivel Hose End Fitting, 1/4" ID Hose, #4 JIC, SAE 7/16-20 female
128564	Field-Installable Swivel Hose End Fitting, 1/4" ID Hose, 1/4 NPT Male
128565	Field-Installable Swivel Hose End Fitting, 1/4" ID Hose, 1/8 NPT Male
557944	Clamp, 7/16" OD Hose
1/8" OD Tubing and Accessories	
127554	Tubing, 1/8" OD, 625 PSI, 100 Feet
127551	1/8" Tube x 1/8" Straight Fitting
556664	1/8" Tube x 1/8" Elbow Fitting
1/4" OD Tubing and Accessories	
127555	Tubing, 1/4" OD, 625 PSI, 100 Feet
127552	1/4" Tube x 1/4" Straight Fitting
555726	1/4" Tube x 1/4" Elbow Fitting
127553	1/4" Tube x 1/8" Straight Fitting
556634	1/4" Tube x 1/8" Elbow Fitting
3/16" OD Tubing and Bulk Fittings	
16A169	Tubing, 3/16" OD, Single Tube, 1,350 PSI, 100 Feet
16A171	Tubing, 3/16" OD, Double Tube, 1,350 PSI, 100 Feet
16A172	Tubing, 3/16" OD, Triple Tube, 1,350 PSI, 100 Feet
127722	Male Elbow, 3/16" Tube x 1/8" NPT, Brass, Quantity 250
127723	Male Connector, 3/16" Tube x 1/8" NPT, Brass, Quantity 250
127724	Union, 3/16" Tube, Brass, Quantity 50
127725	Union, 5/16" Tube, Brass, Quantity 50
Elbows	
556763	#4 JIC SAE 7/16-20 male x 1/8" NPT male
556764	#4 JIC SAE 7/16-20 male x 1/4" NPT male
15K740	1/4-28 NPT male X 1/8" NPT female
15K783	1/8 NPT male X 1/8 NPT female
560530	1/8 NPT male X 1/4 NPT female
15M045	1/4 NPT male X 1/4 NPT female
560533	1/4 NPT male X 1/8 NPT female
560534	3/8 NPT male X 3/8 NPT female
158683	1/2 NPT male X 1/2 NPT female
45° Elbows	
557395	1/8 NPT male X 1/8 NPT female
560532	1/4 NPT male X 1/4 NPT female



General Accessories

Installation Accessories – Hose, Tubing, Fittings, and Mounting Hardware

Ordering Information

Reducing Bushings	
556402	1/4 NPT male X 1/8 NPT female
556403	3/8 NPT male X 1/8 NPT female
556404	3/8 NPT male X 1/4 NPT female
100206	1/2 NPT male X 1/4 NPT female
Expanding Bushings	
556416	1/8 NPT male X 1/4 NPT female
156580	1/8 NPT male X 3/8 NPT female
150287	1/4 NPT male X 3/8 NPT female
159842	1/4 NPT male X 1/2 NPT female
156022	3/8 NPT male X 1/2 NPT female
Pipe Extensions M x F	
557392	1/8 NPT male X 1/8 NPT female, 3/4 long
557393	1/8 NPT male X 1/8 NPT female, 1-1/4 long
563178	1/8 NPT male X 1/8 NPT female, 2-1/4 long
Adapter	
555749	#4 JIC SAE 7/16-20 male x 1/8" NPT male
556762	#4 JIC, SAE 7/16-20 male x 1/4" NPT male
555453	1/4 NPT male X 1/4 NPT male
556408	1/4 NPT male X 1/8 NPT male
156296	3/8 NPT male X 1/8 NPT male
165198	3/8 NPT male X 1/4 NPT male
156849	3/8 NPT male X 3/8 NPT male
Anchor Mounts	
560540	180° Straight Anchor Fitting, 1/8" NPSF
560541	180° Straight Anchor Fitting, 1/4" NPSF
558910	180° Straight Anchor Fitting, 1/2" NPSF
560542	Cross Anchor Fitting, 1/4" NPSF
560543	Cross Anchor Fitting, 1/8" NPSF
561430	180° Straight Anchor Fitting, 2 lines, 1/4" NPSF
560535	90° Drop Elbow Brass, 1/8" NPSF
560537	Wing Tee, 1/4" NPTF
Grease Zerks	
557969	Grease Zerk Cover
100054	1/8", 10,000 PSI
100848	1/4", 10,000 PSI
Fill Studs	
24M644	QD Style w/Cap
110712	1/4" Button Head
100854	3/8" Button Head
Mounting Weld Studs	
127512	1/4-20 x .710" long
127513	1/4-20 x .96" long
127514	1/4-20 x 1.2" long
17D024	1/4-20 x 2" long
17D023	3/8-16 x 1.25" long



556402



556416



557392



555453



100848



24M644

General Accessories

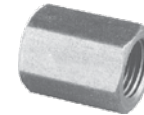
Installation Accessories – Hose, Tubing, Fittings, and Mounting Hardware

Ordering Information

Clamps	
127012	3/8" clamp diameter x 9/32 mounting hole
557944	1/2" clamp diameter x 9/32 mounting hole
127515	1 1/2" clamp diameter x 9/32 mounting hole
Bulkheads	
128566	1/4 NPT
557950	1/8 NPT
Hose Vise Block	
127145	1/8", 1/4", 1/2" ID hose
Hex Coupling	
560528	1/8 NPT female X 1/8 NPT female
113093	1/4 NPT female X 1/4 NPT female
162024	3/8 NPT female X 3/8 NPT female
Run Tee	
556419	1/8 NPT male X 1/8 NPT female (2)
556420	1/4 NPT male X 1/4 NPT female (2)
128568	3/8 NPT male X 3/8 NPT female (2)
Branch Tee	
558795	1/8 NPT male X 1/8 NPT female (2)
556407	1/4 NPT male X 1/4 NPT female (2)
128567	3/8 NPT male X 3/8 NPT female (2)
Plugs	
557349	1/8" NPT socket head
111697	1/4" NPT square head
100040	3/8" NPT square head
Cable Tie	
17K063	Cable tie 14" x .30", qty 100



557950



560528



556419



100040

Controllers

GLC 2200™ Controller

Features and Benefits

- Easy to mount without having to open up the control box
- LEDs let you know what your system is doing at a glance
- Easy to read digital display makes it simple to program and monitor your equipment
- In-cab visual and audible alarms let the operator know your equipment needs attention. Or set up a remote alarm to alert service or maintenance staff
- Simple icon based push buttons make programming easy
- Color coded wiring harness with flying leads and easy to follow wiring diagrams makes installations efficient



24N468

Available Inputs

- Pressure/cycle switch
- Low level switch

Available Outputs

- Pump power control
- External alarms—both low level and pressure/cycle faults

Typical Applications

- Heavy construction, mining, other mobile on-road and off-road equipment

Technical Specifications

Height.....	5.53 inch (140 mm)
Width.....	2.75 inch (70 mm)
Depth.....	1.38 inch (35 mm)
Protection Grade.....	IP54
Operating Temperature.....	-40° F to 176° F (-40° C to 80° C)
Standards.....	CE Marked
Power Source DC.....	9 - 30 VDC
Manual.....	3A2960A

Ordering Information

GLC 2200	
24N468	GLC 2200 controller
24P314	GLC 2200 wiring harness – 5 feet (150 cm) with flying leads
24W981	GLC 2200 wiring harness – 10 feet (300 cm) with flying leads
24P686	GLC 2200 connector (1) and pins (12)
24P687	GLC 2200 connectors (5) and pins (60)
16T671	Crimper

Controllers

GLC 4400™ Controller

Features and Benefits

- Customize your lubrication time, pressure, cycle counts and machine counts for maximum precision and productivity
- Simple icon- and menu-based user interface is easy to setup and operate, saving valuable technician time
- Special operation modes save setup and inspection time
- Rugged and weatherproof, meeting stringent IP69K protection requirements
- Works with single line resistive, single line parallel, series progressive and dual line systems

Available Inputs

- Pressure/cycle switch
- Machine count switch
- Reservoir level switch
- Remote manual run switch

Available Outputs

- Pump control signal
- Low level alarm signal
- Pressure/cycle alarm
- System okay signal

Typical Applications

- Heavy construction, mining, other mobile off-road equipment
- In plant machinery, food and beverage, wind energy

Technical Specifications

Height.....	4.7 in (120 mm)
Width.....	4.8 in (122 mm)
Depth.....	3.6 in (91 mm)
Protection Grade.....	IP 69K
Operating Temperature.....	-40° F to 145° F (-40° C to 63° C)
Net Weight.....	2 lbs (0.9 kg)
Standards.....	CE Marked
Manual.....	313855

Ordering Information

GLC 4400	
24B591	9-30 VDC
24B596	100-240 VAC



24B591

Controllers

Solid-State Timer

Features and Benefits

The Solid-State Timer from Graco operates on standard 115/230 VAC 50/60 Hz input power, and provides a total on and off cycle with “on” periods to meet your specific lubrication system’s requirements. Total cycle times can be set from 1/2 minute to 32 hours. “On” time during the total cycle time can be set from 12 seconds to 13 minutes. The “on” time occurs at the beginning of each period.

- Solid-state technology combined with multiple-level protection ensures dependable performance
- Exceptional flexibility of settings allows this timer to be used with many types of simple or sophisticated lubrication systems
- Manual run button can be used to check system integrity as well as to simplify system filling and air purging
- Face-mounted LED displays timer status at a glance
- Tamper-resistant design puts cycle setting controls inside the covered case
- Easy mounting and installation
- Built-in memory keeps the timer “alive” for 1-1/2 hours during power failures and machine shutdown



562872

Technical Specifications

Electrical	115/230 VAC; 50/60 hz; 3 ampere (max.)
Temperature Range:	
Operating	0° to 131° F (-18° to 55° C)
Storage	-67° to 185° F (-55° to 85° C)
Enclosure	High Impact Plastic
Component Technology	Solid-State CMOS
Cycle Interval, Adjustable:	
Range 1	0.5 - 30 minutes
Range 2	0.5 - 32 hours
“On” Time	0.2 - 13 minutes
Vibration	5g’s 50 Hz
Standard:	LED Indicator, Manual Run Button

Ordering Information

Solid State Timer	
562872	115/230 VAC
558031	Solid state (SS) timer board only without enclosure
DC Timer	
557925	DC timer

Controllers

WMP III Maxi-Monitor®

Features and Benefits

The WMP III Maxi-Monitor is a micro processor based controller, dedicated to the operation and monitoring of a centralized lubrication system. WMP III is designed to schedule lube intervals and monitor the operation of Trabon pumps and divider valves in intermittent operating systems.

- Lube programs can be changed to meet changing conditions or work schedules
- High flexibility means you can handle a variety of applications with the same basic WMP Controller
- By working with one basic unit, operating and maintenance personnel quickly become familiar with the WMP and use it more effectively
- Programming is done thru the keypad mounted on the face of the enclosure



556023

Technical Specifications

Power Supply.....	115 + 15 % VAC, 50/60 Hz; 230 + 15% VAC, 50/90 Hz; 24 + 15% VDC; 12 + 10% VDC. Voltage must be specified when ordering
Inputs.....	Same voltage of WMP III in use
Current Consumptions.....	0.1 amp for AC (less external loads); 0.4 amp for DC (less external loads); 0.5 amp 3AG fuse supplied; 115, 230 VAC and 12, 24 VDC
External Pump Load.....	115, 230 VAC or 12, 24 VDC; 2 amp max(4 amp typical inrush), AC; 2 amp AGC fuse supplied; Determined by input power supply
Fault Relay	2 isolated, non-fused, double-pole, double-throw form, C contacts, 5 amp resistive
Count Rate	15 CTS/SEC max @ 50% duty cycle; min.
Transient Withstanding Capacity.....	2000 Volts for 1 millisecond (typical); Joule Max
Temperature Range (LCD limited)	
Ambient	10° F to 113° F (-21° C to 45° C)
Storage	-8° F to 140° F (-25° C to 60° C)
Time Base	Crystal Controller Time Base
Weight	9.3 lbs (4.2 kg)
Programming Selections	
Program Range.....	2-9999 sec; 1-9999 min.; 1-9999 hrs; 2-9999 stroke counts
Monitor Range.....	1-9999 sec; 1-9999 min.; 1-9998 hrs; 1-9998 stroke counts
System Cycle Range	1-9999 counts

Ordering Information

WMP III Maxi-Monitor	
556023	115 VAC
556024	230 VAC
556025	24 VDC
563914	Shock mount kit

On-Road Mobile Lubrication Systems

Grease Jockey®

Features and Benefits

- Keeps your chassis operating, even in harsh on-road conditions
- Lubricant goes where it's supposed to, automatically, with little or no waste
- Field-proven—some of the largest fleets have been using Grease Jockey for decades!

Typical Applications

- Truck and tractor lubrication, class 4, 5, 6, 7, and 8 vehicles

Typical Fluids Handled

- NLGI #0, #00 or #000 Grease

Technical Specifications

Construction	Cast aluminum body and bracket
Lubricant	NLGI #0, #00 or #000 grease
Output per Cycle	1.5 cu. in (24.6 cm ³)
Reservoir Capacity	6 lbs. (2.7 kg), 12 lbs. (5.4 kg)
Inlet supply (dry) (air pump)	150 psi (1034 kPa) max; 60 psi (414 kPa) min
Air-to-lube Ratio (max.)	9:1
Solenoid Voltage (air)	12 or 24 VDC
Electrical	9 to 32 VDC (12 or 24 VDC Nominal)
Enclosure (air pump)	High-impact sealed plastic
Component Technology	Solid-state
Pump "ON" Time	Programmable: 1 sec. to 99 min.
Lube Cycle Frequency	Programmable: 1 min. to 99 hrs.
Main Supply to Modules5/16 in O.D. heavywall nylon
Module to Point3/16 in O.D. heavywall nylon
Operating Pressure (nylon lines)	1,350 psi (9,310 kPa)



On-Road Mobile Lubrication Systems

	Part #	Fill Port	Solenoid	Timer/Wiring Harness Kit	Mounting Plate	Mainline and Hardware	Extra Fittings Kit
Grease Jockey Pump Kits							
Pump Only, No Reservoir	563625	Straight					
Pump with 6# Rigid Reservoir	563589	Straight					
Pump with 12# Rigid Reservoir	563590	Straight					
Pump with 6# Rigid Reservoir	563593	Elbow					
Pump with 6# Rigid Reservoir	563888	Elbow	12 VDC				
Pump with 6# Rigid Reservoir	563854	Straight	12 VDC	24W479	Yes	Yes	Yes
Pump with 12# Rigid Reservoir	563874	Straight	12 VDC	24W479	Yes	Yes	Yes

Ordering Information

Grease Jockey Pump Accessories	
24W482	Grease Jockey digital timer
24W479	Grease Jockey digital timer with Delphi 56 connector
24W480	Grease Jockey digital timer with Delphi 280 connector
25A118	Grease Jockey digital timer with flying leads
25A044	Service startup and spares kit
557932	12 VDC replacement solenoid
563641	12 VDC replacement solenoid kit with 1/4" NPT(m) fitting
24E017	24 VDC replacement solenoid

On-Road Mobile Lubrication Systems

Grease Jockey®

Grease Jockey Right and Left Front Kits for Trucks

	# of Grease Points	Part Number	Upper King Pin	Lower King Pin	Drag Link	Drag Link	Slack Adjuster	S-Cam	Tie Rod	Spring Pin	Spring Hanger-Upper	Spring Hanger-Lower	Steer Assist	Steer Assist	Clutch Pedal	Clutch Cross Shaft-Right	Clutch Cross Shaft-Left	Clutch Throw Out Bearing	
			Right Front																
			Injector Size																
Right Front Kit	5	563727							2										
Right Front Kit	5	563860		3			1	0	2										
Right Front Kit	7	563859	3	3			1	0	2							0	0		
Right Front Kit	8	563652	3	3			1	0	2	3	3	3							
Right Front Kit	8	563715	3	3			1	0	2							0	0	0	
Right Front Kit	8	563858	3	3			1	0	2	3	3	3							
Right Front Kit	10	563645	3	3			1	0	2	3	3	3				0	0		
			Left Front																
Left Front Kit	5	563728	3	3	2	2			2										
Left Front Kit	7	563706	3	3	2	2	1	0	2										
Left Front Kit	8	563716	3	3	2	2	1	0	2						0				
Left Front Kit	10	563644	3	3	2	2	1	0	2	3	3	3							

Grease Jockey Rear Axle Modules Truck and Tractor Kits

	# of Grease Points	Part Number	Slack Adjuster	S-Cam	Slack Adjuster	S-Cam	Rear Spring	Slack Adjuster	S-Cam	Slack Adjuster	S-Cam	Rear Spring	5th Wheel Pivot-Right	5th Wheel Pivot-Left	5th Wheel Pivot Inner-Right	5th Wheel Pivot Inner-Left	Boom Pivot-Right	Boom Pivot-Left	5th Wheel Cylinder Upper-Right	5th Wheel Cylinder Upper-Left	5th Wheel Interlock	5th Wheel Plate	Front Right	Front Left	Rear Right and Left
			Right Rear				Left Rear				5th Wheel														
			Injector Size																						
Single Axle Kit	4	563647	1	0				1	0																
Single Axle Kit	6	563738	1	0				1	0								4	4							
Tandem Axle Kit	8	563646	1	0	1	0		1	0	1	0														
Tandem Axle Kit	10	563743	1	0	1	0		1	0	1	0						4	4							
Fifth Wheel Kit	6	563653											4				4		4	4		8	8		
Fifth Wheel Kit	6	563659											4				4	4	4					8	8
Fifth Wheel Kit	8	258248											4	4			4	4				8	8	8	8
Fifth Wheel Kit	10	563737											4	4			4	4	4	4		8	8	8	8
Fifth Wheel Kit	12	563744											4	4	4	4	4	4	4	4		8	8	8	8
Fifth Wheel and Single Axle Kit	11	563748	1	0			3	1	0			3									1	8	8	8	8
Fifth Wheel and Single Axle Kit	12	563717	1	0			3	1	0			3	1	1								8	8	8	8

On-Road Mobile Lubrication Systems

Grease Jockey®

Grease Jockey Pneumatic Universal Truck Kits

Kits include 6# pump kit (563854) and factory-configured injector manifold modules.

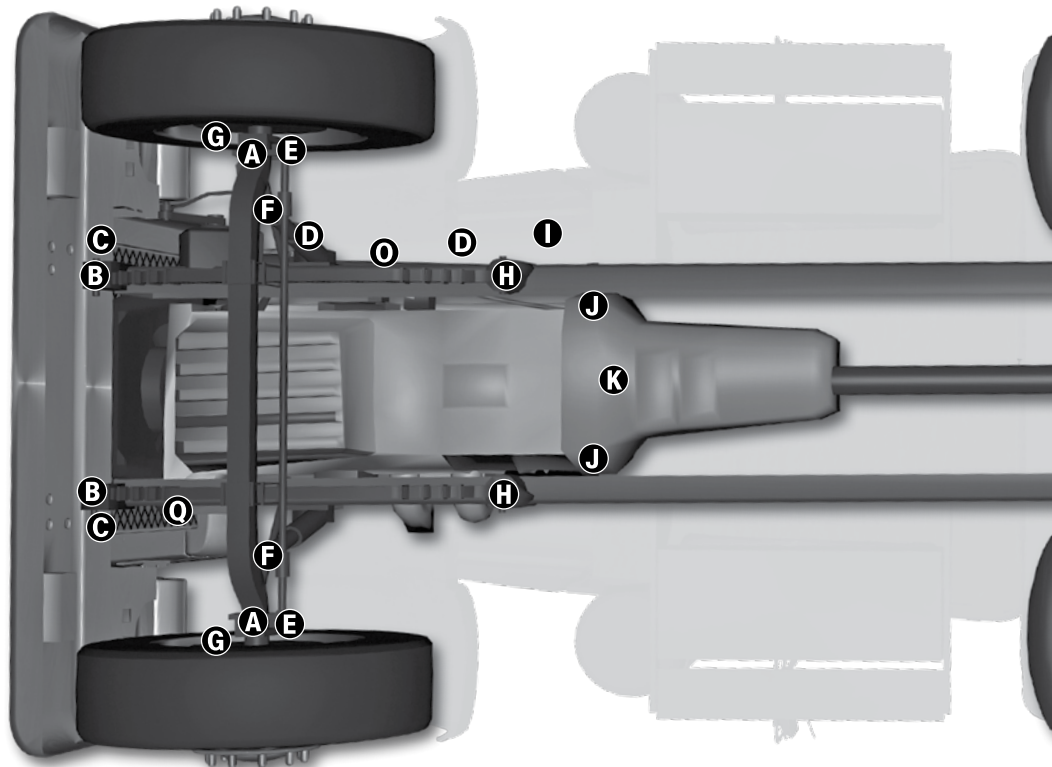
	# of Grease Points	Part Number	Upper King Pin	Lower King Pin	Slack Adjuster	S-Cam	Tie Rod	Spring Pin	Spring Hanger-Upper	Spring Hanger-Lower	Clutch Cross Shaft	Clutch Cross Shaft	Clutch Throw Out Bearing	"A" Frame Pivot	Lift Cylinder Top Pivot	Lift Cylinder Bottom Pivot	Slack Adjuster	S-Cam	Slack Adjuster	S-Cam	Rear Spring	Lift Cylinder Top Pivot	
			Right Front											Right Rear									
			Injector Size																				
Single Axle Tractor Kit	27	563897	3	3	1	0	2				0	0	0				1	0				3	
Single Axle Tractor Kit	28	563891	3	3	1	0	2				0	0	0				1	0				3	
Spotter Truck Kit	35	563823	3	3	1	0	2	3	3	3				8	8	3	1	1				3	
Tandem Axle Tractor Kit	33	563846	3	3	1	0	2	3	3	3	0	0					1	0	1	0			
Tandem Axle Tractor Kit	34	563809	3	3	1	0	2	3	3	3							1	0					
Tandem Axle Tractor Kit	34	563814	3	3	1	0	2	3	3	3	0	0					1	0	1	0			

Injector Size Key

Injector Size	0	1	2	3	4	8
Output Volume (cu in)	0.002	0.005	0.009	0.012	0.015	0.024

Truck and tractor lubrication systems lubricate these parts:

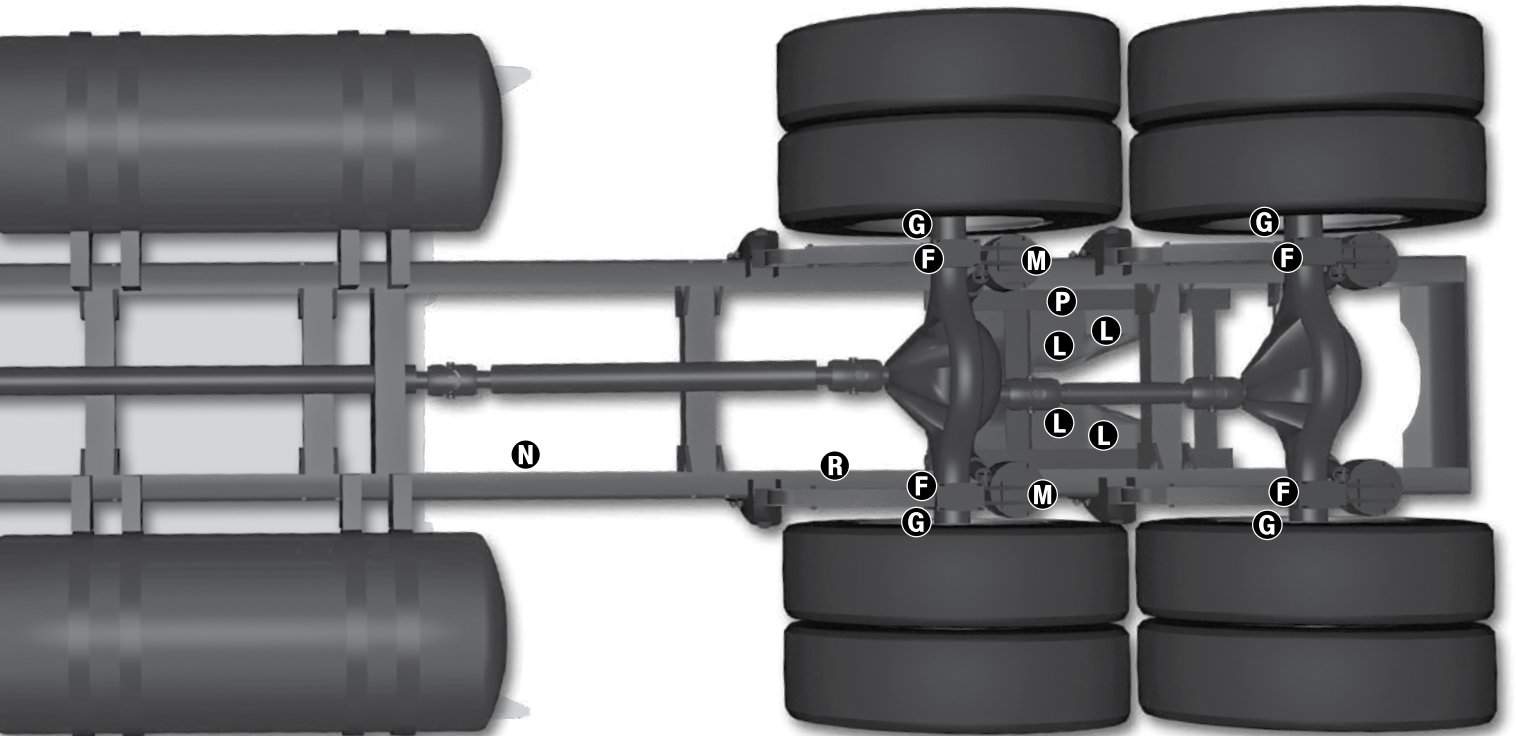
- A** Upper/Lower King Pins
- B** Hood Pins
- C** Spring Pins
- D** Drag Links
- E** Tie Rod Ends
- F** Slack Adjusters
- G** S-Cams
- H** Spring Hangers
- I** Clutch Pedal
- J** Clutch Cross Shafts
- K** Clutch Throw Out Bearing
- L** 5th Wheel Plate
- M** 5th Wheel Pivots
- N** Pump
- O** Right Front Module
- P** 5th Wheel Module
- Q** Left Front Module
- R** Rear Module



On-Road Mobile Lubrication Systems

Grease Jockey®

Upper King Pin	Lower King Pin	Drag Link-Front	Drag Link-Back	Slack Adjuster	S-Cam	Tie Rod	Spring Pin	Spring Hanger-Upper	Spring Hanger-Lower	Clutch Pedal	Clutch Cross Shaft	Clutch Throw Out Bearing	Lift Cylinder Top Pivot	Lift Cylinder Bottom Pivot	Slack Adjuster	S-Cam	Slack Adjuster	S-Cam	Rear Spring	Lift Cylinder Top Pivot	5th Wheel Pivot-Right	5th Wheel Pivot-Left	Boom Pivot-Right	Boom Pivot-Left	5th Wheel Cylinder (Up. R.)	5th Wheel Cylinder (Low. R.)	5th Wheel Cylinder (Up. L.)	5th Wheel Cylinder (Low. L.)	5th Wheel Interlock	5th Wheel Plate	5th Wheel Plate	5th Wheel Plate	5th Wheel Plate					
Left Front														Left Rear						5th Wheel																		
Injector Size																																						
3	3	2	2	1	0	2				0					1	0			3															2	8	8	8	8
3	3	2	2	1	0	2				0					1	0			3	1	1													8	8	8	8	
3	3	2	2	1	0	2	3	3	3			8	3		1	1				3	1	1												8	8	8	8	
3	3	2	2	1	0	2	3	3	3			0			1	0	1	0			1	1												8	8			
3	3	2	2	1	0	2	3	3	3						1	0					4	4	4	4	4	4	4	4	4					8	8	8	8	
3	3	2	2	1	0	2	3	3	3						1	0	1	0			1	1												8	8	8	8	



On-Road Mobile Lubrication Systems

On-Road Mobile Lubrication Systems

Trailer Lubrication Systems

Features and Benefits

- Smooth landing gear operation
- Innovative design works with your parking or service brakes—no electrical power needed
- Adjustable pump output volume puts you in control
- Slack adjuster and S-Cam lubrication help stop brakes from sticking—improves brake operation and extends component life

Typical Applications

- Pre-designed kits for all popular trailer types
- Tractors with 1, 2, 3, 4, 5, and 6 axles

Typical Fluids Handled

- Grease up to NLGI #2

Technical Specifications

Construction	Cast aluminum body and steel mounting bracket
Lubricant	NLGI #2 or lower
Output per Cycle	0.010-0.030 cu. inch (0.16-.49 cm ³)
Reservoir Capacity (rigid clear plastic).....	4 lb (1.8 kg)
Inlet supply (dry) (air pump)	40-150 psi (3-10 bar)
Air-to-lube Ratio (max.)	20:1
Main Supply to Modules	1/4 inch I.D. hose
Module to Point.....	3/16 inch O.D. heavywall nylon
Operating Pressure (nylon lines).....	1,350 psi (9,310 kPa)



563842

Universal Trailer Kits Ordering Information

Pneumatic (Trailer Pump Included)	Part #	Grease points covered in kit				Total # of Grease Points
		Slack Adjuster	S-Cam	Clevis Pin	Landing Gear	
One Axle w/ Inner and Outer S-Cams	563829	2	4	-	-	6
Two Axle w/ Enclosed S-Cams	563850	4	4	-	-	8
Two Axle w/ Inner and Outer S-Cams	563842	4	8	-	-	12
Two Axle w/ Enclosed S-Cams and Clevis Pins	563878	4	4	4	-	12
Two Axle w/ Inner and Outer S-Cams and Clevis Pins	563851	4	8	4	-	16
Two Axle w/ Inner and Outer S-Cams and Landing Gear	563840	4	8	-	5	17
Three Axle w/ Enclosed S-Cams	563880	6	6	-	-	12
Three Axle w/ Enclosed S-Cams and Clevis Pins	563884	6	6	6	-	18
Three Axle w/ Inner and Outer S-Cams and Clevis Pins	563849	6	12	6	-	24
Four Axle w/ Enclosed S-Cams and Clevis Pins	563881	8	8	8	-	24
Five Axle w/ Enclosed S-Cams	563866	10	10	-	-	20
Five Axle w/ Inner and Outer S-Cams and Clevis Pins	563848	10	20	10	-	40
Six Axle w/ Enclosed S-Cams	563865	12	12	-	-	24
Six Axle w/ Inner and Outer S-Cams and Clevis Pins	563852	12	24	12	-	48

On-Road Mobile Lubrication Systems

EZ Greaser®

Features and Benefits

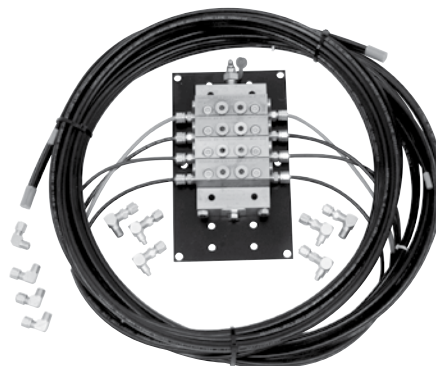
- 11 different kits let you customize your EZ Greaser system
- Once installed, use your manual grease gun to lubricate multiple lube points from one fitting

Typical Applications

- Truck, tractor, and trailer chassis lubrication

Typical Fluids Handled

- Grease up to NLGI #2



563853

Technical Specifications

Recommended Fluids..... Grease up to NLGI #2
 Maximum Operating Pressure..... 3,500 psi (241 bar)

Truck Kit Ordering Information	Total Number of Grease Points	Part Number	Upper King Pin	Lower King Pin	Drag Link	Slack Adjuster	S-Cam	Tie Rod	Spring Pin	Spring Hanger-Upper	Spring Hanger-Lower	Steer Assist	Steer Assist	Upper King Pin	Lower King Pin	Drag Link	Slack Adjuster	S-Cam	Tie Rod	Spring Pin	Spring Hanger-Upper	Spring Hanger-Lower	Slack Adjuster	S-Cam	Slack Adjuster	S-Cam				
			Left Front												Right Front							Left and Right Rear								
			Number of Grease Points																											
Front Brakes	4	563895				1	1										1	1												
Front Left and Right	8	563853	1	1	1			1						1	1	1			1											
Front Left and Right	14	563855	1	1	1			1	1	1	1			1	1	1			1	1	1	1								
Front Left and Right	16	563864	1	1	1			1	1	1	1	1	1	1	1	1			1	1	1	1								
Tandem Axle w/Spring Trunnions - Dump Truck	10	563893							1												1			2	2	2	2			
Tandem Axle w/Spring Pivots - Dump Truck	10	563896							1												1			2	2	2	2			

Trailer Kit Ordering Information	Total Number of Grease Points	Part Number	Slack Adjuster	S-Cam	Bearing	Gear Nut	Crank
			Number of Grease Points				
EZ Greaser Landing Gear Kit	5	563824			2	2	1
Single Axle Trailer Kit - EZ Greaser MSP Manual with Standard Fittings	6	563810	2	4			
EZ Greaser Tandem Axle with Enclosed S-Cams	8	563863	4	4			
EZ Greaser Trailer Tandem Axle Kit with Non-enclosed S-Cams	12	563877	4	8			

On-Road Mobile Lubrication Systems

On-Road Mobile Lubrication Systems

Reservoir Refill Manual Pump

Features and Benefits

- Heavy-duty materials and construction ensures reliability and long life
- Fill reservoirs in half the number of strokes of light-duty hand pumps
- Two stroke settings for high-pressure/low-volume and high-volume/low-pressure pumping
- Compact 35 lb or 5 gal (16 kg or 20 L) pail pump for greater mobility
- Pumps NLGI #2 grease and lower viscosities
- Follower plate keeps grease at the foot of the pump
- Dual-action pump delivers grease on both up and down strokes
- Delivers 2.3 oz (65 g) of grease per stroke when using the high-pressure/low-volume setting
- Delivers 3.0 oz (85 g) of grease per stroke when using the high-volume/low-pressure setting
- 5 ft (1.5 m) hose length with female quick-coupling



Typical Applications

- Filling grease reservoir on automatic lubrication systems including Grease Jockey®, G3™, and more!

Ordering Information

247886	Filler pump assembly – includes pump, cover, follower plate, hose and coupling
557941	Grease, 35 lb (16 kg) pail of NLGI #00

Off-Road Mobile Lubrication Systems

Dyna-Star® 10:1 High Ratio Hydraulically-Powered Lubrication Pump

Features and Benefits

- Achieve full pressure performance by tapping low pressure hydraulics
- Pre-packaged modules ready-to-work with both injector and divider valve systems
- Multiple pump and accessory options for use with refinery drum and custom tank installations
- Self-lubricating vertical design for long life and reliable operation in high vibration environments
- Ultra-quiet hydraulic motor—no need for add-on mufflers
- High efficiency motor design uses less hydraulic oil

Typical Applications

- Heavy-duty construction and mining equipment
- Any application requiring durable, high-performing grease delivery

Typical Fluids Handled

- NLGI #2 grade grease

Technical Specifications

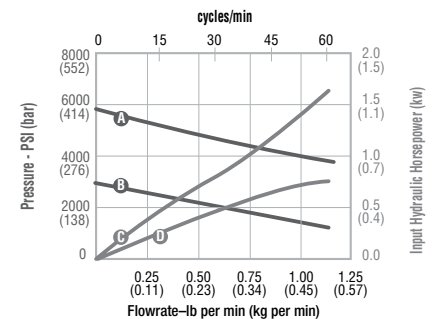
Part Number	247540	247443	247450
Drum Size	60 lb (27 kg)	120 lb (55 kg)	400 lb (180 kg)
Overall Pump Length	33.9 inch (861 mm)	41.5 inch (1054 mm)	48.5 inch (1232 mm)
Pump Lower Length	19.15 inch (501 mm)	26.75 inch (679 mm)	33.75 inch (857 mm)
Maximum Hydraulic Input Pressure	600 psi (41 bar)	600 psi (41 bar)	600 psi (41 bar)
Maximum Hydraulic Fluid Input Volume	3 gpm (11.4 lpm)	3 gpm (11.4 lpm)	3 gpm (11.4 lpm)
Maximum Flow Output Rate	1.1 lb/min. (0.5 kg/min.)	1.1 lb/min. (0.5 kg/min.)	1.1 lb/min. (0.5 kg/min.)
Maximum CPM	60	60	60
Maximum Fluid Output Pressure	7500 psi (517 bar)	7500 psi (517 bar)	7500 psi (517 bar)
Hydraulic Supply Inlet	3/4 inch-16 JIC (37° Flare)	3/4 inch-16 JIC (37° Flare)	3/4 inch-16 JIC (37° Flare)
Hydraulic Return Outlet	3/4 inch npt	3/4 inch npt	3/4 inch npt
Fluid Outlet	1/2 inch npt	1/2 inch npt	1/2 inch npt
Maximum Incoming Hydraulic Fluid Temp.	200° F (93° C)	200° F (93° C)	200° F (93° C)
312350	Manual for 247540, 247443, 247450		

Ordering Information

247540	Dyna-Star 10:1, 60 lb (27 kg) pump
247443	Dyna-Star 10:1, 120 lb (55 kg) pump
247450	Dyna-Star 10:1, 400 lb (180 kg) pump



Pump Performance



- A 600 psi hydraulic inlet pressure
- B 300 psi hydraulic inlet pressure
- C Hp (600 psi hydraulic input)
- D Hp (300 psi hydraulic input)

Test Fluid: NLGI #1 grade grease

Off-Road Mobile Lubrication Systems

Dyna-Star® 10:1, 5:1 and Fire-Ball® 300 50:1

Ordering Information

Dyna-Star 10:1 Modules And Kits	
24Y407	Dyna-Star 10:1 90 lb pump kit – injector – mechanical AFSSO
24Y408	Dyna-Star 10:1 60 lb pump kit – injector – mechanical AFSSO
247574	Dyna-Star 10:1 60 lb (27 kg) pump module – injector – overall height 35.15 in (842 mm). Includes pump (247540), reservoir assembly (247575), hydraulic control assembly (247538) and vent valve assembly (243170). Fully assembled.
247706	Dyna-Star 10:1 60 lb (27 kg) pump kit – divider valve – overall height 35.15 in (842 mm). Includes pump (247540), reservoir assembly (247575) and hydraulic control assembly (247538). Not assembled.
247444	Dyna-Star 10:1 90 lb (41 kg) pump module – injector – overall height 42.75 in (1086 mm). Includes pump (247443), reservoir assembly (241486), hydraulic control assembly (247538) and vent valve assembly (243170). Fully assembled.
247707	Dyna-Star 10:1 90 lb (41 kg) pump kit – divider valve – overall height 42.75 in (1086 mm). Includes pump (247443), reservoir assembly (241486) and hydraulic control assembly (247538). Not assembled.
247902	Pressure relief kit for 247706 and 247707
312349	Manual for 247574, 247706, 247444, 247707

Dyna-Star 10:1 Refinery Drum And Custom Tank Applications									
Description	Refinery Drums			Custom Tank Applications					
Weight lbs (kg)	120 (55)	400 (180)		60 (27)	60 (27)	120 (55)	120 (55)	400 (180)	400 (180)
Divider Valve (DV) or Injector Based	DV	DV		Injector	DV	Injector	DV	Injector	DV
Pump	247443	247450		247540	247540	247443	247443	247450	247450
Hydraulic Control*	247705	247705		247538	247538	247538	247538	247538	247538
Vent Valve				243170		243170		243170	
Cover	247703	247704							
Pump Gasket	15M442	15M442		15M442	15M442	15M442	15M442	15M442	15M442
Custom Tank Kit**				247970		247456		247457	

*Hydraulic control assembly (247705) includes longer hoses to enable remote mounting.

**Kits include pump (24750, 247443 or 247450), hydraulic control assembly (247538), vent valve (243170), and pump gasket (15M442).

Dyna-Star 10:1 Module Accessories	
243170	Vent valve
247538	Hydraulic control module
247700	Follower plate for 60 lb (27 kg) and 90 lb (41 kg) modules
244023	Level indicator for 60 lb (27 kg) and 90 lb (41 kg) modules†
24B591	GLC 4400, 12/24 VDC controller
115124	Pressure switch
247575	Reservoir - 60 lb (27 kg)
241486	Reservoir - 90 lb (41 kg)

†Requires follower plate, order with part number 247700.

Fireball 300 And Dyna-Star 5:1 Modules and Accessories	
241573	Fireball 300, 50:1 90 lb (41 kg) pump module. Includes pump (239887), reservoir assembly (241486), and vent valve assembly (241572)
241485	Follower plate (fits 241573)
243159	Dyna-Star 5:1 90 lb (41 kg) pump module. Includes pump (224751), reservoir assembly (241486), hydraulic control assembly (243501), and vent valve assembly (243170)
243191	Follower plate (fits 243159)

GL Injectors and Accessories	
114901	One GL-1 injector and manifold
114902	Two GL-1 injectors and manifold
114903	Three GL-1 injectors and manifold
114904	Four GL-1 injectors and manifold
114905	Five GL-1 injectors and manifold
114909	Replacement GL-1 injector
115119	GL-1 injector cover kit, plastisol
24A918	GL-11 injector



247574



241573



24B591



114905



24A918

Electric Pumps

G1™ Pump and USP Divider Valve Automatic Lubrication Kits

Everything You Need in One Simple Kit.

Pre-engineered lubrication kits are built from the proven, user-friendly G1 Plus pump and USP divider valve. Each kit contains the bracket and hardware you need to quickly order and install an automatic lubrication system.

Features and Benefits

- Two-liter grease reservoir
- Connect to 24 VDC and 110-240 VAC power sources with CPC or DIN-style connectors for easy, no hassle installations
- G1 Plus™ has built-in on/off timer with optional low level feature that shuts down the pump when empty. Manual run initiates lube cycles on-demand with the option for remote control.

Lubrication Used

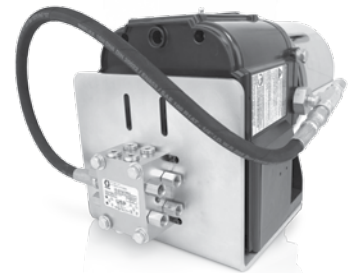
- NLGI #000 to NLGI #2

Ordering Information

G1 Plus and USP Automatic Lubrication Kits	
24V659	G1 Plus grease pump, 24 VDC, 2 liter, low level, power cord, bracket, USP 6, pressure relief
24V660	G1 Plus grease pump, 24 VDC, 2 liter, low level, power cord, bracket, USP 8, pressure relief
24V661	G1 Plus grease pump, 24 VDC, 2 liter, low level, power cord, bracket, USP 10, pressure relief
24V662	G1 Plus grease pump, 24 VDC, 2 liter, low level, power cord, bracket, USP 12, pressure relief
24V663	G1 Plus grease pump, 24 VDC, 2 liter, low level, power cord, bracket, USP 14, pressure relief
24V664	G1 Plus grease pump, 24 VDC, 2 liter, low level, power cord, bracket, USP 16, pressure relief
24V680	G1 Plus grease pump, 110-240 VAC, 2 liter, low level, power cord, bracket, USP 6, pressure relief
24V681	G1 Plus grease pump, 110-240 VAC, 2 liter, low level, power cord, bracket, USP 8, pressure relief
24V682	G1 Plus grease pump, 110-240 VAC, 2 liter, low level, power cord, bracket, USP 10, pressure relief
24V683	G1 Plus grease pump, 110-240 VAC, 2 liter, low level, power cord, bracket, USP 12, pressure relief
24V684	G1 Plus grease pump, 110-240 VAC, 2 liter, low level, power cord, bracket, USP 14, pressure relief
24V685	G1 Plus grease pump 110-240 VAC, 2 liter, low level, power cord, bracket, USP 16, pressure relief



24V680



Off-Road Mobile Lubrication Systems

G3™ Pump Kits

Out-of-the-Box Lubrication Kits with Everything You Need for Installation

Each kit includes a 24 VDC pump, which is tested tough to withstand abuse from the elements. IP69K rated to handle the elements without an enclosure.

G3's Data Management System (DMS) makes it easy to transfer data to your PC via USB flash drive for further analysis using Excel® or Notepad®.

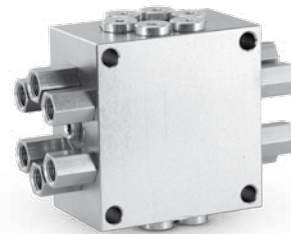
Each kit has the correct metering devices included. No need to figure out lubrication rates or calculate line lengths. Precision machined, honed and match-fit in our own factory for top performance.

Everything is included for faster installations with no special tools required. No more searching around for each adapter and connector—you get everything in one box ready for your installer.

- Continually monitored on-board lubrication regardless of length of operational schedules.
- Protects equipment from contamination, over- or under-lubrication, and mechanical failure caused by improper lubrication.
- Allows longer time between scheduled maintenance.
- Avoid breakdowns on the job site, schedule your equipment repairs and regular maintenance in the shop.



G3 Max Model



USP Metering Valve



Hoses



Fittings and Accessories

Ordering Information

G3 Pump Lubrication Kits		Manual
24R376	Wheel Loader, 8L G3 DMS, USP, 22 point	333502
24R377	Wheel Loader, 8L G3 DMS, USP, 31 point	333503
24R378	Telehandler/Loadall, 4L G3 DMS, USP, 21 point	333504
24R379	Backhoe, 4L G3 DMS, USP, 43 point	333505
24N815	Excavator, 8L G3 DMS, USP, 19 point	333501

What's Included:

- G3 Max Pump with Data Management System and remote manual run button
- USP Mono Block metering valves
- Hose and hose guarding
- Field-installable hose ends
- Fittings
- Accessories

Lubrication Systems

Dyna-Star® Electrically-Powered HP and HF 24 VDC

Features and Benefits

- High-quality helical hardened steel gears are lubricated for life and sealed to keep contaminants out for longer lasting performance
- Ability to adjust motor controls like power input, motor speed, current control and signal input to perfectly match the pump to your application and environmental changes
- Mechanical auto-fill shutoff and remote-mounted fill port ensures clean and efficient refills
- Vent valve mounts directly to pump with no special brackets or hoses for a compact design and less parts to break or wear out
- IP69K rated
- Built-in pressure relief for safety and compact, efficient installations
- Cavitation-free fill and vent path provides simple and direct venting and filling to the foot of the pump
- Built-in lift ring is rated to 500 lbs (226 kg)
- Strong 12 gauge steel reservoir available in 60 lb (27 kg) or 90 lb (41 kg) size
- AC to DC Converter Box for fixed and in-plant applications

Typical Applications

- Mining Operations
- Milling and Crushing
- Heavy-duty Construction
- Well Services
- Industrial (see next page for AC to DC Converter)

Technical Specifications

Maximum Lubricant Outlet Pressure	
HF models	3500 psi (24.1 MPa, 241 bar)
HP models	5000 psi (34.47 MPa, 344 bar)
Electrical Requirements	
All models	24 VDC
Input Voltage Range	
24 VDC	18 to 32 VDC
Flow Rate Range	
HF models	1.5 in ³ - 25 in ³ /minute (24.6 cm ³ - 410 cm ³ /minute)
HP models	1.5 in ³ - 18 in ³ /minute (24.6 cm ³ - 295 cm ³ /minute)
Inlet/Outlet Sizes	
Tank/reservoir fill port	1/2 in NPT
Overflow port	1/2 in NPT
Fluid outlet size	3/8 in NPT
Operating Temperature	
HF models	14° to 149° F (-10° to 65° C)
HP models	-40° to 149° F (-40° to 65° C)
Audible Sound Pressure	
71 dB(A)	

Product Manuals: Pumps 332514, Pump Systems 332540, Auto-Fill Shutoff 332518, Low Level 332515, Electric Vent Valve 332519, Drum Covers and Follower Plates 312738, Remote Fill Port 333393



77X102



77X001

Lubrication Systems

Dyna-Star® Electrically-Powered HP and HF AC to DC Converter Box

Features and Benefits

- Convenience of AC power and maintain the advantages of DC speed and amp control
- In-plant and fixed plant applications without expensive pneumatic and hydraulic power requirements
- Convenient hardware kit to make installation easy
- Two DC 20 amp outputs to power both pump and control
- On/off switch and detachable power cord to meet health and safety requirements

Typical Applications

- Rock crushers
- Food processing
- Steel milling
- Fixed and in-plant applications

Technical Specifications

Input Voltage.....	110-240 VAC
Input Frequency.....	50/60 Hz
Output Voltage.....	24 VDC
Output Current.....	20 amps
IP Rating.....	IP24
Environmental Temperature Range.....	14° to 122° F (-10° to 50° C)
Power Cord Length.....	9 ft (2.7 m)
Manual.....	333391



Installation Hardware Included



Lubrication Systems

Dyna-Star® Electrically-Powered HP and HF 24 VDC

Ordering Information

Stand Alone Pumps	
77X000	24 VDC HP stand-alone pump for 35 or 60 pound reservoir
77X001	24 VDC HP stand-alone pump with tube-in-tube for 35 or 60 pound reservoir
77X002	24 VDC HP stand-alone pump with tube-in-tube for 90 or 120 pound reservoir
77X003	24 VDC HP stand-alone pump with tube-in-tube for 400 pound reservoir
77X014	24 VDC HF stand-alone pump for 35 or 60 pound reservoir
77X015	24 VDC HF stand-alone pump for 120 pound reservoir
77X016	24 VDC HF stand-alone pump for 400 pound reservoir
Custom Tank Injector Kits	
77X011	24 VDC HP pump and vent valve with tube-in-tube for 35 or 60 pound reservoir
77X012	24 VDC HP pump and vent valve with tube-in-tube for 90 or 120 pound reservoir
77X013	24 VDC HP pump and vent valve with tube-in-tube for 400 pound reservoir
Injector Pump Modules	
77X100	24 VDC HP injector module with pump, tube-in-tube, vent valve, cover, tank, and dip stick for 60 pound reservoir
77X101	24 VDC HP injector module with pump, tube-in-tube, vent valve, cover, tank and dip stick for 90 pound reservoir
77X102	24 VDC HP injector module with pump, tube-in-tube, vent valve, cover, tank and auto-fill shutoff for 60 pound reservoir
77X103	24 VDC HP injector module with pump, tube-in-tube, vent valve, cover, tank and auto-fill shutoff for 90 pound reservoir
77X104	24 VDC HP injector module with pump, tube-in-tube, vent valve, follower plate, low level kit, cover, and tank for 60 pound reservoir
77X105	24 VDC HP injector module with pump, tube-in-tube, vent valve, follower plate, low level kit, cover, and tank for 90 pound reservoir
Standard Drum Injector Kits	
77X111	24 VDC HP pump, vent valve, and cover with tube-in-tube for 120 pound reservoir
77X112	24 VDC HP pump, vent valve, and cover with tube-in-tube for 400 pound reservoir
Standard Drum Kits	
77X121	24 VDC HF pump and cover for 120 pound reservoir
77X122	24 VDC HF pump and cover for 400 pound reservoir
Accessories	
77X500	Follower plate for Graco 60 pound and 90 pound Graco tank for tube-in-tube
77X510	Follower plate for 35 pound bucket with and without tube-in-tube
247701	Follower plate for 120 pound drum without tube-in-tube
77X511	Follower plate for 120 pound drum with tube-in-tube
247702	Follower plate for 400 pound drum without tube-in-tube
77X512	Follower plate for 400 pound drum with for tube-in-tube
77X513	Cover, cylinder, tie-rods and base to convert 60 pound length to 35 pound bucket
77X514	Cover for 120 pound drum
77X515	Cover for 400 pound drum
77X521	Auto-fill shutoff (AFSO) – diaphragm, plate, valve, coupler, and pipes
77X522	Low level kit sight glass, electric low level switch, and cable (requires follower plate 77X500)
77X523	400 micron inline filter, maximum 5,000 psi (344 bar) inlet pressure
77X524	110-230 VAC to 24 VDC converter box
77X540	24 VDC electric vent valve with pressure relief
77X541	Filter replacement kit – use with 77X523
77X542	Remote-fill port manifold with vent
77X543	HF manifold with 4,000 psi pressure relief
77X544	HP manifold with 5,000 psi pressure relief
77X545	Power cable for series progressive systems, M23 connector, 15 ft (4.6 m)
77X546	Power cable for injector systems, M23 connector, 15 ft (4.6 m)
115124	Pressure switch – pressure adjustment visible in window
24N180	Pressure switch, 1/4" BSPP inlet, DIN 43650 connector (1 NO/1 NC), 7,250 psi (500 bar)
24N181	Pressure switch, 1/4" NPT(f) inlet, DIN 43650 connector (1 NO/1 NC), 7,250 psi (500 bar)



Lubrication Systems

Compressor Lubrication

Manzel® Model 25 Lubricator

Features and Benefits

- General-Purpose Lubrication: automatic, precision metering for all types of machinery
- Type Pumping Unit: Clear-Vue. sight feed chamber functions at atmospheric pressure. Shows amount of lubricant being pumped
- Unitized Construction: Contains complete feed regulating mechanism with inlet strainer
- Number of Feeds: 1 to 20 per lubricator, standard
- Available drives: Direct rotary (1:1), ratchet, 37.5:1 and 75:1 internal gear reductions
- Reservoirs: Single compartment, sheet metal construction
- Feed regulator: External screw-type precisely adjustable while idle or in operation
- Removable Pumping Unit: Self contained. All units interchangeable—remove two pump screws and lift out
- Hand Crank: Standard. Convenient for rapid priming of lines before start-up or for momentarily increasing supply of lubricant. Does not affect adjustment or individual pumping units. Direct replacement for Kipp Model 50 Box Lubricators



562949

Typical Applications

- Provide lubrication to cylinder walls, bearings and other moving parts of equipment such as sugar mills, steam engines, presses and general machinery

Typical Fluids Handled

- Mineral oil base or synthetics

Technical Specifications

Piston Size inches (mm)	Max Pressure psi (bar)	Drops Per Stroke		Cubic Inches Per Stroke		Cubic cm Per Stroke		Strokes Per Minute	
		Min.	Max	Min.	Max	Min.	Max	Min.	Max
3/16 (4.8)	1,000 (69)	1/6	6	.0003	.0122	.008	.399	3	490
5/16 (7.9)	1,000 (69)	1/4	12	.0005	.0245	.005	.199	3	490

Ordering Information

Model 25 Pumps	
562949	3/16 inch (4.8 mm) diameter pump
562950	5/16 inch (7.9 mm) diameter pump
564317	Ratchet arm assembly
562988	Replacement handle
563939	Low level, fits into a pump slot

Feeds	Sight Glass	Gasket
1	556687	556721
2	556688	556722
3	556689	555741
4	556690	556723
5	556691	555742
6	556692	556724
7	556693	555743
8	556694	556725

Compressor Lubrication

Manzel® Model 25 Box Lubricator Configurator

Ordering Information

MA - X - X - X - X

Reservoir

Code Former Codes and Descriptions

- A R1 - 6.25 pt, 4 pump stations max
- B R2 - 9.25 pt, 8 pump stations max
- C R3 - 13 pt, 12 pump stations max
- D R4 - 16 pt, 16 pump stations max
- E R5 - 19.75 pt, 20 pump stations max

NOTE : Unused pump stations covered with blanking plate(s)

Pump Size

Code Former Codes and Descriptions

- A P-1 - 3/16 inch (4.8 mm) Diameter Plunger, 1,000 psi (68.9 bar) max Operating Pressure
- B P-2 - 5/16 inch (7.9 mm) Diameter Plunger, 1,000 psi (68.9 bar) max Operating Pressure

Pump Quantity

Code	Qty	Code	Qty	Code	Qty	Code	Qty
A	0	G	6	N	12	V	18
B	1	H	7	P	13	W	19
C	2	J	8	R	14	X	20
D	3	K	9	S	15		
E	4	L	10	T	16		
F	5	M	11	U	17		

Drive Options

Code Former Codes and Descriptions

- A D1R - Direct Rotary Right Hand Mount
- B D2R - Standard Ratchet (w/out drive arm) - Right Hand Mount
- C D3R - 37.5:1 Ratio - Right Hand Mount
- D D4R - 75:1 Ratio - Right Hand Mount
- E D1L - Direct Rotary Left Hand Mount
- F D2L - Standard Ratchet (w/out drive arm) - Left Hand Mount
- G D3L - 37.5:1 Ratio - Left Hand Mount
- H D4L - 75:1 Ratio - Left Hand Mount

Compressor Lubrication

Manzel® Model 25 Box Lubricators

Ordering Information

MAA - Up to 4 pumps	
MAAACB	R1-P1-2-D2R-LO
MAAADB	R1-P1-3-D2R-LO
MAAAEB	R1-P1-4-D2R-LO
MAAAEC	R1-P1-4-D3R-LO
MAABBB	R1-P2-1-D2R-LO
MAABBC	R1-P2-1-D3R-LO
MAABBF	R1-P2-1-D2L-LO
MAABBG	R1-P2-1-D3L-LO
MAABDB	R1-P2-3-D2R-LO
MAABDC	R1-P2-3-D3R-LO
MAABEB	R1-P2-4-D2R-LO
MAABEF	R1-P2-4-D2L-LO
MAB - Up to 8 pumps	
MABAAB	R2-P1-0-D2R-LO
MABACH	R2-P1-2-D4L-LO
MABAFC	R2-P1-5-D3R-LO
MABAFG	R2-P1-5-D3L-LO
MABAHC	R2-P1-7-D3R-LO
MABAHG	R2-P1-7-D3L-LO
MABAJA	R2-P1-8-D1R-LO
MABBAC	R2-P2-0-D3R-LO
MABBCG	R2-P2-2-D3L-LO
MABBEC	R2-P2-4-D3R-LO
MABBEE	R2-P2-4-D1L-LO
MABBFF	R2-P2-5-D2L-LO
MABBFG	R2-P2-5-D3L-LO
MABBGA	R2-P2-6-D1R-LO
MABBGB	R2-P2-6-D2R-LO
MABBGC	R2-P2-6-D3R-LO
MABBGF	R2-P2-6-D2L-LO
MABBHC	R2-P2-7-D3R-LO
MABBHG	R2-P2-7-D3L-LO

MAC - Up to 12 pumps	
MACAAA	R3-P1-0-D1R-LO
MACAEH	R3-P1-4-D4L-LO
MACAGH	R3-P1-6-D4L-LO
MACAHF	R3-P1-7-D2L-LO
MACAKE	R3-P1-9-D1L-LO
MACALC	R3-P1-10-D3R-LO
MACANB	R3-P1-12-D2R-LO
MACBJB	R3-P2-8-D2R-LO
MACBKA	R3-P2-9-D1R-LO
MACBLC	R3-P2-10-D3R-LO
MACBLG	R3-P2-10-D3L-LO
MAD - Up to 16 pumps	
MADBCC	R4-P2-2-D3R-LO
MADBLH	R4-P2-10-D4L-LO
MADBSG	R4-P2-15-D3L-LO
MAE - Up to 20 pumps	
MAEAAB	R5-P1-0-D2R-LO
MAEBGE	R5-P2-6-D1L-LO

Compressor Lubrication

Manzel® MBL Box Lubricators

Features and Benefits

- Provide a proven, cost-effective way to assemble customized oil systems that meet specific requirements by using standard modular components
- Increase opportunities to standardize lube system components and reduce lube maintenance and service costs
- Dependable and backed by the industry's most comprehensive international distributor network—with application expertise, parts stocks, and factory-trained service nearby, wherever you are located

Typical Applications

- Provide lubrication to cylinder walls, bearings and other moving parts of equipment such as refineries, injection and storage, general manufacturing, air systems, and food processing equipment

Typical Fluids Handled

- Mineral oil base or synthetics



Ordering Information

Manzel® MBL Box Lubricators	
MBA0AA	4 pint reservoir (2 pump stations max), no pumps installed, 1:1 direct drive, RH
MBA0AM	4 pint reservoir (2 pump stations max), no pumps installed, 200:1 end rotary, RH
MBA0AN	4 pint reservoir (2 pump stations max), no pumps installed, 400:1 end rotary, RH
MBA1BA	4 pint reservoir (2 pump stations max), 3/16 inch GBL 7500 pump (qty 1), 1:1 direct drive, RH
MBA1CB	4 pint reservoir (2 pump stations max), 3/16 inch GBL 7500 pump (qty 2), end ratchet, RH
MBA1CF	4 pint reservoir (2 pump stations max), 3/16 inch GBL 7500 pump (qty 2), end ratchet, LH
MBA1CM	4 pint reservoir (2 pump stations max), 3/16 inch GBL 7500 pump (qty 2), 200:1 end rotary, RH
MBA2BF	4 pint reservoir (2 pump stations max), 1/4 inch GBL 7500 pump (qty 1), end ratchet, LH
MBA2BR	4 pint reservoir (2 pump stations max), 1/4 inch GBL 7500 pump (qty 1), 50:1 right angle, RH
MBA2CE	4 pint reservoir (2 pump stations max), 1/4 inch GBL 7500 pump (qty 2), 1:1 direct drive, LH
MBA2CR	4 pint reservoir (2 pump stations max), 1/4 inch GBL 7500 pump (qty 2), 50:1 right angle, RH
MBA3CD	4 pint reservoir (2 pump stations max), 3/8 inch GBL 7500 pump (qty 2), 75:1 ratchet, RH
MBB0AA	6 pint reservoir (3 pump stations max), no pumps installed, 1:1 direct drive, RH
MBB0AB	6 pint reservoir (3 pump stations max), no pumps installed, end ratchet, RH
MBB0AC	6 pint reservoir (3 pump stations max), no pumps installed, 37.5:1 ratchet, RH
MBB0AG	6 pint reservoir (3 pump stations max), no pumps installed, 37.5:1 ratchet, LH
MBB0AH	6 pint reservoir (3 pump stations max), no pumps installed, 75:1 ratchet, LH
MBB0AM	6 pint reservoir (3 pump stations max), no pumps installed, 200:1 end rotary, RH
MBB0AN	6 pint reservoir (3 pump stations max), no pumps installed, 400:1 end rotary, RH
MBB1CM	6 pint reservoir (3 pump stations max), 3/16 inch GBL 7500 pump (qty 2), 200:1 end rotary, RH
MBB1CZ	6 pint reservoir (3 pump stations max), 3/16 inch GBL 7500 pump (qty 2), 188:1 right angle, LH
MBB1DA	6 pint reservoir (3 pump stations max), 3/16 inch GBL 7500 pump (qty 3), 1:1 direct drive, RH
MBB1DM	6 pint reservoir (3 pump stations max), 3/16 inch GBL 7500 pump (qty 3), 200:1 end rotary, RH
MBB2BB	6 pint reservoir (3 pump stations max), 1/4 inch GBL 7500 pump (qty 1), end ratchet, RH
MBB2CA	6 pint reservoir (3 pump stations max), 1/4 inch GBL 7500 pump (qty 2), 1:1 direct drive, RH
MBB2CB	6 pint reservoir (3 pump stations max), 1/4 inch GBL 7500 pump (qty 2), end ratchet, RH
MBB2CD	6 pint reservoir (3 pump stations max), 1/4 inch GBL 7500 pump (qty 2), 75:1 ratchet, RH

Compressor Lubrication

Manzel® MBL Box Lubricators

Ordering Information

Manzel® MBL Box Lubricators	
MBB2CE	6 pint reservoir (3 pump stations max), 1/4 inch (6.4 mm) GBL 7500 pump (qty 2), 1:1 direct drive, LH
MBB2CM	6 pint reservoir (3 pump stations max), 1/4 inch (6.4 mm) GBL 7500 pump (qty 2), 200:1 end rotary, RH
MBB2CN	6 pint reservoir (3 pump stations max), 1/4 inch (6.4 mm) GBL 7500 pump (qty 2), 400:1 end rotary, RH
MBB2DC	6 pint reservoir (3 pump stations max), 1/4 inch (6.4 mm) GBL 7500 pump (qty 3), 37.5:1 ratchet, RH
MBB2DG	6 pint reservoir (3 pump stations max), 1/4 inch (6.4 mm) GBL 7500 pump (qty 3), 37.5:1 ratchet, LH
MBB2DM	6 pint reservoir (3 pump stations max), 1/4 inch (6.4 mm) GBL 7500 pump (qty 3), 200:1 end rotary, RH
MBB3CA	6 pint reservoir (3 pump stations max), 3/8 inch (9.5 mm) GBL 7500 pump (qty 2), 1:1 direct drive, RH
MBC0AA	8 pint reservoir (5 pump stations max), no pumps installed, 1:1 direct drive, RH
MBC0AC	8 pint reservoir (5 pump stations max), no pumps installed, 37.5:1 ratchet, RH
MBC0AE	8 pint reservoir (5 pump stations max), no pumps installed, 1:1 direct drive, LH
MBC0AG	8 pint reservoir (5 pump stations max), no pumps installed, 37.5:1 ratchet, LH
MBC0AL	8 pint reservoir (5 pump stations max), no pumps installed, 100:1 end rotary, RH
MBC0AS	8 pint reservoir (5 pump stations max), no pumps installed, 188:1 right angle, RH
MBC1EB	8 pint reservoir (5 pump stations max), 3/16 inch (4.8 mm) GBL 7500 pump (qty 4), end ratchet, RH
MBC1EE	8 pint reservoir (5 pump stations max), 3/16 inch (4.8 mm) GBL 7500 pump (qty 4), 1:1 direct drive, LH
MBC1EJ	8 pint reservoir (5 pump stations max), 3/16 inch (4.8 mm) GBL 7500 pump (qty 4), 25:1 end rotary, RH
MBC1FE	8 pint reservoir (5 pump stations max), 3/16 inch (4.8 mm) GBL 7500 pump (qty 5), 1:1 direct drive, LH
MBC2BL	8 pint reservoir (5 pump stations max), 1/4 inch (6.4 mm) GBL 7500 pump (qty 1), 100:1 end rotary, RH
MBC2CM	8 pint reservoir (5 pump stations max), 1/4 inch (6.4 mm) GBL 7500 pump (qty 2), 200:1 end rotary, RH
MBC2CN	8 pint reservoir (5 pump stations max), 1/4 inch (6.4 mm) GBL 7500 pump (qty 2), 400:1 end rotary, RH
MBC2DB	8 pint reservoir (5 pump stations max), 1/4 inch (6.4 mm) GBL 7500 pump (qty 3), end ratchet, RH
MBC2EA	8 pint reservoir (5 pump stations max), 1/4 inch (6.4 mm) GBL 7500 pump (qty 4), 1:1 direct drive, RH
MBC2EB	8 pint reservoir (5 pump stations max), 1/4 inch (6.4 mm) GBL 7500 pump (qty 4), end ratchet, RH
MBC2ED	8 pint reservoir (5 pump stations max), 1/4 inch (6.4 mm) GBL 7500 pump (qty 4), 75:1 ratchet, RH
MBC2EF	8 pint reservoir (5 pump stations max), 1/4 inch (6.4 mm) GBL 7500 pump (qty 4), end ratchet, LH
MBC2FB	8 pint reservoir (5 pump stations max), 1/4 inch (6.4 mm) GBL 7500 pump (qty 5), end ratchet, RH
MBC2FE	8 pint reservoir (5 pump stations max), 1/4 inch (6.4 mm) GBL 7500 pump (qty 5), 1:1 direct drive, LH
MBC2FG	8 pint reservoir (5 pump stations max), 1/4 inch (6.4 mm) GBL 7500 pump (qty 5), 37.5:1 ratchet, LH
MBC2FL	8 pint reservoir (5 pump stations max), 1/4 inch (6.4 mm) GBL 7500 pump (qty 5), 100:1 end rotary, RH
MBC3EB	8 pint reservoir (5 pump stations max), 3/8 inch (6.4 mm) GBL 7500 pump (qty 4), end ratchet, RH
MBC5DE	8 pint reservoir (5 pump stations max), 1/4 inch (6.4 mm) GBL 7500 pump (qty 3), Rens Level Controller "F3", 1:1 direct drive, LH
MBC7CM	8 pint reservoir (5 pump stations max), 3/16 inch (4.8 mm) GBL 7500 pump (qty 2), Garza Level Controller "F4" (Class 1 Group D), 200:1 end rotary, RH
MBD0AA	12 pint reservoir (8 pump stations max), no pumps installed, 1:1 direct drive, RH
MBD0AE	12 pint reservoir (8 pump stations max), no pumps installed, 1:1 direct drive, LH
MBD0AH	12 pint reservoir (8 pump stations max), no pumps installed, 75:1 ratchet, LH
MBD0AL	12 pint reservoir (8 pump stations max), no pumps installed, 100:1 end rotary, RH
MBD0AM	12 pint reservoir (8 pump stations max), no pumps installed, 200:1 end rotary, RH
MBD0AN	12 pint reservoir (8 pump stations max), no pumps installed, 400:1 end rotary, RH
MBD1DN	12 pint reservoir (8 pump stations max), 3/16 inch (4.8 mm) GBL 7500 pump (qty 3), 400:1 end rotary, RH
MBD1EE	12 pint reservoir (8 pump stations max), 3/16 inch (4.8 mm) GBL 7500 pump (qty 4), 1:1 direct drive, LH
MBD1EM	12 pint reservoir (8 pump stations max), 3/16 inch (4.8 mm) GBL 7500 pump (qty 4), 200:1 end rotary, RH
MBD1EN	12 pint reservoir (8 pump stations max), 3/16 inch (4.8 mm) GBL 7500 pump (qty 4), 400:1 end rotary, RH

Compressor Lubrication

Manzel® MBL Box Lubricators

Ordering Information

Manzel® MBL Box Lubricators	
MBD1FA	12 pint reservoir (8 pump stations max), 3/16 inch (4.8 mm) GBL 7500 pump (qty 5), 1:1 direct drive, RH
MBD1FN	12 pint reservoir (8 pump stations max), 3/16 inch (4.8 mm) GBL 7500 pump (qty 5), 400:1 end rotary, RH
MBD1GL	12 pint reservoir (8 pump stations max), 3/16 inch (4.8 mm) GBL 7500 pump (qty 6), 100:1 end rotary, RH
MBD1GN	12 pint reservoir (8 pump stations max), 3/16 inch (4.8 mm) GBL 7500 pump (qty 6), 400:1 end rotary, RH
MBD1GT	12 pint reservoir (8 pump stations max), 3/16 inch (4.8 mm) GBL 7500 pump (qty 6), 375:1 right angle, RH
MBD1JA	12 pint reservoir (8 pump stations max), 3/16 inch (4.8 mm) GBL 7500 pump (qty 8), 1:1 direct drive, RH
MBD2BR	12 pint reservoir (8 pump stations max), 1/4 inch (6.4 mm) GBL 7500 pump (qty 1), 50:1 right angle, RH
MBD2DA	12 pint reservoir (8 pump stations max), 1/4 inch (6.4 mm) GBL 7500 pump (qty 3), 1:1 direct drive, RH
MBD2DD	12 pint reservoir (8 pump stations max), 1/4 inch (6.4 mm) GBL 7500 pump (qty 3), 75:1 ratchet, RH
MBD2DF	12 pint reservoir (8 pump stations max), 1/4 inch (6.4 mm) GBL 7500 pump (qty 3), end ratchet, LH
MBD2DM	12 pint reservoir (8 pump stations max), 1/4 inch (6.4 mm) GBL 7500 pump (qty 3), 200:1 end rotary, RH
MBD2FF	12 pint reservoir (8 pump stations max), 1/4 inch (6.4 mm) GBL 7500 pump (qty 5), end ratchet, LH
MBD2FR	12 pint reservoir (8 pump stations max), 1/4 inch (6.4 mm) GBL 7500 pump (qty 5), 50:1 right angle, RH
MBD2GA	12 pint reservoir (8 pump stations max), 1/4 inch (6.4 mm) GBL 7500 pump (qty 6), 1:1 direct drive, RH
MBD2GK	12 pint reservoir (8 pump stations max), 1/4 inch (6.4 mm) GBL 7500 pump (qty 6), 50:1 end rotary, RH
MBD2GL	12 pint reservoir (8 pump stations max), 1/4 inch (6.4 mm) GBL 7500 pump (qty 6), 100:1 end rotary, RH
MBD2GR	12 pint reservoir (8 pump stations max), 1/4 inch (6.4 mm) GBL 7500 pump (qty 6), 50:1 right angle, RH
MBD2GZ	12 pint reservoir (8 pump stations max), 1/4 inch (6.4 mm) GBL 7500 pump (qty 6), 188:1 right angle, LH
MBD2JA	12 pint reservoir (8 pump stations max), 1/4 inch (6.4 mm) GBL 7500 pump (qty 8), 1:1 direct drive, RH
MBD2JB	12 pint reservoir (8 pump stations max), 1/4 inch (6.4 mm) GBL 7500 pump (qty 8), end ratchet, RH
MBD2JE	12 pint reservoir (8 pump stations max), 1/4 inch (6.4 mm) GBL 7500 pump (qty 8), 1:1 direct drive, LH
MBD3FC	12 pint reservoir (8 pump stations max), 3/8 inch (9.5 mm) GBL 7500 pump (qty 5), 37.5:1 ratchet, RH
MBD3GA	12 pint reservoir (8 pump stations max), 3/8 inch (9.5 mm) GBL 7500 pump (qty 6), 1:1 direct drive, RH
MBD5GE	12 pint reservoir (8 pump stations max), 1/4 inch (6.4 mm) GBL 7500 pump (qty 6), Rens Level Controller "F3", 1:1 direct drive, LH
MBD7HN	12 pint reservoir (8 pump stations max), 3/16 inch (4.8 mm) GBL 7500 pump (qty 7), Garza Level Controller "F4" (Class 1 Group D), 400:1 end rotary, RH
MBE0AA	16 pint reservoir (12 pump stations max), no pumps installed, 1:1 direct drive, RH
MBE0AC	16 pint reservoir (12 pump stations max), no pumps installed, 37.5:1 ratchet, RH
MBE0AE	16 pint reservoir (12 pump stations max), no pumps installed, 1:1 direct drive, LH
MBE0AG	16 pint reservoir (12 pump stations max), no pumps installed, 37.5:1 ratchet, LH
MBE0AH	16 pint reservoir (12 pump stations max), no pumps installed, 75:1 ratchet, LH
MBE1FJ	16 pint reservoir (12 pump stations max), 3/16 inch (4.8 mm) GBL 7500 pump (qty 5), 25:1 end rotary, RH
MBE1HN	16 pint reservoir (12 pump stations max), 3/16 inch (4.8 mm) GBL 7500 pump (qty 7), 400:1 end rotary, RH
MBE1JA	16 pint reservoir (12 pump stations max), 3/16 inch (4.8 mm) GBL 7500 pump (qty 8), 1:1 direct drive, RH
MBE1JE	16 pint reservoir (12 pump stations max), 3/16 inch (4.8 mm) GBL 7500 pump (qty 8), 1:1 direct drive, LH
MBE1JM	16 pint reservoir (12 pump stations max), 3/16 inch (4.8 mm) GBL 7500 pump (qty 8), 200:1 end rotary, RH
MBE1KM	16 pint reservoir (12 pump stations max), 3/16 inch (4.8 mm) GBL 7500 pump (qty 9), 200:1 end rotary, RH
MBE1MC	16 pint reservoir (12 pump stations max), 3/16 inch (4.8 mm) GBL 7500 pump (qty 11), 37.5:1 ratchet, RH
MBE1ME	16 pint reservoir (12 pump stations max), 3/16 inch (4.8 mm) GBL 7500 pump (qty 11), 1:1 direct drive, LH
MBE1NG	16 pint reservoir (12 pump stations max), 3/16 inch (4.8 mm) GBL 7500 pump (qty 12), 37.5:1 ratchet, LH
MBE1NR	16 pint reservoir (12 pump stations max), 3/16 inch (4.8 mm) GBL 7500 pump (qty 12), 50:1 right angle, RH
MBE2ER	16 pint reservoir (12 pump stations max), 1/4 inch (6.4 mm) GBL 7500 pump (qty 4), 50:1 right angle, RH
MBE2JM	16 pint reservoir (12 pump stations max), 1/4 inch (6.4 mm) GBL 7500 pump (qty 8), 200:1 end rotary, RH

Compressor Lubrication

Manzel® MBL Box Lubricators

Ordering Information

Manzel® MBL Box Lubricators	
MBE2KA	16 pint reservoir (12 pump stations max), 1/4 inch (6.4 mm) GBL 7500 pump (qty 9), 1:1 direct drive, RH
MBE2KG	16 pint reservoir (12 pump stations max), 1/4 inch (6.4 mm) GBL 7500 pump (qty 9), 37.5:1 ratchet, LH
MBE2KL	16 pint reservoir (12 pump stations max), 1/4 inch (6.4 mm) GBL 7500 pump (qty 9), 100:1 end rotary, RH
MBE2KN	16 pint reservoir (12 pump stations max), 1/4 inch (6.4 mm) GBL 7500 pump (qty 9), 400:1 end rotary, RH
MBE2KZ	16 pint reservoir (12 pump stations max), 1/4 inch (6.4 mm) GBL 7500 pump (qty 9), 188:1 right angle, LH
MBE2LA	16 pint reservoir (12 pump stations max), 1/4 inch (6.4 mm) GBL 7500 pump (qty 10), 1:1 direct drive, RH
MBE2LL	16 pint reservoir (12 pump stations max), 1/4 inch (6.4 mm) GBL 7500 pump (qty 10), 100:1 end rotary, RH
MBE2NA	16 pint reservoir (12 pump stations max), 1/4 inch (6.4 mm) GBL 7500 pump (qty 12), 1:1 direct drive, RH
MBE2NE	16 pint reservoir (12 pump stations max), 1/4 inch (6.4 mm) GBL 7500 pump (qty 12), 1:1 direct drive, LH
MBE2NM	16 pint reservoir (12 pump stations max), 1/4 inch (6.4 mm) GBL 7500 pump (qty 12), 200:1 end rotary, RH
MBE2NT	16 pint reservoir (12 pump stations max), 1/4 inch (6.4 mm) GBL 7500 pump (qty 12), 375:1 right angle, RH
MBE4EN	16 pint reservoir (12 pump stations max), 3/16 inch (4.8 mm) GBL 7500 pump (qty 4), Rens Level Controller "F3",
MBE5CA	16 pint reservoir (12 pump stations max), 1/4 inch (6.4 mm) GBL 7500 pump (qty 2), Rens Level Controller "F3", 1:1 direct drive, RH
MBFOAA	24 pint reservoir (16 pump stations max), no pumps installed, 1:1 direct drive, RH
MBFOAE	24 pint reservoir (16 pump stations max), no pumps installed, 1:1 direct drive, LH
MBFOAG	24 pint reservoir (16 pump stations max), no pumps installed, 37.5:1 ratchet, RH
MBFOAH	24 pint reservoir (16 pump stations max), no pumps installed, 75:1 ratchet, LH
MBF1RA	24 pint reservoir (16 pump stations max), 3/16 inch (4.8 mm) GBL 7500 pump (qty 14), 1:1 direct drive, RH
MBF1SA	24 pint reservoir (16 pump stations max), 3/16 inch (4.8 mm) GBL 7500 pump (qty 15), 1:1 direct drive, RH
MBF2JA	24 pint reservoir (16 pump stations max), 1/4 inch (6.4 mm) GBL 7500 pump (qty 8), 1:1 direct drive, RH
MBF2MD	24 pint reservoir (16 pump stations max), 1/4 inch (6.4 mm) GBL 7500 pump (qty 11), 75:1 ratchet, RH
MBF2NB	24 pint reservoir (16 pump stations max), 1/4 inch (6.4 mm) GBL 7500 pump (qty 12), end ratchet, RH
MBF2NE	24 pint reservoir (16 pump stations max), 1/4 inch (6.4 mm) GBL 7500 pump (qty 12), 1:1 direct drive, LH
MBF2PA	24 pint reservoir (16 pump stations max), 1/4 inch (6.4 mm) GBL 7500 pump (qty 13), 1:1 direct drive, RH
MBF2PE	24 pint reservoir (16 pump stations max), 1/4 inch (6.4 mm) GBL 7500 pump (qty 13), 1:1 direct drive, LH
MBF2RC	24 pint reservoir (16 pump stations max), 1/4 inch (6.4 mm) GBL 7500 pump (qty 14), 37.5:1 ratchet, LH
MBF2TE	24 pint reservoir (16 pump stations max), 1/4 inch (6.4 mm) GBL 7500 pump (qty 16), 1:1 direct drive, LH
MBF3CA	24 pint reservoir (16 pump stations max), 3/8 inch (9.5 mm) inch GBL 7500 pump (qty 2), 1:1 direct drive, RH
MBF3NA	24 pint reservoir (16 pump stations max), 3/8 inch (9.5 mm) GBL 7500 pump (qty 12), 1:1 direct drive, RH
MBF3PA	24 pint reservoir (16 pump stations max), 3/8 inch (9.5 mm) GBL 7500 pump (qty 13), 1:1 direct drive, RH
MBG0AA	32 pint reservoir (20 pump stations max), with motor mount base, no pumps installed, 1:1 direct drive, RH
MBG0AC	32 pint reservoir (20 pump stations max), with motor mount base, no pumps installed, 37.5:1 ratchet, LH
MBG0AE	32 pint reservoir (20 pump stations max), with motor mount base, no pumps installed, 1:1 direct drive, LH
MBG0AG	32 pint reservoir (20 pump stations max), with motor mount base, no pumps installed, 37.5:1 ratchet, RH
MBG0AH	32 pint reservoir (20 pump stations max), with motor mount base, no pumps installed, 75:1 ratchet, LH
MBG1VA	32 pint reservoir (20 pump stations max), 3/16 inch (4.8 mm) GBL 7500 pump (qty 18), 1:1 direct drive, RH
MBG1WA	32 pint reservoir (20 pump stations max), 3/16 inch (4.8 mm) GBL 7500 pump (qty 19), 1:1 direct drive, RH
MBG2TE	32 pint reservoir (20 pump stations max), 1/4 (6.4 mm) inch GBL 7500 pump (qty 16), 1:1 direct drive, LH
MBH0AA	40 pint reservoir (24 pump stations max), with motor mount base, no pumps installed, 1:1 direct drive, RH
MBH0AE	40 pint reservoir (24 pump stations max), with motor mount base, no pumps installed, 1:1 direct drive, LH
MBH2UA	40 pint reservoir (24 pump stations max), 1/4 (6.4 mm) GBL 7500 pump (qty 17), 1:1 direct drive, RH
MBH2ZE	40 pint reservoir (24 pump stations max), 1/4 (6.4 mm) GBL 7500 pump (qty 22), 1:1 direct drive, LH

Compressor Lubrication

Manzel® MBL Box Lubricators

Ordering Information

Manzel® MBL Box Lubricators	
MBH3ZA	40 pint reservoir (24 pump stations max), 3/8 inch (9.5 mm) GBL 7500 pump (qty 22), 1:1 direct drive, RH
MBJ1BM	4 pint reservoir (2 pump stations max), with motor mount base, 3/16 inch (4.8 mm) GBL 7500 pump (qty 1), 200:1 end rotary, RH
MBJ1CN	4 pint reservoir (2 pump stations max), with motor mount base, 3/16 inch (4.8 mm) GBL 7500 pump (qty 2), 400:1 end rotary, RH
MBK0AL	6 pint reservoir (3 pump stations max), with motor mount base, no pumps installed, 100:1 end rotary, RH
MBK0AN	6 pint reservoir (3 pump stations max), with motor mount base, no pumps installed, 400:1 end rotary, RH
MBK1BN	6 pint reservoir (3 pump stations max), with motor mount base, 3/16 inch (4.8 mm) GBL 7500 pump (qty 1), 400:1 end rotary, RH
MBK1CM	6 pint reservoir (3 pump stations max), with motor mount base, 3/16 inch (4.8 mm) GBL 7500 pump (qty 2), 200:1 end rotary, RH
MBK1CN	6 pint reservoir (3 pump stations max), with motor mount base, 3/16 inch (4.8 mm) GBL 7500 pump (qty 2), 400:1 end rotary, RH
MBK2CN	6 pint reservoir (3 pump stations max), with motor mount base, 3/16 inch (4.8 mm) GBL 7500 pump (qty 2), 400:1 end rotary, RH
MBK2DA	6 pint reservoir (3 pump stations max), with motor mount base, 3/16 inch (4.8 mm) GBL 7500 pump (qty 3), 1:1 direct drive, RH
MBK2DC	6 pint reservoir (3 pump stations max), with motor mount base, 3/16 inch (4.8 mm) GBL 7500 pump (qty 3), 37.5:1 ratchet, RH
MBK2DF	6 pint reservoir (3 pump stations max), with motor mount base, 3/16 inch (4.8 mm) GBL 7500 pump (qty 3), end ratchet, LH
MBK3CL	6 pint reservoir (3 pump stations max), with motor mount base, 3/8 inch (9.5 mm) GBL 7500 pump (qty 2), 100:1 end rotary, RH
MBK3DK	6 pint reservoir (3 pump stations max), with motor mount base, 3/8 inch (9.5 mm) GBL 7500 pump (qty 3), 50:1 end rotary, RH
MBLOAA	8 pint reservoir (5 pump stations max), with motor mount base, no pumps installed, 1:1 direct drive, RH
MBLOAM	8 pint reservoir (5 pump stations max), with motor mount base, no pumps installed, 200:1 end rotary, RH
MBLOAN	8 pint reservoir (5 pump stations max), with motor mount base, no pumps installed, 400:1 end rotary, RH
MBL1EA	8 pint reservoir (5 pump stations max), with motor mount base, 3/16 inch (4.8 mm) GBL 7500 pump (qty 4), 1:1 direct drive, RH
MBL1EN	8 pint reservoir (5 pump stations max), with motor mount base, 3/16 inch (4.8 mm) GBL 7500 pump (qty 4), 400:1 end rotary, RH
MBL2EA	8 pint reservoir (5 pump stations max), with motor mount base, 1/4 inch (6.4 mm) GBL 7500 pump (qty 4), 1:1 direct drive, RH
MBL2EN	8 pint reservoir (5 pump stations max), with motor mount base, 1/4 inch (6.4 mm) GBL 7500 pump (qty 4), 400:1 end rotary, RH
MBL2FN	8 pint reservoir (5 pump stations max), with motor mount base, 1/4 inch (6.4 mm) GBL 7500 pump (qty 5), 400:1 end rotary, RH
MBL3CN	8 pint reservoir (5 pump stations max), with motor mount base, 3/8 inch (9.5 mm) GBL 7500 pump (qty 2), 400:1 end rotary, RH
MBL7CM	8 pint reservoir (5 pump stations max), with motor mount base, 3/16 inch (4.8 mm) GBL 7500 pump (qty 2), Garza Level Controller "F4" (Class 1 Group D), 200:1 end rotary, RH
MBM1HN	12 pint reservoir (8 pump stations max), with motor mount base, 3/16 inch (4.8 mm) GBL 7500 pump (qty 7), 400:1 end rotary, RH
MBM1JM	12 pint reservoir (8 pump stations max), with motor mount base, 3/16 inch (4.8 mm) GBL 7500 pump (qty 8), 200:1 end rotary, RH
MBM2EK	12 pint reservoir (8 pump stations max), with motor mount base, 1/4 inch (6.4 mm) GBL 7500 pump (qty 4), 50:1 end rotary, RH
MBM2EM	12 pint reservoir (8 pump stations max), with motor mount base, 1/4 inch (6.4 mm) GBL 7500 pump (qty 4), 200:1 end rotary, RH
MBM2FN	12 pint reservoir (8 pump stations max), with motor mount base, 1/4 inch (6.4 mm) GBL 7500 pump (qty 5), 400:1 end rotary, RH
MBM2GM	12 pint reservoir (8 pump stations max), with motor mount base, 1/4 inch (6.4 mm) GBL 7500 pump (qty 6), 200:1 end rotary, RH
MBM2GN	12 pint reservoir (8 pump stations max), with motor mount base, 1/4 inch (6.4 mm) GBL 7500 pump (qty 6), 400:1 end rotary, RH
MBM2JL	12 pint reservoir (8 pump stations max), with motor mount base, 1/4 inch (6.4 mm) GBL 7500 pump (qty 8), 100:1 end rotary, RH
MBM3FL	12 pint reservoir (8 pump stations max), with motor mount base, 3/8 inch (9.5 mm) GBL 7500 pump (qty 5), 100:1 end rotary, RH

Compressor Lubrication

Manzel® MBL Box Lubricators

Ordering Information

Manzel® MBL Box Lubricators	
MBM4EM	12 pint reservoir (8 pump stations max), with motor mount base, 3/16 inch (4.8 mm) GBL 7500 pump (qty 4), Rens Level Controller "F3", 200:1 end rotary, RH
MBN1BM	16 pint reservoir (12 pump stations max), with motor mount base, 3/16 inch (4.8 mm) GBL 7500 pump (qty 1), 200:1 end rotary, RH
MBN1JM	16 pint reservoir (12 pump stations max), with motor mount base, 3/16 inch (4.8 mm) GBL 7500 pump (qty 8), 200:1 end rotary, RH
MBN1KM	16 pint reservoir (12 pump stations max), with motor mount base, 3/16 inch (4.8 mm) GBL 7500 pump (qty 9), 200:1 end rotary, RH
MBN1LN	16 pint reservoir (12 pump stations max), with motor mount base, 3/16 inch (4.8 mm) GBL 7500 pump (qty 10), 400:1 end rotary, RH
MBN1MN	16 pint reservoir (12 pump stations max), with motor mount base, 3/16 inch (4.8 mm) GBL 7500 pump (qty 11), 400:1 end rotary, RH
MBN1NK	16 pint reservoir (12 pump stations max), with motor mount base, 3/16 inch (4.8 mm) GBL 7500 pump (qty 12), 50:1 end rotary, RH
MBN2JK	16 pint reservoir (12 pump stations max), with motor mount base, 1/4 inch (6.4 mm) GBL 7500 pump (qty 9), 50:1 end rotary, RH
MBN2MN	16 pint reservoir (12 pump stations max), with motor mount base, 1/4 inch (6.4 mm) GBL 7500 pump (qty 11), 400:1 end rotary, RH
MBN3DN	16 pint reservoir (12 pump stations max), with motor mount base, 3/8 inch (9.5 mm) GBL 7500 pump (qty 3), 400:1 end rotary, RH
MBN3NK	16 pint reservoir (12 pump stations max), with motor mount base, 3/8 inch (9.5 mm) GBL 7500 pump (qty 12), 50:1 end rotary, RH
MBP0AW	24 pint reservoir (16 pump stations max), with motor mount base, no pumps installed, 200:1 heavy duty, RH
MBP1RU	24 pint reservoir (16 pump stations max), with motor mount base, 3/16 inch (4.8 mm) GBL 7500 pump (qty 14), 100:1 heavy duty, RH
MBP1SU	24 pint reservoir (16 pump stations max), with motor mount base, 3/16 inch (4.8 mm) GBL 7500 pump (qty 15), 100:1 heavy duty, RH
MBP2NW	24 pint reservoir (16 pump stations max), with motor mount base, 1/4 inch (6.4 mm) GBL 7500 pump (qty 12), 200:1 heavy duty, RH
MBP2NY	24 pint reservoir (16 pump stations max), with motor mount base, 1/4 inch (6.4 mm) GBL 7500 pump (qty 12), 400:1 heavy duty, RH
MBR0AY	32 pint reservoir (20 pump stations max), with motor mount base, no pumps installed, 400:1 heavy duty, RH
MBR1UY	32 pint reservoir (20 pump stations max), with motor mount base, 3/16 inch (4.8 mm) GBL 7500 pump (qty 17), 400:1 heavy duty, RH
MBR1VU	32 pint reservoir (20 pump stations max), with motor mount base, 3/16 inch (4.8 mm) GBL 7500 pump (qty 18), 100:1 heavy duty, RH
MBR1WU	32 pint reservoir (20 pump stations max), with motor mount base, 3/16 inch (4.8 mm) GBL 7500 pump (qty 19), 100:1 heavy duty, RH
MBR7VY	32 pint reservoir (20 pump stations max), with motor mount base, 3/16 inch (4.8 mm) GBL 7500 pump (qty 18), Garza Level Controller "F4" (Class 1 Group D), 400:1 heavy duty, RH
MBS0AU	40 pint reservoir (24 pump stations max), with motor mount base, no pumps installed, 100:1 heavy duty, RH
MBS0AX	40 pint reservoir (24 pump stations max), with motor mount base, no pumps installed, 300:1 heavy duty, RH
MBS0AY	40 pint reservoir (24 pump stations max), with motor mount base, no pumps installed, 400:1 heavy duty, RH
MBS2XA	40 pint reservoir (24 pump stations max), with motor mount base, 1/4 inch (6.4 mm) GBL 7500 pump (qty 20), 1:1 direct drive, RH
MBS2ZA	40 pint reservoir (24 pump stations max), with motor mount base, 1/4 inch (6.4 mm) GBL 7500 pump (qty 22), 1:1 direct drive, RH
MBS3LY	40 pint reservoir (24 pump stations max), with motor mount base, 3/8 inch (9.5 mm) GBL 7500 pump (qty 10), 400:1 heavy duty, RH

Compressor Lubrication

Manzel® MBL Box Lubricator Configurator

Ordering Menu Code

MB - X - X - X - X

Reservoir

Code	Former Codes and Descriptions	Code	Former Codes and Descriptions
A	T1 - 4 pt, 2 pump stations max	J	T1 and P1 - 4 pt, 2 pump stations max, motor mount base
B	T2 - 6 pt, 3 pump stations max	K	T2 and P2 - 6 pt, 3 pump stations max, motor mount base
C	T3 - 8 pt, 5 pump stations max	L	T3 and P3 - 8 pt, 5 pump stations max, motor mount base
D	T4 - 12 pt, 8 pump stations max	M	T4 and P4 - 12 pt, 8 pump stations max, motor mount base
E	T5 - 16 pt, 12 pump stations max	N	T5 and P5 - 16 pt, 12 pump stations max, motor mount base
F	T6 - 24 pt, 16 pump stations max	P	T6 and P6 - 24 pt, 16 pump stations max, motor mount base*
G	T7 - 32 pt, 20 pump stations max	R	T7 and P7 - 32 pt, 20 pump stations max, motor mount base*
H	T8 - 40 pt, 24 pump stations max	S	T8 and P8 - 40 pt, 24 pump stations max, motor mount base*

*Cannot use double reduction or right angle drives

Pump Size – GBL 7500 Suction Pumps

Code	Former Code and Description
0	No Pump
1	GBL 7500 3/16 Suction
2	GBL 7500 1/4 Suction
3	GBL 7500 3/8 Suction
4	GBL 7500 3/16 and F3, RENS Level Controller - 556808
5	GBL 7500 1/4 and F3, RENS Level Controller
6	GBL 7500 3/8 and F3, RENS Level Controller
7	GBL 7500 3/16 and F4, GARZA Level Controller (Class 1 Group D) - 558221
8	GBL 7500 1/4 and F4, GARZA Level Controller (Class 1 Group D)
9	GBL 7500 3/8 and F4, GARZA Level Controller (Class 1 Group D)

Pump Quantity

Code	Qty	Code	Qty	Code	Qty	Code	Qty	Code	Qty	Code	Qty
A	0	E	4	J	8	N	12	T	16	X	20
B	1	F	5	K	9	P	13	U	17	Y	21
C	2	G	6	L	10	R	14	V	18	Z	22
D	3	H	7	M	11	S	15	W	19		

\$ - Multiply the number of pumps by the pump price and add level control price adder. All unused pump stations are covered with a removable blanking plate

Drive Options

Code	Former Code and Description	Code	Former Code and Description	Code	Former Code and Description
A	G01R - Direct End Rotary	J	G05R - Double Reduction End Rotary 25:1	T	G13R - RT Angle Rotary 375:1
B	G02R - End Ratchet (w/out drive arm) - 800 rpm max input	K	G06R - Double Reduction End Rotary 50:1	U	G14R - 100:1 Ratio Gear Reducer
C	G03R - End Rotary Ratchet 37.5:1 - 800 rpm max input	L	G07R - Double Reduction End Rotary 100:1	V	G15R - 150:1 Ratio Gear Reducer
D	G04R - End Rotary Ratchet 75:1 - 800 rpm max input	M	G08R - Double Reduction End Rotary 200:1	W	G16R - 200:1 Ratio Gear Reducer
E	G01L - Direct End Rotary	N	G09R - Double Reduction End Rotary 400:1	X	G17R - 300:1 Ratio Gear Reducer
F	G02L - End Ratchet (w/out drive arm) - 800 rpm max input	P	G10R - RT Angle Rotary 25:1	Y	G18R - 400:1 Ratio Gear Reducer
G	G03L - End Rotary Ratchet 37.5:1 - 800 rpm max input	R	G11R - RT Angle Rotary 50:1	Z	G12L - Left Angel Rotary 188:1
H	G04L - End Rotary Ratchet 75:1 - 800 rpm max input	S	G12R - RT Angle Rotary 188:1		

Compressor Lubrication

Manzel® MB Specialty Box Lubricators

Features and Benefits

- Provide a proven, cost-effective way to assemble customized oil systems that meet specific requirements by using standard modular components
- Increase opportunities to standardize lube system components and reduce lube maintenance and service costs
- 60:1 – 2 or 4 pump stations max, use with GBL 7500 Gravity-Fed or Pressure-Fed Box Lubricator
- 118:1 – 4 or 6 pump stations max, use with any GBL 7500 pump

Typical Applications

- MB60 is perfect for bolt-on gas compressor box lubrication solutions
- MB118 is the right size and durable for triplex and quintuplex mud pump applications

Typical Fluids Handled

- Mineral oil base or synthetics

Ordering Information

Manzel® MB Specialty Box Lubricators		
MB60	24V068	2 pint reservoir (2 pump stations max), no pumps installed, 60:1
	24U750	6 pint reservoir (4 pump stations max), no pumps installed, 60:1
MB118	24W633	4 pint reservoir (4 pump stations max), no pumps installed, 118:1
	24W634	8 pint reservoir (6 pump stations max), no pumps installed, 118:1
	24W636	4 pint reservoir (4 pump stations max), 1/4 inch GBL 7500 pump (qty 3), 118:1
	24W635	8 pint reservoir (6 pump stations max), 1/4 inch GBL 7500 pump (qty 5), 118:1



Compressor Lubrication

Manzel® GBL 7500 Pump

Features and Benefits

Each GBL 7500 single-piston pump is mechanically driven from a camshaft in the reservoir. They are adjustable from 1 to 27 drops per stroke and develop pressures up to 7500 psi (517 bar), depending on the piston size. All working parts are totally enclosed away from dirt, water, and impurities and are self-lubricated at all times by the fluid in the reservoir. Rugged construction for high performance and durability with easy to adjust pump output.

Typical Applications

- Compressors

Typical Fluids Handled

- Mineral or synthetics oil

Technical Specifications

Piston Size		Max Outlet Pressure			Drops/Stroke		Cubic Inch/Stroke		Cubic cm/Stroke		Strokes/minute	
inches	mm	PSI	MPa	bar	Min.	Max.	Min.	Max.	Min.	Max.	Min.	Max.
3/16	4.8	7500	51.7	517	0	7	0	0.014	0	0.229	3	50
1/4	6.4	6000	41.4	414	0	12	0	0.024	0	0.393	3	50
3/8	9.5	3500	24.1	241	0	27	0	0.054	0	0.885	3	50

Ordering Information

GBL 7500	
24J391	3/16 inch (4.8 mm) suction
24J392	1/4 inch (6.4 mm) suction
24J393	3/8 inch (9.5 mm) suction
24J394	3/16 inch (4.8 mm) gravity
24J395	1/4 inch (6.4 mm) gravity
24J396	3/8 inch (9.5 mm) gravity
24J397	3/16 inch (4.8 mm) pressure
24J398	1/4 inch (6.4 mm) pressure
24J399	3/8 inch (9.5 mm) pressure
24K466	Suction alarm pump



Suction
24J391



Gravity
24J394



Pressure
24J397



Alarm
24K466

Compressor Lubrication

Manzel® DSL Lubricators and Pumps

Features and Benefits

- Rugged construction for high performance and durability
- Complete assembly—includes level sight gauge, fill cup and drain plug
- Precise camshaft alignment insures proper lubrication by all pumps
- Can be used in outdoor and ammonia (sour gas) environment
- Easy serviceability-pumps can be added or replaced quickly
- Pump output is easily adjustable



Typical Applications

- Compressors and industrial equipment

Typical Fluids Handled

- Mineral or synthetic oil

Technical Specifications

Ordering Code	Piston Size (inches)	Max. Pressure psi	Drops Per Stroke		Cubic Inches Per Stroke		Cubic cm Per Stroke		Strokes Per Minute	
			Min.	Max.	Min.	Max.	Min.	Max.	Min.	Max.
D1	9/32	3,000	2.0	6.25	.0048	0.15	.079	.245	3	25
D2	9/32	3,000	2.0	6.25	.0048	0.15	.079	.245	3	25



Ordering Information

256907	(D1) 9/32 vacuum inlet pump
256908	(D2) 9/32 pressurized inlet pump
256929	Vacuum inlet pump w/suction tube length reduced by 1 in
24A453	3 station, 4 pt, 283:1 - right drive
24A454	9 station, 12 pt, 283:1 - right drive
24A455	3 station, 4 pt, 1:1 - left drive
24A456	3 station, 4 pt, 1:1 - right drive
24A457	6 station, 8 pt, 1:1 - left drive
24A458	6 station, 8 pt, 1:1 - right drive
24A459	9 station, 12 pt, 1:1 - left drive
24A460	9 station, 12 pt, 1:1 - right drive
24A461	3 station, 4 pt, 37.5:1 - left drive
24A462	3 station, 4 pt, 37.5:1 - right drive
24A463	3 station, 4 pt, 75:1 - left drive
24A464	3 station, 4 pt, 75:1 - right drive
24A465	6 station, 8 pt, 37.5:1 - left drive
24A466	6 station, 8 pt, 37.5:1 - right drive
24A467	6 station, 8 pt, 75:1 - left drive
24A468	6 station, 8 pt, 75:1 - right drive
24A469	9 station, 12 pt, 37.5:1 - left drive
24A470	9 station, 12 pt, 37.5:1 - right drive
24A471	9 station, 12 pt, 75:1 - left drive
24A472	9 station, 12 pt, 75:1 - right drive

24A473	12 station, 16 pt, 37.5:1 - left drive
24A474	12 station, 16 pt, 37.5:1 - right drive
24A475	12 station, 16 pt, 75:1 - left drive
24A476	12 station, 16 pt, 75:1 - right drive
24A477	3 station, 4 pt, 40:1 - left front drive
24A478	3 station, 4 pt, 40:1 - right front drive
24A479	3 station, 4 pt, 60:1 - left front drive
24A480	3 station, 4 pt, 60:1 - right front drive
24A481	3 station, 4 pt, 40:1 - left rear drive
24A482	3 station, 4 pt, 40:1 - right rear drive
24A483	3 station, 4 pt, 60:1 - left rear drive
24A484	3 station, 4 pt, 60:1 - right rear drive
24A485	6 station, 8 pt, 40:1 - left front drive
24A486	6 station, 8 pt, 40:1 - right front drive
24A487	6 station, 8 pt, 60:1 - left front drive
24A488	6 station, 8 pt, 60:1 - right front drive
24A489	6 station, 8 pt, 40:1 - left rear drive
24A490	6 station, 8 pt, 40:1 - right rear drive
24A491	6 station, 8 pt, 60:1 - left rear drive
24A492	6 station, 8 pt, 60:1 - right rear drive
24A493	9 station, 12 pt, 40:1 - left front drive
24A494	9 station, 12 pt, 40:1 - right front drive
24A495	9 station, 12 pt, 60:1 - left front drive

Compressor Lubrication

Manzel® DSL Lubricators and Pumps

Ordering Information

24A496	9 station, 12 pt, 60:1 - right front drive
24A497	9 station, 12 pt, 40:1 - left rear drive
24A498	9 station, 12 pt, 40:1 - right rear drive
24A499	9 station, 12 pt, 60:1 - left rear drive
24A501	9 station, 12 pt, 60:1 - right rear drive
24A502	15 station, 20 pt, 60:1 - left front drive
24A503	15 station, 20 pt, 60:1 - right front drive
24A504	15 station, 20 pt, 60:1 - left rear drive
24A505	15 station, 20 pt, 60:1 - right rear drive
24A506	3 station, 4 pt, 1:1 - right bottom drive
24A507	3 station, 4 pt, 2.5:1 - right bottom drive
24A508	6 station, 8 pt, 1:1 - right bottom drive
24A509	6 station, 8 pt, 2.5:1 - right bottom drive
562547	DSL 4 pt Bot Rot 2.5 3FD
562548	DSL 8 pt Bot Rot 2.5 4FD
562549	DSL 4 pt LH Rear Rot 60 1FD
562550	DSL 4 pt LH Rear Rot 60 2FD
562551	DSL 4 pt LH Rear Rot 60 3FD
562552	DSL 8 pt LH Rear Rot 60 0FD
562553	DSL 12 pt LH Rear Rot 60 7FD
562554	DSL 4 pt LH Rot 37.5 3FD
562555	DSL 4 pt LH Rot 37.5 6FD
562561	DSL 8 pt LH Rot 75 5FD
562562	DSL 16 pt LH Rot DL CAM 10FD
562563	DSL 20 pt LH Rear Rot 60 10FD
562564	DSL 4 pt Bot Rot 2.5 3FD
562565	DSL 8 pt Bot 060371 2.5 4FD
562566	DSL 8 pt RH Rear Rot 40 6FD
562567	DSL 8 pt RH Front Rot 40 5FD
564210	DSL 4 pt LH Rot 75 3FD
564211	DSL 4 pt Bot Rot 2.5 2FD
564212	DSL-R6-D1-04-BS2-L
564213	DSL 4 pt RH Rear Rot 60
564214	DSL 8 pt 4FD RH Rot 37.5:1
564219	DSL 12 pt RH RR Recip 60
564222	DSL 8 pt LH Rear Rot 60
564223	DSL-R9-D1-5-ER4-L-P9
564225	DSL 12 pt LH Rear Rot 7FD
564226	DSL SST, 60:1 LH SPEC
564227	DSL-R6-D1-06-ER3-R-P06-M1
564229	DSL-R3-D1-2-SF0-ER4-L-P3

Compressor Lubrication

Model HP-15™ High Pressure Lubricators

Features and Benefits

The high pressure lubricator comprises one to six integral sight and pump assemblies in a cast iron reservoir. The unit is designed for direct connection to an electric motor/speed reducer power source. A Manzel® terminal check valve is recommended in the lubrication system. When required to maintain proper oil viscosity, the reservoir can be fitted with an electric heater.

Typical Applications

- Multi-stage gas compression

Typical Fluids Handled

- Mineral or synthetic oil

Technical Specifications

Number of Feeds	Max. Pressure	Reservoir Capacity (Quarts) (1)	Plunger Diameter (inches)	Drops Per Stroke		Cubic Inches Per Stroke		Cubic cm Per Stroke		Strokes Per Minute	
				Min.	Max.	Min.	Max.	Min.	Max.	Min.	Max.
1-6	18,000	7	1/4	1	4	0.002	0.008	0.033	0.113	3	36



562951

Ordering Information

562918	HP-15 6 feed gear box without pumps
562919	HP-15 6 feed gear box with 6 HP-15 pumps
564272	HP-15 6 feed gear box with 6 HP-15 pumps and heater
562951	HP-15 pump
556700	HP-15 sight glass
563113	HP-15 plunger and cylinder assembly
564334	In-line check valve

Compressor Lubrication

Manzel® HP-50™ High Pressure Lubricators

Features and Benefits

- Operating pressures to 60,000 psi for lubricating compressor and circulator cylinder walls, heavily loaded bearings and other moving parts
- Single plunger force feed design is highly efficient for injecting lubricants and/or compatible fluids into high pressure systems
- Vacuum sight feeds on self-contained pumping units show output of lubricant to individual lubrication points
- All working parts are totally enclosed and self-lubricated
- Individual pumping units easily removed for service
- Feed rate infinitely variable from minimum to maximum with simple hand adjustment



Typical Applications

- Compressors and industrial equipment

Typical Fluids Handled

- Mineral or synthetic oil

Technical Specifications

Number of Feeds	Max. Pressure	Reservoir Capacity (Quarts) (1)	Plunger Diameter (inches)	Drops Per Stroke		Cubic Inches Per Stroke		Cubic cm Per Stroke		Strokes Per Minute	
				Min.	Max.	Min.	Max.	Min.	Max.	Min.	Max.
1-4	60,000	9	1/4	1	4	0.002	0.008	0.033	0.113	3	36

Ordering Information

HP-50 Pump	
562952	HP-50 Pump Assembly
HP-50 Lubricator Boxes	
564276	HP-50 Lubricator without Pumps or Options
562925	HP-50 Lubricator with 4 Pumps
562926	HP-50 Lubricator with 2 Pumps
562927	HP-50 Lubricator with 4 Pumps, Provision for Flange Mounted Auto Fill, and Nitrogen Purge Port
562928	HP-50 Lubricator with 4 Pumps, Low Level and Shaft Rotation Alarm
562929	HP-50 Lubricator with 4 Pumps, Provisions for Flange Mounted Auto Fill and Low Level in Fill Plate
564277	HP-50 Lubricator with 4 Pumps and Steam Heater
564278	HP-50 Lubricator with 3 Pumps and Steam Heater
564279	HP-50 Lubricator with 4 Pumps, Provision for Flange Mounted Auto Fill, Nitrogen Purge and Shaft Rotation/Low Level Alarm on Left

564280	HP-50 Lubricator with 4 Pumps, Provision for Flange Mounted Auto Fill, Nitrogen Purge and Shaft Rotation/Low Level Alarm on Right
564282	HP-50 Lubricator with 4 Pumps, Shaft Rotation and Low Level Alarm
564283	HP-50 Lubricator with 4 Lubricator Boxes with 15 Pumps, Provision for Center Mounted Motor and Base
258262	HP-50 Lubricator with 4 Pumps and Low Level
258263	HP-50 Lubricator with 4 Pumps, Provisions for Flange Mounted Auto Fill and Low Level in Fill Plate, and Proximity Switch Shaft Rotation Indicator on Right
HP-50 Accessories	
563111	HP-50 plunger and cylinder
564336	HP-50 check valve
558881	Electric heater, 120/240 VAC
563020	Shaft rotation alarm
563024	Low level

Compressor Lubrication

Manzel® MVB Pump

Features and Benefits

The MVB lubrication system is a single line, series progressive system which divides pump output into predetermined proportional amounts and distributes these amounts to points of lubrication.

- One main supply from single pump
- Central monitoring of normal operation
- Automatic proportioning of lubricant through positive displacement valves
- Quick indication of problem areas

Typical Applications

- Compressors and reciprocating engines

Typical Fluids Handled

- Oil

Technical Specifications

Single Camshaft rpm (pump strokes per min..)	1/4 piston				3/8 piston			
	Min. Output Adj.		Max. Output Adj.		Min. Output Adj.		Max. Output Adj.	
	0.12456*(constant)		0.59832		0.29909*(constant)		1.4902	
20	2.49	(1.18)	11.97	(5.66)	5.98	(2.83)	29.92	(14.15)
30	3.74	(1.77)	17.95	(8.49)	8.97	(4.24)	44.88	(21.23)
40	4.98	(2.36)	23.93	(11.32)	11.96	(5.66)	59.84	(28.30)
50	6.23	(2.95)	29.92	(14.15)	14.95	(7.07)	74.80	(35.38)
60	7.47	(3.53)	35.90	(16.98)	17.95	(8.49)	89.76	(42.46)
70	8.72	(4.12)	41.88	(19.81)	20.94	(9.90)	104.72	(49.53)

Ordering Information

563565	MVB 0.250 inch (6.35 mm) Piston Pump
563566	MVB 0.375 inch (9.53 mm) Piston Pump
563920	Seal kit for MVB pump
563919	3/8 inch piston and sleeve replacement
563918	1/4 inch piston and sleeve replacement
557824	25 micron filter
557827	10 micron filter



563565



MVB Box lubricator

Compressor Lubrication

Manzel® MVB Box Lubricator Configurator

Ordering Menu Code

MV - X - X - X - X

Drive

Code	(Former Code) – Description
A	(DAA) Ratchet Drive (102-2)
B	(DAB) Standard Drive (203-2)
C	(DAC) Standard Drive (207-2)
D	(DAD) Reverse Drive (303-2)
E	(DAE) 90-Degree Drive (401-2)
F	(DAF) Vertical Drive (501-2)
G	(NA) Tandem Drive

Gear Box Ratio and Mounting Base Option

Code	(Former Code) – Description	Code	(Former Code) – Description	Code	(Former Code) – Description
A	(RAA) 1:1 Ratio Gear Box	J	(RAE) 3:1 Ratio Gear Box	S	(RAH) 1:8 Ratio Gear Box
B	(NA) 1:1 Ratio Gear Box with a 10:1 Base	K	(NA) 3:1 Ratio Gear Box with a 10:1 Base	T	(RAJ) 8:1 Ratio Gear Box
C	(NA) 1:1 Ratio Gear Box with a 60:1 Base	L	(NA) 3:1 Ratio Gear Box with a 60:1 Base	U	(NA) 8:1 Ratio Gear Box with a KOA Base
D	(RAB) 1:2 Ratio Gear Box	M	(RAF) 1:4 Ratio Gear Box	V	(NA) 8:1 Ratio Gear Box with a 10:1 Base
E	(RAC) 2:1 Ratio Gear Box	N	(RAG) 4:1 Ratio Gear Box	W	(RAK) 16:1 Ratio Gear Box
F	(NA) 2:1 Ratio Gear Box with a 10:1 Base	P	(NA) 4:1 Ratio Gear Box with a 10:1 Base	X	(NA) 16:1 Ratio Gear Box with a KOA Base
G	(NA) 2:1 Ratio Gear Box with a 60:1 Base	R	(NA) 4:1 Ratio Gear Box with a 60:1 Base	Y	(NA) 16:1 Ratio Gear Box with a 10:1 Base
H	(RAD) 1:3 Ratio Gear Box				

Pump Station One Configuration*

Code	Cam Style	Pump Size	Gauge PSI	Relief PSI	Code	Cam Style	Pump Size	Gauge PSI	Relief PSI
A	Single Lobe	No Pump	None	None	K	Double Lobe	1/4"	10,000	4,600
B	Single Lobe	1/4"	None	6,400	L	Double Lobe	3/8"	None	1,750
C	Single Lobe	1/4"	3,000	2,350	M	Double Lobe	3/8"	3,000	1,750
D	Single Lobe	1/4"	10,000	6,400	N	Triple Lobe	No Pump	None	None
E	Single Lobe	3/8"	None	2,350	P	Triple Lobe	1/4"	None	3,700
F	Single Lobe	3/8"	3,000	2,350	R	Triple Lobe	1/4"	3,000	2,350
G	Double Lobe	No Pump	None	None	S	Triple Lobe	1/4"	10,000	3,700
H	Double Lobe	1/4"	None	4,600	T	Triple Lobe	3/8"	None	1,450
J	Double Lobe	1/4"	3,000	2,350	U	Triple Lobe	3/8"	3,000	1,450

*Former codes AOA and AOC referred to 1/4" pump. Former codes AOB and AOD referred to 3/8" pump. Former code POA referred to standard (2,350 psi) blowout indicator. Former codes GOA, GOB, GOC, and GOD referred to gauge options; choose from standard gauge options shown above.

Pump Station Two Configuration**

Code	Cam Style	Pump Size	Gauge PSI	Relief PSI	Code	Cam Style	Pump Size	Gauge PSI	Relief PSI
A	Single Lobe	No Pump	None	None	K	Double Lobe	1/4"	10,000	4,600
B	Single Lobe	1/4"	None	6,400	L	Double Lobe	3/8"	None	1,750
C	Single Lobe	1/4"	3,000	2,350	M	Double Lobe	3/8"	3,000	1,750
D	Single Lobe	1/4"	10,000	6,400	N	Triple Lobe	No Pump	None	None
E	Single Lobe	3/8"	None	2,350	P	Triple Lobe	1/4"	None	3,700
F	Single Lobe	3/8"	3,000	2,350	R	Triple Lobe	1/4"	3,000	2,350
G	Double Lobe	No Pump	None	None	S	Triple Lobe	1/4"	10,000	3,700
H	Double Lobe	1/4"	None	4,600	T	Triple Lobe	3/8"	None	1,450
J	Double Lobe	1/4"	3,000	2,350	U	Triple Lobe	3/8"	3,000	1,450

**Former codes BOA and BOC referred to 1/4" pump. Former codes BOB and BOD referred to 3/8" pump. Former code HOA referred to standard (2,350 psi) blowout indicator. Former codes JOA, JOB, JOC, and JOD referred to gauge options; choose from standard gauge options shown above.

NOTE: Motors for KOA base with 8:1 or 16:1 drives:

558289 (MOA) - 1/4 HP, 115/230 VAC, 60 Hz, single-phase, 1,725 rpm, TENV, 56F
 558290 (MOB) - 1/4 HP, 230/460 VAC, 60 Hz, three-phase, 1,725 rpm, TENV, 56F

Motors for 10:1 or 60:1 drives:

557271 - 1/2 HP, 115/230 VAC, 60 Hz, single-phase, 1,725 rpm, TEFC, 56C
 557270 - 1/2 HP, 230/460 VAC, 60 Hz, three-phase, 1,725 rpm, TENV, 56C

Compressor Lubrication Accessories

Manzel® Lube-Line Alert™

Features and Benefits

- Indicates Flow or No-Flow at any point in the system ahead of the Lube-Line Alert inlet. Not affected by discharge pressure.
- Operates under continuous or intermittent low-flow rates
- Universal use—operates in any air free force feed lubrication system—any make lubricator
- Sensitive to a wide range of flow from .006 cubic inches to 190 cubic inches per minute
- Many type lubricants and viscosities—mineral or synthetic
- Time delay adjustment to compensate for viscosity and/or flow rate. Quick and easy to adjust.
- Explosion-proof—UL and CSA Listed for Class I Groups C and D and Class II Groups E, F and G. Division 1 and 2 when installed as per NEC 501.
- For connection to any electrical warning system—lights, sound devices, machinery shut-off relays, telephones, etc.
- A low-level and shaft rotation



563030

Technical Specifications

UL and CSA Electrical Ratings.....	Single pole, Throw magnetically operated switch, 115 VAC, 60Hz, 10 watt, 28 VDC, 0.5 amp Resistive, 28 VDC, 0.5 amp Inductive
Max Switch Rating	350 VAC/VDC, 50 watt, 2 amp
Max Operating Pressure	10,000 psi
Min. Pressure Drop Access Alert.....	150 psi
Flow Rate0006 cu.in. to 190 cu.in. per minute @ 100 SUS 0.006 cu.in. to 75 cu.in. per minute @ 2000 SUS
Fluid Viscosity.....	100 to 9000 SUS
Weight	0.6 lbs

Ordering Information

Lube-Line Alert	
563030	N.C. Configuration w/Check Valves for 1/4 inch O.D. Tube, Standard Spring (installed), w/ Light Spring (loose)*
563033	N.O. Configuration w/Check Valves for 1/4 inch O.D. Tube, Standard Spring (installed), w/ Light Spring (loose)*
563032	N.O. Configuration w/Check Valves and Fittings for 1/8 inch NPTF Connections, Standard Spring (installed)
Inlet Check Valves	
563042	w/ 1/4 inch O.D. Tube Inlet (supplied w/1 and 2)
563041	w/ 7/16-20 Straight Female Thread Outlet (supplied w/3)
Outlet Check Valves	
563044	w/ 1/4 inch O.D. Tube Inlet (supplied w/1 and 2)
563043	w/ 7/16-20 Straight Female Thread Outlet (supplied w/3)
Fittings	
556624	(w/Check Valves 4 and 5), 7/16-20 Straight Male Thread x 1/8 inch NPTF (2 supplied w/3)
Springs	
556944	Standard Springs (installed at factory in 1 and 3)
556939	Light Spring for Low Flow Applicator (supplied loose w/1, installed in 2)*
Repair Parts	
556812	Switch Assembly
563031	Plunger and Bushing Assembly

*When using the Light Spring 556939 (458-005-220), fluid viscosity should not exceed 350 SUS

Compressor Lubrication Accessories

Pneumatic/Electric Lube Sentry Valve

Features and Benefits

The Lube Sentry Valve provides automatic warning and shutdown of compressors, pumps and engines when oil is not flowing properly to primary dividers in series type lube systems.

- Absence of check valves to avoid trapping contamination from included solids in the lubricant
- Bolted-together components simplifying maintenance. The microswitch assembly on the pneumatic valve can be removed without disturbing existing lines or shutting down the equipment being lubricated.

Technical Specifications

Material.....	Steel
Max Pressure	6,000 psi (414 bar)
Flow Rate (per day)	4-400 pints (1.89-189.2 liters)
Pressure Drop.....	250 psi (17 bar)
Seals.....	Fluoroelastomer
Lubricant.....	Oil (450-2000 SUS)
Net Weight	0.5 lb (2.265 kg)
Operating Temperature	-20° F to 180° F (-29° C to 82° C)
Air Pressure (Max Pneumatic Valve)	125 psi (9 bar)
Electrical Rating	5 amps @ 125/250 VAC
	A, B or C @ 28 VDC, A- Inductive - 3 amp, B- Resistive - 5 amp, C- Max Inrush - 15 amp



563506

Ordering Information

563506	Pneumatic Lube Sentry, Complete
563503	Pneumatic Valve
563502	Actuator
563505	Electric Lube Sentry, Complete
563504	Switch Assembly

Compressor Lubrication Accessories

Balancing Valve

Features and Benefits

The Graco® Balancing Valve assists divider valves to accurately proportion lubricant at high differential pressures. It is recommended for use when a pressure difference greater than 1,000 PSI exists between two or more of the points in a Graco divider valve system.

- Balancing valve is not affected by downstream pressure, assures accurate flow to all lubrication points
- Balancing valve is field adjustable. Reduces on-site inventory costs as one model meets all your system needs.
- Balancing valve is in-line mounted, so it lowers installation costs
- Balancing valve uses a wear-resistant tungsten-carbide ball to reduce maintenance costs



Technical Specifications

Material Steel
 Max Operating Pressure 6,500 psi
 Adjustable From 1,000 to 6,500 psi (Factory set at 3,000 psi)
 Operating Temperature -10° F to 250° F (-23° C to 121° C)
 Lubricant Oil
 Seals Fluoroelastomer
 Net Weight 1.19 lb (0.54 kg)

Ordering Information

563230	Balancing Valve
563911	Valve Seal Kit

Index

Part No.	Page No.	Part No.	Page No.	Part No.	Page No.	Part No.	Page No.
15K740	50, 89, 91	16A171	91	24A475	124	24B667	52
15K783	50, 89, 91	16A172	91	24A476	124	24B677	51, 52, 54
15K784	89	16P368	66	24A477	124	24E240	52
15M037	89	16T671	94	24A478	124	24E241	52
15M038	49	16T854	14	24A479	124	24E242	52
15M045	89, 91	16V778	57	24A480	124	24E243	52
15M442	106	16V779	57	24A481	124	24E244	52
15R993	72	16V780	57	24A482	124	24E245	52
15R994	72	16V782	57	24A483	124	24E389	52
15U854	77	16V784	57	24A484	124	24E390	52
15U855	77	16V785	57	24A485	124	24E391	52
15U856	77	17B168	52, 54	24A486	124	24E392	52
15U857	74	17B169	52, 54	24A487	124	24E393	52
15U858	25	17B780	52, 54	24A488	124	24E394	52
15U859	25	17B781	52, 54	24A489	124	24F201	52, 54
15U860	25	17B782	52, 54	24A490	124	24F467	57
15X624	46	17B783	52, 54	24A491	124	24F513	52, 54
15X625	47	17B785	52, 54	24A492	124	24F514	52, 54
15X626	47	17B879	52, 54	24A493	124	24F555	52, 54
15X667	46	17B880	52, 54	24A494	124	24F556	52, 54
15X668	46	17C750	29	24A495	124	24F596	68
15X669	46	17C751	29	24A496	125	24F597	68
15X670	46	17C752	29	24A497	125	24F598	68
15X671	46	17C753	29	24A498	125	24F599	68
15X672	46	17D023	92	24A499	125	24F600	68
15X673	46	17D024	92	24A501	125	24F601	68
15X674	46	17D401	55	24A502	125	24F943	52, 54
15X675	47	17D402	55	24A503	125	24F944	52, 54
15X676	47	17D403	55	24A504	125	24G485	61
15X677	47	17D404	55	24A505	125	24G486	61
15X678	47	17D405	55	24A506	125	24G487	61
15X679	47	17D906	55	24A507	125	24G488	61
15X680	47	17J939	14	24A509	125	24G489	61
15X681	47	17K063	93	24A918	56, 106	24G490	61
15X682	47	18C750	29	24A919	51, 52	24J331	57
15X683	46	18C751	29	24A920	51, 52	24J332	57
15X684	46	18C752	29	24A921	51	24J333	57
15X685	46	18C753	29	24A922	51	24J334	57
15X686	46	19C752	29	24A923	51	24J335	57
15X687	46	20C752	29	24A924	51	24J336	57
15X688	46	24A453	124	24B219	77	24J391	123
15X689	46	24A454	124	24B237	75	24J392	123
15X690	46	24A455	124	24B239	75	24J393	123
15X691	47	24A456	124	24B240	75	24J394	123
15X692	47	24A457	124	24B241	75	24J395	123
15X693	47	24A458	124	24B359	56	24J396	123
15X694	47	24A459	124	24B360	51, 52, 54	24J397	123
15X695	47	24A460	124	24B427	15, 24	24J398	123
15X696	47	24A461	124	24B474	65	24J399	123
15X697	47	24A462	124	24B475	65	24K414	14, 86
15X698	47	24A463	124	24B476	65	24K415	14, 79, 85
15X699	47	24A464	124	24B477	65	24K466	123
15X700	47	24A465	124	24B478	65	24K466	123
15X701	47	24A466	124	24B479	65	24M466	14, 107
15X702	47	24A467	124	24B480	65	24M480	15
15X703	47	24A468	124	24B481	65	24M644	92
15X704	47	24A469	124	24B482	65	24N007	57
15X705	47	24A470	124	24B483	65	24N008	57
15X706	47	24A471	124	24B495	66	24N009	57
15Y069	66	24A472	124	24B496	66	24N180	86, 111
15Y070	66	24A473	124	24B591	95, 106	24N181	86, 111
16A169	91	24A474	124	24B596	95	24N182	15

Index

Part No.	Page No.	Part No.	Page No.	Part No.	Page No.	Part No.	Page No.
24N351	15	24W407	53	24X030	67	94G002	9
24N373	66	24W408	53	24X153	55	94G003	9
24N382	66	24W483	53	24X302	53	94G004	9
24N402	15	24W484	53	24X303	53	94G005	9
24N405	23	24W485	54	24X401	55	94G006	8
24N406	23	24W486	54	24X402	55	94G007	8
24N407	23	24W487	53	24X403	55	94G008	8
24N408	23	24W488	53	24X404	55	94G009	8
24N409	23	24W489	54	24X405	55	94G010	8
24N468	94	24W490	54	24X406	55	94G011	8
24N815	108	24W491	54	24X694	29	94G012	9
24N915	61	24W492	54	24X717	29	94G013	9
24N916	61	24W493	54	24Y079	29	94G014	9
24N917	61	24W494	54	24Y080	29	94G015	9
24N918	61	24W495	52, 54	24Y081	29	94G016	9
24N919	61	24W501	53	24Y082	29	94G017	9
24N920	61	24W502	53	24Y407	106	94G018	8
24N945	66	24W503	53	24Y408	106	94G019	8
24N948	66	24W504	53	24Y498	29	94G020	8
24N949	66	24W505	53	24Y499	29	94G021	8
24N951	66	24W506	53	26G204	11	94G022	8
24N952	66	24W507	53	26G205	11	94G023	8
24P295	14	24W601	54	77X000	111	94G024	9
24P296	14	24W602	54	77X001	109, 111	94G025	9
24P314	94	24W603	54	77X002	111	94G026	9
24P686	94	24W604	54	77X003	111	94G027	9
24P687	94	24W605	54	77X011	111	94G028	9
24P731	14	24W606	54	77X012	111	94G029	9
24P976	79	24W607	54	77X013	111	94G030	9
24P977	79	24W633	122	77X014	111	94G031	9
24P978	79	24W634	122	77X015	111	94G032	9
24R377	108	24W635	122	77X016	111	94G033	9
24R378	108	24W636	122	77X100	111	94G034	9
24R379	108	24W701	54	77X101	111	94G035	9
24R631	66	24W702	54	77X102	110, 111	94G036	8
24R632	66	24W703	54	77X103	111	94G037	8
24R633	66	24W704	54	77X104	111	94G038	8
24T178	15	24W705	54	77X105	111	94G039	8
24T296	79	24W706	54	77X111	111	94G040	8
24U750	122	24W707	54	77X112	111	94G041	8
24V068	122	24W801	54	77X121	111	94G042	8
24V204	77	24W802	54	77X122	111	94G043	8
24V531	77	24W803	54	77X500	111	94G044	8
24V659	107	24W804	54	77X510	111	94G045	8
24V660	107	24W805	54	77X511	111	94G046	8
24V661	107	24W806	54	77X512	111	94G047	8
24V662	107	24W807	54	77X513	111	94G048	9
24V663	107	24W808	54	77X514	111	94G049	9
24V664	107	24W901	54	77X515	111	94G050	9
24V680	107	24W902	54	77X521	111	94G051	9
24V681	107	24W903	54	77X522	111	94G052	9
24V682	107	24W904	54	77X523	111	94G053	9
24V683	107	24W905	54	77X524	111	94G054	9
24V684	107	24W906	54	77X540	111	94G055	9
24V685	107	24W907	54	77X541	111	94G056	9
24V837	14	24W913	52, 54	77X542	111	94G057	9
24W401	53	24W914	52, 54	77X543	111	94G058	9
24W402	53	24W915	52, 54	77X544	111	94G059	9
24W403	53	24W981	94	77X545	111	94G060	9
24W404	53	24X027	67	77X546	111	94G061	9
24W405	53	24X028	67	94G000	9	94G062	9
24W406	53	24X029	67	94G001	9	94G063	8

Index

Part No.	Page No.	Part No.	Page No.	Part No.	Page No.	Part No.	Page No.
94G064	8	96G057	11	96G140	11	114904	55, 106
94G065	8	96G058	11	96G141	12	114905	55, 106
94G066	8	96G059	11	96G142	12	114909	55, 106
94G067	8	96G060	11	96G143	12	114911	55
94G068	8	96G061	11	96G144	12	114912	55
94G069	8	96G062	11	96G145	12	114913	55
94G070	8	96G068	11	96G146	12	114914	55
94G071	8	96G069	11	96G147	11	114915	55
94G072	8	96G070	11	96G148	11	114916	55, 56
94G073	8	96G071	11	96G149	11	115119	55
94G074	8	96G072	11	96G150	11	115120	55
94G075	8	96G073	11	96G151	12	115122	14, 81
94G076	8	96G075	11	96G152	12	115124	86, 106, 111
94G077	8	96G076	11	96G153	13	117206	55
96G000	11	96G077	11	96G154	13	118206	55
96G001	11	96G078	11	96G155	12	121474	14
96G002	11	96G079	11	96G156	12	121654	46
96G003	11	96G080	11	96G157	13	121655	46
96G005	11	96G081	11	96G158	13	121656	46
96G006	11	96G082	11	96G159	12	121657	46
96G007	11	96G088	12	96G160	12	121658	47
96G008	11	96G089	12	96G161	13	121659	47
96G011	11	96G090	12	96G162	13	121660	47
96G012	11	96G092	12	96G163	11	121661	47
96G013	11	96G093	12	96G164	12	121662	47
96G014	11	96G094	12	96G165	13	121663	47
96G017	12	96G096	12	96G166	12	121664	47
96G018	12	96G097	12	96G167	11	121665	47
96G019	12	96G098	13	96G168	12	121666	47
96G020	12	96G099	13	96G169	13	121667	47
96G021	12	96G100	13	96G171	11	121668	47
96G023	12	96G103	12	96G172	11	121669	47
96G024	12	96G104	12	96G174	13	121670	47
96G025	12	96G105	12	96G175	13	121671	47
96G026	12	96G106	12	96G176	13	121672	47
96G027	11	96G107	12	96G178	12	122276	58, 64, 68
96G028	11	96G108	12	96G182	11	122545	25
96G029	11	96G109	12	96G183	12	122546	25
96G030	12	96G110	13	96G184	11	122547	25
96G031	12	96G111	13	96G186	13	122548	25
96G032	12	96G112	13	96G187	11	122549	25
96G033	11	96G113	12	96G188	13	122550	25
96G034	11	96G115	13	96G189	11	122551	25
96G035	12	96G116	13	96G190	13	122552	25
96G036	12	96G118	12	96G192	11	122553	25
96G037	12	96G119	12	96G194	11	122554	25
96G038	11	96G120	12	96G195	13	122555	25
96G039	11	96G121	12	96G196	11	122556	25
96G040	11	96G122	12	96G197	12	122557	25
96G041	11	96G123	12	96G199	11	122558	25
96G042	11	96G124	12	96G201	13	122559	25
96G043	11	96G125	13	100040	93	122560	25
96G044	11	96G126	13	100054	92	122561	25
96G045	11	96G127	13	100206	92	122562	25
96G048	11	96G128	12	100848	92	122563	25
96G049	11	96G132	13	100854	92	122564	25
96G050	11	96G133	13	110712	92	122565	25
96G051	11	96G135	11	111697	93	122566	25
96G052	11	96G136	11	113093	93	122567	25
96G053	11	96G137	11	114901	55, 106	122568	25
96G055	11	96G138	11	114902	55, 106	122569	25
96G056	11	96G139	11	114903	55, 106	122570	25

Index

Part No.	Page No.	Part No.	Page No.	Part No.	Page No.	Part No.	Page No.
122571	25	122825	47	127552	91	247702	111
122572	25	122826	47	127553	91	247703	106
122573	25	122827	47	127554	91	247704	106
122574	25	122841	48	127555	91	247705	106
122575	25	122861	48	127722	91	247706	106
122576	25	122862	48	127723	91	247707	106
122577	25	122863	48	127724	91	247886	14, 104
122578	25	122864	48	127725	91	247902	106
122579	25	122865	48	128006	91	247970	106
122580	25	122866	48	128254	29	256778	16
122581	26	122868	48	128255	29	256907	124
122582	26	122869	48	128257	29	256908	124
122583	26	122885	48	128305	29	256929	124
122584	26	122886	48	128561	91	258248	99
122585	26	122887	48	128562	91	258262	127
122586	26	122888	48	128563	91	258263	127
122587	26	122889	48	128564	91	258301	77
122588	26	122890	48	128565	91	258347	77
122589	26	122891	48	128566	93	312349	106
122590	26	122895	25, 26	128567	93	313855	95
122591	26	122896	26	128568	93	553322	18
122592	26	122897	26	128570	91	555406	72
122593	26	122898	26	128571	91	555453	92
122594	26	122899	26	128572	91	555457	66
122595	26	122989	48	128573	91	555726	89, 91
122596	26	122990	48	128579	91	555727	89
122597	26	123358	8, 9, 15	128580	91	555741	112
122598	26	124089	88	128581	91	555742	112
122789	48	124090	88	128582	91	555743	112
122790	48	124091	88	128862	91	555749	89, 92
122791	48	124092	88	150287	92	555808	49
122792	48	124113	88	156022	92	556011	24
122793	48	124114	88	156296	92	556012	24
122794	48	124115	88	156580	92	556013	24
122795	48	124119	88	156849	92	556014	24
122796	48	124300	14	158683	91	556015	24
122797	48	124301	14	159842	92	556016	24
122798	48	124333	14, 85	162024	93	556018	24, 35
122799	48	124594	14	165198	92	556019	24, 35
122800	48	124595	14	200389	37	556023	97
122801	48	124640	14	224751	106	556024	97
122804	46	126005	14	239887	106	556025	97
122805	46	126030	55	241485	106	556026	123
122806	46	126217	8, 9	241486	106	556327	64
122807	46	126218	9	241572	106	556371	59, 62, 68
122808	46	126219	9	241573	106	556402	89, 92
122809	46	126220	9	243159	106	556403	89, 92
122810	46	126247	66	243170	106	556404	92
122811	46	126248	66	243191	106	556407	89, 93
122812	46	126249	66	243501	106	556408	92
122813	47	126250	66	244023	106	556416	92
122814	47	126251	66	247443	105, 106	556419	93
122815	47	126252	66	247444	106	556420	89, 93
122816	47	126331	14	247450	105, 106	556424	74
122817	47	127012	93	247456	106	556448	89
122818	47	127123	14	247457	106	556513	64
122819	47	127145	93	247538	106	556514	64
122820	47	127512	92	247540	105, 106	556540	64, 68
122821	47	127513	92	247574	106	556568	64
122822	47	127514	92	247575	106	556572	72
122823	47	127515	93	247700	106	556586	49
122824	47	127551	91	247701	111	556587	49

Index

Part No.	Page No.	Part No.	Page No.	Part No.	Page No.	Part No.	Page No.
556624	130	557271	17, 18, 19, 20, 42, 129	557771	72	558159	45
556632	89	557272	17, 18, 19, 20, 42	557772	72	558189	45
556633	89	557273	17, 18, 19, 20, 42	557773	72	558220	45
556634	89, 91	557278	90	557774	72	558289	129
556635	89	557285	16	557776	62, 68, 72	558290	129
556636	50, 89	557286	21	557779	88	558296	27, 45
556637	50, 89	557287	16	557781	31, 33, 84	558297	90
556638	50, 89	557293	21	557803	88	558298	90
556639	50, 89	557323	70	557804	88	558306	46
556640	50, 89	557349	62, 68, 93	557806	88	558307	46
556642	50, 89	557352	14, 90	557807	88	558308	46
556643	50, 89	557374	50	557810	21	558309	46
556644	50, 89	557391	70	557811	88	558310	46
556645	50, 89	557392	89, 92	557813	23	558311	48
556646	50, 89	557393	89, 92	557814	23	558312	48
556647	50, 89	557395	50, 89, 91	557815	23	558313	48
556648	50, 89	557422	82	557816	23	558314	48
556649	89	557423	82	557817	23	558315	48
556650	89	557488	70	557818	23	558316	48
556651	50	557489	70	557819	23	558317	48
556652	89	557490	70	557820	23	558318	48
556653	89	557491	70	557821	21	558319	48
556654	50	557492	70	557822	21	558320	48
556656	89	557493	70	557824	128	558321	48
556660	50, 89	557494	70, 74	557825	21, 31	558322	48
556661	89	557509	70	557826	27, 28, 33	558323	48
556662	89	557515	59	557827	128	558324	48
556664	91	557516	59	557828	86	558325	48
556666	50, 89	557517	59	557829	14, 31, 86	558326	48
556670	89	557518	59	557830	86	558327	48
556677	45	557519	59	557864	38, 39, 90	558328	48
556687	112	557520	59	557866	90	558329	48
556688	112	557546	84	557877	50	558330	48
556689	112	557547	26	557880	50	558331	48
556690	112	557559	90	557898	49	558332	48
556691	112	557641	27, 28	557901	49	558633	66
556692	112	557700	88	557925	36, 96	558795	93
556693	112	557701	88	557941	104	558799	62, 68
556694	112	557713	19, 90	557943	50	558881	127
556700	126	557716	62	557944	50, 91, 93	558895	23
556721	112	557721	64	557945	50	558899	28
556722	112	557722	64	557946	50	558906	50
556723	112	557731	62, 68	557947	50	558910	92
556724	112	557732	62, 68	557950	89, 93	558933	85
556725	112	557733	62, 68	557954	89	558938	85
556762	89, 92	557734	62, 68	557955	89	558947	86
556763	89, 91	557735	62, 68	557963	50	558948	90
556764	89, 91	557736	62, 68	557968	89	558949	23
556773	89	557737	64	557969	92	558950	23
556812	130	557738	62	557997	23	558951	23
556939	130	557739	62	557998	23	558953	23
556944	130	557740	62	558018	85	558954	23
557132	88	557741	85	558021	63, 85	558955	23
557134	77	557745	85	558022	63, 85	558959	37
557153	88	557746	85	558023	85	560477	77
557154	88	557747	85	558024	85	560478	77
557213	63	557752	85	558025	85	560528	89, 93
557214	63	557766	72	558026	85	560530	89, 91
557215	63	557767	72	558031	27, 28, 96	560532	89, 91
557225	63	557768	72	558156	45	560533	89, 91
557226	63	557769	72	558157	45	560534	89, 91
557270	17, 18, 19, 20, 42, 129	557770	72	558158	45	560535	92

Index

Part No.	Page No.	Part No.	Page No.	Part No.	Page No.	Part No.	Page No.
560537	92	562512	59	562582	74	562747	61
560540	92	562513	59	562583	74	562748	61
560541	92	562514	69	562584	74	562755	65
560542	92	562515	69	562585	74	562756	65
560543	92	562516	69	562627	124	562757	65
560576	70	562517	69	562629	124	562758	65
560577	70	562518	70	562642	90	562759	65
560591	74	562519	70	562647	90	562760	65
560592	74	562520	70	562653	58	562813	71
560593	74	562521	70	562654	58	562814	71
560594	74	562522	70	562655	58	562815	71
560595	74	562523	70	562656	58	562816	71
560596	74	562524	70	562657	58	562817	71
560597	74	562525	70	562658	58	562818	71
560598	74	562526	70	562659	58	562819	71
560600	74	562527	70	562660	62	562820	71
560601	74	562528	70	562679	67	562821	71
560602	74	562529	70	562680	67	562822	71
560603	74	562530	70	562681	67	562823	71
560604	74	562531	70	562682	67	562824	71
560605	74	562532	70	562683	67	562825	72
560606	74	562533	70	562684	67	562826	72
560620	70	562534	70	562685	67	562827	72
560643	59	562535	70	562686	67	562828	72
560645	59	562536	70	562687	67	562829	72
560649	59	562538	69	562688	67	562830	72
560734	29	562539	69	562689	67	562831	72
560919	62, 68	562540	69	562690	67	562832	72
560920	64, 68	562541	69	562711	61	562833	72
560936	62, 68	562542	69	562712	61	562834	72
560943	62, 68	562543	69	562713	61	562835	71
560953	63	562545	69	562714	61	562837	15, 24
560956	66	562546	69	562715	61	562838	24
560973	66	562547	125	562716	61	562839	24
560974	66	562548	125	562717	61	562840	24
560976	62, 68	562549	125	562718	61	562841	24
561029	72	562550	125	562720	61	562842	24
561031	77	562551	125	562721	61	562843	24
561032	77	562552	125	562722	61	562844	24
561102	70, 72	562553	125	562723	61	562845	35
561113	50	562554	125	562724	61	562846	35
561114	50	562555	125	562725	61	562847	15, 24
561131	50	562561	125	562726	61	562849	24
561132	50	562562	125	562727	61	562850	15, 24
561143	45	562563	125	562729	61	562851	15, 24
561215	45	562564	125	562730	61	562852	15, 24
561216	45	562565	125	562731	61	562854	34
561217	45	562566	125	562732	61	562855	34
561218	45	562567	125	562733	61	562857	37
561219	45	562569	70	562734	61	562858	43
561220	45	562570	73	562735	61	562860	43
561430	92	562571	73	562736	61	562861	43
562500	59	562572	73	562737	61	562872	36, 96
562501	59	562573	73	562738	61	562880	88
562502	59	562574	73	562739	61	562881	88
562503	59	562575	73	562740	61	562882	88
562504	59	562576	73	562741	61	562883	88
562505	59	562577	73	562742	61	562884	31, 33, 39
562508	59	562578	74	562743	61	562885	31, 33, 39
562509	59	562579	74	562744	61	562886	31, 33
562510	59	562580	74	562745	61	562887	31, 33
562511	59	562581	74	562746	61	562888	31, 33

Index

Part No.	Page No.	Part No.	Page No.	Part No.	Page No.	Part No.	Page No.
562889	30, 32, 39	563072	34	563188	83	563273	62, 84
562890	30, 32, 39	563073	88	563191	83	563275	78
562891	30, 32	563074	63, 88	563192	83	563276	78
562892	17, 19, 20, 36, 42	563075	87	563193	83	563277	74
562893	17, 19, 20, 36, 42	563076	87	563194	83	563278	74
562894	19, 20, 42	563077	87	563195	90	563279	62
562895	17, 19, 20, 41, 42	563078	87	563196	90	563287	70
562896	17, 18, 19, 20, 36, 41, 42	563079	87	563197	90	563301	26
562897	18, 19, 20, 36, 41, 42	563080	87	563198	90	563304	30
562898	18, 19, 20, 41, 42	563091	77, 88	563199	90	563305	44
562899	18, 19, 20, 41, 42	563092	88	563200	90	563306	30
562904	30, 32, 39	563093	88	563201	90	563307	44
562905	31, 33, 39	563094	88	563202	90	563308	30
562906	31, 33	563095	88	563203	90	563315	31, 33, 36
562907	36	563096	88	563205	90	563316	19, 20, 31, 33, 36, 42
562908	18, 19, 20, 42	563097	88	563206	90	563317	17, 19, 20, 31, 33, 36, 42
562910	31, 33	563100	88	563207	90	563318	31, 36
562911	31	563102	88	563208	90	563319	30, 32
562916	70	563103	88	563209	90	563320	30, 32
562917	70	563111	127	563210	90	563321	30, 32
562918	126	563113	126	563211	90	563322	17, 18, 19, 20, 31, 33, 36, 41, 42
562919	126	563127	77	563212	89	563323	16, 30
562925	127	563128	77	563213	89	563324	16, 30
562926	127	563129	77	563214	89	563325	31
562927	127	563130	77	563215	89	563326	31
562928	127	563131	77	563221	82	563327	31
562929	127	563132	77	563222	82	563329	30
562949	112	563137	16	563223	82	563330	16, 30
562950	112	563145	88	563224	82	563331	16, 30
562951	126	563146	89	563225	82	563332	31, 33, 36
562952	127	563147	89	563226	82	563337	30
562988	112	563148	89	563228	82	563339	31
562994	77	563150	89	563229	82	563340	31
562995	89	563154	89	563230	132	563341	31
563014	22, 31, 36	563156	14, 81	563231	80	563345	44
(563015)	17	563157	14, 81	563232	80	563346	16
563015	19, 20, 31, 33, 36, 42	563158	14, 81	563233	80	563355	16, 30
563016	19, 20, 31, 33, 36, 42	563159	14, 81	563234	80	563356	16, 108
563020	127	563160	14, 38, 81	563235	80	563358	32
563024	127	563161	14, 81	563236	80	563359	32
563030	130	563162	27, 45, 81	563237	80	563361	32
563031	130	563164	81	563239	80	563362	32
563032	130	563165	81	563240	80	563363	32
563033	130	563166	81	563241	80	563364	32
563041	130	563167	81	563242	80	563365	32
563042	130	563168	81	563243	80	563367	32
563043	130	563169	81	563244	80	563374	28
563044	130	563170	81	563245	80	563375	28, 90
563046	90	563171	81	563250	84	563376	28
563047	90	563172	81	563251	62, 68, 84	563378	33
563048	77, 90	563173	81	563252	80	563379	28
563049	77, 90	563174	81	563253	80	563380	19, 42
563051	90	563175	81	563254	80	563383	18, 19, 20, 41, 42
563052	90	563176	81	563255	80	563384	19, 20, 42
563054	90	563178	89, 92	563256	80	563385	19, 42
563055	90	563179	19, 20, 42, 83	563257	80	563386	17, 18, 19, 20, 42
563058	90	563182	83	563258	80	563387	17, 18, 19, 20, 42
563060	90	563183	83	563260	84	563388	17, 18, 19, 20, 42
563061	90	563184	19, 20, 42, 83	563269	84	563389	17, 18, 19, 20, 42
563068	87	563185	83	563270	58, 84	563393	38
563069	87	563186	83	563271	58, 84	563421	62, 68
563070	87	563187	83	563272	62, 84	563422	62, 68

Index

Part No.	Page No.	Part No.	Page No.	Part No.	Page No.	Part No.	Page No.
563424	62, 68	563521	72	563810	103	563942	77
563425	62, 68	563522	72	563814	100	563945	33
563427	85	563524	72	563823	100	563952	83
563435	64, 68	563525	72	563824	103	563954	83
563436	64, 68	563526	72	563829	102	563955	83
563437	64, 68	563527	72	563840	102	563956	83
563438	64, 68	563555	58	563842	102	563957	83
563439	64, 68	563557	23	563846	100	563959	83
563440	64, 68	563558	21	563848	102	563960	83
563444	62, 68	563565	128	563849	102	563961	83
563447	62	563566	128	563850	102	563962	19, 83
563448	63	563571	36	563851	102	563963	83
563451	62	563572	36	563852	102	563964	83
563452	63	563573	36	563853	103	563965	19, 83
563453	63	563574	36	563854	98	563966	83
563454	63	563575	36	563855	103	563969	85
563455	63	563576	36	563858	99	563970	85
563456	63	563577	36	563859	99	564003	88
563457	63	563578	36	563860	99	564004	88
563460	63	563579	36	563863	103	564005	88
563461	63	563580	39	563864	103	564006	88
563463	63	563589	98	563865	102	564007	88
563464	63	563590	98	563866	102	564008	88
563465	64, 68	563593	98	563874	98	564009	88
563467	63	563625	98	563877	103	564010	88
563468	63	563627	49	563878	102	564012	40
563469	62, 68	563628	49	563880	102	564019	45
563470	62, 68	563629	49	563881	102	564020	45
563471	62, 68	563630	49	563884	102	564021	45
563472	62, 68	563631	49	563888	98	564022	45
563476	85	563632	49	563891	100	564023	45
563477	85	563633	49	563893	103	564024	45
563478	85	563634	49	563895	103	564025	45
563480	88	563635	49	563896	103	564026	45
563482	63	563636	49	563897	100	564027	45
563483	63	563637	49	563898	18	564028	45
563484	85	563638	49	563900	43	564029	45
563485	14, 85	563644	99	563901	43	564030	45
563486	85	563645	99	563902	30	564031	45
563489	77	563646	99	563903	30	564032	45
563493	63	563647	99	563904	30	564033	45
563494	63	563652	99	563909	33	564034	45
563495	79, 85	563653	99	563911	132	564035	45
563501	14, 85	563659	99	563912	34	564036	45
563502	131	563706	99	563913	34	564038	45
563503	131	563715	99	563914	97	564039	45
563504	131	563716	99	563915	19	564040	45
563505	131	563717	99	563916	19	564041	45
563506	131	563727	99	563917	70, 72	564042	45
563507	88	563728	99	563918	128	564043	45
563508	88	563737	99	563919	128	564044	45
563509	88	563738	99	563920	128	564045	45
563510	88	563743	99	563921	19	564046	45
563511	88	563744	99	563926	74	564047	45
563512	88	563748	99	563928	64, 68	564053	45, 88
563513	88	563759	89	563929	64, 68	564059	83
563514	88	563762	36	563930	28	564065	27
563515	88	563769	49	563933	63	564067	27
563516	88	563770	50	563938	19	564068	27
563518	72	563776	89	563939	112	564138	25
563519	72	563777	89	563940	77	564200	80
563520	72	563809	100	563941	77	564205	59

Index

Part No.	Page No.	Part No.	Page No.	Part No.	Page No.	Part No.	Page No.
564210.....	125	564423.....	39	LM8531.....	18	MBA2CR.....	115
564211.....	125	564439.....	27	LM8534.....	18	MBA3CD.....	115
564212.....	125	564443.....	77	LM8554.....	18	MBB0AA.....	115
564213.....	125	564444.....	77	LM9331.....	18	MBB0AB.....	115
564214.....	125	564445.....	77	LM9511.....	18	MBB0AC.....	115
564219.....	125	567251.....	62, 68	LM9521.....	18	MBB0AG.....	115
564222.....	125	567270.....	18	MAAACB.....	114	MBB0AH.....	115
564223.....	125	567272.....	18	MAAADB.....	114	MBB0AM.....	115
564225.....	125	568906.....	38	MAAAEB.....	114	MBB0AN.....	115
564226.....	125	571026.....	14	MAAAEC.....	114	MBB1CM.....	115
564227.....	125	571028.....	14	MAABBB.....	114	MBB1CZ.....	115
564229.....	125	571030.....	14	MAABBC.....	114	MBB1DA.....	115
564244.....	124	571031.....	14	MAABBF.....	114	MBB1DM.....	115
564264.....	31, 33	571032.....	14	MAABBG.....	114	MBB2BB.....	115
564272.....	126	571033.....	14	MAABDB.....	114	MBB2CA.....	115
564276.....	127	571036.....	14	MAABDC.....	114	MBB2CB.....	115
564277.....	127	571041.....	14	MAABEB.....	114	MBB2CD.....	115
564278.....	127	571058.....	14	MAABEF.....	114	MBB2CE.....	116
564279.....	127	571063.....	14	MABAAB.....	114	MBB2CM.....	116
564280.....	127	571064.....	14	MABACH.....	114	MBB2CN.....	116
564282.....	127	571070.....	14	MABAFB.....	114	MBB2DC.....	116
564283.....	127	571159.....	14	MABAFG.....	114	MBB2DG.....	116
564317.....	112	571162.....	14	MABAHC.....	114	MBB2DM.....	116
564322.....	31	BN1KM.....	120	MABAHG.....	114	MBB3CA.....	116
564334.....	126	LM2323.....	17	MABAJA.....	114	MBC0AA.....	116
564336.....	127	LM2533.....	17	MABBAC.....	114	MBC0AC.....	116
564337.....	77	LM3131.....	17	MABBCC.....	114	MBC0AE.....	116
564343.....	88	LM4211.....	41	MABBEC.....	114	MBC0AG.....	116
564348.....	77	LM4451.....	17	MABBEE.....	114	MBC0AL.....	116
564350.....	89	LM4523.....	17	MABBFF.....	114	MBC0AS.....	116
564352.....	89	LM4533.....	17	MABBFG.....	114	MBC1EB.....	116
564355.....	82	LM5111.....	17	MABBGA.....	114	MBC1EE.....	116
564356.....	58, 84	LM5114.....	17	MABBGB.....	114	MBC1EJ.....	116
564357.....	84	LM5211.....	41	MABBGC.....	114	MBC1FE.....	116
564365.....	38	LM5214.....	41	MABBGF.....	114	MBC2BL.....	116
564375.....	32	LM5311.....	17	MABBHC.....	114	MBC2CM.....	116
564376.....	28	LM5331.....	17	MABBHG.....	114	MBC2CN.....	116
564377.....	19	LM5514.....	17	MACAEH.....	114	MBC2DB.....	116
564378.....	38	LM5521.....	17	MACAGH.....	114	MBC2EA.....	116
564379.....	38	LM5544.....	17	MACAHF.....	114	MBC2EB.....	116
564381.....	38	LM5644.....	18	MACAKE.....	114	MBC2ED.....	116
564383.....	38	LM6214.....	41	MACALC.....	114	MBC2EF.....	116
564384.....	38	LM6311.....	18	MACANB.....	114	MBC2FB.....	116
564385.....	38	LM6314.....	18	MACBJB.....	114	MBC2FE.....	116
564386.....	38	LM6334.....	18	MACBKA.....	114	MBC2FG.....	116
564387.....	38	LM6344.....	18	MACBLC.....	114	MBC2FL.....	116
564389.....	38	LM6514.....	18	MACBLG.....	114	MBC3EB.....	116
564399.....	85	LM6524.....	18	MADBCC.....	114	MBC5DE.....	116
564400.....	85	LM6534.....	18	MADBLH.....	114	MBC7CM.....	116
564401.....	85	LM6544.....	18	MADBSG.....	114	MBD0AA.....	116
564402.....	85	LM7211.....	41	MAEAAB.....	114	MBD0AE.....	116
564403.....	85	LM7214.....	18	MAEBGE.....	114	MBD0AH.....	116
564406.....	88	LM7344.....	18	MBAQAA.....	115	MBD0AL.....	116
564411.....	23	LM7514.....	18	MBAOAM.....	115	MBD0AM.....	116
564412.....	21	LM7534.....	18	MBAOAN.....	115	MBD0AN.....	116
564413.....	21	LM7614.....	18	MBA1BA.....	115	MBD1DN.....	116
564414.....	21	LM7654.....	18	MBA1CB.....	115	MBD1EE.....	116
564415.....	21	LM8211.....	41	MBA1CF.....	115	MBD1EM.....	116
564419.....	39	LM8314.....	18	MBA1CM.....	115	MBD1EN.....	116
564420.....	39	LM8334.....	18	MBA2BF.....	115	MBD1FA.....	117
564421.....	39	LM8354.....	18	MBA2BR.....	115	MBD1FN.....	117
564422.....	39	LM8454.....	18	MBA2CE.....	115	MBD1GL.....	117

Index

Part No.	Page No.	Part No.	Page No.	Part No.	Page No.	Part No.	Page No.
MBD1GN.....	117	MBF2RC.....	118	MBP2NY.....	120		
MBD1GT.....	117	MBF2TE.....	118	MBROAY.....	120		
MBD1JA.....	117	MBF3CA.....	118	MBR1UY.....	120		
MBD2BR.....	117	MBF3NA.....	118	MBR1VU.....	120		
MBD2DA.....	117	MBF3PA.....	118	MBR1WU.....	120		
MBD2DD.....	117	MBG0AA.....	118	MBR7VY.....	120		
MBD2DF.....	117	MBG0AC.....	118	MBS0AU.....	120		
MBD2DM.....	117	MBG0AE.....	118	MBS0AX.....	120		
MBD2FF.....	117	MBG0AG.....	118	MBS0AY.....	120		
MBD2FR.....	117	MBG0AH.....	118	MBS2XA.....	120		
MBD2GA.....	117	MBG1VA.....	118	MBS2ZA.....	120		
MBD2GK.....	117	MBG1WA.....	118	MBS3LY.....	120		
MBD2GL.....	117	MBG2TE.....	118	MM1111.....	21		
MBD2GR.....	117	MBH0AA.....	118	MM1112.....	21		
MBD2GZ.....	117	MBH0AE.....	118	MM1121.....	21		
MBD2JA.....	117	MBH2UA.....	118	MM1122.....	21		
MBD2JB.....	117	MBH2ZE.....	118	MM1212.....	21		
MBD2JE.....	117	MBH3ZA.....	119	MM1222.....	21		
MBD3FC.....	117	MBJ1BM.....	119	MM1311.....	21		
MBD3GA.....	117	MBJ1CN.....	119	MM1312.....	21		
MBD5GE.....	117	MBK0AL.....	119	MM1322.....	21		
MBD7HN.....	117	MBK0AN.....	119	MM1411.....	21		
MBE0AA.....	117	MBK1BN.....	119	MM1412.....	21		
MBE0AC.....	117	MBK1CM.....	119	MM1422.....	21		
MBE0AE.....	117	MBK1CN.....	119	MM2112.....	21		
MBE0AG.....	117	MBK2CN.....	119	MM2122.....	21		
MBE0AH.....	117	MBK2DA.....	119	MM2211.....	21		
MBE1FJ.....	117	MBK2DC.....	119	MM2212.....	21		
MBE1HN.....	117	MBK2DF.....	119	MM2221.....	21		
MBE1JA.....	117	MBK3CL.....	119	MM2222.....	21		
MBE1JE.....	117	MBK3DK.....	119	MM2312.....	21		
MBE1JM.....	117	MBL0AA.....	119	MM2322.....	21		
MBE1KM.....	117	MBL0AM.....	119	MM2411.....	21		
MBE1MC.....	117	MBL0AN.....	119	MM2412.....	21		
MBE1ME.....	117	MBL1EA.....	119	MM3112.....	21		
MBE1NG.....	117	MBL1EN.....	119	MM3122.....	21		
MBE1NR.....	117	MBL2EA.....	119	MM3211.....	21		
MBE2ER.....	117	MBL2EN.....	119	MM3212.....	21		
MBE2JM.....	117	MBL2FN.....	119	MM3312.....	21		
MBE2KA.....	118	MBL3CN.....	119	MM3322.....	21		
MBE2KG.....	118	MBL7CM.....	119	MM3411.....	21		
MBE2KL.....	118	MBM1HN.....	119	MM3412.....	21		
MBE2KN.....	118	MBM1JM.....	119	MM3422.....	21		
MBE2KZ.....	118	MBM2EK.....	119				
MBE2LA.....	118	MBM2EM.....	119				
MBE2LL.....	118	MBM2FN.....	119				
MBE2NA.....	118	MBM2GM.....	119				
MBE2NE.....	118	MBM2GN.....	119				
MBE2NM.....	118	MBM2JL.....	119				
MBE2NT.....	118	MBM3FL.....	119				
MBE4EN.....	118	MBM4EM.....	120				
MBE5CA.....	118	MBN1BM.....	120				
MBF0AA.....	118	MBN1JM.....	120				
MBF0AE.....	118	MBN1LN.....	120				
MBF0AG.....	118	MBN1MN.....	120				
MBF0AH.....	118	MBN1NK.....	120				
MBF1RA.....	118	MBN2JK.....	120				
MBF1SA.....	118	MBN2MN.....	120				
MBF2JA.....	118	MBN3DN.....	120				
MBF2MD.....	118	MBN3NK.....	120				
MBF2NB.....	118	MBP0AW.....	120				
MBF2NE.....	118	MBP1RU.....	120				
MBF2PA.....	118	MBP1SU.....	120				
MBF2PE.....	118	MBP2NW.....	120				

AMERICAS

MINNESOTA

Worldwide Headquarters
Graco Inc.
88-11th Avenue N.E.
Minneapolis, MN 55413

MAILING ADDRESS

P.O. Box 1441
Minneapolis, MN 55440-1441
Tel: 612-623-6000 Fax: 612-623-6777

EUROPE

BELGIUM

Graco BVBA
Industrieterrein-Oude Bunders
Slakweidestraat 31
B-3630 Maasmechelen,
Belgium
Tel: 32 89 770 700 Fax: 32 89 770 777

ASIA PACIFIC

AUSTRALIA

Graco Australia Pty Ltd.
Suite 17, 2 Enterprise Drive
Bundoora, Victoria 3083
Australia
Tel: 61 3 9468 8500 Fax: 61 3 9468 8599

CHINA

Graco Hong Kong Ltd.
Shanghai Representative Office
Building 7
1029 Zhongshan Road South,
Huangpu District
Shanghai, 200011
The People's Republic of China
Tel: 86 21 649 50088 Fax: 86 21 649 50077

INDIA

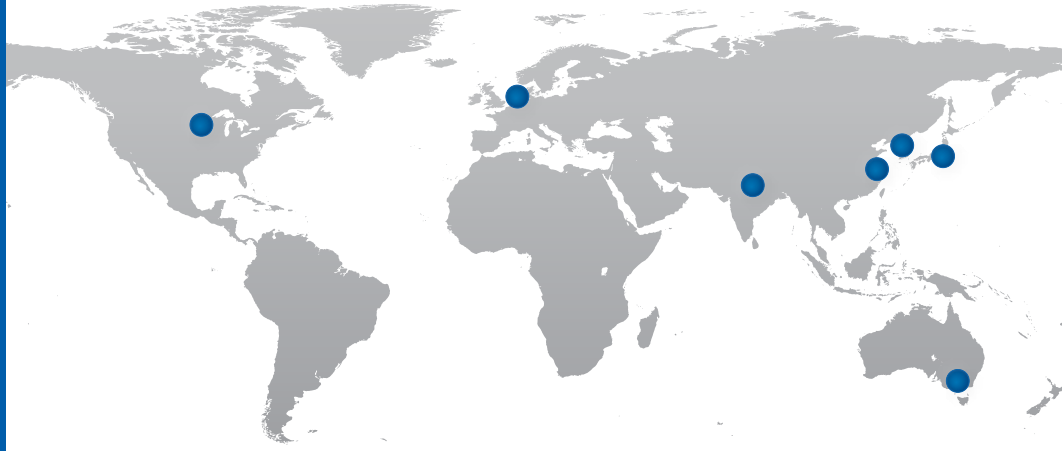
Graco Hong Kong Ltd.
India Liaison Office
Room 443, Level 4
Augusta Point, Golf Course Road
Gurgaon, Haryana, India 122001
Tel: 91 124 435 4208 Fax: 91 124 435 4001

JAPAN

Graco K.K.
1-27-12 Hayabuchi
Tsuzuki-ku
Yokohama City, Japan 2240025
Tel: 81 45 593 7300 Fax: 81 45 593 7301

KOREA

Graco Korea Inc.
Shinhan Bank Building
4th Floor #1599
Gwangyang-Dong, Dongan-Ku,
Anyang-si, Korea 431-060
Tel: 82 31 476 9400 Fax: 82 31 476 9801



Graco's got you covered

Facilities Worldwide for Global Support



Quality First

At Graco we pride ourselves on providing best-in-class products. Engineered solutions are manufactured in our own facilities, with the highest standards in the industry. We provide you with world-class customer support and expertise to help solve your lubrication challenges.



Global Reach

Graco has facilities across the globe to provide you with the products and service *you* need, where *you* live. Plus, Graco has dedicated field experts in all areas of the world to support the products we sell.



Product Capabilities

Graco has a broad range of products to provide solutions that meet your needs. Our products are engineered and tested to perform in the harshest environments so you can be certain your equipment is protected and working at peak performance.

Contact us today!

Call **800-533-9655** to speak with a Graco representative,
or visit **www.graco.com** for more information.

