

Spra-Control™ Valve

3A3114B

EN

Used with a centralized lubrication system or mechanical oiler dispensing oil or grease.

Part No.:

563275 - 4 inch spray, normal

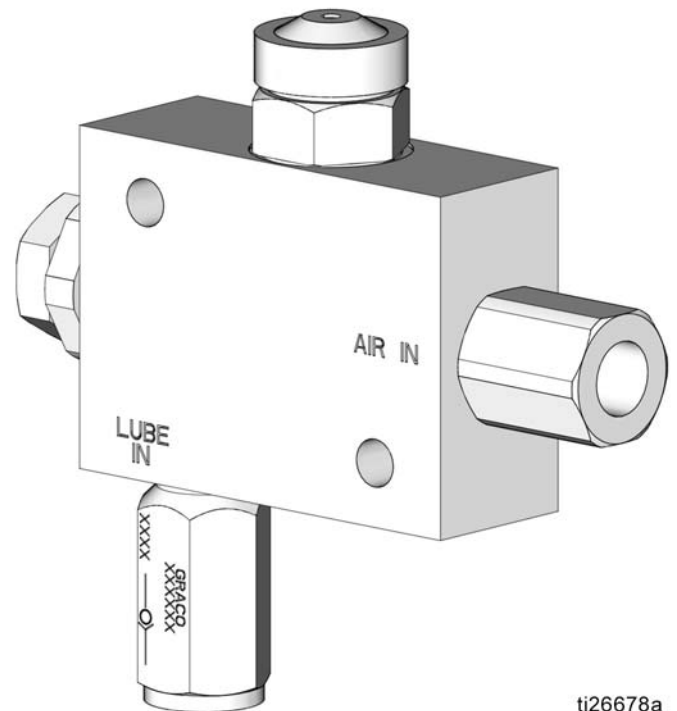
563276 - 8 inch spray, wide

150 psi (1.03 MPa, 10.3 bar) Maximum Air Working Pressure



Important Safety Instructions






Read all warnings and instructions in this manual and your lubrication system instruction manuals. Save all instructions.



ti26678a

Warnings

The following warnings are for the setup, use, grounding, maintenance, and repair of this equipment. The exclamation point symbol alerts you to a general warning and the hazard symbols refer to procedure-specific risks. When these symbols appear in the body of this manual or on warning labels, refer back to these Warnings. Product-specific hazard symbols and warnings not covered in this section may appear throughout the body of this manual where applicable.

 <h1 style="margin: 0;">WARNING</h1>	
  	<p>PRESSURIZED EQUIPMENT HAZARD</p> <p>Fluid from the equipment, leaks, or ruptured components can splash in the eyes or on skin and cause serious injury.</p> <ul style="list-style-type: none"> • Follow the Pressure Relief Procedure included in your lubrication system equipment manuals when you stop spraying/dispensing and before cleaning, checking, or servicing equipment. • Tighten all fluid connections before operating the equipment. • Check hoses, tubes, and couplings daily. Replace worn or damaged parts immediately.
	<p>PERSONAL PROTECTIVE EQUIPMENT</p> <p>Wear appropriate protective equipment when in the work area to help prevent serious injury, including eye injury, hearing loss, inhalation of toxic fumes, and burns. This protective equipment includes but is not limited to:</p> <ul style="list-style-type: none"> • Protective eyewear, and hearing protection. • Respirators, protective clothing, and gloves as recommended by the fluid and solvent manufacturer.

Instructions

Installation

The Spra-Control Valve is ready to install in your system. It has been factory-tested and should not require any additional modification.

Connect the air supply hose to the AIR IN inlet fitting (13) and the lubricant supply hose to the LUBE IN check valve (4) (FIG. 1).

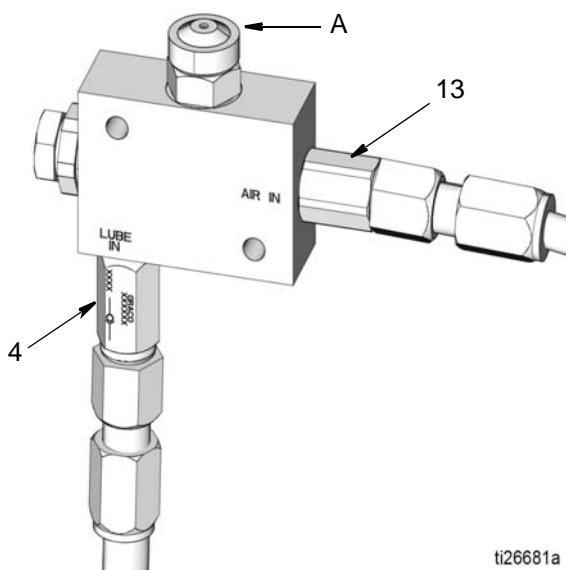


FIG. 1

Key:

A Dispense nozzle

Air On Time Adjustment

The Air On Time setting can be adjusted as needed.

To **DECREASE** air on time, **INCREASE** dimension "X".

- a. Turn adjustment sleeve (10) **counter clockwise**.
- b. Tighten jam nut (14) to secure adjustment sleeve. Torque nut to 12 ft-lbs (16.27 N•m).

To **INCREASE** air on time, **DECREASE** dimension "X".

- a. Loosen jam nut (14).
- b. Turn adjustment sleeve (10) **clockwise** to decrease dimension "X".
- c. Tighten jam nut (14) to secure adjustment sleeve. Torque jam nut to 12 ft-lbs (16.27 N•m).

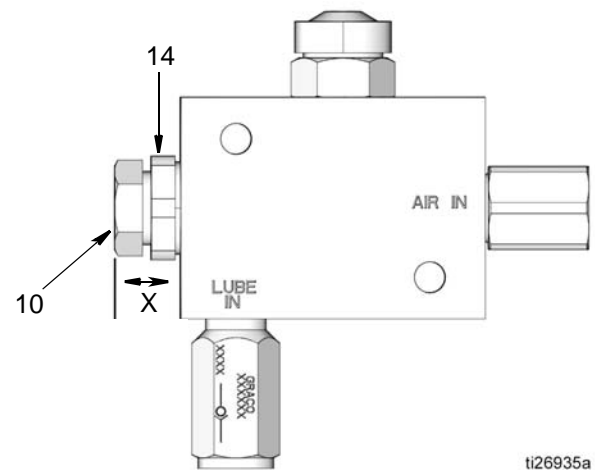






FIG. 2

Cleaning

					
<p>PRESSURIZED EQUIPMENT HAZARD</p> <p>Follow the Pressure Relief Procedure included in your lubrication system equipment manuals before cleaning or servicing the valve.</p>					

1. Disconnect power to the lubrication system equipment and relieve lubrication system pressure as instructed in your lubrication system instruction manuals.
2. Relieve air pressure as instructed in your lubrication system instruction manuals.
3. Disconnect the air hose (AH) from air inlet (13) (FIG. 3).
4. Disconnect the lubricant supply hose (LH) (FIG. 3) from the check valve (4).

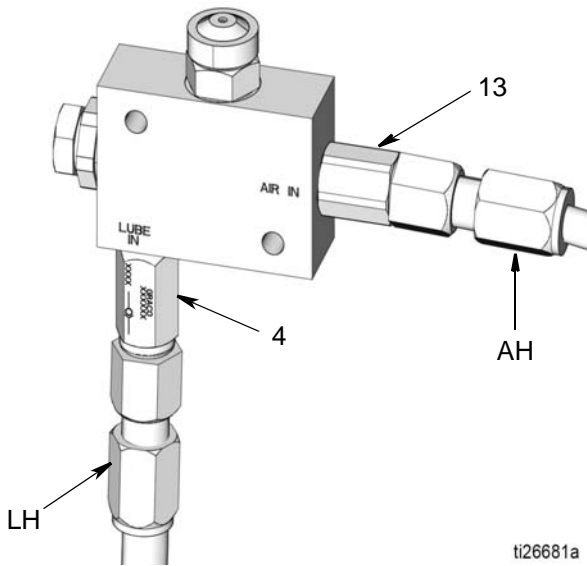


FIG. 3

Valve Disassembly

1. Use a wrench to remove the check valve (4) (FIG. 4).

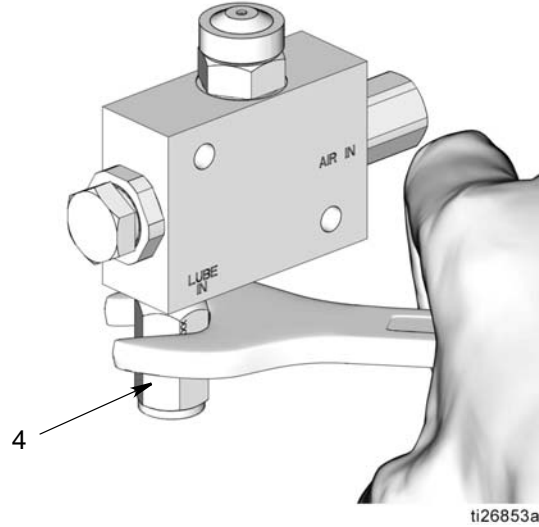


FIG. 4

2. Remove the air inlet assembly (3, 5, 6, 13, 17) (FIG. 5).

NOTE: Be sure the o-ring (17), ball (5) and spring (6) are removed from the valve body (11).

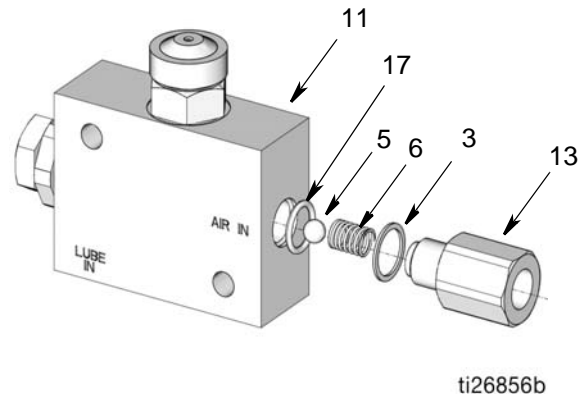


FIG. 5

- Remove the air valve spray assembly (7, 8, 9, 16) (FIG. 6). Separate all parts.

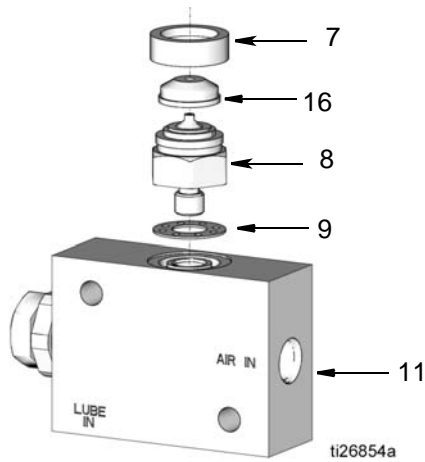


FIG. 6

- Measure and note the distance/location (X) (FIG. 7) of the adjustment screw (10) to ensure it is set to the same distance/location during reassembly.

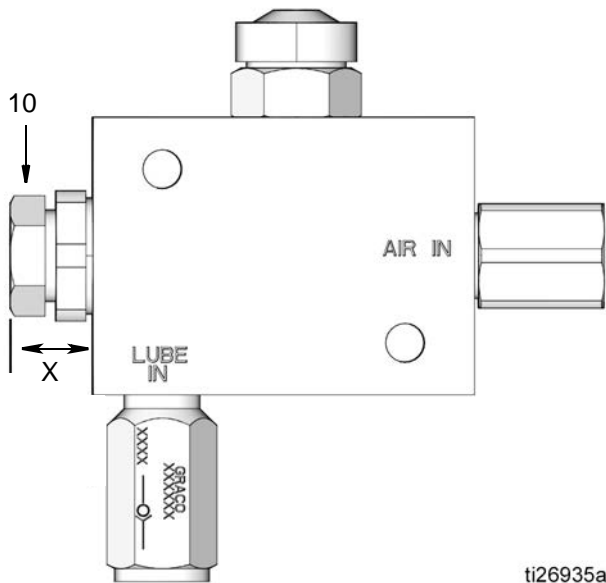


FIG. 7

- Remove the spray valve piston assembly (10, 12, 14) (FIG. 8). Separate all parts.

NOTE: During disassembly pay attention to the piston's (12) orientation in the valve body to ensure it is reinstalled in the correct orientation when reassembling the Spra-valve.

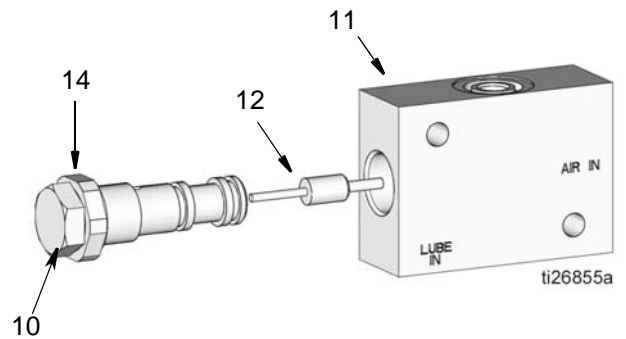


FIG. 8

- Separate parts. Use a soft clean rag and a compatible solvent to clean parts.
- Inspect parts for wear and damage. Replace all worn and/or damaged parts. Repair Kit 25A182 is available from Graco. This kit contains:

- stainless steel ball
- o-ring, -013
- copper gasket
- check valve spring
- spray nozzle gasket
- o-ring, 0.008

Reassembly

1. Apply thread sealant to the check valve (4) threads. Install the check valve (4) in the LUBE IN opening in the valve body (11) until finger tight. Then turn 2 additional turns (FIG. 9).

NOTE: Be careful not to cross thread or over-tighten the check valve (4). Over-tightening could split the aluminum body.

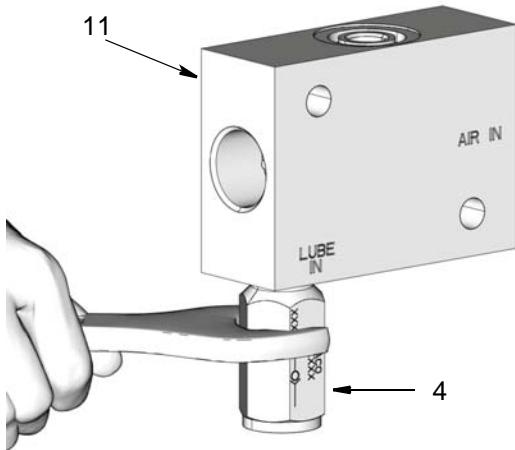
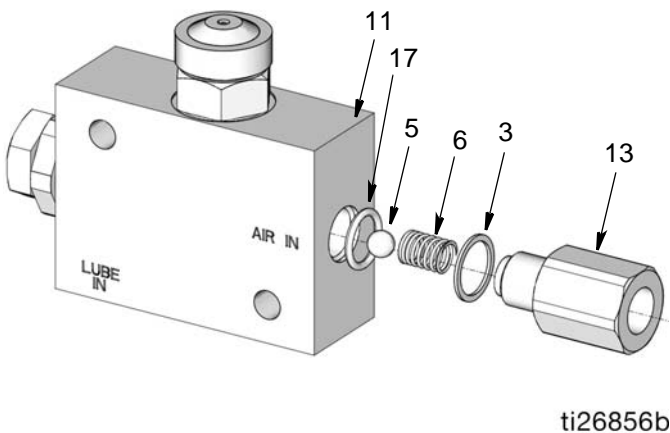


FIG. 9

2. Apply a thin layer of oil to copper gasket (3). Install gasket on air inlet fitting (13) as shown in FIG. 10.

Install the o-ring (17) and ball (5) in the valve body (11) and then install the spring (6) as shown in FIG. 10. Install the air inlet fitting (13). Torque cap to 20 ft-lbs (27.12 N•m).

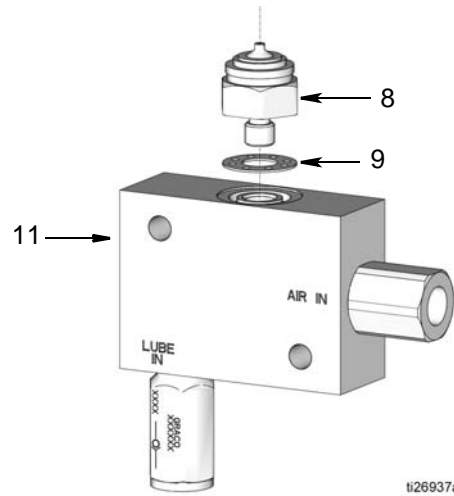
NOTE: The o-ring, spring and ball must installed in the correct order as stated in Step 2 and is shown in FIG. 10.



ti26856b

FIG. 10

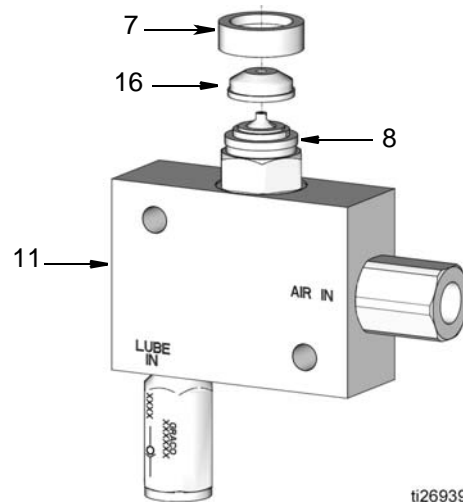
3. Apply a thin layer of oil to gasket (9). Seat gasket (9) in the valve body (11). Install the valve spray cap (8). Torque cap to 6 ft-lbs (8.14 N•m) (FIG. 11).



ti26937a

FIG. 11

4. Install the air valve spray cap (16) and spray valve retaining ring (7) over the valve spray cap (8) as shown in FIG. 12. Torque the retaining ring (7) to 6 ft-lbs (8.14 N•m).



ti26939a

FIG. 12

- Apply a thin layer of oil to the spray valve piston (12). Install spray valve piston in adjustment sleeve (10). **Refer to FIG. 13 to verify the piston is correctly oriented in the adjustment sleeve.**

NOTE: The longer portion of the spray valve piston is installed into the adjustment sleeve. When the adjustment sleeve is installed in the valve body, the shorter portion of the spray valve piston will be installed into the valve body first.

- Install assembly in valve body (11) (FIG. 13).

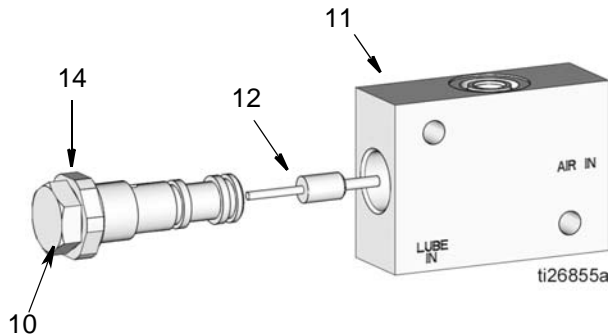


FIG. 13

- Measure and set the distance/location (X) of the adjustment screw (10).

NOTE: The adjustment sleeve should be set to the same value as the measurement taken in the block disassembly procedure; Step 4, page 5.

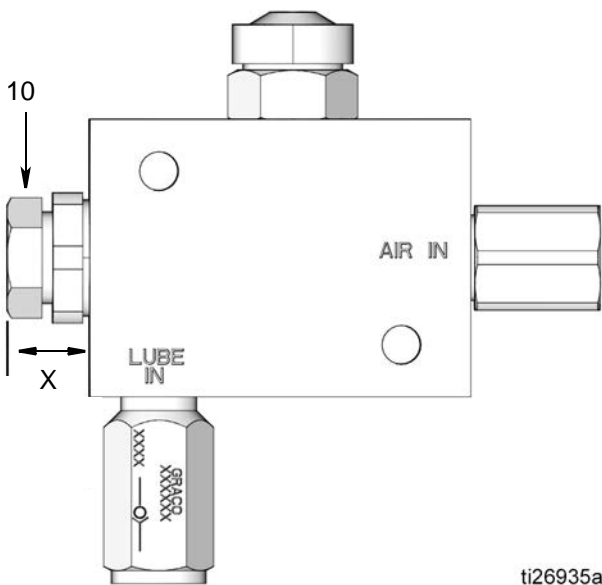


FIG. 14

- Tighten jam nut (14) to secure adjustment sleeve. Torque nut to 12 ft-lbs (16.27 N•m).
- Connect the air hose (AH) to the AIR IN inlet (13) and the lubricant supply hose (LH) to the LUBE IN check valve (4) (FIG. 15).

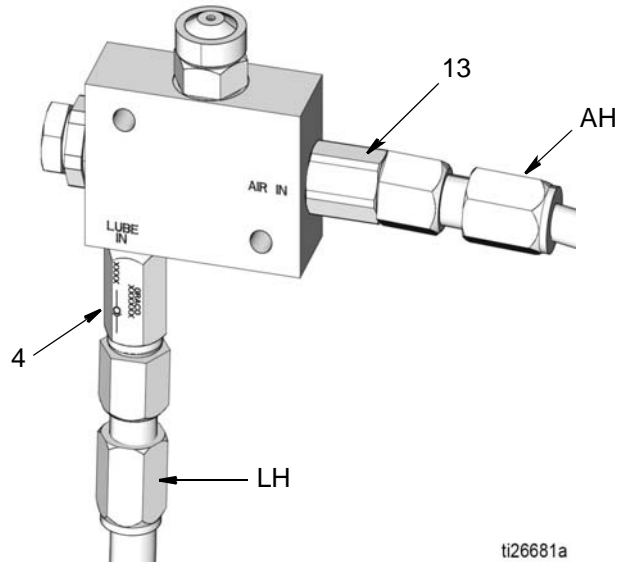
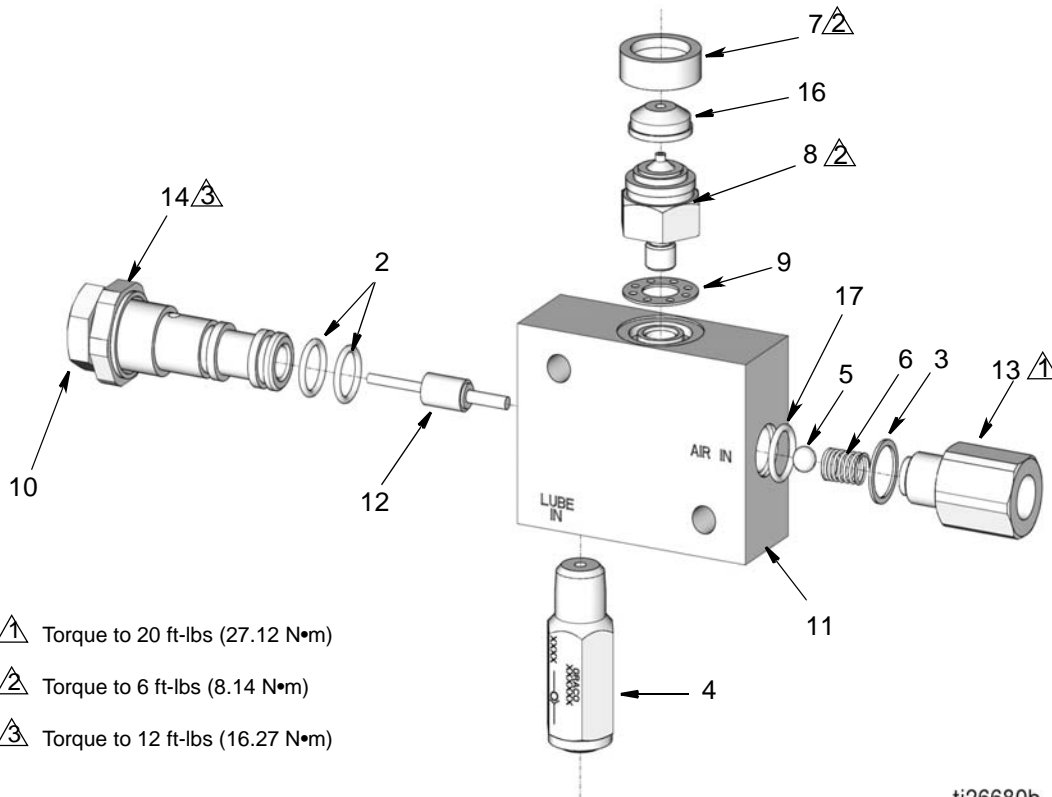


FIG. 15

Parts



ti26680b

FN	Part No.	Description	Qty
2	◆	O-RING	2
3	◆	GASKET, copper	1
4	563211	VALVE, check, 1/4 inch NPT	1
5	◆†	BALL, bearing	1
6	◆†	SPRING, check valve spray	1
7	557497	RING, retainer, valve spray	1
8	557499	CAP, fluid, valve spray	1
9	◆	GASKET, nozzle spray	1
10	560584	SLEEVE, adjustment	1
11	560585	BODY, spray, valve	1
12	†	PISTON, valve, spray	1
13	560587	FITTING, air inlet	1
14	557501	NUT, 3/4 inch-16 seal	1
16	557498	CAP, air valve spray (model 563275)	1
	126750	CAP, air valve spray (model 563276)	1
17	556542	O-RING, -008, Buna-N 70 Duro	1

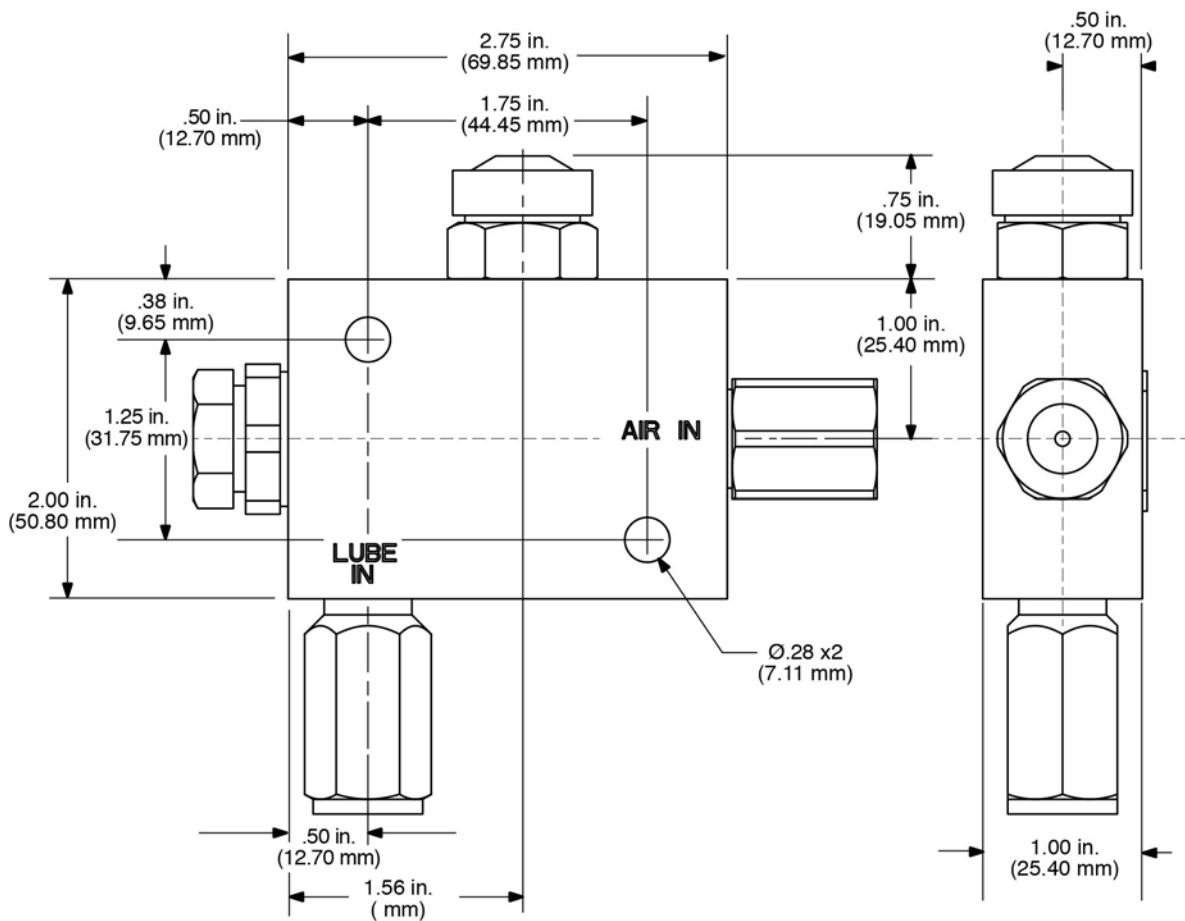
◆Parts included in Spray Valve Repair Kit 25A182 (purchase separately).

†Note orientation of these parts to ensure correct installation.

Technical Data

Minimum Air Pressure	20 psi (1.4 bar)
Maximum Air Pressure	150 psi (10.3 bar)
Spray patterns	4 inch or 8 inch (10.2 cm or 20.3 cm)
Typical fluids	
Oil	Minimum 100 SUS at 100°F
Grease	NLGI #1 at any temperature; NLGI#2 at 32°F or above
Wetted parts	Stainless Steel, Aluminum, Buna-N/Nitrile, Zinc Plated Spring Steel, Alloy Steel-high Carbon, High Chrome, Copper
Weight	0.9 lbs (0.4 kg)

Dimensions



ti26679a

Graco Information

For the latest information about Graco products, visit www.graco.com.

For patent information, see www.graco.com/patents.

TO PLACE AN ORDER, contact your Graco distributor or call to identify the nearest distributor.

Phone: 612-623-6928 or Toll Free: 1-800-533-9655, Fax: 612-378-3590

*All written and visual data contained in this document reflects the latest product information available at the time of publication.
Graco reserves the right to make changes at any time without notice.*

Original instructions. This manual contains English. MM 3A3114

Graco Headquarters: Minneapolis

International Offices: Belgium, China, Japan, Korea

GRACO INC. AND SUBSIDIARIES • P.O. BOX 1441 • MINNEAPOLIS MN 55440-1441 • USA
Copyright 2015, Graco Inc. All Graco manufacturing locations are registered to ISO 9001.

www.graco.com

Revision B, June 2016