

Straight and Angle Swivels

DESCRIPTION

The Trabon Straight and Angle Swivels are available in standard ball bearing or compact types. Primarily designed for medium to high pressure service in centralized oil and grease systems, these swivels provide a simple and inexpensive means of making line connections between either stationary, or oscillating surfaces. Trabon all-steel plated swivels are available in both 90° angle and 180° straight design; sizes range from 1/8-inch to 1-inch pipe thread. Standard seals are Buna N elastomeric material.

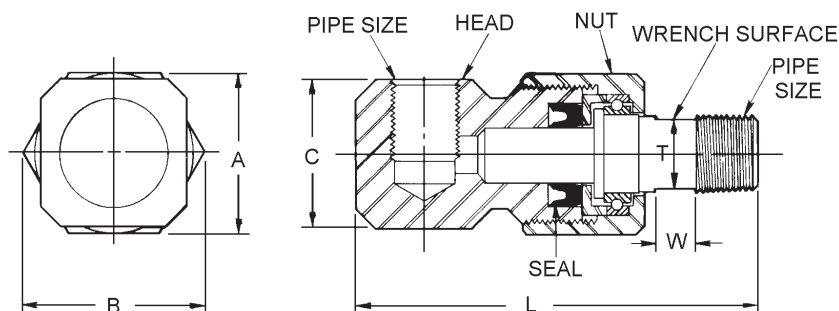
BALL BEARING SWIVELS

The Ball Bearing Swivels turn freely at high pressure without binding and should always be used if space permits. The stems and nuts are hardened to minimize wear. Although designed for oil and grease service the ball bearing swivel can also be used with other fluids which will not adversely affect the swivel's packing, ball bearings or body and vacuum service. The maximum pressure is 3000 PSI.



Straight

Angle



Pipe Size in Inches	Part No. (Old)		Balls	Dimensions in (mm)					
	90° Angle	180° Straight		Dia. No.	Nut A	Nut B	Head C	Length L	Flat T
1/8*	563212 (509-400-000)	563213 (509-402-000)	0.09 (2.3) 14	0.87 (22.2)	1.01 (25.8)	0.75 (19.0)	2.28 (57.9)	0.31 (7.9)	0.25 (6.3)
1/4*†	563214 (509-405-000)	563215 (509-406-000)	0.09 (2.3) 18	1.00 (25.4)	1.15 (29.2)	0.93 (23.8)	2.75 (69.8)	0.43 (11.1)	0.31 (7.9)
3/8	563153 (503-704-002)	564349 (503-705-002)	Ball Bearing	1.37 (34.9)	1.62 (41.2)	1.12 (28.5)	3.93 (100.0)	0.56 (14.2)	0.37 (9.5)
1/2	564350 (503-706-001)	563154 (503-707-001)	Ball Bearing	1.75 (44.4)	2.03 (51.6)	1.62 (41.2)	4.50 (114.3)	0.75 (19.0)	0.43 (11.1)
3/4	Disc. (503-708-001)	564351 (503-709-001)	Ball Bearing	1.87 (47.6)	2.18 (55.5)	1.75 (44.4)	5.37 (136.5)	0.93 (23.8)	0.50 (12.7)
1	— (503-710-001)	564352 (503-711-001)	Ball Bearing	2.25 (57.1)	2.59 (65.8)	2.00 (50.8)	6.25 (158.7)	1.18 (30.1)	0.56 (14.2)

*Maximum Pressure is 1500 psi

†Available with Viton seals

Note: Equivalent millimeter dimension appears in parentheses next to decimal figure in inches

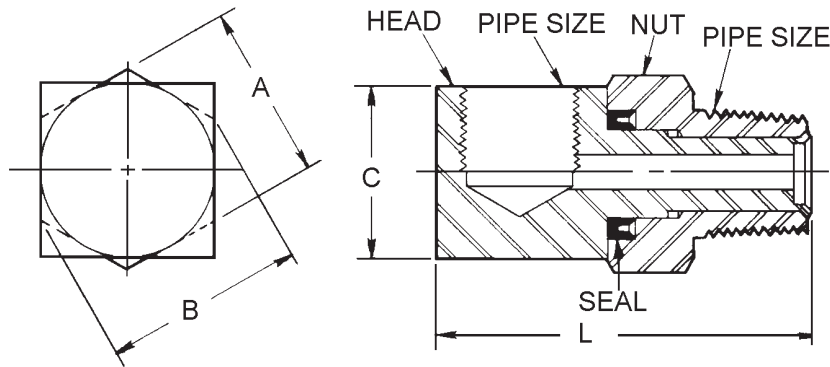
COMPACT SWIVELS

The light duty Compact Swivels are manufactured without ball bearings and are not intended for rotary, or oscillating movement. They should be used only for positioning a connection, or where occasional movement is required. Maximum pressure is 500 psi. Part number 563148 (501-257-000) is also available in type 303 stainless steel as part number 563149 (501-257-190).



Straight

Angle



Pipe Size in Inches	Part No. (Old)		Dimensions in (mm)			
	90° Angle	180° Straight	Nut A	Nut B	Head C	Length L
1/8†	563148 (501-257-000)	563150 (501-258-000)	0.56 (14.2)	0.65 (16.6)	0.56 (14.2)	1.12 (28.5)
1/4	563146 (501-255-000)	563147 (501-256-000)	0.75 (19.0)	1.06 (26.9)	0.75 (19.0)	1.62 (41.2)

†Available with Viton seals

Note: Millimeter dimension appears in parentheses next to decimal figure in inches

Look to GRACO, INC., for all of your Centralized Lubrication System needs.

Products include:

DIVIDER VALVES: for oil and grease...to 7500 PSI... 1 to 24 points from a single valve assembly...up to 256 points from a Master/Secondaries circuit...or systems that handle an entire plant.

PUMPS: fixed and variable displacement...manual and air, hydraulic, electric motor or mechanically driven.

TIMERS/AUTOMATIC CONTROLS: from simple on/off to complete flow and pressure monitoring, either time or machine-actuated.

ACCESSORY VALVES: balancing, check and flow.

INDICATORS: performance and broken line

ACCESSORIES: fittings, brackets, clamps, filters and strainers.

Graco endorses the SAE recommendation of ISO 18/14 (ISO 4406) oil cleanliness for most bearing applications. Some high speed bearings may require cleaner oil. Consult the bearing manufacturer for recommendation.

All written and visual data contained in this document are based on the latest product information available at the time of publication. Graco reserves the right to make changes at any time without notice.

Contact us today!

To receive product information or talk with a Graco representative, call 800-533-9655 or visit us online at www.graco.com.

