



Ported ModuFlo Intermediate Base Plate Component Assembly

313830D
EN



Important Safety Instructions

Read all warnings and instructions in this manual.
Save these instructions.

Part Nos.:

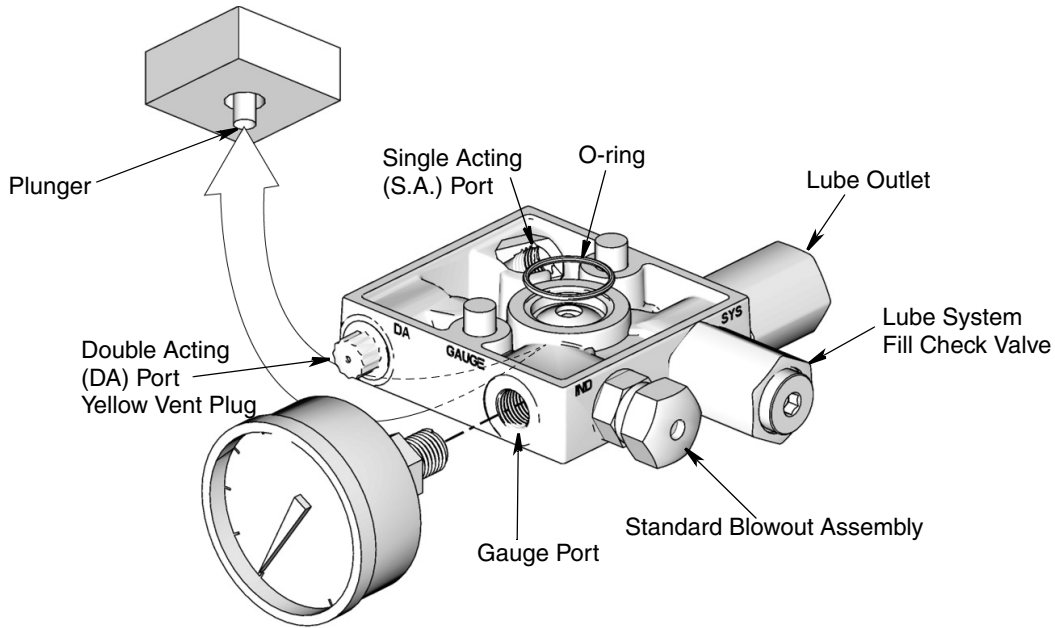
563323, 563330 - Wall Mount (NPT)

563324, 563331, 563333- Reservoir to Pump (NPT)

563355 - Reservoir to Pump (SAE)

563357 - Reservoir to Pump (BSPP)

Port Name	Function
DA (Double Acting)	Single Acting Model Pumps: Port is fitted with plastic vent orifice plug so air can be exhausted on piston return stroke. Double Acting Model Pumps: Port has air or hydraulic supply connected to it. Fluid directed to this port causes the pump to retract to the loading position.
Gauge	Port for attaching a pressure gauge to indicate pump output pressure. This port is common to the LUBE OUT port.
IND	Port for attaching a blowout or pressure indicating assembly. This allows lubrication lines to be filled by an outside source of lubricant so that the pump does not cycle excessively when filling the system.
SYS FILL	Port for attaching an inlet check valve. This allows the lubrication lines to be filled by an outside source of lubricant so that the pump does not cycle excessively when filling the system.
LUBE OUT	Port the system being lubricated is connected to. An outlet check valve is installed here.
SA (Single Acting)	Port has a pneumatic or hydraulic supply source connected to it. Fluid directed to this port causes pump to dispense.

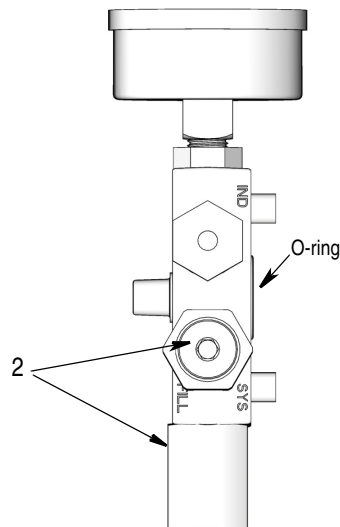
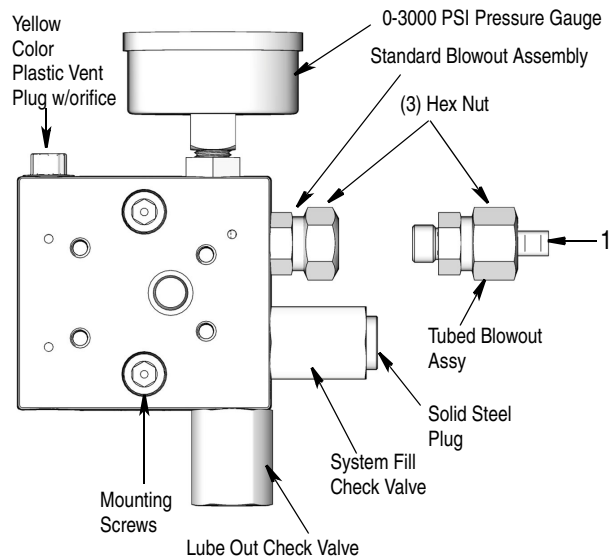


Parts

Ref	Description	Model
1	1/4 inch hole	563323
		563324
		563355
	1/8 inch - 27 NPTF	563330
		563331
		563333
1/8 inch - 28 BSPP	563357	
2	1/4 inch - 18 NPT	563323
		563324
		563330
		563331
		563333
	9/16 inch - 18 SAE	563355
1/4 inch - 19 BSPP (ISO 1179-0 ports)	563357	

PSI (bar)*		Color Code	Part No.
900	(62.0)	Black	557431
1175	(81.0)	Green	557432
1450	(99.9)	Yellow	557433
1750	(120.7)	Red	557434
2050	(141.4)	Orange	557435
2350	(162.0)	Aluminum	557436
2650	(182.6)	Pink	557437
2950	(203.0)	Blue	557438
3250	(220.1)	Purple	557439

Manifold Port Sizes	
Model Number	Manifold Port
563323 563324 563330 563331 563333	1/4 inch - 18 NPT
563355	9/16 inch - 18 SAE
563357	1/4 inch - 19 BSPP



Instructions

NPT Models

- Tighten connections securely.
- Use PTFE tape or pipe sealant.

BSPP and SAE Models

- Tighten all connections securely.
- Do NOT use pipe sealant or PTFE tape.

All Models

- Spare yellow discs (1450 psi., [100 bar, 10 MPa]) supplied in bag. Tighten hex nut to 5 ft lbs (6.7 N-m) when replacing.

*Discs up to 2,350 PSI (162.0 bar) have a tolerance of ± 500 psi (34.5 bar). Discs greater than 2350 PSI (162.0 bar) have a tolerance of $\pm 20\%$.

Graco Information

For the latest information about Graco products, visit www.graco.com.

TO PLACE AN ORDER, contact your Graco distributor or call to identify the nearest distributor.

Phone: 612-623-6928 or **Toll Free:** 1-800-533-9655, **Fax:** 612-378-3590

*All written and visual data contained in this document reflects the latest product information available at the time of publication.
Graco reserves the right to make changes at any time without notice.*

For patent information, see www.graco.com/patents.

Original instructions. This manual contains English. MM 313830

Graco Headquarters: Minneapolis

International Offices: Belgium, China, Japan, Korea

GRACO INC. AND SUBSIDIARIES • P.O. BOX 1441 • MINNEAPOLIS MN 55440-1441 • USA

Copyright 2009, Graco Inc. All Graco manufacturing locations are registered to ISO 9001.

www.graco.com

Revised July 2012