

# E-Series Lube Packages



## Description

The basic Trabon® E Series Lube package consists of a positive displacement, single-acting pneumatic pump and a reservoir for either oil or grease.

The pump options are offered with either a standard fixed-output of 0.030 in<sup>3</sup> (0.491 cm<sup>3</sup>) or an adjustable output of 0.010-0.030 in<sup>3</sup> (0.160-0.491 cm<sup>3</sup>) per stroke. Maximum rated operating pressure is 2,000 psi (138 bar). The standard fixed-output pump includes a 1,750 psi (121 bar) high pressure rupture disc assembly\*. Both pumps include a built-in lube outlet check valve.

The reservoir options are offered for either oil up to 30,000 SUS or for grease up to NLGI #2. Either pump option may also be used on any Modu-Flo reservoir (see form # L12000 for complete list of Modu-Flo reservoir options).

Available accessories include low level switch, pressure gauge, and 3-way pneumatic solenoid.

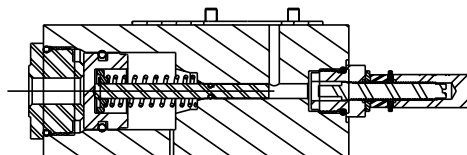
## Feature/Benefits

- Simplicity of pump design ensures long-lasting dependability. The pump's only moving parts are the air and lube pistons and spring, plus the check valve ball and spring.
- Standard fixed-output pump includes 1,750 psi (121 bar) high pressure rupture disc assembly to prevent downstream high pressure conditions from damaging the pump. Optional discs, with a variety of pressure ratings, are also available.\*
- Fast, simple installation. The pump mounts to the bottom of the reservoir, the low level switch assembly mounts to top of reservoir, and the pressure gauge accessory threads into a port on the side of the fixed-output pump. The entire assembly is mounted with two screws through holes provided in the reservoir mounting bracket.

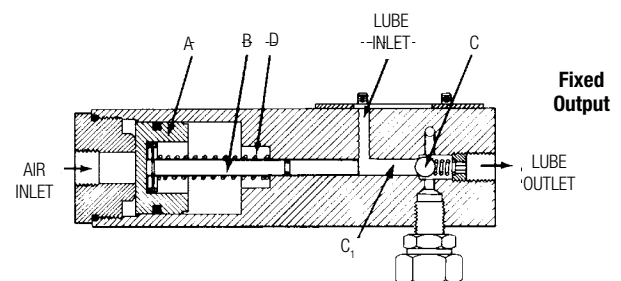
\*2350 psi rupture disk included with 563363 and 563364.

## Operation

Air under pressure from a central supply enters the air inlet on the pump. The air piston (A) and the lube piston (B) are moved to the right by this air under pressure. This forces the lubricant from the chamber (C1) through the check valve (C) and out into the distribution system. When the air supply is vented, the piston spring (D) returns the air and lube pistons (A and B) to their original position. The ball check spring closes the check valve. The return of the pistons to their original position opens the inlet for oil or grease to enter chamber (C1) and prime the pump for the next stroke.



Adjustable Output



Specifications	
Pump Body Material	Aluminum
Lubricant	Oil up to 30,000 SUS or grease up to NLGI #2
Standard pump Fixed-Output per Stroke	0.030 in <sup>3</sup> (0.491 cm <sup>3</sup> )
Adjustable pump Output per Stroke	0.010-0.030 in <sup>3</sup> (0.160-0.491 cm <sup>3</sup> )
Pump Ratio	20:1
Air Pressure	40-150 psi (3-10 bar)
Air Volume to Operate per Stroke	0.85 in <sup>3</sup> (13.9 cm <sup>3</sup> )
Recommended Lube Pressure (max)	2000 psi (138 bar)
High Pressure Protection – Rupture Disc	1750 psi (121 bar) 2350 psi (162 bar) (563363, 563364)
Cycle Rate (max)	10 cpm (grease), 30 cpm (light oil)
Reservoir Material	Plastic and Steel
Reservoir Capacity	
Oil	4-20 pints (1.89-9.45 liters)
Grease	3-20 lbs (1.36-9.04 kg)
Low Level Switch	
Oil	10 Watts @ 120 VAC (resistive), 1/4 amp SPST, or 15 amp, 120 VAC (resistive), 1/2 amp SPDT
Grease	SPDT, 15 amps @ 120, 240 and 480 VAC, 1/2 amp @ 120 VDC, or 1/4 amp @ 240 VDC
Mounting Screw Torque	
Rectangular Plastic Oil Reservoir	20 in lbs
Cylindrical Reservoir	8-11 ft lbs

Ordering Information		
Description	Part No.	Old Part No.
<b>Assemblies with Fixed Output Pump</b>		
E-Series with 3 lb reservoir with low level switch and pressure gauge	563365	521-300-921
E-Series grease pump and 6 lb reservoir package	563363	521-300-660
E-Series grease pump, 6 lb reservoir, and low level switch package	563364	521-300-670
E-Series oil pump and 4 pint reservoir package	563361	521-300-370
E-Series oil pump, 4 pint reservoir, and low level switch package	563362	521-300-380
<b>Components</b>		
Standard fixed-output E-Series pump	563358	521-300-180
Adjustable output E-Series pump*	563367	521-301-000
<b>Oil Reservoirs</b>		
4 pint rectangular plastic (1.89 liter)	563359	521-300-190
5 pint cylindrical plastic (2.36 liter)	562891	185-100-080
6 pint cylindrical plastic (2.84 liter)	562904	185-100-750
12 pint cylindrical plastic (5.67 liter)	562889	185-100-060
20 pint cylindrical plastic (9.45 liter)	562890	185-100-070
<b>Grease Reservoirs</b>		
3 lb cylindrical plastic (1.36 kg)	562910	185-101-080
5 lb cylindrical (2.26 kg)		
Plastic	562888	185-100-040
Metal	564264	185-100-050
6 lb cylindrical (2.71 kg)		
Plastic	562905	185-100-760
Metal	562906	185-100-770

12 lb cylindrical (5.42 kg)		
Plastic	562884	185-100-000
Metal	562886	185-100-020
20 lb cylindrical (9.04 kg)		
Plastic	562885	185-100-010
Metal	562887	185-100-030

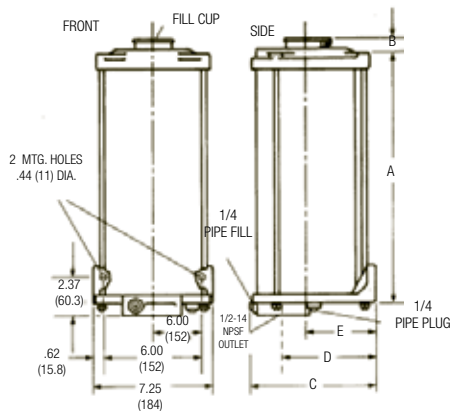
Low Level Options (not available for 3 lb cylindrical reservoir)		
4 pint rectangular, oil	563378	521-500-890
6 pint cylindrical, oil (15 amp)	563318	521-001-050
5 and 12 pint cylindrical, oil (15 amp)	563316	521-001-030
20 pint cylindrical, oil (15 amp)	563317	521-001-040
All grease reservoirs (15 amp)	563322	521-001-110
6 pint cylindrical, oil (10 watt)	563014	456-010-171
5 and 12 pint cylindrical, oil (10 watt)	563015	456-010-172
20 pint cylindrical, oil (10 watt)	563016	456-010-173

Accessories (for field installation)		
Pressure gauge, 3000 psi (207 bar)	557864	543-362-000
Pressure gauge adaptor**	556415	412-330-020
3-way modular pneumatic valve		
115 VAC	563315	521-001-020
24 VDC	563332	521-002-100
Pump repair kit (fixed output)	563909	560-001-210
Pump repair kit (adjustable E pump)	563945	560-002-973
Replacement blowout disc		
Yellow, 1450 psi	557433	509-292-000
Aluminum, 2350 psi	557436	509-295-000

\*Adjustable output pump is not fitted with rupture disc assembly.

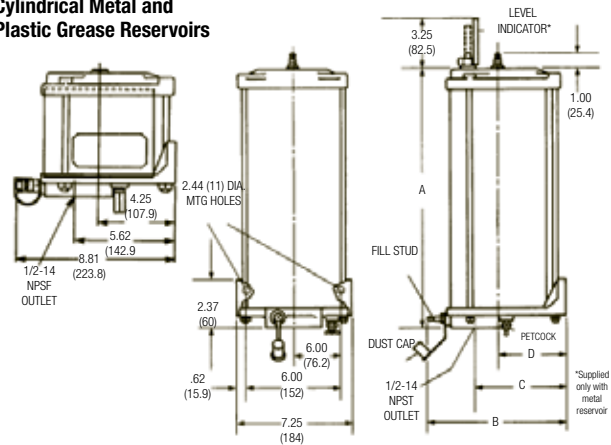
\*\*Both gauge and adaptor must be ordered for field installation of the pressure gauge.

### Cylindrical Plastic Oil Reservoirs



Size	A	B	C	D	E
5-Pint	15.00 (381)	.62 (15.9)	5.81 (148)	3.80 (96.4)	3.50 (88.9)
6-Pint	10.50 (267)	.75 (19.1)	7.50 (191)	5.62 (143)	4.25 (108)
12-Pint	15.00 (381)	.75 (19.1)	7.50 (191)	5.62 (143)	4.25 (108)
20-Pint	22.00 (559)	.75 (19.1)	7.50 (191)	5.62 (143)	4.25 (108)

### Cylindrical Metal and Plastic Grease Reservoirs



Size	Actual Cap.	A	B	C	D
3-lb.	3 lb.	6.88 (174.8)	8.81 (224)	5.62 (143)	4.25 (103)
5-lb.	2.7	15 (381)	7.25 (184)	3.62 (92.1)	2.50 (63.5)
6-lb.	2.6	10.5 (267)	8.81 (224)	5.62 (143)	4.25 (108)
12-lb.	5.8	15 (381)	8.81 (224)	5.62 (143)	4.25 (108)
20-lb.	11.8	22 (559)	8.81 (224)	5.62 (143)	4.25 (108)

Contact us today!

To receive product information or talk with a Graco representative, call 800-533-9655 or visit us online at [www.graco.com](http://www.graco.com).

