

Lubricant Filters and Strainers

DESCRIPTION

Graco's Trabon and Manzel lubricant filters are available in a variety of configurations, pressure ratings, and filtering capabilities. They are typically used for removing potentially harmful contaminants from the lubricant before they are dispensed into the lubrication points.

FILTRATION REQUIREMENTS

Proper filtration of the lubricant is essential to avoid system and equipment damage. Some machine components, such as high speed bearings, may require higher levels of lubricant filtration than others. Graco's filters are available in several efficiency and pressure ratings to satisfy a variety of system filtration requirements. It is recommended that the oil in any Series-Progressive lubrication system be maintained at a level less than or equal to an ISO 18/14 rating. The machine tool manufacturer should be consulted for his recommendations regarding the proper lubricant, as well as the minimum filtration level required, for the machine's various rotating and moving components.

OPERATION

Graco filters can be installed in reservoir-fill lines as well as in the lubrication system's pump output line in order to maximize lubricant cleanliness, and thereby minimize machine down-time caused by lubricant contamination of vital machine moving parts. Additional specialized filters are also available from Graco for use on down-stream lubrication system componentry to serve as a final filter that removes any particles that may dislodge from the walls of the lubricant distribution lines.



PART NO. (OLD)	TYPE	MAX PRESSURE RATING - PSI	PORTS	REPLACEMENT FILTER ELEMENT	MICRON RATING
----------------	------	---------------------------	-------	----------------------------	---------------

IN-LINE OIL FILTERS

563091 (473-000-234)	MSP Standard Inlet (NPT)	3500 (241 bar)	1/4-1/8 NPTF	Not Replaceable	10
563094 (473-000-265)	MSP Standard/Zero-Leak/Shunt Valve Inlets (NPT) Filter – Oil	3500 (241 bar)	1/4-1/8 NPTF	Not Replaceable	90
563073 (463-410-180)	MSP Zero-Leak & Shunt Valves (SAE) Inlet Filter – Oil	3500 (241 bar)	9/16-18 SAE	Not Replaceable	90
564342 (473-000-290)	MSP Standard Inlet & Zero-Leak Valve (BSPP) Filter – Oil	3500 (241 bar)	1/4-19 BSPP	Not Replaceable	90
563480 (527-005-760)	MSP Divider Assembly Modular Oil Filter Section	3000 (207 bar)	–	Not Replaceable	25

CARTRIDGE OIL FILTERS (EQUIPPED W/ "HF2" REPLACEMENT ELEMENT)

564003 (183-100-000)	Single Element w/Electrical & Visual Indicator	3000 (207 bar)	3/4-14 BSPP (ISO1179)	556032 (183-100-106)	20
564004 (183-100-001)	Single Element w/Electrical & Visual Indicator	3000 (207 bar)	3/4-14 BSPP (ISO1179)	556031 (183-100-105)	10
564005 (183-100-002)	Single Element w/Electrical & Visual Indicator	3000 (207 bar)	M27 x 2 (ISO6149)	556031 (183-100-105)	10
564006 (183-100-003)	Single Element w/Electrical & Visual Indicator	3000 (207 bar)	M27 x 2 (ISO6149)	556032 (183-100-106)	20
562880 (183-100-004)	Single Element w/Electrical & Visual Indicator	3000 (207 bar)	1-1/16-12 SAE (ISO11926)	556031 (183-100-105)	10
564007 (183-100-005)	Single Element w/Electrical & Visual Indicator	3000 (207 bar)	1-1/16-12 SAE (ISO11926)	556032 (183-100-106)	20
562881 (183-100-006)	Single Element w/Visual Indicator	3000 (207 bar)	3/4-14 BSPP (ISO1179)	556031 (183-100-105)	10
564008 (183-100-007)	Single Element w/Visual Indicator	3000 (207 bar)	3/4-14 BSPP (ISO1179)	556032 (183-100-106)	20
564009 (183-100-008)	Single Element w/Visual Indicator	3000 (207 bar)	M27 x 2 (ISO6149)	556031 (183-100-105)	10
564010 (183-100-009)	Single Element w/Visual Indicator	3000 (207 bar)	M27 x 2 (ISO6149)	556032 (183-100-106)	20
562882 (183-100-010)	Single Element w/Visual Indicator	3000 (207 bar)	1-1/16-12 SAE (ISO11926)	556031 (183-100-105)	10
562883 (183-100-011)	Single Element w/Visual Indicator	3000 (207 bar)	1-1/16-12 SAE (ISO11926)	556032 (183-100-106)	20

PART NO. (OLD)	TYPE	MICRON RATING	PART NO. (OLD)	TYPE	MICRON RATING
----------------	------	---------------	----------------	------	---------------

CARTRIDGE OIL REPLACEMENT FILTER ELEMENTS

557803 (540-271-001)	Dual Element – Standard Length	10	557803 (540-271-001)	Single Element – Standard Length	10
557804 (540-272-001)	Dual Element – Standard Length	25	557804 (540-272-001)	Single Element – Standard Length	25
557803 (540-271-001)	Dual Element – Standard Length – No Bypass	10	557807 (540-275-001)	Dual Element – Extra Long Length No Bypass	25
557804 (540-272-001)	Dual Element – Standard Length – No Bypass	25	557803 (540-271-001)	Single Element – Standard Length	10
557806 (540-274-001)	Dual Element – Extra Long Length	10	557804 (540-272-001)	Single Element – Standard Length	25
557807 (540-275-001)	Dual Element – Extra Long Length	25	557806 (540-274-001)	Single Element – Extra Long Length	10
557806 (540-274-001)	Dual Element – Extra Long Length – No Bypass	10	557807 (540-275-001)	Single Element – Extra Long Length	25
557807 (540-275-001)	Dual Element – Extra Long Length – No Bypass	25			

PART NO. (OLD)	TYPE	MAX PRESSURE RATING - PSI	PORTS	REPLACEMENT FILTER ELEMENT	MICRON RATING
-------------------	------	------------------------------	-------	----------------------------------	------------------

SPIN-ON OIL FILTERS

563095 (473-000-271)	Assembly w/External 150 psi Relief Valve	200 (14 bar)	3/4 NPT	563093 (473-000-262)	10
563096 (473-000-275)	Assembly w/External 150 psi Relief Valve	200 (14 bar)	3/4 NPT	563097 (473-000-276)	25
— (473-000-282)	Assembly w/External 150 psi Relief Valve	200 (14 bar)	1-1/16-12 SAE	563097 (473-000-276)	25
563099 (473-000-310)	Assembly w/External 150 psi Relief Valve	200 (14 bar)	3/4 BSPP	563097 (473-000-276)	25
563100 (473-000-311)	Assembly w/External 150 psi Relief Valve	200 (14 bar) (ISO6149)	M27 x 2	563097 (473-000-276)	25

OIL AND GREASE STRAINERS

563102 (473-020-468)	Oil/Grease – Fill-Point Strainer	3000 (207 bar)	1/4-18 NPTF	557153 (473-020-465)	149 (100 Mesh)
563103 (473-020-469)	Oil Only – Fill-Point Strainer	3000 (207 bar)	1/4-18 NPTF	557154 (473-020-466)	40 (325 mesh)
563145 (500-585-001)	Oil/Grease – Block Strainer	2000 (138 bar)	1/4-18 NPTF	557779 (529-093-000)	350 (40 mesh)

IN-LINE OIL AND GREASE STRAINERS – HIGH PRESSURE

563507 (527-100-380)	Oil/Grease	7500 (517 bar)	1/4-18 NPTF	557700 (525-766-010)	149 (100 mesh)
563508 (527-100-390)	Oil Only	7500 (517 bar)	1/4-18 NPTF	557701 (525-766-015)	40 (325 mesh)
Disc. (527-100-750)	Oil/Grease	7500 (517 bar)	9/16-18 SAE	557700 (527-766-010)	149 (100 mesh)
Disc. (527-100-760)	Oil Only	7500 (517 bar)	9/16-18 SAE	557701 (525-766-015)	40 (325 mesh)
564406 (527-101-130)	Oil/Grease	7500 (517 bar)	1/4-19 BSPP	557700 (527-766-010)	149 (100 mesh)

IN-LINE OIL FILTERS – HIGH PRESSURE

563511 (527-100-581)	In-Line Filter	7500 (517 bar)	1/4-18 NPTF	563509 (527-100-540)	10
563512 (527-100-591)	In-Line Filter	7500 (517 bar)	1/4-18 NPTF	563510 (527-100-550)	25
563513 (527-100-780)	In-Line Filter	7500 (517 bar)	9/16-18 SAE	563509 (527-100-540)	10
563514 (527-100-790)	In-Line Filter	7500 (517 bar)	9/16-18 SAE	563510 (527-100-550)	25
563516 (527-101-120)	In-Line Filter	7500 (517 bar)	1/4-19 BSPP	563509 (527-100-540)	10
563515 (527-100-830)	In-Line Filter	7500 (517 bar)	1/4-19 BSPP	563510 (527-100-550)	25
Disc. (527-101-224)	In-Line Filter	7500 (517 bar)	14 MM x 1.5 (ISO6149)	563510 (527-100-550)	25

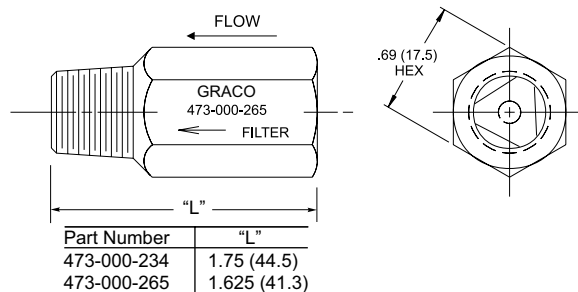
IN-LINE OIL FILTER – LOW PRESSURE – THRIF-T LUBER ORIFICE SYSTEM

564053 (473-000-232)	In-Line Filter	500 (34 bar)	1/8-27 NPSF	557132 (473-000-231)	25
-------------------------	----------------	--------------	-------------	-------------------------	----

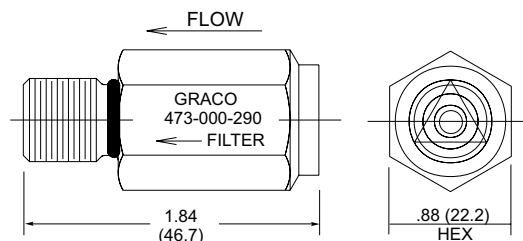
SERIES-PROGRESSIVE DIVIDER VALVE INLET FILTERS

These in-line inlet filters are designed to fit into the NPT, SAE, or BSPP inlet ports of MSP Series-Progressive divider valve assembly standard inlet sections for the purpose of filtering the incoming lubricant a final time before entering the proportioning valve mechanisms.

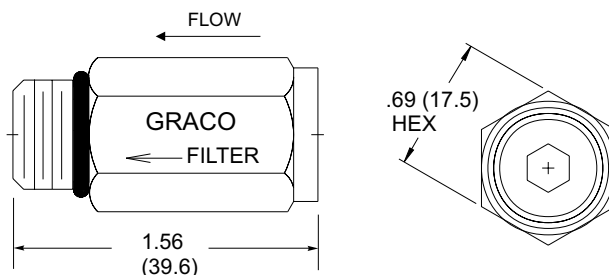
MSP STANDARD INLET W/ NPT PORTS	
Filter: 563091 (473-000-234)	
Inlet Threads (English)	1/4-18 NPSF
Outlet Threads (English)	1/4-18 NPTF
Filtration Rating (Nominal)	10 micron
Filter Element	Not Replaceable
Filter: 563094 (473-000-265)	
Inlet Threads (English)	1/4-18 NPSF
Outlet Threads (English)	1/4-18 NPTF
Filtration Rating (Nominal)	90 micron
Filter Element	Not Replaceable



MSP STANDARD INLET W/ BSPP PORTS	
Filter: 564342 (473-000-290)	
Inlet Threads (English)	1/4-19 BSPP
Outlet Threads (English)	1/4-19 BSPP
Filtration Rating (Nominal)	90 micron
Filter Element	Not Replaceable



MSP ZERO-LEAK & SHUNT VALVES	
Inlet Filter: 563073 (463-410-180)	
Inlet Threads (English)	9/16-18 SAE
Outlet Threads (English)	9/16-18 SAE
Filtration Rating (Nominal)	90 micron
Filter Element	Not Replaceable



MODULAR FILTER SECTION FOR MSP DIVIDER VALVE

DESCRIPTION

The MSP Modular Filter Section is a high-pressure, in-line oil-only filter which prevents solid contaminants as small as 25 micron from entering the modular MSP Zero-Leak Valve, if used, MSP working sections, and downstream lubrication points. This filter is designed to trap contaminants introduced downstream of the outlet filter which may affect the operation of critical lube system components or contaminate the bearings and other lube points.

Its two-piece construction includes a base block and a replaceable filter block containing the 25 micron filter element. The base block is compatible with the MSP stackable sub-plate design. It is installed as the first section within the divider valve stack of metering valve sections, the entire assembly secured by tie rods.

A pressure-differential indicator is included to indicate when the modular filter section should be replaced.

FEATURES/BENEFITS

- The filter provides additional filtering protection from contaminants when installed immediately upstream of the new MSP Modular inlet and/or especially Zero-Leak Valve Sections; usage is recommended in conjunction with each Zero-Leak Section.
- The capability to include the MSP Modular Filter Section within the divider valve stack eliminates the need for separate mounting and plumbing connections.
- The base block/filter block design allows the removal and replacement of the MSP Modular Filter Section without breaking line connections and introducing air or other contamination into the lubrication lines.
- A filter section can be used during initial purging and cleaning of a new system, then replaced with a clean filter section for normal operation.
- The pressure-differential indicator/monitor detects filter blockage and encourages filter replacement to prevent interference with normal system operation.

OPERATION

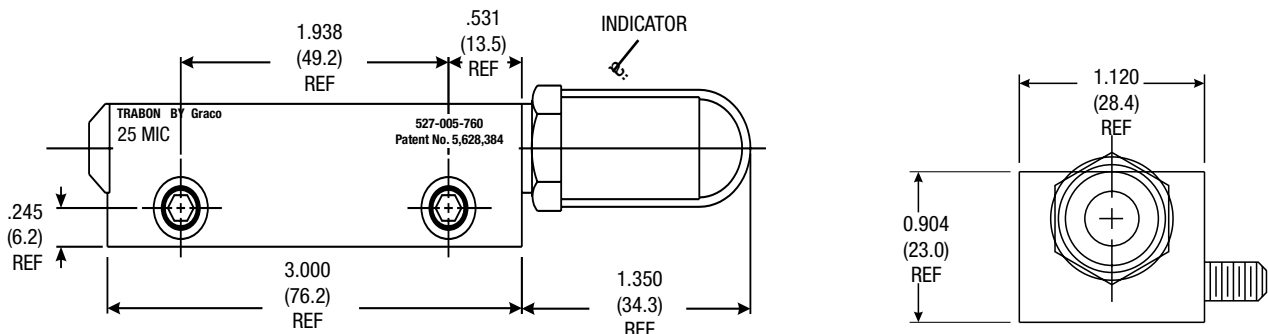
The filter section is ported so that all oil entering the inlet must pass through the filter. Filter elements are replaced via replacement of the entire Modular Filter Section Block.

A spring-loaded sensing piston within the filter block operates in a bore which connects the inlet side of the filter element with the outlet side. As the pressure difference between the inlet side and the outlet side increases due to accumulation of filtered contaminants, the pressure differential overcomes the spring force and the piston shifts position. The cleanliness state of the filter is visually indicated by a red indicator pin.

When the indicator pin is extended, the entire used filter section must be replaced with a new one. Since there is no bypass or relief, increasing back pressure will be generated by the dirty filter until it is replaced.

SPECIFICATIONS	
Standard Material	Plated Steel
Max Pressure	3000 psi (207 bar)
Max Oil Flow Rate	9 cu.in. per min
Filtration Rating	25 microns nominal $\beta_{25} = 2.0$ (50% Efficiency) $\beta_{50} = 7.0$ (86% Efficiency)
Lubricant	ISO VGA 32-220
Torque	
Filter Block Mounting Screw	P/N: 556513 (419-140-070) 8-9 ft lbs

ORDERING INFORMATION		
Description	Part No.	Old Part No.
MSP Modular Filter Base Section	563479	527-005-740
MSP Modular Filter Block	563480	527-005-760



DESCRIPTION

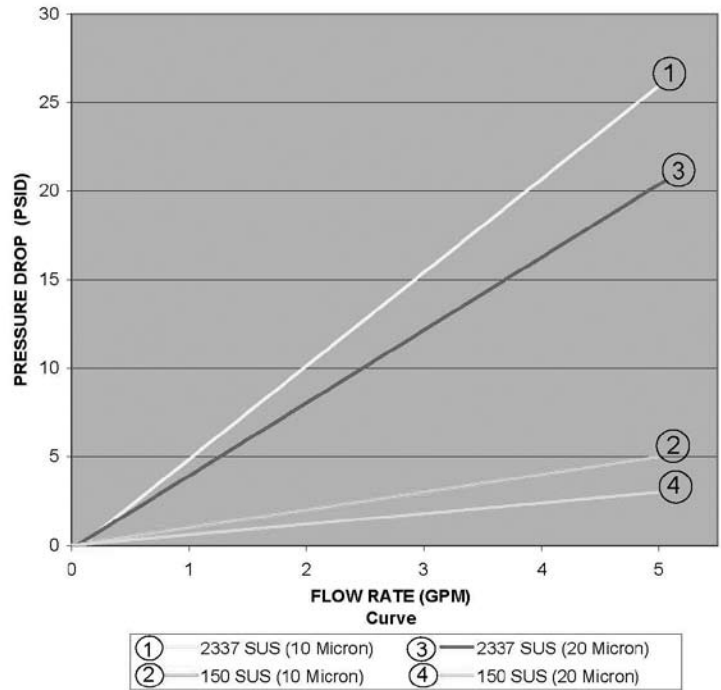
Trabon® Single Cartridge Type Filter assemblies are available with 10 or 25 microglass "HF2" designed filtration elements for oil lubrications systems with up to 3 gpm and operating pressures up to 3000 psi steady state. Filter assemblies are available with either Visual only or combination Visual/Electrical element condition indicators.

FEATURES

- "HF2" Filter element designed for lower pressure drop and easier replacement.
- Non-Bypass designed for maximizing dirt hold capacity and protection of lube system from contamination.
- Visual or Electrical indication of element condition.
- 1 1/6-12 SAE, 3/4" BSPP (ISO1179), or M27x2 (ISO6149) port options.

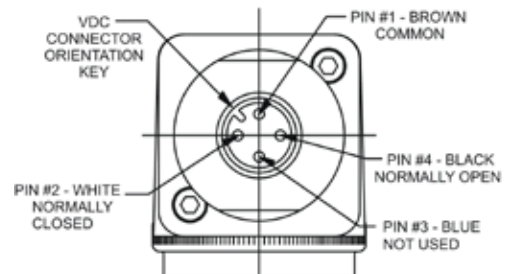


Flow vs. Pressure Loss



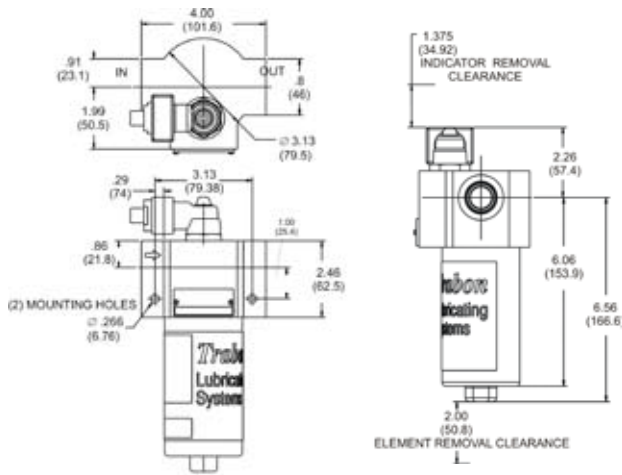
SPECIFICATIONS	
Pressure Ratings	
Max Allowable Operating Pressure	3000 psi (207 bar)
Rated Fatigue Pressure	2000 psi (138 bar)
Design Safety Factor	3:1
Operating Temperature	
Fluorocarbon	-15°F to 275°F (-26°C to 135°C)
Element Collapse Rating	350 psi (24.1 bar)
Materials	
Bowl	Impacted Aluminum (anodized 6061-T6)
Head	Extruded Aluminum (anodized 6061-T6)
Element Condition Indicators	
Visual (Optional)	360° green/red
Electrical/Visual (Option)	5A @ 240 VAC, 3A @ 28 VDC
Weights (approx)	3.5 lb (1.6 kg)

**Electrical Indicator Pin details
M12x1 Micro**



DIMENSIONS

(Inches (mm))



SINGLE & DUAL CARTRIDGE TYPE FILTER REPAIR KITS AND REPLACEMENT CARTRIDGES

ORDERING INFORMATION		
Description	Part No.	Old Part No.
Filter Repair Kits for Single Filter Assemblies		
*Standard Filter w/Quad Ring Seal	Disc.	560-002-840
Standard Filter w/O-Ring Seal	Disc.	560-002-850
*Extra Length Filter w/Quad Ring Seal	Disc.	560-002-860
Extra Length Filter w/O-Ring Seal	Disc.	560-002-870
Filter Repair Kits for Dual Filter Assemblies		
*Standard Dual Filter w/Quad Ring Seal	Disc.	560-002-880
Standard Dual Filter w/O-Ring Seal	564440	560-002-890
*Extra Length Dual Filter w/Quad Ring Seal	564441	560-002-900
Extra Length Dual Filter w/O-Ring Seal	564442	560-002-910
Replacement Cartridges for All Current and Obsolete Filter Assemblies		
10-micron Standard, 3.75 (95)	557803	540-271-001
10-micron Extra Length, 9.75 (248)	557806	540-274-001
25-micron Standard, 3.75 (95)	557804	540-272-001
25-micron Extra Length, 9.75 (248)	557807	540-275-001
50-micron Standard, 3.75 (95)	557805	540-273-001
50-micron Extra Length, 9.75 (248)	557808	540-276-001
1-2 micron Standard, 3.75 (95)	-	540-690-001
1-2 micron Extra Length, 9.75 (248)	557811	540-686-001
*For older design with separate tube and end cap.		

SINGLE & DUAL CARTRIDGE TYPE FILTERS

ORDERING INFORMATION		
Description	Part No.	Old Part No.
Single Filter Assembly w/Electrical & Visual Indicators		
20 micron Element w/ 3/4 in BSPP, ISO1179 ports	564003	183-100-000
10 micron Element w/ 3/4 in BSPP, ISO1179 ports	564004	183-100-001
10 micron Element w/ M27 x 2, ISO6149 ports	564005	183-100-002
20 micron Element w/ M27 x 2, ISO6149 ports	564006	183-100-003
10 micron Element w/ 1-1/16-12 SAE, ISO11926 ports	562880	183-100-004
20 micron Element w/ 1-1/16-12 SAE, ISO11926 ports	564007	183-100-005
Single Filter Assembly w/Visual Indicator Only		
10 micron Element w/ 3/4 in BSPP, ISO1179 ports	562881	183-100-006
20 micron Element w/ 3/4 in BSPP, ISO1179 ports	564008	183-100-007
10 micron Element w/ M27 x 2, ISO6149 ports	564009	183-100-008
20 micron Element w/ M27 x 2, ISO6149 ports	564010	183-100-009
10 micron Element w/ 1-1/16-12 SAE, ISO11926 ports	562882	183-100-010
20 micron Element w/ 1-1/16-12 SAE, ISO11926 ports	562883	183-100-011
Available Spare Parts		
Filter Bowl O-Ring	556029	183-100-103
Filter Bowl	556030	183-100-104
10 micron Element	556031	183-100-105
20 micron Element	556032	183-100-106
Visual Indicator, 50 psi differential	556033	183-100-108
Electrical/Visual Indicator, 50 psi differential	556034	183-100-109
Mounting Bracket (2 required)	-	521-010-967

MOUNTING INSTRUCTIONS

1. Mount the filter assembly securely to a flat surface, and in an upright position. Two mounting holes are provided as shown in dimensional drawings.
2. Be certain to allow adequate room for removal for inspection or replacement of the filter element or indicator. Refer to dimensional drawings for required space.
3. Seal all connections.

DO NOT USE PTFE TYPE TAPE

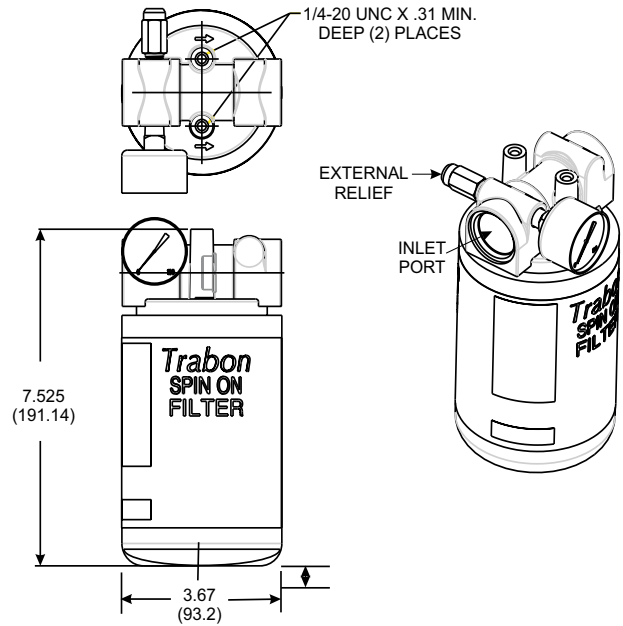
SPIN ON FILTER ASSEMBLY

DESCRIPTION

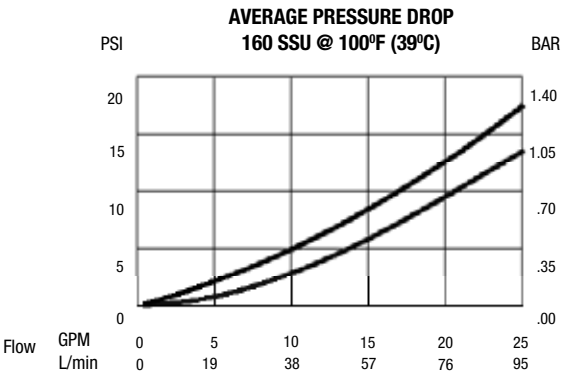
The Trabon Spin On Filter Assemblies incorporate inexpensive and easy maintenance filters for applications up to 20 GPM (76 L/min.). Trabon's Spin On Filter is designed to provide high flow capacity filtration for filling oil tanks. It can also be used for lower flow suction line applications and return lines. It is compatible with petroleum-based oil in mobile and industrial equipment. A minimum of 3/4" clearance is needed below the unit for removal and replacement of the cartridge.

OPERATION

Contaminated oil enters the inlet port and permeates the filtering medium causing contaminants to be trapped on its outer surface. Filtered oil then passes through the outlet port. The filter assemblies with external relief valve protect the element against line surges and high differential pressure due to contamination. Most important it prevents contamination from entering the reservoir.



SPECIFICATIONS	
Operating Pressure	150 psi (10 bar) Max
Operating Temperature	250°F (121°C) Max
Standard Seals	Buna-N
Element Area	450 in ³ (2903 cm ³)
Beta Rating	
10 micron Filter Element	$\beta_{10} = 2.2$ $\beta_{20} \Rightarrow >100$
25 micron Filter Element	$\beta_{30} = 4$



ORDERING INFORMATION

Description	Part No.	Old Part No.
10 Micron Spin On Filter Ass'y with External 150 PSI Relief (3/4" NPT Ports)	563095	473-000-271
25 Micron Spin On Filter Ass'y with External 150 PSI Relief (3/4" NPT Ports)	563096	473-000-275
25 Micron Spin On Filter Ass'y with External 150 PSI Relief (1-1/16 - 12 SAE Ports)	-	473-000-282
25 Micron Spin On Filter Ass'y with External 150 PSI Relief (3/4" BSPP Ports)	563099	473-000-310
25 Micron Spin On Filter Ass'y with External 150 PSI Relief (M27X2 Ports)	563100	473-000-311
0-160 PSI Gauge (1/8" NPT)	Disc.	493-020-249
150 PSI External Relief Valve (1/8" NPT)	563162	508-310-015
Filter Mounting Bracket	558927	521-010-440
Replacement Filter Element, 10 Micron	563093	473-000-262
Replacement Filter Element, 25 Micron	563097	473-000-276

LUBRICANT STRAINERS

Strainers are available in Block-Type and Y-Type configurations and are typically utilized in heavy oil and grease lubrication systems for protecting pumps, divider valves, and machine tool components.

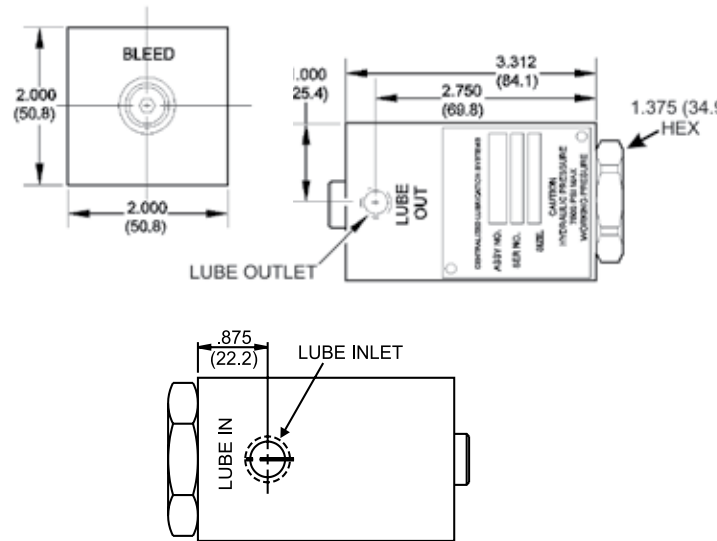
Easily installed in new or existing lubrication systems, they can protect the entire system including the pump against contaminants. If they are used to protect the entire system, they should be located at the reservoir fill point. In this case, pressure filling will be required. If a strainer is to protect only the divider valve, it should be installed just downstream of the pump discharge.

DESCRIPTION

These Trabon strainers are simple, compact, durable and feature readily removable, cleanable, and replaceable filtering screens.

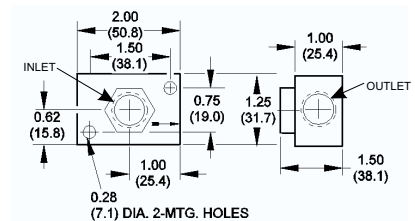
STEEL BLOCK STRAINER WITH BLEED PORT	
Rated Pressure	7500 psi (517 bar)
Net Weight (approx.)	3 lbs (1.4 kg)

ORDERING INFORMATION		
Description	Part No.	Old Part No.
Grease Strainer with 100-mesh (149 micron) screen 9/16-18 SAE Ports	Disc.	527-100-750
Grease Strainer with 100-mesh (149 micron) screen 1/4 NPTF Ports	563507	527-100-380
Grease Strainer with 100-mesh (149 micron) screen 1/4 BSPP Ports	564406	527-101-130
Grease Strainer with 100 mesh (149 micron) screen ISO 6149 (M14x1.5) ports	563517	527-101-255
Replacement 100-mesh screen for above	557700	525-766-010
Oil Strainer with 325-mesh (40 micron) screen 9/16-18 SAE Ports	Disc.	527-100-760
Oil Strainer with 325-mesh (40 micron) screen 1/4 NPTF Ports	563508	527-100-390
Replacement screen for above	557701	525-766-015



STEEL BLOCK GREASE STRAINER	
Rated Pressure	2000 psi (138 bar)
Thread Size	1/4 in female pipe
Net Weight (approx.)	0.625 lbs (0.283 kg)

ORDERING INFORMATION		
Description	Part No.	Old Part No.
Block strainer with 40-mesh (350 micron) screen	563145	500-585-001
Replacement screen for above	557779	529-093-000

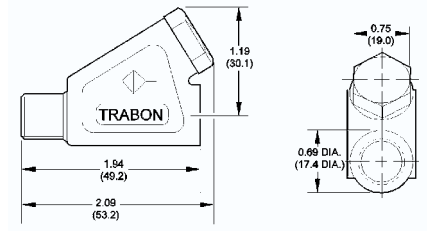


BRASS FILL POINT STRAINER W/ REMOVABLE ELEMENT

Rated Pressure	3000 psi (207 bar)
Thread Size	1/4 NPT
Net Weight (approx.)	2 oz (0.06 kg)

ORDERING INFORMATION

Description	Part No.	Old Part No.
Grease Strainer with 100-mesh (149 micron) screen	563102	473-020-468
Replacement screen for above	557153	473-020-465
Oil Strainer with 325-mesh (44 micron) screen	563103	473-020-469
Replacement screen for above	557154	473-020-466

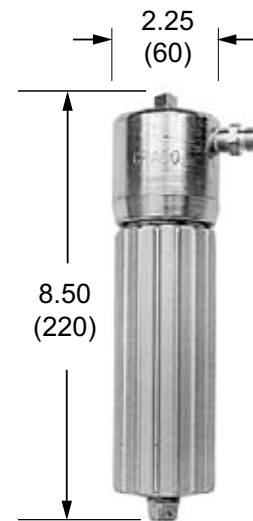


GREASE STRAINER W/ REMOVABLE ELEMENT

Rated Pressure	3000 psi (207 bar)
Port Size	3/8 NPT(F) inlet, 1/4 NPT(F) outlet

ORDERING INFORMATION

Description	Part No.	Old Part No.
Grease strainer with 60 mesh element	558942	527-101-257
Replacement 60 mesh element (3 pack)	-	527-101-258



HIGH - PRESSURE IN-LINE OIL FILTERS

DESCRIPTION

The Graco High Pressure Line Filter is designed for hydraulic or oil lubrication systems with pressures up to 7,500 psi (510 bar). It removes particles from systems larger than 10 or 25 microns and reduces downtime for a system due to inadequate filtering or contaminated lubricant.

FEATURE/BENEFITS

- Replaceable filter assembly.
- Simple and compact in design.
- Easy to install on any new or existing system.
- Filter assembly can be changed without disturbing piping or tubing.
- Filter is permanently mounted to end plug, ensuring system operation only with filter element installed in line.
- Integral air-bleed port for installation and maintenance convenience.
- Non-bypass design

OPERATION

Install the filter in the output line of the pump to provide filtration of the oil entering the system. The oil passes through the filter assembly from the inlet port to the outlet port. Recommended mounting position is with the bleed port on top. See outline drawing with mounting dimensions on page 15.

This filter is designed to allow contaminated filter elements to be changed without removing existing piping or tubing. Simply remove the used filter assembly and replace with a new clean assembly. Refer to the drawing on page 15.

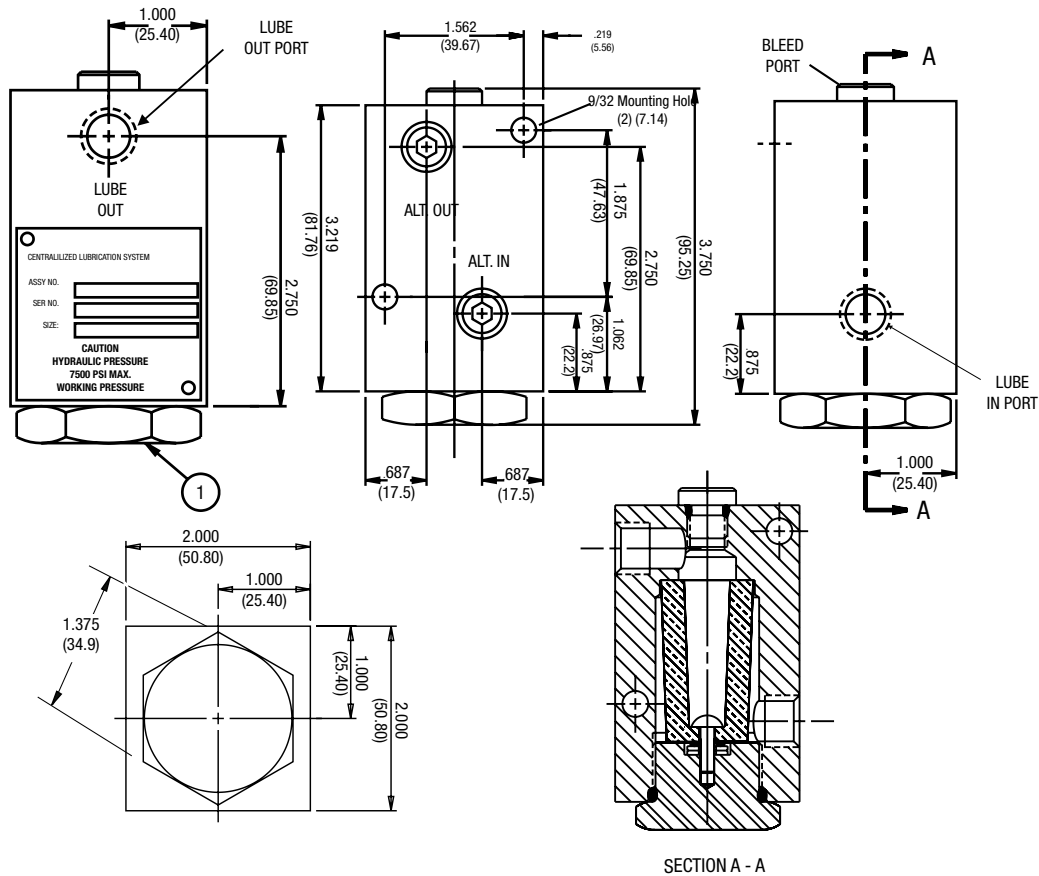
NOTE: Do not attempt to replace filter assembly with any residual pressure in system.

SPECIFICATIONS	
Body Material	Plated Steel
Filter Rating (Nominal Filtration)	10 or 25 microns
Max Pressure	7500 psi (510 bar)
Net Weight (approx.)	3 lbs (1.4 kg)



ORDERING INFORMATION		
Description	Part No.	Old Part No.
Filter Assembly w/10 micron Filter Element		
1/4-18 NPTF Inlets/Outlets (Filtration Ratios: $\beta_{10} = 7$; $\beta_{25} = 390$)	563511	527-100-581
9/16-18 SAE O-Ring Inlets/Outlets (Filtration Ratios: $\beta_{10} = 7$; $\beta_{25} = 390$)	563513	527-100-780
1/4-19 BSPP Inlets/Outlets (Filtration Ratios: $\beta_{10} = 7$; $\beta_{25} = 390$)	563516	527-101-120
14 mm x 1.5 (ISO 6149) (Filtration Ratios: $\beta_{10} = 7$; $\beta_{25} = 390$)	Disc.	527-101-223
Filter Assembly w/25 micron Filter Element		
1/4-18 N.P.T.F. Inlets/Outlets (Filtration Ratios: $\beta_{25} = 4$; $\beta_{50} = 138$)	563512	527-100-591
9/16-18 SAE O-Ring Inlets/Outlets (Filtration Ratios: $\beta_{25} = 4$; $\beta_{50} = 138$)	563514	527-100-790
1/4-19 BSPP Inlets/Outlets (Filtration Ratios: $\beta_{25} = 4$; $\beta_{50} = 138$)	563515	527-100-830
14 mm x 1.5 (ISO 6149) (Filtration Ratios: $\beta_{25} = 4$; $\beta_{50} = 138$)	Disc.	527-101-224

DIMENSIONS Inches (mm)



ORDERING INFORMATION

Description	Part No.	Old Part No.
End Plug, Filter Assembly w/10 micron Filter Element	563509	527-100-540
End Plug, Filter Assembly w/25 micron Filter Element	563510	527-100-550

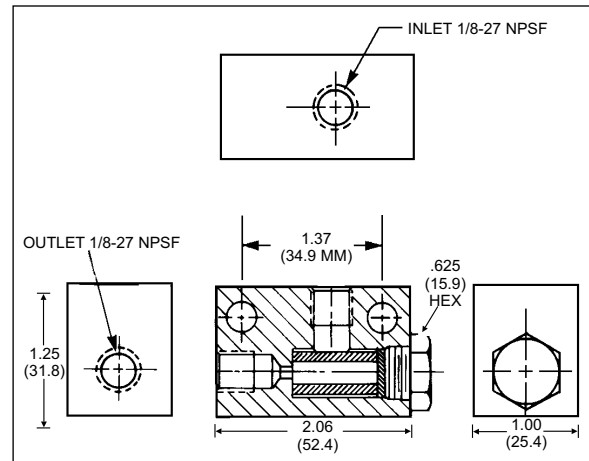
Note: Alternative inlet and outlet ports are not furnished on 1/4-18 NPTF ported units.

THRIF-T LUBER LOW-PRESSURE IN-LINE OIL FILTER

In-Line Filter - Helps keep contaminants that get past the pump's screen/strainer from clogging orifice filters. Comes complete with filter body, 25-micron filter element, gaskets and closure plug. Rated for 500 psi maximum operating pressure.

ORDERING INFORMATION

Description	Part No.	Old Part No.
Model TLLF-00	564053	473-000-232
Replacement Element	557132	473-000-231
Replacement Plug Gasket	557311	500-130-000



All written and visual data contained in this document are based on the latest product information available at the time of publication. Graco reserves the right to make changes at any time without notice.

Contact us today!

To receive product information or talk with a Graco representative, call 800-533-9655 or visit us online at www.graco.com.

