

G3 4L, 8L, 12L or 16L Grease Reservoir Conversion Kit

3A1260B

EN

Instructions for replacing the 2L G3 reservoir, stirring paddle, and o-rings with a 4L, 8L, 12L or 16L reservoir, stirring paddle and o-rings. For professional use only.

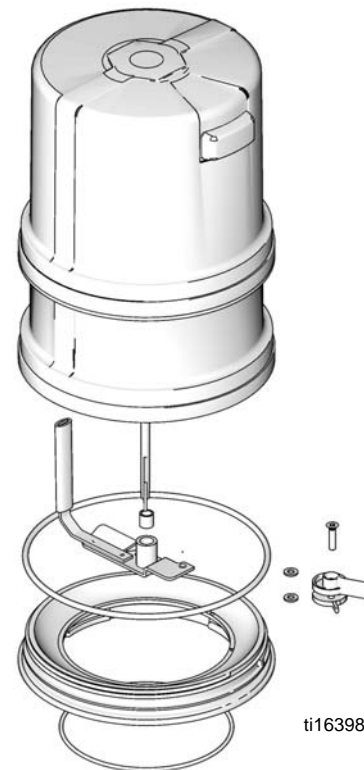
Grease Reservoir Upsize and Paddle Kits:

- 571155 - 4L Grease Reservoir
- 571156 - 8L Grease Reservoir
- 571157 - 12L Grease Reservoir
- 571158 - 16L Grease Reservoir






Important Safety Instructions

Read all warnings and instructions in this manual and the G3 Pump instruction manual included with your unit. Save these instructions.



Instructions

Pressure Relief

						
SKIN INJECTION HAZARD						
High-pressure fluid from dispense device, hose leaks, or ruptured components will pierce skin. This may look like just a cut, but it is a serious injury that can result in amputation. Get immediate surgical treatment.						
Follow Pressure Relief Procedure in this manual, when you stop dispensing and before cleaning, checking, or servicing equipment.						

Relieve pressure in system by using two wrenches working in opposite directions on pump element and pump element fitting to **only** loosen fitting.

NOTE: When loosening pump element fitting, do NOT loosen **pump element**. Loosening pump element will change the output volume.

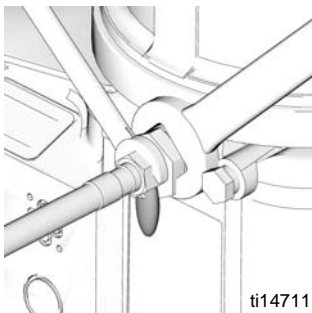




FIG. 1

Disassembly

Reference numbers used in these instructions correspond to parts included in Kit and are provided on the Parts page 8. Parts identified with an alpha character are user provided, already installed components or point out specific parts of the pump to assist you in understanding these instructions.

Reservoir Disassembly

						
---	---	--	--	--	--	--

1. If G3 pump has been in service, disconnect pump from power source and relieve pressure using Pressure Relief Procedure provided.
2. Use a strap wrench around reservoir. Turn reservoir 1/4 counter-clockwise to loosen reservoir (FIG. 2).

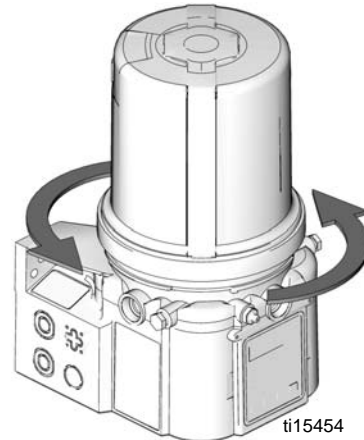


FIG. 2

3. Remove reservoir from G3 base and discard it according to local codes for proper disposal.
4. Examine o-ring (a) for wear or damage.

If o-ring is not worn or damaged, it can be reused and does not need to be replaced.

If o-ring is damaged remove and discard according to local codes for proper disposal and install new o-ring (13) included in kit in groove in rincer plate (b) (FIG. 3).

NOTE: Before installing o-ring (a/13) in base, lightly grease it with the same grease you are using in the pump.

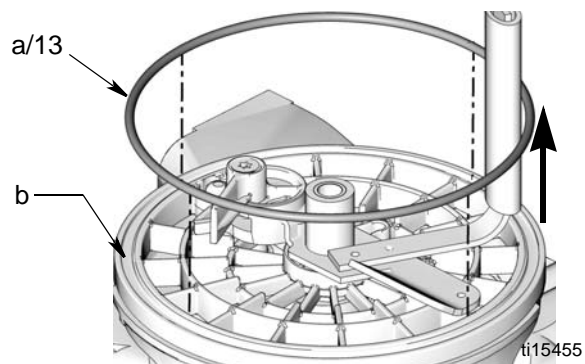


FIG. 3

5. Turn paddle (d) **clockwise** to loosen and remove it from G3 base (FIG. 4).

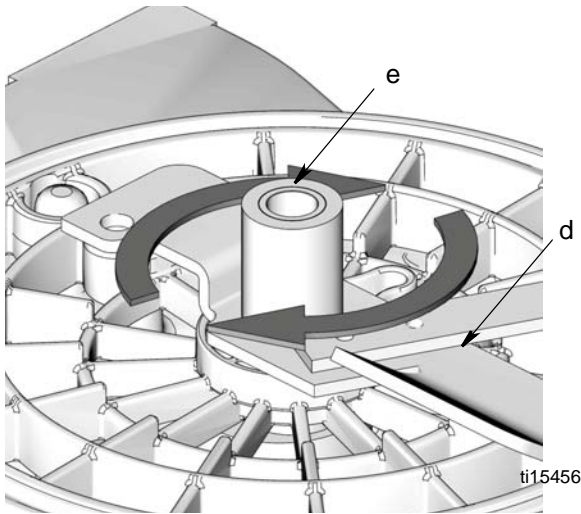


FIG. 4

NOTE: Be careful when removing stirring paddle from G3 that bearing (e) does not fall into the unit.

6. Discard these parts according to local codes for proper disposal.

Reassembly

Always use new parts from kit when available.

1. Insert reservoir adapter (55) over ricer plate (f), aligning arrow (g) stamped into the adapter with circular openings (h) in ricer plate as shown in FIG. 5.

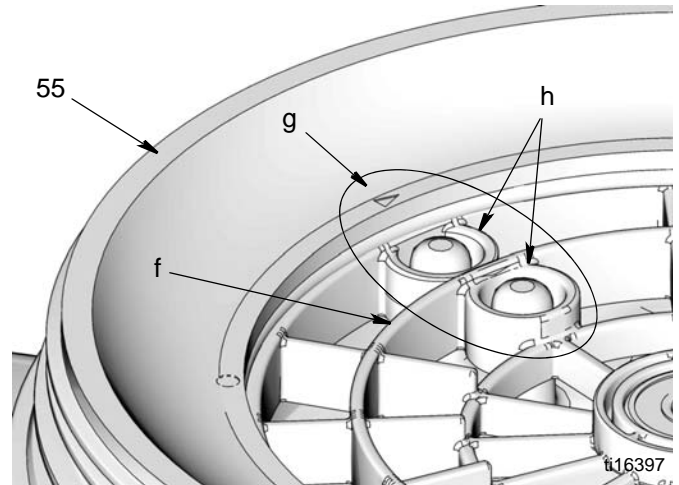


FIG. 5

2. Place a strap wrench around the reservoir adapter (55). Turn the reservoir adapter clockwise until the circle (j) stamped into the reservoir adapter aligns with the two circular openings (h) in the ricer plate (f) as shown in FIG. 6.

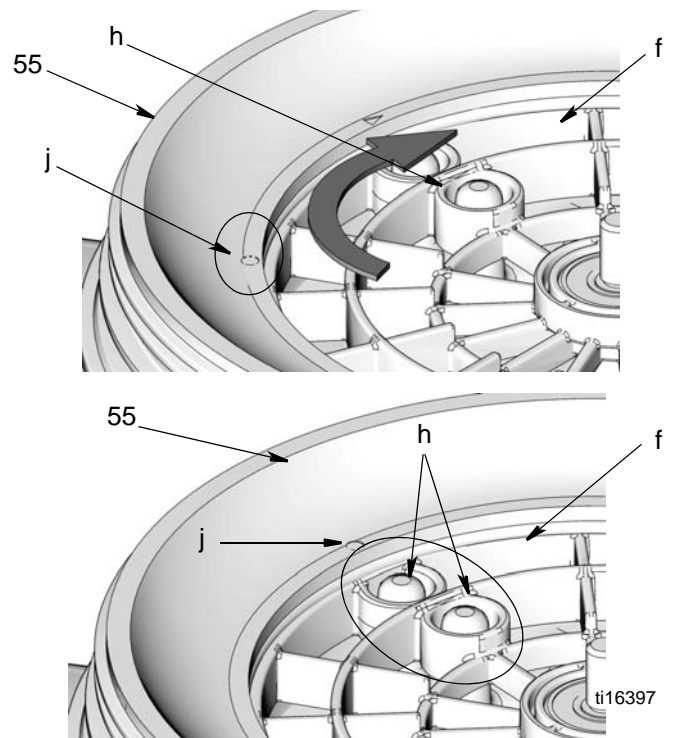


FIG. 6

3. Lightly grease stirring paddle arm (16a) with same grease you are using in the pump (FIG. 7).

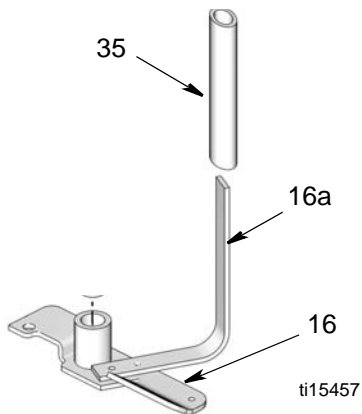


FIG. 7

4. Slide wiper (35) over arm (16a) on stirring paddle (16) (FIG. 7).

NOTE:

- **Do not install a stirring paddle (16) equipped with a low level paddle (23) and the related low level paddle parts (27, 45, 57, 60) on the pump if your pump is NOT configured for a low level paddle.**
- **The low level paddle (23) included in this kit should have been pre-assembled on the stirring paddle (16) prior to shipping. If these parts are not assembled, you must assemble these parts prior to installing the stirring paddle to base. Assembly instructions are provided in Step 5 (a-g).**

Models With a Low Level Paddle (23) ONLY

5. **Step 5 (a - g) are the assembly instructions for installing the low level paddle to the stirring arm. It is only necessary to use these instructions if your paddle was shipped with these parts un-assembled.**

If these parts are assembled, skip this step and continue installation with Step 7, page 6.

If your G3 Pump model does NOT include a low level paddle, skip this step and continue installation with Step 6, page 6.

To assemble low level paddle (23) to stirring paddle (16):

- a. Align washers (60), with hole (a) in the base of the stirring paddle (16). One washer should be on the top of the hole and one on the bottom (underside) as shown in FIG. 8.

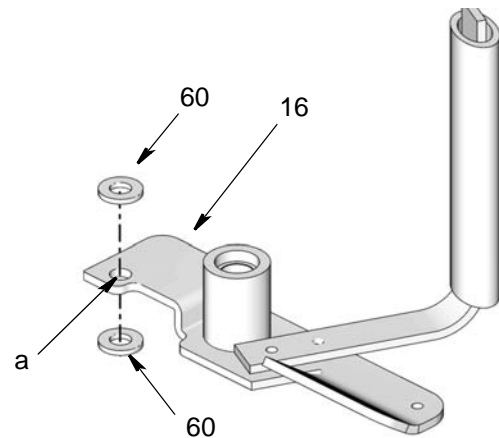


FIG. 8

- b. Examine low level paddle (23). It is designed with a slot / gap on one side.

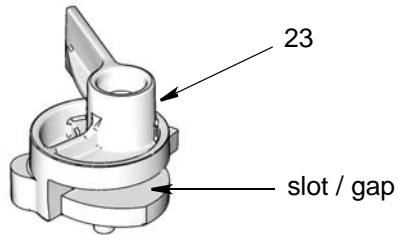


FIG. 9

- c. To correctly assemble the low level paddle (23) to the stirring paddle (16), slide the stirring paddle and washers (60) into the slot / gap (FIG. 10).

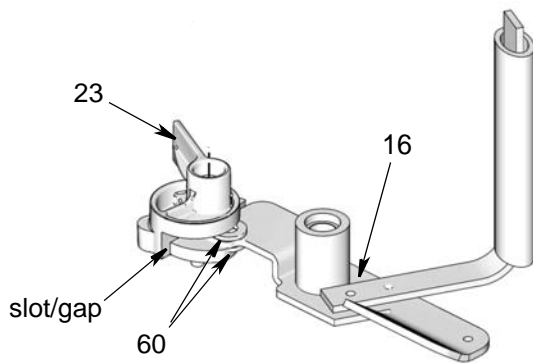


FIG. 10

- d. Align hole (b) in top of low level paddle (23) with hole in center of washers (60) and hole (a) in stirring paddle (16) (FIG. 11).
- e. Insert screw (27), making sure it passes through the low level paddle (23), washers (60) and hole (a) in the base of stirring paddle (16)

(FIG. 11).

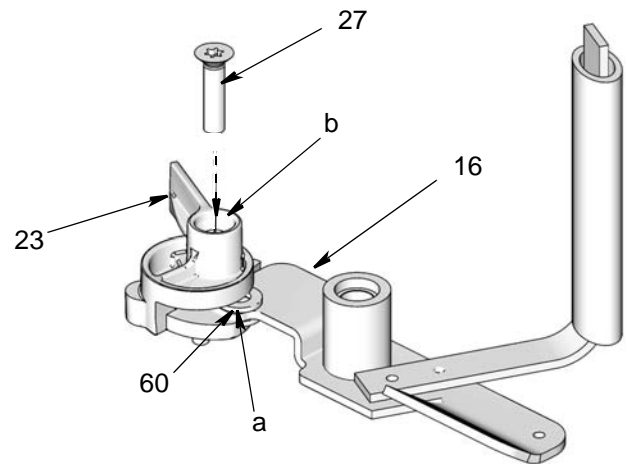


FIG. 11

- f. Using a screwdriver, tighten screw (27). Torque screw to 4 in. lbs (0.45 N•m). The screw should be tight enough to hold low level paddle securely in place while still allowing it to move freely back and forth. It also must not protrude from the bottom of low level paddle (23).

NOTE: Over tightening screw (27) will cause the low level paddle to not function.

- g. Install bearing (57) in paddle (16) as shown in FIG. 12.
- h. Continue installation instructions with Step 7. Step 6 is only for models that are not equipped with a low level paddle.

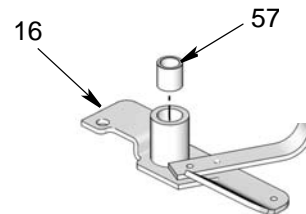


FIG. 12

Models without low level paddle only:

6. **Step 6 (a - b) is for G3 Pumps that are not equipped with a low level paddle. If your G3 Pump model includes a low level paddle, refer to Step 5, page 6.**

a. Remove screw (27) to remove the low level paddle (23) from the stirring paddle (16). Discard paddle (23) washers (60) and screw (27) (FIG. 13).

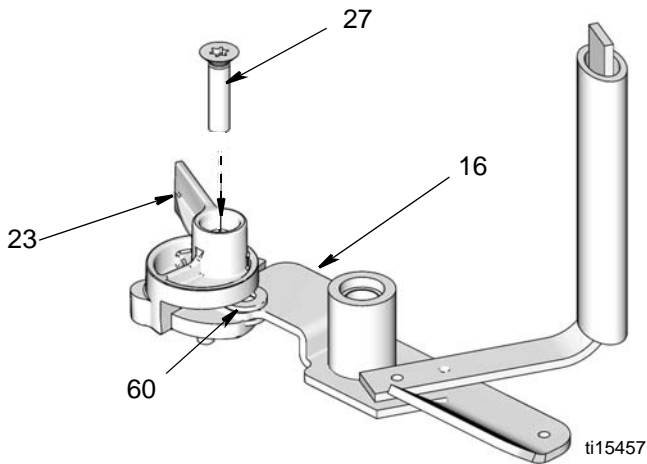


FIG. 13

b. Remove bearing (57) in paddle (16) as shown in FIG. 14. Be careful that bearing does not fall into the G3 pump. Discard bearing (57).

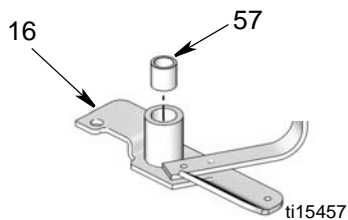


FIG. 14

7. Install stirring paddle (16) in base of G3. Turn paddle **counter-clockwise** until it is tightened securely in place (FIG. 15). (Illustration does NOT show low level paddle.)

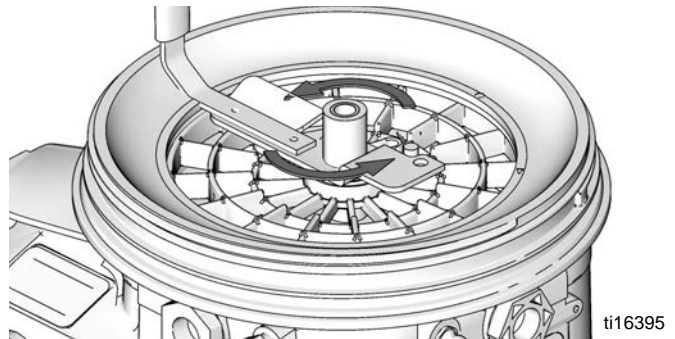


FIG. 15

NOTE: If a low level paddle (23) is installed, to prevent damage, hold low level paddle in its full out position while installing stirring paddle (16) (FIG. 15).

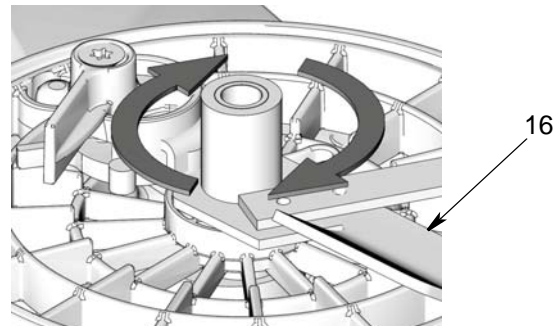


FIG. 16

8. Install o-ring (56) around reservoir adapter (55) as shown in (FIG. 17).

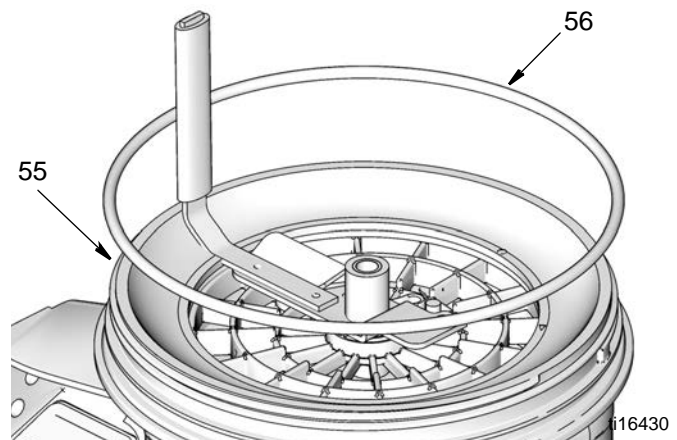


FIG. 17

Reservoir Installation

1. Install low level baffle (45) ends (a) into slots (b) in the top of the reservoir (FIG. 18).

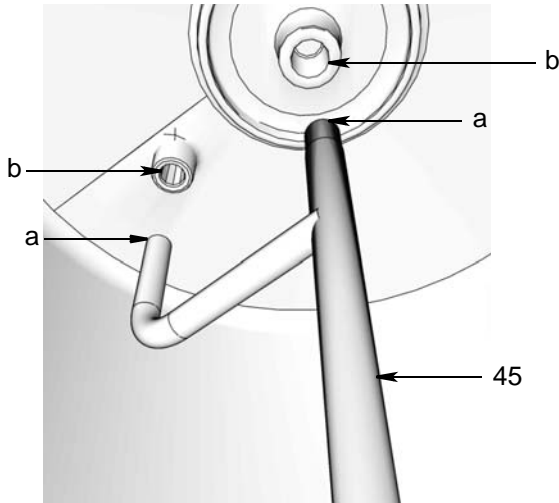


FIG. 18

2. Install reservoir onto adapter. Position strap wrench around lower portion of reservoir as indicated in FIG. 19 and use it to turn the reservoir clockwise to tighten it to the base.

To ensure the reservoir is tightened sufficiently, but not over tightened:

- a. First turn reservoir clockwise one full turn.
- b. Then continue to turn the reservoir clockwise for a second turn until the vent (c) in the reservoir faces the back of the G3 pump and the horizontal lines (d) molded into the reservoir align with the pump outlets (e) on each side of the pump base as shown in FIG. 19.
- c. When reservoir is correctly aligned and tightened to the base you will have turned it approximately 2 full turns.

NOTE: Be careful to not overtighten reservoir.

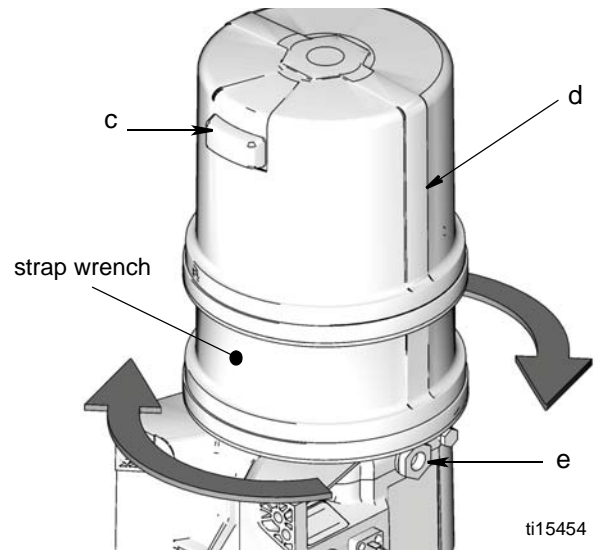
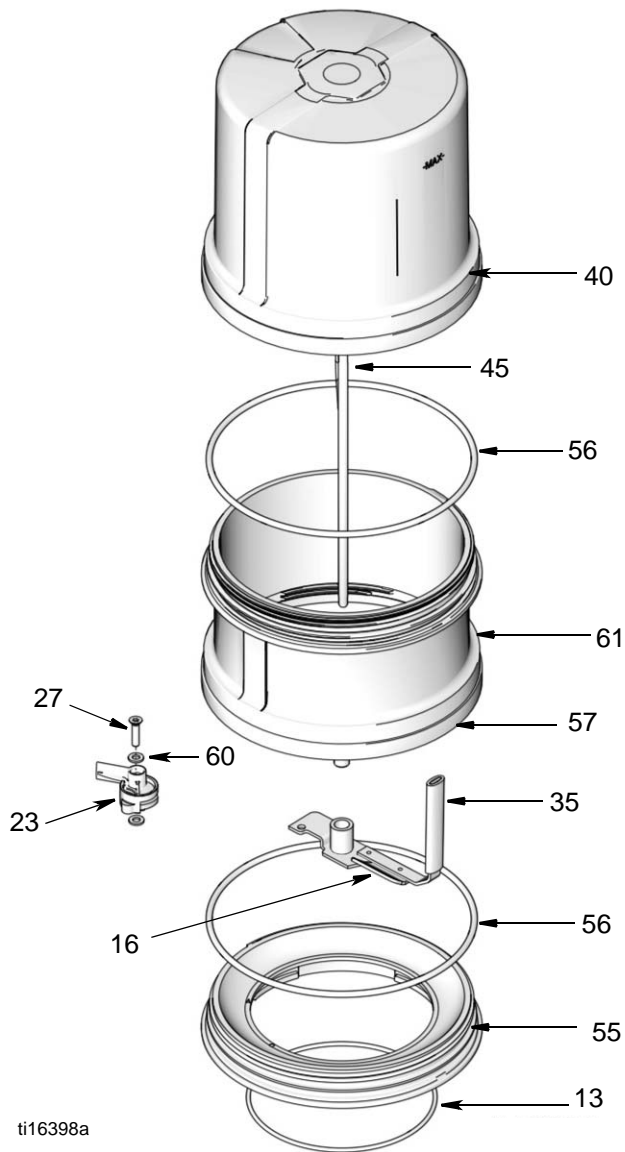


FIG. 19

Parts



FN	Description	Qty
13	SEAL	1
16	WIPER, arm	1
23	PADDLE, low level	1
24	MAGNET, reed sensor (not shown)	1
27	SCREW, M6	1
35	WIPER	1
36	LABEL, brand, G3 (not shown)	1
40	RESERVOIR	1
45	BAFFLE	1
55	ADAPTER, reservoir 2L - 4L, 8L, 12L, or 16L	1
56	SEAL, oval	
	Kit 571155	1
	Kit 571156	2
	Kit 571157	3
	Kit 571158	4
57	BEARING, sleeve	1
60	WASHER, G3, LL	2
61	MID SECTON	
	Kit 571155	0
	Kit 571156	1
	Kit 571157	2
	Kit 571158	3

ti16398a

All written and visual data contained in this document reflects the latest product information available at the time of publication. Graco reserves the right to make changes at any time without notice.

Original instructions. This manual contains English. MM 3A1260

Graco Headquarters: Minneapolis
International Offices: Belgium, China, Japan, Korea
GRACO INC. P.O. BOX 1441 MINNEAPOLIS, MN 55440-1441

Copyright 2010, Graco Inc. is registered to ISO 9001

www.graco.com
 Revised February 2016