

# Ball Stop Kit

406742D

EN

Replaces hose stopper on LD, SD, XD and XD30 Series Hose Reels.

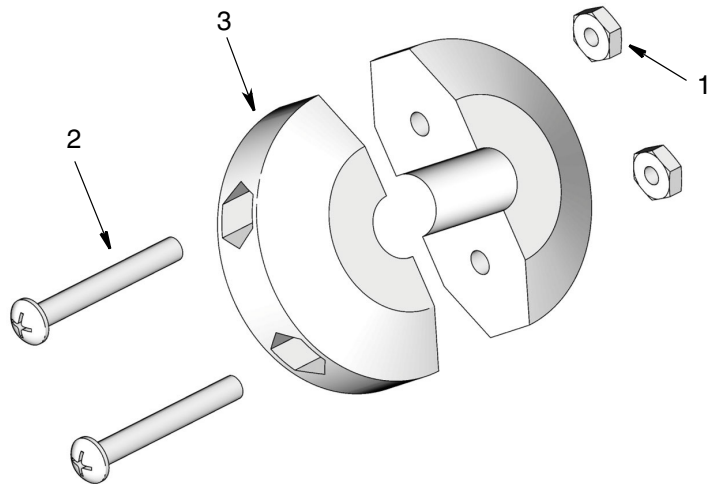
- 218340 - use with 1/4" and 3/8" ID Hose
- 218341 - use with 3/8" and 1/2" ID Hose
- 222225 - use with 1/4" ID Hose or 12 AWG and 2.5 mm<sup>2</sup> Cord
- 237873 - use with 1-1/8" OD Hose
- 237874 - use with 1-3/8" OD Hose
- 24D132 - use with 3/8" ID Hose - XD30 Models Only
- 24D133 - use with 1/2" ID Hose - XD30 Models Only
- 24N538 - use with 1.5 mm<sup>2</sup> Cords
- 24N539 - use with 16 AWG Cords



### Important Safety Instructions

Read all warnings and instructions in manual 313431 for LD, SD, and XD Series Hose Reels or 3A0138 for XD30 Series High Capacity Hose Reels. Save those instructions.

Ref.	Description	Qty.
1	NUT, hex, jam	2
2	SCREW, machine, phillips	2
3	STOP, hose	2



*All written and visual data contained in this document reflects the latest product information available at the time of publication.  
Graco reserves the right to make changes at any time without notice.*

*This manual contains English. MM 406742*

**Graco Headquarters:** Minneapolis

**International Offices:** Belgium, China, Japan, Korea

**GRACO INC. P.O. BOX 1441 MINNEAPOLIS, MN 55440-1441**

Copyright 2009, Graco Inc. is registered to ISO 9001

[www.graco.com](http://www.graco.com)

Revised September 2012