

Grease Pump System

312863C

EN

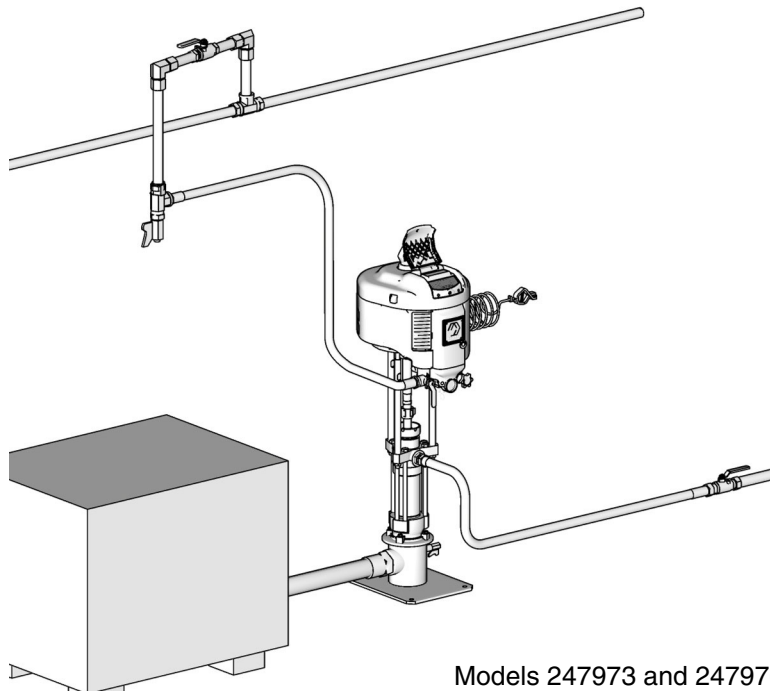


Important Safety Instructions

Read all warnings and instructions in this manual. Save these instructions.

See supplied pump and motor manuals for important Safety and Warnings information and installation, operation and service instructions for those components.

See page 2 for model information, including maximum working pressure.



ti12196a

Models 247973 and 247976 Shown



Models

NOTICE

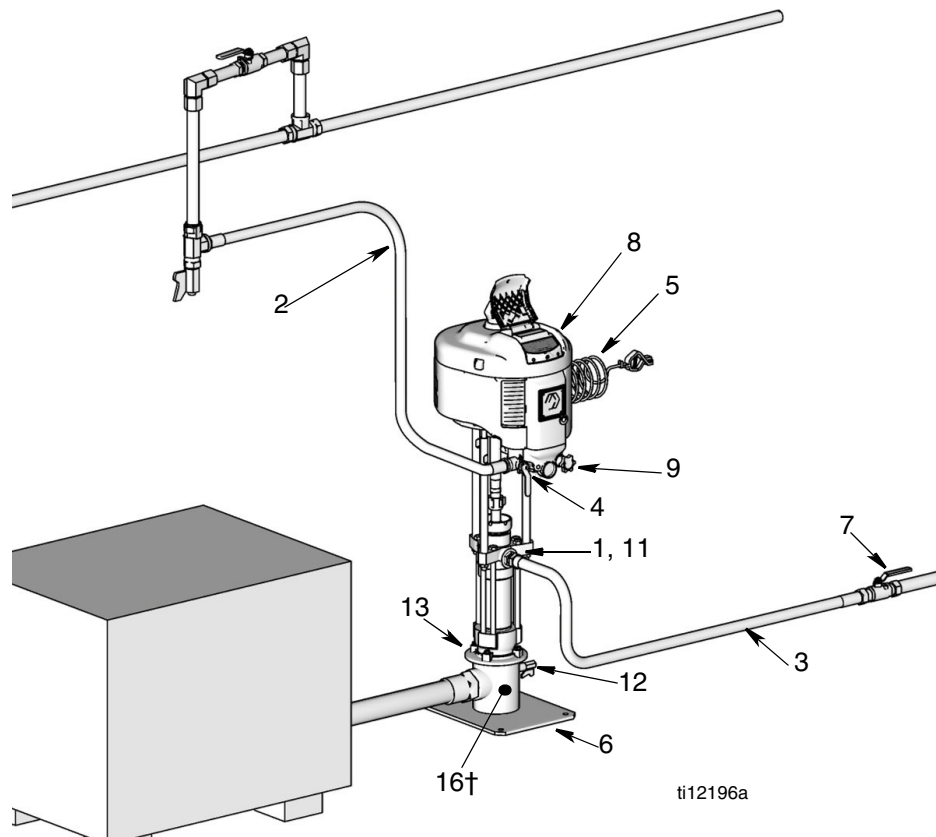
To prevent damage to Data Trak soft key buttons, do not press the buttons with sharp objects such as pens, plastic cards, or fingernails.

Models with Data Trak					Maximum Working Pressure					
					Air			Fluid		
Part No.	Description	NXT Air Motor Size	Lower Size (cc)	Floor Stand or RAM	psi	MPa	bar	psi	MPa	bar
247973	14:1 Check-Mate	3400	500	Floor Stand	100	0.7	7.0	1400	9.6	96.5
247974	29:1 Check-Mate	3400	250	Floor Stand	100	0.7	7.0	2900	20	200
247975	63:1 Check-Mate	3400	100	Floor Stand	72	0.5	4.9	4500	31	310
247976	26:1 Check-Mate	6500	500	Floor Stand	100	0.7	7.0	2600	18	179.2
247977	55:1 Check-Mate	6500	250	Floor Stand	100	0.7	7.0	5500	38	380
247978	68:1 Check-Mate	6500	200	Floor Stand	78	0.54	5.38	5300	36.5	365.4
247979	14:1 Check-Mate	3400	500	RAM	100	0.7	7.0	1400	9.6	96.5
247980	63:1 Check-Mate	3400	100	RAM	72	0.5	4.9	4500	31	310
247981	68:1 Check-Mate	6500	200	RAM	78	0.54	5.38	5300	36.5	365.4

Models without Data Trak, with De-Icing					Maximum Working Pressure					
					Air			Fluid		
Part No.	Description	NXT Air Motor Size	Lower Size (cc)	Floor Stand or RAM	psi	MPa	bar	psi	MPa	bar
24E006	14:1 Check-Mate	3400	500	Floor Stand	100	0.7	7.0	1400	9.6	96.5
24E008	29:1 Check-Mate	3400	250	Floor Stand	100	0.7	7.0	2900	20	200
24E010	63:1 Check-Mate	3400	100	Floor Stand	72	0.5	4.9	4500	31	310
24E007	26:1 Check-Mate	6500	500	Floor Stand	100	0.7	7.0	2600	18	179.2
24E009	55:1 Check-Mate	6500	250	Floor Stand	100	0.7	7.0	5500	38	380
24E011	68:1 Check-Mate	6500	200	Floor Stand	78	0.54	5.38	5300	36.5	365.4

Setup and Parts

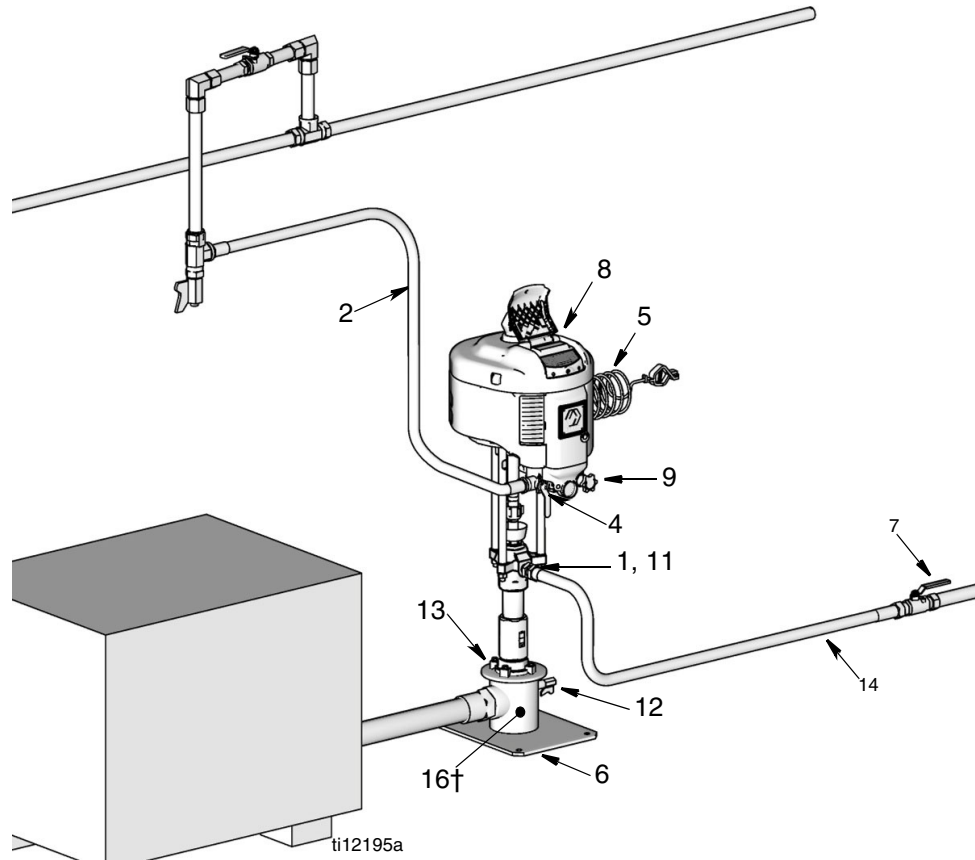
Models: 247973 and 24E006 14:1, 247976 and 24E007 26:1- Floor Stand



Ref. No.	Part No.	Description	Qty.	Ref. No.	Part No.	Description	Qty.
				8	P14MCS PUMP, 14:1, 3400/500 CS SD, model 247973	1	
					P26MCS PUMP, 26:1, 6500/500 CS SD, model 247976	1	
					P14DCS PUMP, 14:1, 3400/500 CS SD, model 24E006	1	
					P26DCS PUMP, 26:1, 6500/500 CS SD, model 24E007	1	
				9	NXT011 CONTROL, air integrated, locking	1	
				11	116650 COUPLING, 1" x 1-1/2"	1	
4	157785	FITTING, air, swivel	1	12	208390 VALVE, ball	1	
5	244524	WIRE, ground, assembly, with clamp	1	13	222776 KIT, repair, mounting (4.5 cm)	1	
6	223952	ADAPTER, pump	1	16†	CE Identification label	1	
7	512152	VALVE, ball, 1" NPT(F), model 247973	1				
	116471	VALVE, ball, 1" FBE, model 247976	1				

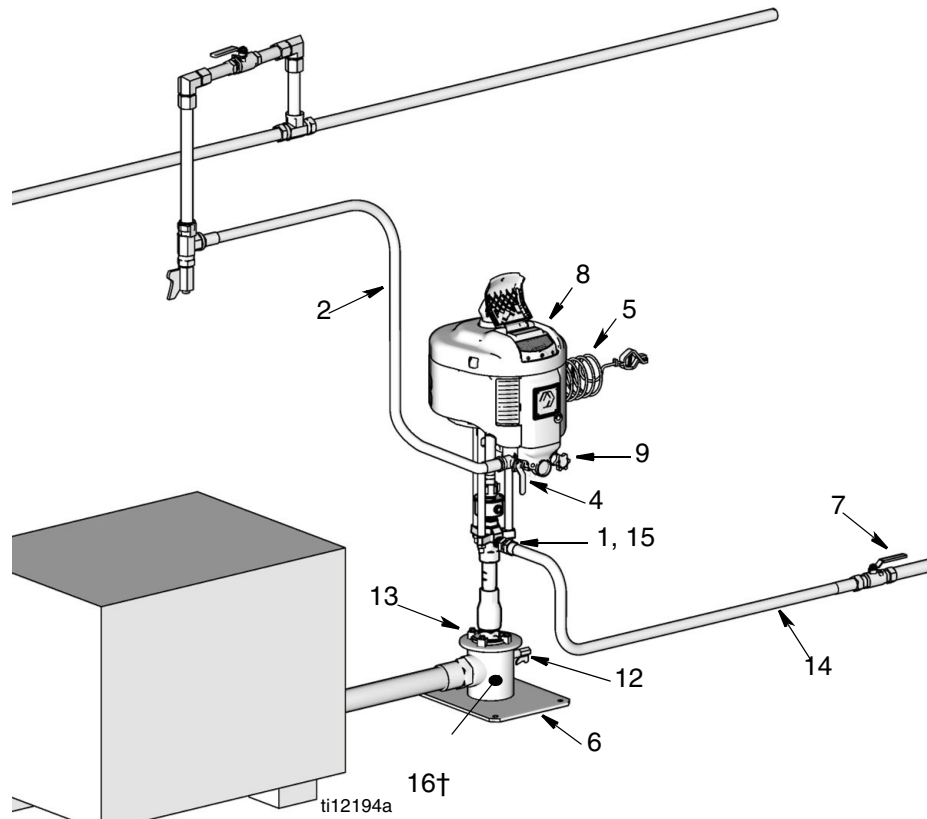
† **Attention:** To comply with CE directives, the CE identification label must be affixed to the floor stand as shown. Permanently mark the date of assembly on the label.

**Models: 247974 and 24E008 29:1, 247977 and 24E009 55:1,
247978 and 24E011 68:1- Floor Stand**



Ref. No.	Part No.	Description	Qty.	Ref. No.	Part No.	Description	Qty.
1	116648	FITTING, swivel, 1" MXF, model 247974	1		P68DCS PUMP, 68:1, 6400/200 CS, SD, model 24E011		1
	115262	FITTING, elbow, adapter 90°, model 247977, 247978	1	9	NXT011 CONTROL, air integrated, locking, model 247974 and 247977		1
2	208610	HOSE, air, coupled, 6-foot	1		NXT031 CONTROL, air, locking, 85 psi, model 247978, 24E011		1
4	157785	FITTING, air, swivel	1	11	C38302 FITTING, nipple, CS, 1" npt, model 247977, 247978		1
5	244524	WIRE, ground, assembly, with clamp	1	12	208390 VALVE, ball		1
6	223952	ADAPTER, pump	1	13	222776 KIT, repair, mounting (4.5 cm)		1
7	116471	VALVE, ball, 1" FBE, model 247974	1	14	244657 HOSE, fluid coupled, 6 foot		1
	521477	VALVE, ball, 1", model 247977, 247978	1	16†	CE Identification label		1
8	P29MCS PUMP, 29:1, 3400/250 CS SD, model 247974	1					
	P55MCS PUMP, 55:1, 6400/250 CS, model 247977	1					
	P68MCS PUMP, 68:1, 6400/200 CS, SD, model 247978	1		†	Attention: To comply with CE directives, the CE identification label must be affixed to the floor stand as shown. Permanently mark the date of assembly on the label.		
	P29DCS PUMP, 29:1, 3400/250 CS SD, model 24E008	1					
	P55DCS PUMP, 55:1, 6400/250 CS, model 24E009	1					

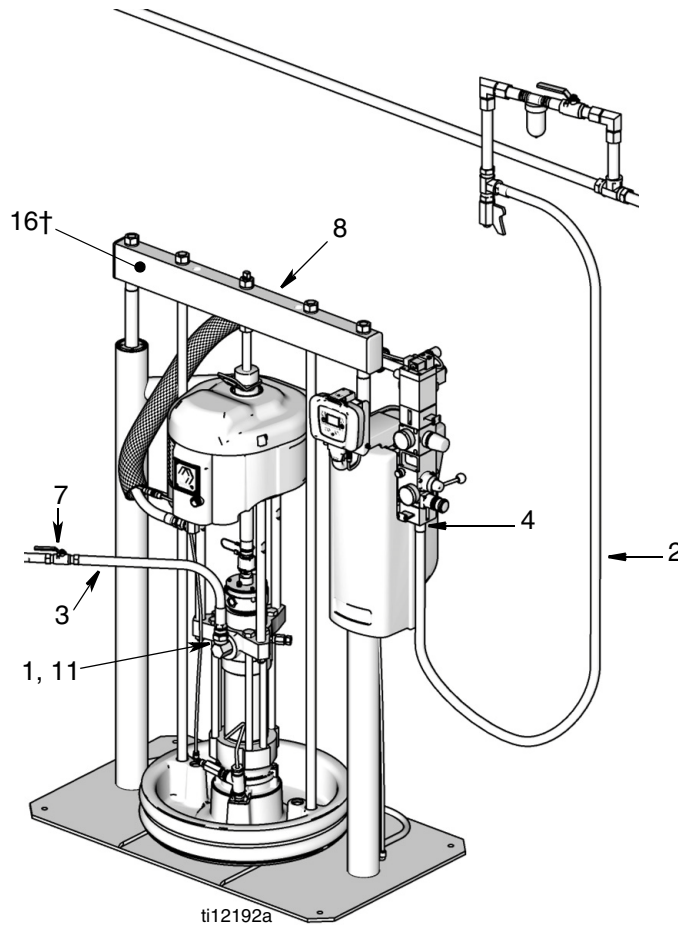
Models: 247975 and 24E010 63:1- Floor Stand



Ref. No.	Part No.	Description	Qty.
1	115262	FITTING, elbow, adapter 90°	1
2	208610	HOSE, air, coupled, 6-foot	1
4	157785	FITTING, air, swivel	1
5	244524	WIRE, ground, assembly, with clamp	1
6	223952	ADAPTER, pump	1
7	521477	VALVE, ball, 1"	1
8	P63MCS	PUMP, 63:1, 3400/100 CS SD model 247975	1
	P63DCS	PUMP, 63:1, 3400/100 CS SD model 24E010	1
9	NXT031	CONTROL, air, locking, 85 psi, model 247978	1
12	208390	VALVE, ball	1
13	222776	KIT, repair, mounting (4.5 cm)	1
14	244657	HOSE, fluid, coupled, 6 foot	1
15	202965	FITTING, union, adapter	1
16†		CE Identification label	1

† **Attention:** To comply with CE directives, the CE identification label must be affixed to the floor stand as shown. Permanently mark the date of assembly on the label.

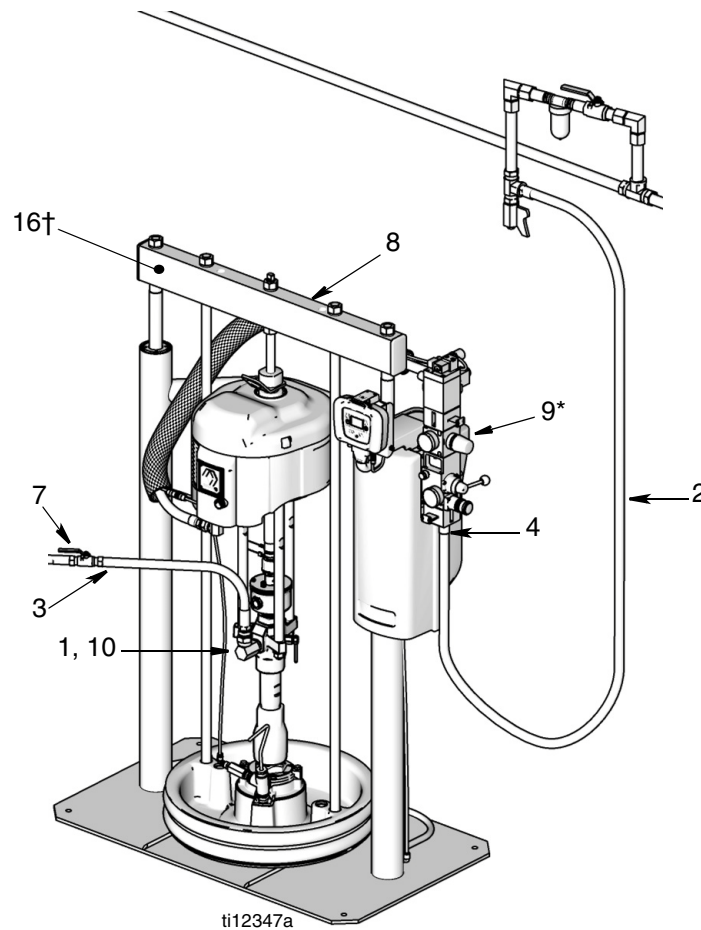
Models: 247979 - RAM



Ref. No.	Part No.	Description	Qty.
1	119363	FITTING, swivel	1
2	208610	HOSE, air, coupled, 6-foot	1
3	115042	HOSE, fluid, coupled, 6 foot	1
4	157785	FITTING, air, swivel	1
7	512152	VALVE, ball, 1" NPT(F)	1
8	CM53BA	SUPPLY UNIT, 14:1 smart, 3.0, RAM, 200L	1
11	116650	COUPLING, 1" x 1-1/2"	1
16†		CE Identification label	1

† **Attention:** To comply with CE directives, the CE identification label must be affixed to the tie beam as shown. Permanently mark the date of assembly on the label.

Models: 247980 - RAM

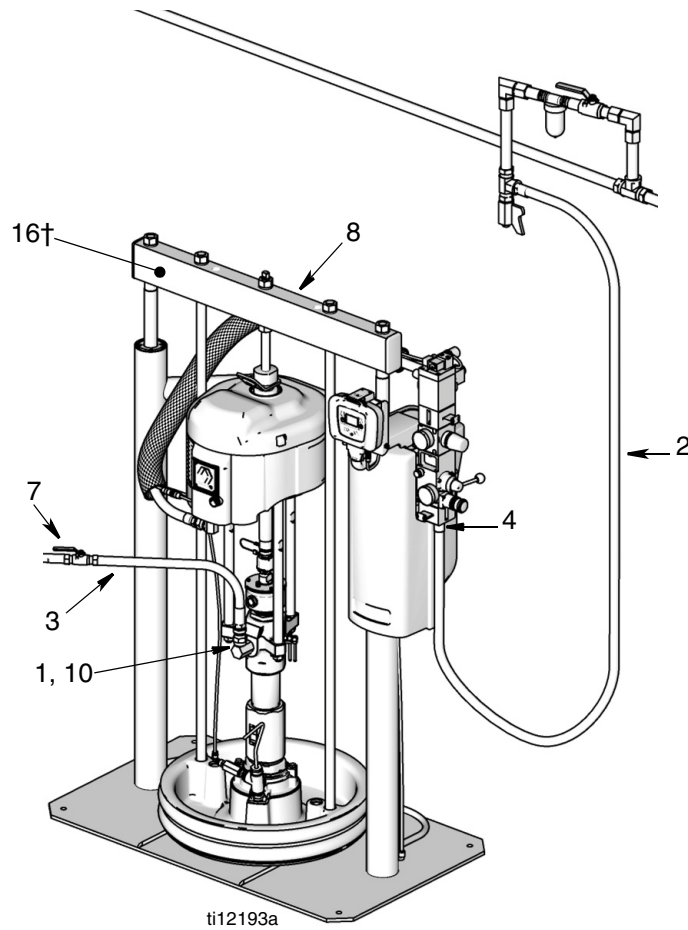


Ref. No.	Part No.	Description	Qty.
1	115262	FITTING, union, adapter 90°	1
2	208610	HOSE, air, coupled, 6-foot	1
3	244657	HOSE, fluid, coupled, 6 foot	1
4	157785	FITTING, air, swivel	1
7	521477	VALVE, ball, 1"	1
8	CM17BA	SUPPLY UNIT, 63:1	1
9*	120306	VALVE, safety, 85 psi	1
10	202965	FITTING, union, adapter	1
16†		CE Identification label	1

† **Attention:** To comply with CE directives, the CE identification label must be affixed to the tie beam as shown. Permanently mark the date of assembly on the label.

* Do not use the Safety Valve 103347 included with item 8, Supply Unit CM17BA. Instead use item 9, the 85 psi, Safety Valve 120306.

Models: 247981 - RAM



Ref. No.	Part No.	Description	Qty.
1	115262	FITTING, union, adapter 90°	1
2	208610	HOSE, air, coupled, 6-foot	1
3	244657	HOSE, fluid, coupled, 6 foot	1
4	157785	FITTING, air, swivel	1
7	521477	VALVE, ball, 1"	1
8	CM2RBA	SUPPLY UNIT, 68:1 SMART, 3.0 RAM 200	1
10	C38302	FITTING, nipple, CS, 1" npt	1
16†		CE Identification label	1

† **Attention:** To comply with CE directives, the CE identification label must be affixed to the tie beam as shown. Permanently mark the date of assembly on the label.

Graco Standard Warranty

Graco warrants all equipment referenced in this document which is manufactured by Graco and bearing its name to be free from defects in material and workmanship on the date of sale to the original purchaser for use. With the exception of any special, extended, or limited warranty published by Graco, Graco will, for a period of twelve months from the date of sale, repair or replace any part of the equipment determined by Graco to be defective. This warranty applies only when the equipment is installed, operated and maintained in accordance with Graco's written recommendations.

This warranty does not cover, and Graco shall not be liable for general wear and tear, or any malfunction, damage or wear caused by faulty installation, misapplication, abrasion, corrosion, inadequate or improper maintenance, negligence, accident, tampering, or substitution of non-Graco component parts. Nor shall Graco be liable for malfunction, damage or wear caused by the incompatibility of Graco equipment with structures, accessories, equipment or materials not supplied by Graco, or the improper design, manufacture, installation, operation or maintenance of structures, accessories, equipment or materials not supplied by Graco.

This warranty is conditioned upon the prepaid return of the equipment claimed to be defective to an authorized Graco distributor for verification of the claimed defect. If the claimed defect is verified, Graco will repair or replace free of charge any defective parts. The equipment will be returned to the original purchaser transportation prepaid. If inspection of the equipment does not disclose any defect in material or workmanship, repairs will be made at a reasonable charge, which charges may include the costs of parts, labor, and transportation.

THIS WARRANTY IS EXCLUSIVE, AND IS IN LIEU OF ANY OTHER WARRANTIES, EXPRESS OR IMPLIED, INCLUDING BUT NOT LIMITED TO WARRANTY OF MERCHANTABILITY OR WARRANTY OF FITNESS FOR A PARTICULAR PURPOSE.

Graco's sole obligation and buyer's sole remedy for any breach of warranty shall be as set forth above. The buyer agrees that no other remedy (including, but not limited to, incidental or consequential damages for lost profits, lost sales, injury to person or property, or any other incidental or consequential loss) shall be available. Any action for breach of warranty must be brought within two (2) years of the date of sale.

GRACO MAKES NO WARRANTY, AND DISCLAIMS ALL IMPLIED WARRANTIES OF MERCHANTABILITY AND FITNESS FOR A PARTICULAR PURPOSE, IN CONNECTION WITH ACCESSORIES, EQUIPMENT, MATERIALS OR COMPONENTS SOLD BUT NOT MANUFACTURED BY GRACO. These items sold, but not manufactured by Graco (such as electric motors, switches, hose, etc.), are subject to the warranty, if any, of their manufacturer. Graco will provide purchaser with reasonable assistance in making any claim for breach of these warranties.

In no event will Graco be liable for indirect, incidental, special or consequential damages resulting from Graco supplying equipment hereunder, or the furnishing, performance, or use of any products or other goods sold hereto, whether due to a breach of contract, breach of warranty, the negligence of Graco, or otherwise.

FOR GRACO CANADA CUSTOMERS

The Parties acknowledge that they have required that the present document, as well as all documents, notices and legal proceedings entered into, given or instituted pursuant hereto or relating directly or indirectly hereto, be drawn up in English. Les parties reconnaissent avoir convenu que la rédaction du présente document sera en Anglais, ainsi que tous documents, avis et procédures judiciaires exécutés, donnés ou intentés, à la suite de ou en rapport, directement ou indirectement, avec les procédures concernées.

Graco Information

For the latest information about Graco products, visit www.graco.com.

TO PLACE AN ORDER, contact your Graco distributor or call to identify the nearest distributor.

Phone: 612-623-6928 **or Toll Free:** 1-800-533-9655, **Fax:** 612-378-3590

*All written and visual data contained in this document reflects the latest product information available at the time of publication.
Graco reserves the right to make changes at any time without notice.*

Original instructions. This manual contains English. MM 312863

Graco Headquarters: Minneapolis

International Offices: Belgium, China, Japan, Korea

GRACO INC. P.O. BOX 1441 MINNEAPOLIS, MN 55440-1441

Copyright 2008, Graco Inc. is registered to ISO 9001

www.graco.com

Revised March 2012