

Pumping Solutions

High Performance Industrial Circulation and Feed Pumps



Graco Reliability. Industry-Proven Accuracy.

CONTENT

PNEUMATIC PISTON PUMPS

Dura-Flo™ and Xtreme™ Pumps - High-Flo™ Pumps

HYDRAULIC PUMPS

Viscount™ Pumps

ELECTRIC PISTON PUMPS

E-Flo™ Pumps

PNEUMATIC PUMPS

Diaphragm and Bellows Pumps



When you acquire a Graco pump, you're looking forward to years of reliable service from the leader in the industry. From the proven design of our diaphragm and bellows pumps, to the new line of pneumatic, electric and hydraulic pumps, Graco sets a high standard in pumping technology.

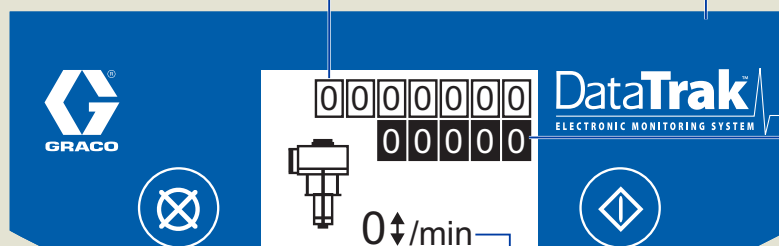
Our new NXT™ air motors offer increased power, reduced icing, low noise and the introduction of DataTrak, an integrated pump monitoring system innovation.

Discover the versatility and reliability of using Graco pumps for all your finishing applications!

Monitor and protect your pump with DataTrak, an integrated local monitoring system innovation.

- Easy to set runaway protection, where you set the cycle rate limit.
- Pump diagnostics help advise when to maintain the pump
- Utilize the resettable batch counter to track material usage or maintenance schedule

Total Cycle Counter
(Not resettable)



Resettable Batch Counter

Cycle and Flow Rate Indicator



Setting a New Industry Standard!

- Tested to outperform other pumps on the market with a long-life packing design
- Provides material tracking, system diagnostics and runaway control with DataTrak™.
- Offers positive displacement, 2-ball and 4-ball piston designs for uniform and easily controlled delivery
- Easily handles a broad range of paints and coatings
- Designed for improved serviceability with fewer parts, faster repairs and lower cost of ownership

What's NXT?

Innovation that boosts your productivity.

Graco NXT. That is what's next.

Pneumatic Piston Pumps

NXT Air Motor Technology

Lasts up to 10 Times Longer!

We've taken the best and made it even better. With the NXT air motor, you get a new pump that sets a higher standard for long-lasting durability.

In fact, the NXT air motor is proven to last 10 times longer than its predecessors, the Graco Senator®, Bulldog® and King.

Built to handle the toughest finishing applications, the NXT also provides easy access to its integrated air controls and de-icing feature, plus it reduces noise. And with more models and configurations to choose from, you get the precise pressure and output you need for your high performance applications.



Optional *NEW DataTrak™ Control*

- Runaway protection
- Pump diagnostics
- Material usage

NEW NXT Air Motor

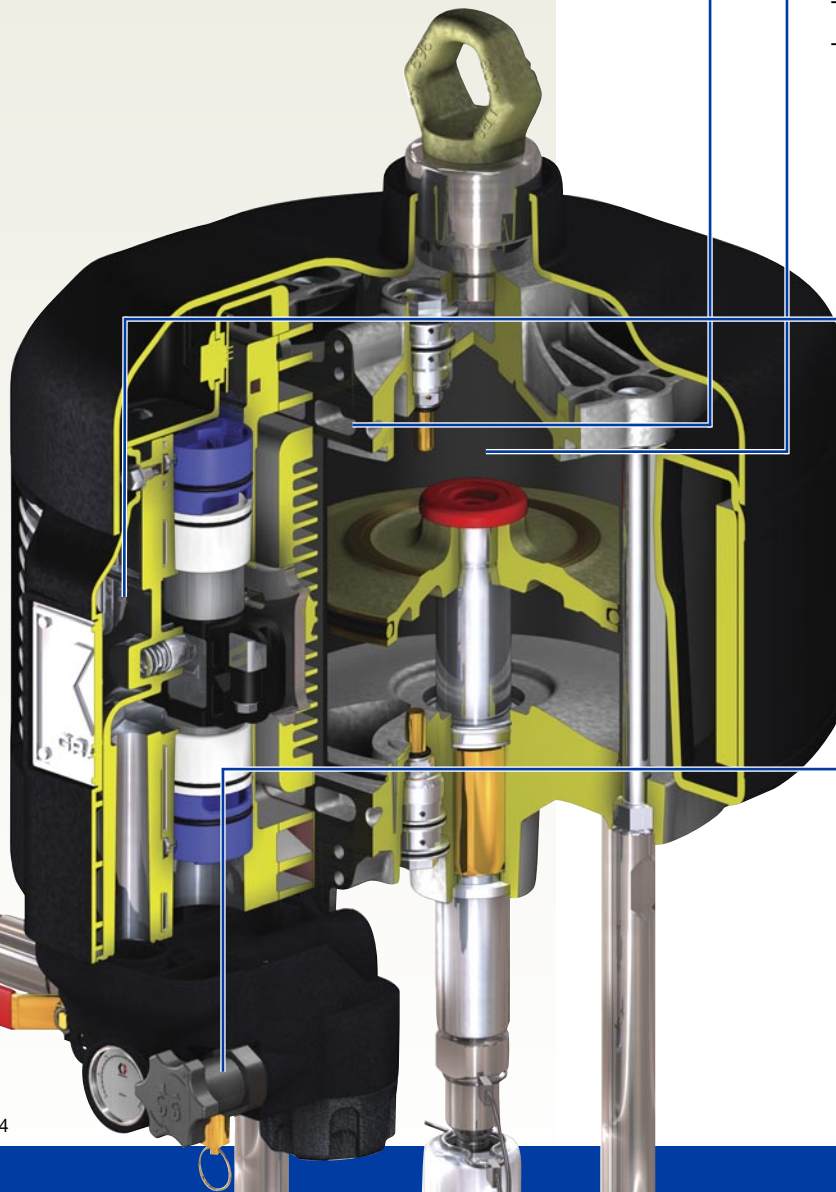
- Modular design for easier maintenance
- Rugged body armor won't rust or dent
- Highest technology air motor on the market
- Three exhaust styles available
 - Low noise
 - Remote
 - De-Icing

NEW Modular Air Valve

- De-icing controls standard
- Up to 50% quieter than previous models
- Modular air valve
 - Eliminates stalling
 - Easy-to-repair

Optional *NEW Integrated Air Controls*

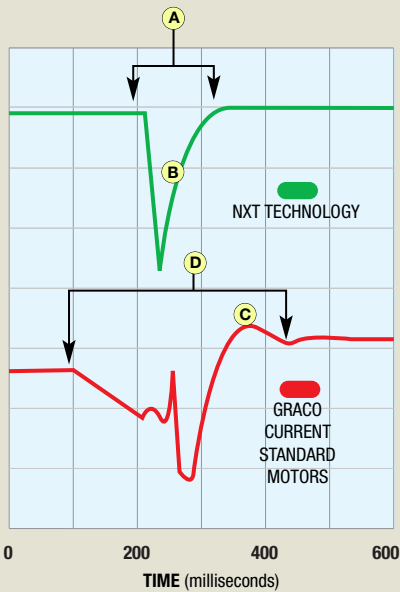
- Lockable easy-turn regulator
- Front-mounted for convenient access
- Compact and modular
- Built-in filtration



The rules have changed

Less Pulsation for Better Results

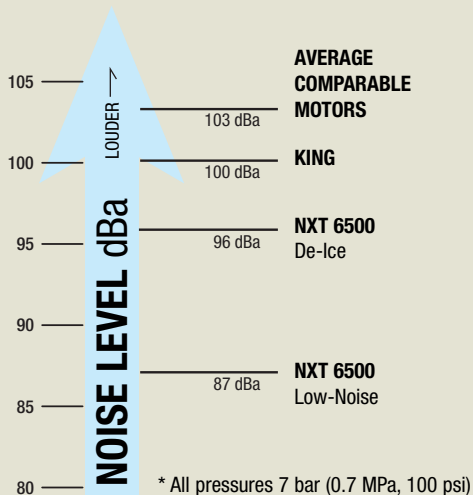
NXT technology provides a smooth, rapid changeover for a better, more consistent finish and less user fatigue.



- A** Less than $\frac{1}{15}$ of a second changeover!
- B** Quick changeover and recovery with less pulsation
- C** Pressure spike at changeover
- D** Longer changeover causing pulsation

Noise-Reduction Technology

The quiet, low-noise NXT air motor operates around 87 decibels, while other comparable motors operate up to 103 dB(A).



Features and Benefits

Increased Reliability

The new NXT Air Motor is proven to last 10 times longer than the Graco Senator, Bulldog and King.

That means you get longer lasting reliable performance when you upgrade your standard pump to the new NXT versions.

New NXT Air Motor

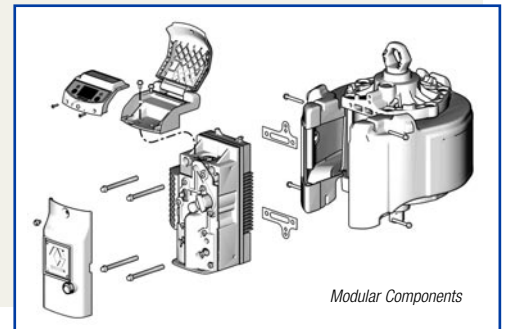
Graco King

**10x
Longer!**

In Graco testing, the Graco King resulted in 4 million cycles MTBF (mean time before failure), while the new NXT resulted in 40 million cycles MTBF.

Easy Maintenance

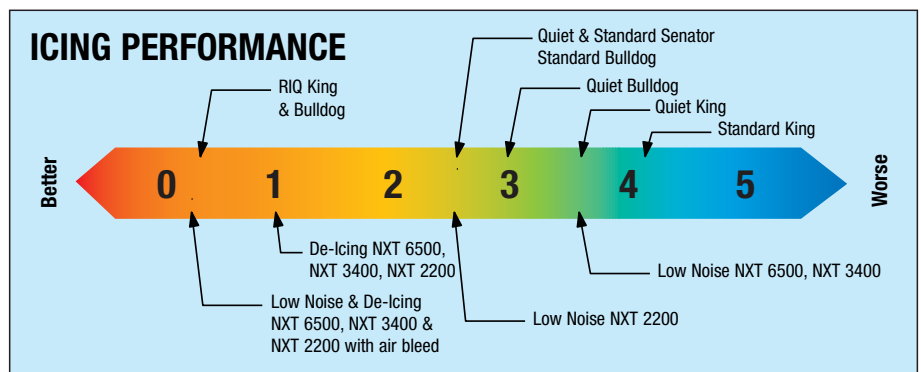
Graco air motors are designed with modular components so that no special tools are needed for assembly and repair.



Reduced Icing

All new NXT Air Motors come standard with Graco's new de-icing technology.

The Active De-Icing Control allows the operator to add warmer ambient air to the motor to melt any build-up of frost or ice.



Pneumatic Piston Pumps

Supply Pumps

Graco's new Xtreme and Dura-Flo pumps provide uniform and easy to control delivery. Ideal for supply applications, these durable pumps feature an NXT motor and can now achieve an even higher range of pressures without compromising flow.

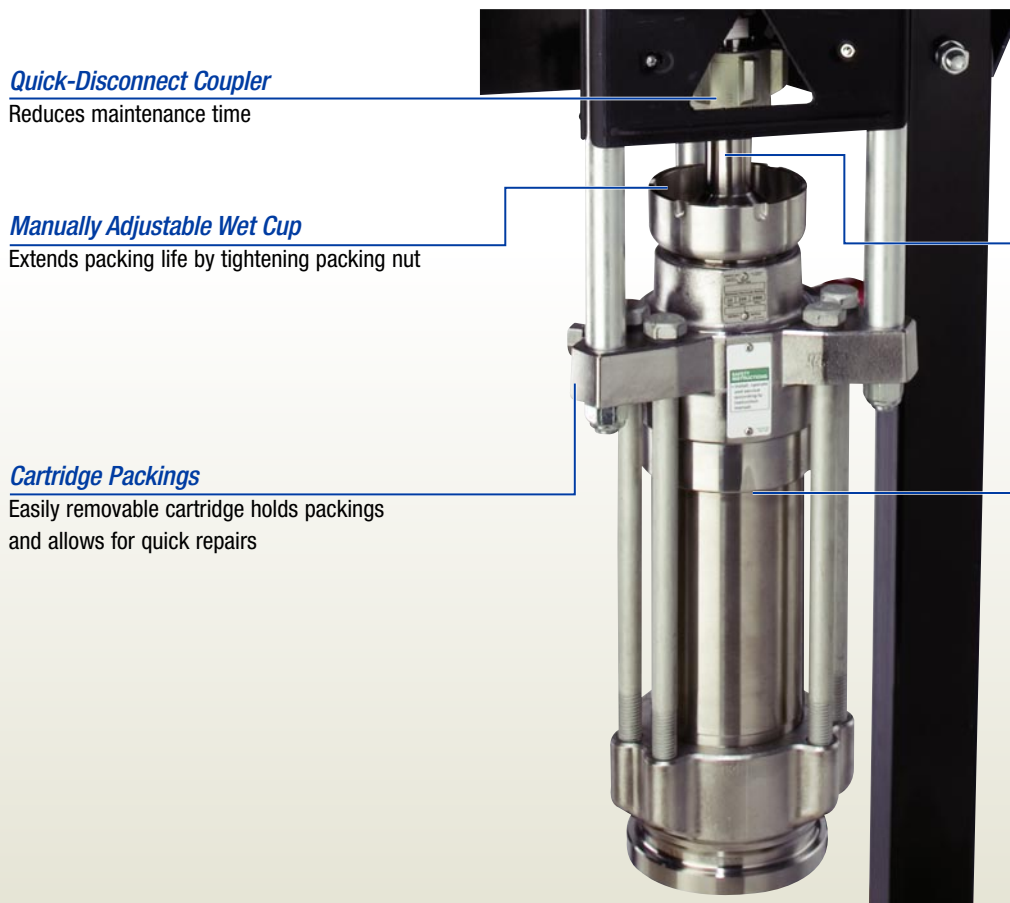
Dura-Flo™ and Xtreme® Pumps

Durable pumps with long-life packing design

- Positive displacement, 2 ball piston design provides uniform and easily controlled delivery
- High pump pressure and flow performance to handle a broad range of paints and coatings
- Improved serviceability with fewer parts, faster repairs and lower ownership costs



Dura-Flo Lower



Quick-Disconnect Coupler

Reduces maintenance time

Manually Adjustable Wet Cup

Extends packing life by tightening packing nut

Cartridge Packings

Easily removable cartridge holds packings and allows for quick repairs

Stainless Steel Chrome Rod

Process provides over 3 times the life of chrome SST rods

High-Volume Piston

Improves flow for high viscosity coatings

High-Flo® Pumps

Midrange High-Flo and High-Flo Plus pumps provide increased performance and a lower cost of ownership.

- Positive displacement, 4 ball piston design provides large output per cycle for reduced pump wear
- Small displacement rod design reduces sealing area to minimize throat leakage
- Gentle pumping action produces a low shear output for shear sensitive materials
- Stainless steel and Severe Duty carbon steel models available to handle a variety of fluids



High-Flo Lower

Dura-Flo Connection

Offers quick access for reduced maintenance time

Cartridge Style

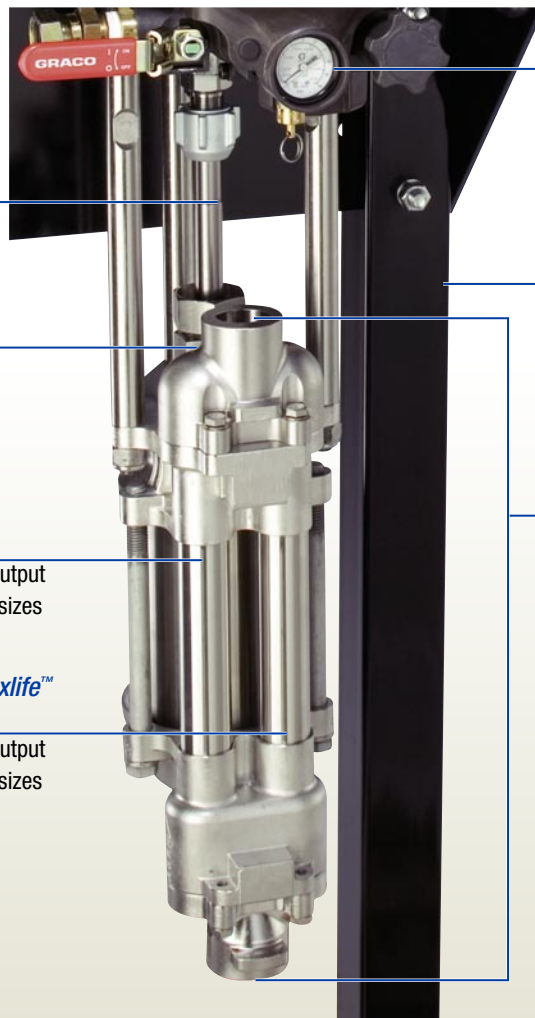
Throat Packings
Enables online repair and reduces downtime

Versatile Pump Lower

Provide the ability to change the volume of output by switching to one of 3 piston and cylinder sizes

Standard Chromex and Severe Duty Maxlife™ rod options

Provide the ability to change the volume of output by switching to one of 3 piston and cylinder sizes



Optional Integrated

Air Control

Optional Floor Stand

Reduces maintenance time

Inlet/Outlet Fittings

Available in NPT, BSPP, and Tri-Clamp connections

Optional Maxlife Lower

Improves handling of abrasive materials and extends the life of the rod, cylinder and wear parts

Selecting the Right Pneumatic Piston Pump

Supply Pumps

Three New Air Motor Sizes and 15 Models to fit all of your demanding Applications

Dura-Flo™ and Xtreme™ Pumps

Use the Smart Numbering System!

The six-digit Smart Numbering System can help you order quickly and accurately. Simply follow the diagram for the part you want and build your order.



Dura-Flo™ and Xtreme® Pumps with NXT

Product Identifier:

P = Dura-Flo and Xtreme Pumps

Pump Ratio:

06 = 6:1/3400cc motor/ 1000cc lower 25 = 25:1 /3400cc motor / 290cc lower
 10 = 10:1/6500cc motor/ 1000cc lower 30 = 30:1 /3400cc motor / 220cc lower
 12 = 12:1/3400cc motor/ 580cc lower 31 = 31:1 /2200cc motor / 145cc lower
 15 = 15:1/3400cc motor/ 430cc lower 32 = 32:1 /6500cc motor / 430cc lower
 16 = 16:1/2200cc motor/ 290cc lower 40 = 40:1 /3400cc motor / 180cc lower
 21 = 21:1/2200cc motor/ 220cc lower 45 = 45:1 /6500cc motor / 290cc lower
 23 = 23:1/6500cc motor/ 580cc lower 46 = 46:1 /3400cc motor / 145cc lower
 24 = 24:1/2200cc motor/ 180cc lower

Motor Type:

D: De-Icing NXT

E: De-Icing NXT with DataTrak

L: Low Noise NXT

M: Low Noise NXT with DataTrak

Lower Material:

C: Carbon Steel

S: Stainless Steel

Packing:

Dura-Flo:

A: 3 UHMWPE / 2 PTFE

B: 3 UHMWPE / 2 Tuffstack

D: 3 PTFE / 2 Leather

E: 4 Leather / 1 PTFE

G: PTFE / PTFE

H: PTFE / Leather

K: UHMWPE / Leather

Xtreme NXT:

1: 3 Xtreme / 2 Leather

		6:1	10:1	12:1	
DURA-FLO AND XTREME	PUMP SPECIFICATIONS	Output per cycle	1000cc	1000cc	580cc
		Motor Size	NXT 3400	NXT 6500	NXT 3400
		Maximum Working Pressure bar (MPa, psi)	43 (4.3, 620)	82 (8.2, 1190)	82 (8.2, 1190)
		Maximum Air Input Pressure bar (MPa, psi)	7 (0.7, 100)	7 (0.7, 100)	7 (0.7, 100)
		Output at 60 CPM l/min. (gpm)	66 (18)	66 (18)	35 (9)
	MANUALS	CS Pump Manual	311833	311833	311826
		SST Pump Manual	311833	n/a	311826
		CS Lower Manual	311717	311717	311825
		SST Lower Manual	311716	n/a	311825
		Motor Manual	311238	311238	311238
	INLET/OUTLET SIZE	CS Pump Inlet Size	2" npt (f)	2" npt (f)	2" npt (f)
		CS Pump Outlet Size	1 1/2" npt (f)	1 1/2" npt (f)	1 1/2" npt (f)
		SST Pump Inlet Size	2" npt (f)	n/a	2" npt (f)
		SST Pump Outlet Size	1" npt (f)	n/a	1 1/2" npt (m)

		MOTOR TYPE	DATATRAK INCLUDED	PACKINGS	6:1	10:1	12:1		
PUMP CONSTRUCTION	CARBON STEEL (C)	D		1					
		D		D			P12DCD		
		D		K	P06DCK	P10DCK			
		E	Yes	1					
		E	Yes	D				P12ECD	
		E	Yes	K	P06ECK	P10ECK			
		L		1					
		L		D				P12LCD	
		L		K	P06LCK	P10LCK			
		M	Yes	1					
		M	Yes	D				P12MCD	
		M	Yes	K	P06MCK	P10MCK			
		STAINLESS STEEL (S)	D		A				P12DSA
			D		B				
			D		E				
	D			G	P06DSG				
	D			H					
	E		Yes	A				P12ESA	
	E		Yes	B					
	E		Yes	E					
	E		Yes	G	P06ESG				
	E		Yes	H					
	L			A				P12LSA	
	L			B					
	L		E						
	L		G	P06LSG					
	L		H						
M	Yes	A				P12MSA			
M	Yes	B							
M	Yes	E							
M	Yes	G	P06MSG						
M	Yes	H							

Dura-Flo™ - Xtreme™

Dura-Flo™ - Xtreme™

Wall Mount Systems Ordering Information, see page 12-13

15:1	16:1	21:1	23:1	24:1	25:1	30:1	31:1	32:1	40:1	45:1	46:1
430cc	290cc	220cc	580cc	180cc	290cc	220cc	145cc	430cc	180cc	290cc	145cc
NXT 3400	NXT 2200	NXT 2200	NXT 6500	NXT 2200	NXT 3400	NXT 3400	NXT 2200	NXT 6500	NXT 3400	NXT 6500	NXT 3400
109 (10.9, 1580)	105 (10.5, 1520)	140 (14.0, 2030)	156 (15.6, 2270)	167 (16.7, 2430)	164 (16.4, 2380)	217 (21.7, 3170)	210 (21.0, 3040)	209 (20.9, 3030)	262 (26.2, 3800)	314 (31.4, 4550)	327 (32.7, 4750)
7 (0.7,100)	7 (0.7,100)	7 (0.7,100)	7 (0.7,100)	7 (0.7,100)	7 (0.7,100)	7 (0.7,100)	7 (0.7,100)	7 (0.7,100)	7 (0.7,100)	7 (0.7,100)	7 (0.7,100)
26 (7)	17.5 (5)	13 (3.5)	35 (9)	11 (3)	17.5 (4.5)	13 (3.5)	9 (2)	26 (7)	11 (3)	17.5 (4.5)	9 (2)
311826	311164	311164	311826	311164	311164	311164	311164	311826	n/a	n/a	n/a
311826	311828	311828	311826	311828	311828	311828	311828	311826	311828	311828	311828
311825	311762	311762	311825	311762	311762	311762	311762	311825	n/a	n/a	n/a
311825	311827	311827	311825	311827	311827	311827	311827	311825	311827	311827	311827
311238	311238	311238	311238	311238	311238	311238	311238	311238	311238	311238	311238
2" npt (f) 1 1/2" npt (f) 2" npt (f) 1 1/2" npt (m)	1 1/4" npt(m) 1" npt (f) 2" npt (f) 1" npt (f)	1 1/4" npt(m) 1" npt (f) 2" npt (f) 1" npt (f)	2" npt (f) 1 1/2" npt (f) 2" npt (f) 1 1/2" npt (m)	1 1/4" npt(m) 3/4" npt (f) 1 1/2" npt (f) 3/4" npt (f)	1 1/4" npt(m) 1" npt (f) 2" npt (f) 1" npt (f)	1 1/4" npt(m) 1" npt (f) 2" npt (f) 1" npt (f)	1 1/4" npt(m) 3/4" npt (f) 1 1/2" npt (f) 3/4" npt (f)	2" npt (f) 1 1/2" npt (f) 2" npt (f) 1 1/2" npt (m)	1 1/4" npt (f) 1 1/4" npt (f) 1 1/2" npt (f) 3/4" npt (f)	1 1/4" npt (f) 1 1/4" npt (f) 2" npt (f) 1" npt (f)	1 1/4" npt (f) 1 1/4" npt (f) 1 1/2" npt (f) 3/4" npt (f)

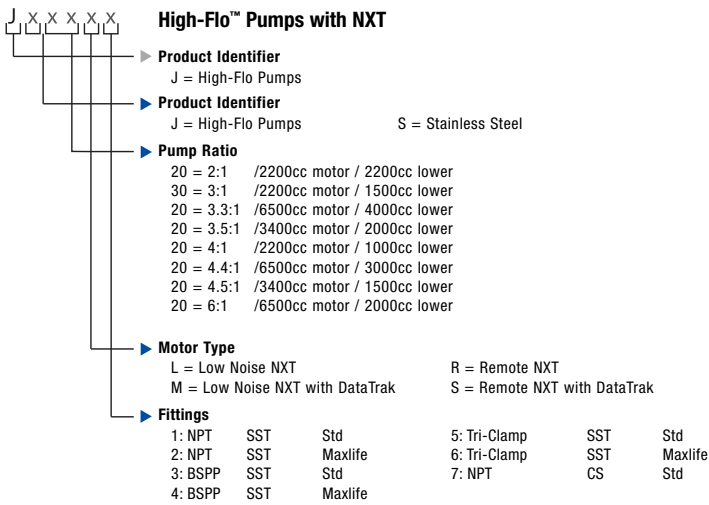
15:1	16:1	21:1	23:1	24:1	25:1	30:1	31:1	32:1	40:1	45:1	46:1
P15DCD	P16DC1	P21DC1	P23DCD	P24DC1	P25DC1	P30DC1	P31DC1	P32DCD			
	P16EC1	P21EC1	P23ECD	P24EC1	P25EC1	P30EC1	P31EC1	P32ECD			
	P16LC1	P21LC1	P23LCD	P24LC1	P25LC1	P30LC1	P31LC1	P32LCD			
	P16MC1	P21MC1	P23MCD	P24MC1	P25MC1	P30MC1	P31MC1	P32MCD			
			P23DSA					P32DSB			
	P16DSE	P21DSE		P24DSE	P25DSE	P30DSE			P40DSE	P45DSE	
			P23ESA				P31DSH				P46DSH
								P32ESB			
	P16ESE	P21ESE		P24ESE	P25ESE	P30ESE			P40ESE	P45ESE	
							P31ESH				P46ESH
			P23LSA					P32LSB			
	P16LSE	P21LSE		P24LSE	P25LSE	P30LSE			P40LSE	P45LSE	
							P31LSH				P46LSH
			P23MSA								
								P32MSBI			
	P16MSE	P21MSE		P24MSE	P25MSE	P30MSE			P40MSE	P45MSE	
							P31MSH				P46MSH

Graco recommends 20 cpm or less for supply applications and 12 cpm or less for circulation applications.

Selecting the Right Pneumatic Piston Pump

Use the Smart Numbering System!*

The six-digit Smart Numbering System can help you order quickly and accurately. Simply follow the diagram for the part you want and build your order.



* Some configurations may not be available.

8 Models to fit all of your demanding Applications

High-Flo® and High-Flo Plus Pumps

		2:1	3:1	3.3:1	3.5:1	4:1	4.4:1	4.5:1	6:1	
HIGH-FLO AND HIGH-FLO PLUS	PUMP SPECIFICATIONS	Output per cycle	2000cc	1500cc	4000cc	2000cc	1000cc	3000cc	1500cc	2000cc
		Motor Size	NXT 2200	NXT 2200	NXT 6500	NXT 3400	NXT 2200	NXT 6500	NXT 3400	NXT 6500
		Maximum Working Pressure bar (Mpa, psi)	14 (1.4, 200)	20 (2.0, 290)	22.5 (2.25, 325)	23.5 (2.35, 340)	28 (2.8, 400)	32 (3.2, 460)	31 (3.1, 450)	34.5 (3.45, 500)
		Maximum Air Input Pressure bar (Mpa, psi)	7 (0.7, 100)	7 (0.7, 100)	7 (0.7, 100)	7 (0.7, 100)	7 (0.7, 100)	7 (0.7, 100)	7 (0.7, 100)	5 (0.5, 78)
		Output at 60 CPM l/min. (gpm)	119 (32)	88 (23)	239 (63)	119 (32)	64 (17)	179 (47)	88 (23)	119 (32)
	MANUALS	Pump Manual	311211	311211	311831	311211	311211	311831	311211	311831
		Lower Manual	311690	311690	311832	311690	311690	311832	311690	311832
		Motor Manual	311238	311238	311238	311238	311238	311238	311238	311238
	INLET/OUTLET SIZE	CS Pump Inlet Size	1.5" npt (f)	1.5" npt (f)	2" npt (f)	1.5" npt (f)	1.5" npt (f)	2" npt (f)	1.5" npt (f)	2" npt (f)
		CS Pump Outlet Size	1" npt (f)	1" npt (f)	2" npt (f)	1" npt (f)	1" npt (f)	2" npt (f)	1" npt (f)	2" npt (f)
SST Pump Inlet Size		1.5" npt (f)	1.5" npt (f)	2" npt (f)	1.5" npt (f)	1.5" npt (f)	2" npt (f)	1.5" npt (f)	2" npt (f)	
SST Pump Outlet Size		1" npt (f)	1" npt (f)	2" npt (f)	1" npt (f)	1" npt (f)	2" npt (f)	1" npt (f)	2" npt (f)	
SST Pump Inlet Size		1.5" BSPP (f)	1.5" BSPP (f)	2" BSPP (f)	1.5" BSPP (f)	1.5" BSPP (f)	2" BSPP (f)	1.5" BSPP (f)	2" BSPP (f)	
SST Pump Outlet Size		1.25" BSPP (f)	1.25" BSPP (f)	2" BSPP (f)	1.25" BSPP (f)	1.25" BSPP (f)	2" BSPP (f)	1.25" BSPP (f)	2" BSPP (f)	
SST Pump Inlet Size		2" Tri-Clamp	2" Tri-Clamp	N/A	2" Tri-Clamp	2" Tri-Clamp	N/A	2" Tri-Clamp	N/A	
SST Pump Outlet Size	2" Tri-Clamp	2" Tri-Clamp	N/A	2" Tri-Clamp	2" Tri-Clamp	N/A	2" Tri-Clamp	N/A		

HighFlo® - High-Flo Plus

Wall Mount Systems Ordering Information, see page 12-13

		MOTOR TYPE	DATATRAK™ INCLUDED	FITTINGS/LOWER MATERIALS	2:1	3:1	3.3:1	3.5:1	4:1	4.4:1	4.5:1	6:1
PUMP CONSTRUCTION	CARBON STEEL (C)	L		1	JC20L1		JC33L1	JC35L1		JC44L1		JC60L1
		L		7		JC30L7			JC40L7		JC45L7	
		M	Yes	1	JC20M1		JC33M1	JC35M1		JC44M1		JC60M1
		M	Yes	7		JC30M7			JC40M7		JC45M7	
	STAINLESS STEEL (S)	L		1	JS20L1	JS30L1	JS33L1	JS35L1	JS40L1	JS44L1	JS45L1	JS60L1
		L		2	JS20L2	JS30L2		JS35L2	JS40L2		JS45L2	
		L		3	JS20L3	JS30L3	JS33L3	JS35L3	JS40L3	JS44L3	JS45L3	JS60L3
		L		4	JS20L4	JS30L4		JS35L4	JS40L4		JS45L4	
		L		5	JS20L5	JS30L5		JS35L5	JS40L5		JS45L5	
		L		6	JS20L6	JS30L6		JS35L6	JS40L6		JS45L6	
		M	Yes	1	JS20M1	JS30M1	JS33M1	JS35M1	JS40M1	JS44M1	JS45M1	JS60M1
		M	Yes	2	JS20M2	JS30M2		JS35M2	JS40M2		JS45M2	
		M	Yes	3	JS20M3	JS30M3	JS33M3	JS35M3	JS40M3	JS44M3	JS45M3	JS60M3
		M	Yes	4	JS20M4	JS30M4		JS35M4	JS40M4		JS45M4	
		M	Yes	5	JS20M5	JS30M5		JS35M5	JS40M5		JS45M5	
		M	Yes	6	JS20M6	JS30M6		JS35M6	JS40M6		JS45M6	
		R		1	JS20R1	JS30R1	JS33R1	JS35R1	JS40R1	JS44R1	JS45R1	JS60R1
		R		2	JS20R2	JS30R2		JS35R2	JS40R2		JS45R2	
		R		3	JS20R3	JS30R3	JS33R3	JS35R3	JS40R3	JS44R3	JS45R3	JS60R3
		R		4	JS20R4	JS30R4		JS35R4	JS40R4		JS45R4	
R		5	JS20R5	JS30R5		JS35R5	JS40R5		JS45R5			
R		6	JS20R6	JS30R6		JS35R6	JS40R6		JS45R6			
S	Yes	1	JS20S1	JS30S1	JS33S1	JS35S1	JS40S1	JS44S1	JS45S1	JS60S1		
S	Yes	2	JS20S2	JS30S2		JS35S2	JS40S2		JS45S2			
S	Yes	3	JS20S3	JS30S3	JS33S3	JS35S3	JS40S3	JS44S3	JS45S3	JS60S3		
S	Yes	4	JS20S4	JS30S4		JS35S4	JS40S4		JS45S4			
S	Yes	5	JS20S5	JS30S5		JS35S5	JS40S5		JS45S5			
S	Yes	6	JS20S6	JS30S6		JS35S6	JS40S6		JS45S6			

Graco recommends 20 cpm or less for supply applications and 12 cpm or less for circulation applications.

Accessories

Mounting Accessories

- 255143** Wall mount bracket kit
- 253692** Floor stand
- 218742** Floor stand (High-Flo Plus)
- 247312** Wall mount and floor stand adapter for 2200 motor
- 287884*** Heavy duty cart
- 287919*** Light duty cart
- 289279** Cart adapter kit

Pump Accessories

- NXT011** Integrated air control
- NXT031** Integrated air control (for JX60XX pumps)
- 261721*** Wet cup booster cup (for mid-range High-Flo pumps)
- NXT206** DataTrak upgrade kit for the NXT 2200
- NXT306** DataTrak upgrade kit for the NXT 3400
- NXT606** DataTrak upgrade kit for the NXT 6500

Suction Kits

- 247472** For 1.25 in (m) 19 l (5 gal) CS suction kit
- 247473** For 1.25 in (m) 200 l (55 gal) CS suction kit
- 247475** For 1.5 in (f) 19 l (5 gal) SST suction kit
- 247476** For 1.5 in (f) 200 l (55 gal) SST suction kit
- 247477** For 2 in (f) 19 l (5 gal) SST suction kit
- 247478** For 2 in (f) 200 l (55 gal) SST suction kit

Fluid Filter Kits

- 247479** For .75 in (f) SST fluid filter kit
- 247480** For 1 in (f) SST fluid filter kit
- 247474** Aluminum fluid filter kit

* Please contact customer service for questions or assistance choosing the correct cart adapter kit for your pump.

Ordering Information: Wall Mount Systems

Wall Mount Systems

These systems combine the new NXT pump technology with components such as integrated air controls, fluid filters and suction tubes in one complete package. No assembly required!

33 new top-level assemblies have been created.



Dura-Flo Packages

- 416MSN** System, Wall Mount, Dura-Flo, 16:1, SST, LN, DT
- 516MSN** System, Wall Mount, Dura-Flo, 16:1, SST, LN, DT, Suction 19 l (5 gal)
- 616MSN** System, Wall Mount, Dura-Flo, 16:1, SST, LN, DT, Suction 208 l (55 gal)
- 425MSN** System, Wall Mount, Dura-Flo, 25:1, SST, LN, DT
- 525MSN** System, Wall Mount, Dura-Flo, 25:1, SST, LN, DT, Suction 19 l (5 gal)
- 625MSN** System, Wall Mount, Dura-Flo, 25:1, SST, LN, DT, Suction 208 l (55 gal)

- 430MSN** System, Wall Mount, Dura-Flo, 30:1, SST, LN, DT
- 530MSN** System, Wall Mount, Dura-Flo, 30:1, SST, LN, DT, Suction 19 l (5 gal)
- 630MSN** System, Wall Mount, Dura-Flo, 30:1, SST, LN, DT, Suction 208 l (55 gal)
- 440MSN** System, Wall Mount, Dura-Flo, 40:1, SST, LN, DT
- 445MSN** System, Wall Mount, Dura-Flo, 45:1, SST, LN, DT
- 446MSN** System, Wall Mount, Dura-Flo, 46:1, SST, LN, DT

Xtreme Packages

- 116MCN** System, Wall Mount, Xtreme, 16:1, CS, LN, DT
- 216MCN** System, Wall Mount, Xtreme, 16:1, CS, LN, DT, Suction 19 l (5 gal)
- 316MCN** System, Wall Mount, Xtreme, 16:1, CS, LN, DT, Suction 208 l (55 gal)
- 125MCN** System, Wall Mount, Xtreme, 25:1, CS, LN, DT
- 225MCN** System, Wall Mount, Xtreme, 25:1, CS, LN, DT, Suction 19 l (5 gal)

- 325MCN** System, Wall Mount, Xtreme, 25:1, CS, LN, DT, Suction 208 l (55 gal)
- 130MCN** System, Wall Mount, Xtreme, 30:1, CS, LN, DT
- 230MCN** System, Wall Mount, Xtreme, 30:1, CS, LN, DT, Suction 19 l (5 gal)
- 330MCN** System, Wall Mount, Xtreme, 30:1, CS, LN, DT, Suction 208 l (55 gal)

Dura-Flo™ - Xtreme™ - High-Flo®

High-Flo Packages

703MSN	System, Wall Mount, High-Flo MR 3-1500, NPT, LN, DT	704MSN	System, Wall Mount, High-Flo MR 4-1000, NPT, LN, DT
703MSB	System, Wall Mount, High-Flo MR 3-1500, BSPP, LN, DT	704MSB	System, Wall Mount, High-Flo MR 4-1000, BSPP, LN, DT
703MST	System, Wall Mount, High-Flo MR 3-1500, TRI, LN, DT	704MST	System, Wall Mount, High-Flo MR 4-1000, TRI, LN, DT
703SSN	System, Wall Mount, High-Flo MR 3-1500, NPT, RM, DT	704SSN	System, Wall Mount, High-Flo MR 4-1000, NPT, RM, DT
703SSB	System, Wall Mount, High-Flo MR 3-1500, BSPP, RM, DT	704SSB	System, Wall Mount, High-Flo MR 4-1000, BSPP, RM, DT
703SST	System, Wall Mount, High-Flo MR 3-1500, TRI, RM, DT	704SST	System, Wall Mount, High-Flo MR 4-1000, TRI, RM, DT

Accessories

247472	Kit, Suction, CS, 19 l (5 gal), 1 1/4", Xtreme	247475	Kit, Suction, SST, 19 l (5 gal), 1 1/2", DURA-FLO
247473	Kit, Suction, CS, 208 l (55 gal), 1 1/4", Xtreme	247476	Kit, Suction, SST, 208 l (55 gal), 1 1/2", DURA-FLO
247474	Kit, Filter, CS, Xtreme	247477	Kit, Suction, SST, 19 l (5 gal), 2", DURA-FLO
		247478	Kit, Suction, SST, 208 l (55 gal), 2", DURA-FLO
		247479	Kit, Suction, SST, 3/4", Dura-Flo
		247480	Kit, Suction, SST, 1", Dura-Flo

Hydraulic Pumps

Viscount Pumps

The field proven energy efficient Viscount pumps provide reliable, quiet, ice-free performance and are up to three times more energy efficient than comparable compressed air systems.

Viscount I

Low flow 2 ball piston pump for supply applications

- Small, compact design
- Up to 207 bar (20.7 MPa, 3000 psi)
- Carbon steel and stainless steel pumps available

Viscount I+

Low to medium flow 4 ball circulation piston pumps

- Utilizes midrange High-Flo pump lowers
- Carbon steel and stainless steel pumps available
- Flow up to 91 l/min. (24 gpm)

Viscount II

Ideal for large circulation and higher pressure supply applications

- 2 ball piston pumps available with Xtreme and Dura-Flo pump lowers
- 4 ball piston pumps available with large High-Flo lowers
- Pumps available in carbon steel and stainless steel



Viscount I+



Viscount II

Selecting the Right Hydraulic Pump

Three Models to fit all of your demanding Applications

Hydraulic Pumps

STANDARD KIT		Viscount I+ 225	Viscount I+ 300	Viscount I+ 450
PUMP SPECIFICATIONS	Max Fluid Outlet Pressure	16 bar (1.6 MPa, 225 psi)	21 bar (2.1 MPa, 300 psi)	31 bar (3.1 MPa, 450 psi)
	Max Hydraulic Input Pressure	103 bar (10.3 MPa, 1500 psi)	103 bar (10.3 MPa, 1500 psi)	103 bar (10.3 MPa, 1500 psi)
	Oil Flow @ 60 cpm	13.2 l/min. (3.5 gpm)	13.2 l/min. (3.5 gpm)	11.3 l/min. (3 gpm)
	Fluid Flow @ 60 cpm	75.6 l/min. (20 gpm)	53.9 l/min. (14.2 gpm)	36.4 l/min. (9.6 gpm)
	Volume per cycle	1.23 l (0.33 gal)	0.90 l (0.24 gal)	0.61 l (0.16 gal)
	Sound Pressure Level @ 103 bar oil @ 20 cpm	78 dBA	78 dBA	78 dBA
	Hydraulic Fluid Inlet	3/4 in (37° flare)	3/4 in (37° flare)	3/4 in (37° flare)
	Hydraulic Fluid Inlet	7/8 in (37° flare)	7/8 in (37° flare)	7/8 in (37° flare)
	Pump Fluid Inlet	1-1/2" npt(f)	1-1/2" npt(f)	1-1/2" npt(f)
	Pump Fluid Inlet	1" npt(f)	1" npt(f)	1" npt(f)
	Weight	35 kg (76 lb) CS 32 kg (69 lb) SST	35 kg (76 lb) CS 32 kg (69 lb) SST	35 kg (76 lb) CS 32 kg (69 lb) SST

Ordering Information & Accessories

Viscount 1+

225 - 300 - 450

253647	253646	236601	CS, Chromex, UHMWPE/Leather, NPT
253643	253642	236602	SST, Chromex, UHMWPE/Leather, NPT
253645	253644	-	SST, Maxlife, UHMWPE/Leather, NPT
-	-	244142	SST, Chromex, UHMWPE/Leather, NPT
253649	253648	-	SST, Chromex, UHMWPE/Leather, BSPP
253651	253650	-	SST, Maxlife, UHMWPE/Leather, BSPP
253653	253652	-	SST, Chromex, UHMWPE/Leather, Tri-Clamp
253655	253654	-	SST, Maxlife, UHMWPE/Leather, Tri-Clamp

Standard Kits

277362	277360	220589	UHMWPE piston seal kit
277357	277357	239872	UHMWPE/Leather throat seal kit
-	-	181898	Chrome piston rod
15H280	15H280	-	Chrome piston rod
15H589	15H589	-	Maxlife piston rod
183048	183047	183049	Chrome cylinder
15H453	15H452	-	Maxlife cylinder
-	-	685971	Ceramic cylinder
181900	183032	181899	Nitride cylinder (cs)

Optional Kits

277363	277361	224934	PTFE piston seal kit
239866	239866	239866	PTFE piston seal kit
277356	277356	239868	Leather throat seal kit

Accessories

206221	Wall mount bracket	189305	Assembly tool yoke/trip rod
220581	Floor stand	261721	Wet cup booster cup
110335	Packing wrench		

Electric Piston Pumps

E-Flo™

Get the benefits of a piston pump with the energy efficiency of an electric drive unit!

- Dual midrange High-Flo stainless steel lowers operating out of phase for lower pressure variation
- Ability for online maintenance simplifies repair and reduces downtime
- Achieves up to 85 l/min. (22.6 gpm) at 20 cpm. For higher pressure requirements, up to 31.7 bar (3.17 MPa, 460 psi) models available
- Includes a Graco programmed VFD for less pressure variation, as well as, integrated overpressure protection and remote monitoring of performance via computer or PLC
- Pneumatically controlled BPR (back pressure regulator) remotely reduces fluid pressure during off-production operation and extends material integrity and realize further energy cost savings



3 HP (2.2 kW) Motor

3 HP (2.2 kW) Motor or 5 HP (3.7 kW) Motor
Reliable inverter duty motor

Durable 3 Gear Reduction Drive System

Provides years of reliable service

Reversible 2" Tri-Clamp Fluid Inlet/Outlet

Provides versatility during installation

Optional Integrated Pressure Transducer

Monitors pressure and protects the pump

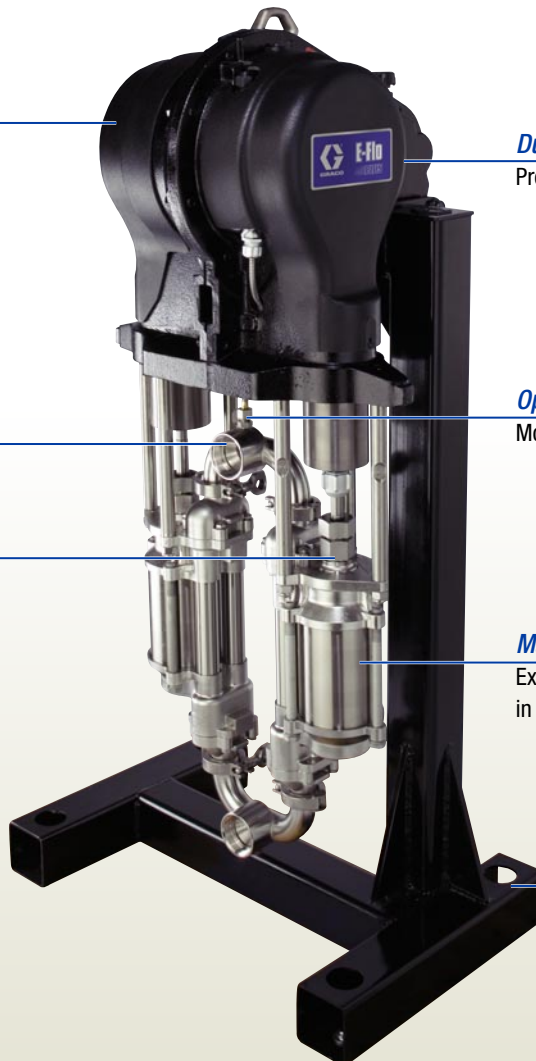
Cartridge Style Throat Packings

Reduce downtime by making online repair easier

Maxlife Lowers

Extends the life of the rod, cylinder and wear parts in both abrasive and non-abrasive materials

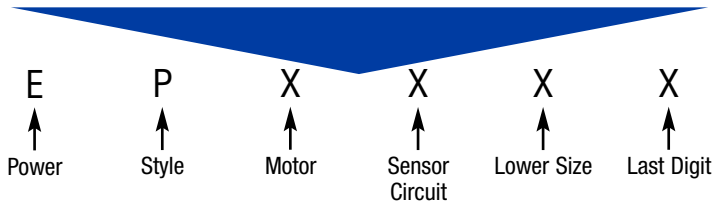
Optional Floor Stand



Selecting the Right Electric Pump

Use the Smart Numbering System!*

The six-digit Smart Numbering System can help you order quickly and accurately. Simply follow the diagram for the part you want and build your order.



* Some configurations may not be available.

Power	Style	Motor	Sensor Circuit	Lower Size	Stand
E = Electric	P = Pump	0 = No Motor 1 = 230/400V ATEX (5 HP) 3 = 230/400V ATEX (3 HP)	0 = No Sensor Circuit 1 = Installed	1 = 1000 cc Chromex™ 2 = 1500 cc Chromex 3 = 2000 cc Chromex 4 = 1000 cc Maxlife® 5 = 1500 cc Maxlife 6 = 2000 cc Maxlife 7 = 750 cc Chromex	0 = No Stand 1 = Installed

Four Models to fit all of your demanding Applications

E-Flo® Pumps

STANDARD KIT		E-FLO 1500	E-FLO 2000	E-FLO 3000	E-FLO 4000	
E-FLO®	PUMP SPECIFICATIONS	Max Fluid Pressure	34.5 bar (3.45 MPa, 500 psi)	32 bar (3.2 MPa, 460 psi)	23 bar (2.3 MPa, 330 psi)	17 bar (1.7 MPa, 250 psi)
	Flow at 20 cpm	31 l/min. (8.1 gpm)	45 l/min. (12 gpm)	61 l/min. (16.2 gpm)	85.5 l/min. (22.6 gpm)	
	Volume per Cycle	1537cc	2263cc	3070cc	4278cc	
	Inlet/Outlet	1-1/2 inch Tri-Clamp	2 inch Tri-Clamp	2 inch Tri-Clamp	2 inch Tri-Clamp	
	Weight	209 kg	234 kg	245 kg	250 kg	
MANUALS	E-Flo Operations Manual	331159				
	E-Flo Installation Manual	311592				
	E-Flo Repair Parts Manual	311594				
	VDF Manual	311596				
	Pneumatic BPR Manual	311595				
	Pneumatic BPR/VFD Manual	311606				

Accessories

<p>15H884 Floor Stand Durable floor stand to mount pump including mounting hardware</p> <p>15J753 200/240 V Graco Programmed VFD kit Kit includes programmed VFD, braking resistors, AppsLite module</p> <p>15J754 380/480 V Graco Programmed VFD kit Kit includes programmed VFD, braking resistors, AppsLite module</p> <p>208997 Mechanical Back Pressure Regulator</p> <p>120373 Local I/O Box Local explosion proof pump control box</p>	<p>15H885 Ethernet Upgrade Kit Kit enables Ethernet connection from the Graco supplied VFD</p> <p>15J423 Inlet/Outlet Fitting for 2" Tri-Clamp to 2" NPT</p> <p>15J639 Inlet/Outlet Fitting for 2" Tri-Clamp to 1-1/2" Tri-Clamp</p> <p>15J422 Inlet/Outlet Fitting for 1-1/2" Tri-Clamp to 1-1/2" NPT</p> <p>15J755 Sensor Circuit Kit</p> <p>288117 Pneumatic Back Pressure Regulator, 1-1/4" NPT</p> <p>288262 Pneumatic Back Pressure Regulator, 2" Tri-Clamp</p> <p>288311 Pneumatic Back Pressure Regulator, 1-1/2" NPT</p> <p>288414 Gear Box Lubricant, 12 pack carton</p>
--	---

Diaphragm and Bellows Pumps

A great alternative to standard piston pump technology with conventional throat packings.

Husky™

Air operated double diaphragm pumps
Ideal for unloading above or below ground tanks of any size

- High flow - 378 l/min. (100 gpm) in a compact, portable size
- High-reliability closed center air valve that is online serviceable
- Epoxy-coated air section for tough environmental conditions
- Fluid pressure to 8.4 bar (0.84 MPa, 120 psi)
- Lube-free operation

Glutton®

The Glutton's bellows seal design provides low maintenance with no seals exposed to the atmosphere

- Bellows seal design eliminates conventional throat seals, providing high reliability for moisture-sensitive materials
- Reversible outlet manifold simplifies plumbing
- Vertical ball check design assures uniform ball wear and long life
- Bellows seal protects piston rod and piston seal from fluid and abrasive particles

Triton™

Quiet low shear, low pulsation pump delivers superior finish quality!

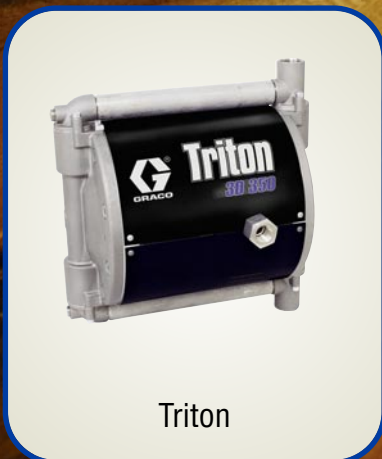
- Low pulsation output provides a high quality finish, consistent pattern and film on finished parts
- Low shear pumping action for minimal material degradation on circulating paints and coatings
- Diaphragm seal eliminates conventional throat packings and reduces maintenance costs



Husky



Glutton



Triton

Choose Graco quality parts and accessories to complete your system

Graco offers a complete line of accessories to maximize the performance of your paint system whether its a simple one gun spray package or a large circulation system.

Agitators

Graco offers a wide range of agitators including the Twistork agitator with patented helix shaped mixing blades and the LSA (low shear agitators). Select from air electric, or hydraulic driven units. Whether its for a 19 liter (5 gallon) pail or a 1200 liter (300 gallon) mix tank, Graco agitators will help maintain your paint or coating integrity.

Fluid Filters

Protect the components in your system against premature wear by selecting Graco fluid filters. Available in sizes up to 114 l/min. (30 gpm) and pressures up to 510 bar (51 MPa, 7400 psi) and screen mesh sizes up to 200, Graco has a fluid filter for your application.

Surge Suppressors

Reduce pulsation in your system and achieve uniform spray patterns by selecting from a wide variety of Graco surge tanks.

Fluid Pressure Regulators and Back Pressure Regulators

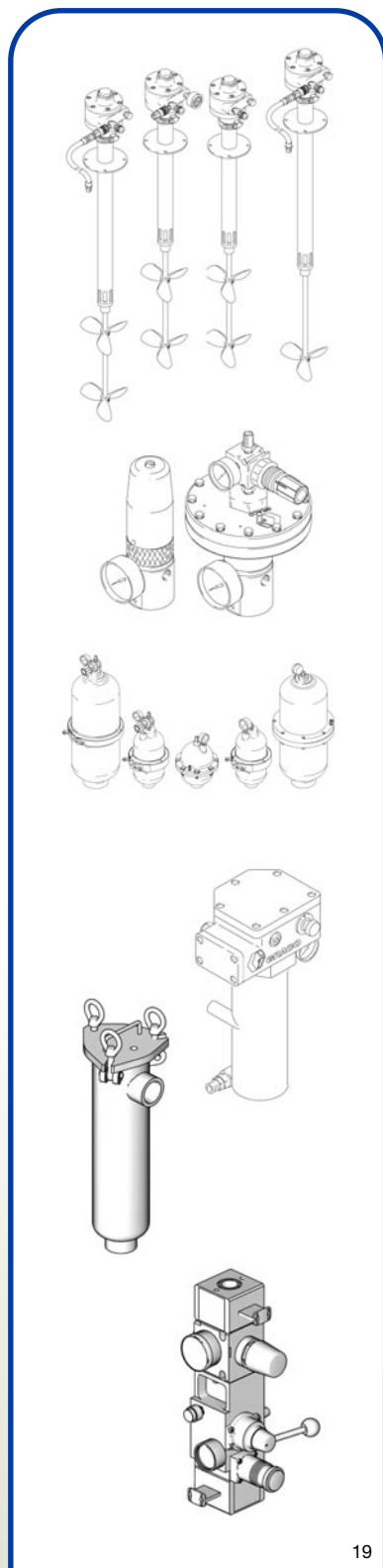
Pressure control is essential for a balanced fluid system. Graco offers a wide selection of fluid pressure regulators and back pressure regulators to optimize system performance.

Fluid Heaters

Graco's Viscount heaters provide consistent control of fluid viscosity by maintaining the optimal temperatures. The stainless steel design resists corrosion and is compatible with most materials.

Air Controls

Maximize performance of your system, by selecting Graco air supply accessories. Properly sized air filters, regulators, lubricators, and runaway valves, will keep your equipment in excellent working condition and reduce down time and repair costs.





ABOUT GRACO

Founded in 1926, Graco is a world leader in fluid handling systems and components. Graco products move, measure, control, dispense and apply a wide range of fluids and viscous materials used in vehicle lubrication, commercial and industrial settings.

The company's success is based on its unwavering commitment to technical excellence, world-class manufacturing and unparalleled customer service. Working closely with qualified distributors, Graco offers systems, products and technology that set the quality standard in a wide range of fluid handling solutions. Graco provides equipment for spray finishing, protective coating, paint circulation, lubrication, and dispensing sealants and adhesives, along with power application equipment for the contractor industry. Graco's ongoing investment in fluid management and control will continue to provide innovative solutions to a diverse global market.

GRACO LOCATIONS

CONTACT

MAILING ADDRESS

P.O. Box 1441
Minneapolis, MN 55440-1441
Tel: 612.623.6000
Fax: 612.623.6777

AMERICAS

MINNESOTA

Worldwide Headquarters
Graco Inc.
88-11th Avenue N.E.
Minneapolis, MN 55413

EUROPE

BELGIUM

European Headquarters
Graco N.V.
Industrieterrein-Oude Bunders
Slakweidestraat 31
3630 Maasmechelen,
Belgium
Tel: 32.89.770.700
Fax: 32.89.770.777

ASIA PACIFIC

JAPAN

Graco K.K.
1-27-12 Hayabuchi
Tsuzuki-ku
Yokohama City, Japan 2240025
Tel: 81.45.593.7300
Fax: 81.45.593.7301

ASIA PACIFIC

CHINA

Graco Hong Kong Ltd.
Representative Office
Room 118 1st Floor
No.2 Xin Yuan Building
No.509 Cao Bao Road
Shanghai, P.R. China 200233
Tel: 86.21.649.50088
Fax: 86.21.649.50077

ASIA PACIFIC

KOREA

Graco Korea Inc.
Choheung Bank Building
4th Floor #1599
Gwanyang-Dong, Dongan-Ku,
Anyang-Si, Gyunggi-Do,
Korea 431-060
Tel: 82(Korea).31.476.9400
Fax: 82(Korea).31.476.9801

All written and visual data contained in this document are based on the latest product information available at the time of publication.
Graco reserves the right to make changes at any time without notice.

Graco is certified ISO 9001.

Europe
+32 89 770 700
FAX +32 89 770 777
WWW.GRACO.BE