

8.1

# Pressure switch

## Type HED 1...20

Pressure up to 500bar



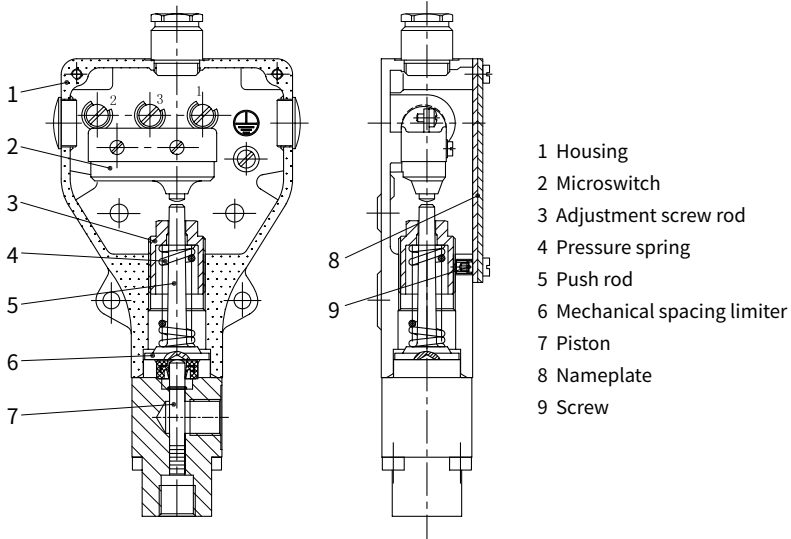
### Contents

Function and configuration	02
Symbols	02
Circuit typical examples	03
Specification	03
Technical data	04
Characteristic curves	05
Unit dimensions	06

### Features

- With or without drain port
- For threaded connection

## Function and configuration



### Usage:

When the hydraulic system receives the set pressure, the pressure switch will send out an electric signal to begin sequent operation or security protection by controlling some electric components.

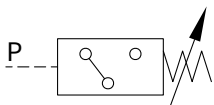
### Adjustment of the switching pressure:

To adjust the switching pressure, the nameplate (8) must first be removed then loosen the screw (9). The switching pressure is set by rotating the adjustment screw (3). After adjusting, refit the name plate (8) and tighten the screw (9).

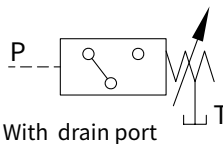
08

## Symbols

### Electric circuit

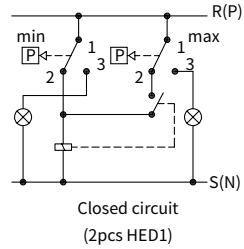
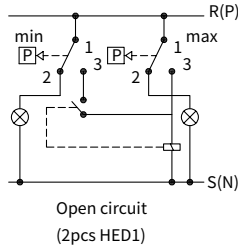
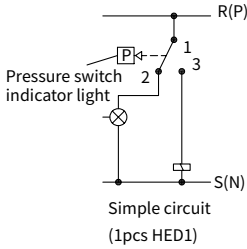


Without drain port



With drain port

## Circuit typical examples



## Specification

HED1		A	20	/	/	*
------	--	---	----	---	---	---

Piston type pressure switch

With drain port = K

Without drain port = O

Series 20 = 20

Further details in clear text

Connection thread

No code = Inch threaded (G1/4)

2 = Metric threaded (M14×1.5)

No code =

NBR seals

V =

FKM seals

max. adjustable pressure 100bar=10	HED1K
max. adjustable pressure 350bar=35	
max. adjustable pressure 500bar=50	
max. adjustable pressure 50bar=5	HED10
max. adjustable pressure 100bar=10	
max. adjustable pressure 350bar=35	

## Technical data

Fluid		Mineral oil and Phosphate ester			
Fluid temperature range		°C	-30 to +80		
Viscosity range		mm <sup>2</sup> /s	10 to 800		
Switchover precision		<2% setting range			
Switchover frequency	HED1 KA 20/	Up to 300 times/min			
	HED1 OA 20/	~ 50 (briefly also... 100) /time/min.			
Pressure in drain port		~ 2bar			
<b>Setting ranges for HED 1 KA 20/..(bar)</b>					
Pressure rating	Max. operating pressure briefly	Falling pressure		Rising pressure	
		min.	max.	min.	max.
100	600	3	92	6	100
350	600	6	325	10	350
500	600	10	465	20	500
<b>Setting ranges for HED 1 OA 20/..(bar)</b>					
Pressure rating	Max. operating pressure briefly	Falling pressure		Rising pressure	
		min.	max.	min.	max.
50	80	2	45	3.5	50
100	350	3	82	8	100
350	350	6	295	20	350
Electrical connection		Cable gland (max.cable diameter is 11 mm) PG 11 plug-in connector			
Connection cross section	Cable gland	mm <sup>2</sup>	~4		
Contact loading	AC		460V, 15A		
	DC		40V, 1A; 125V, 0.4A; 250V, 0.2A		
For DC voltages with inductive loading spark suppression is recommended to increase service life.					
Insulation to DIN40050		IP65			
Weight		0.8kg			

**Characteristic curves** (Measured at  $t=40^{\circ}\text{C} \pm 5^{\circ}\text{C}$ , using HLP46)

