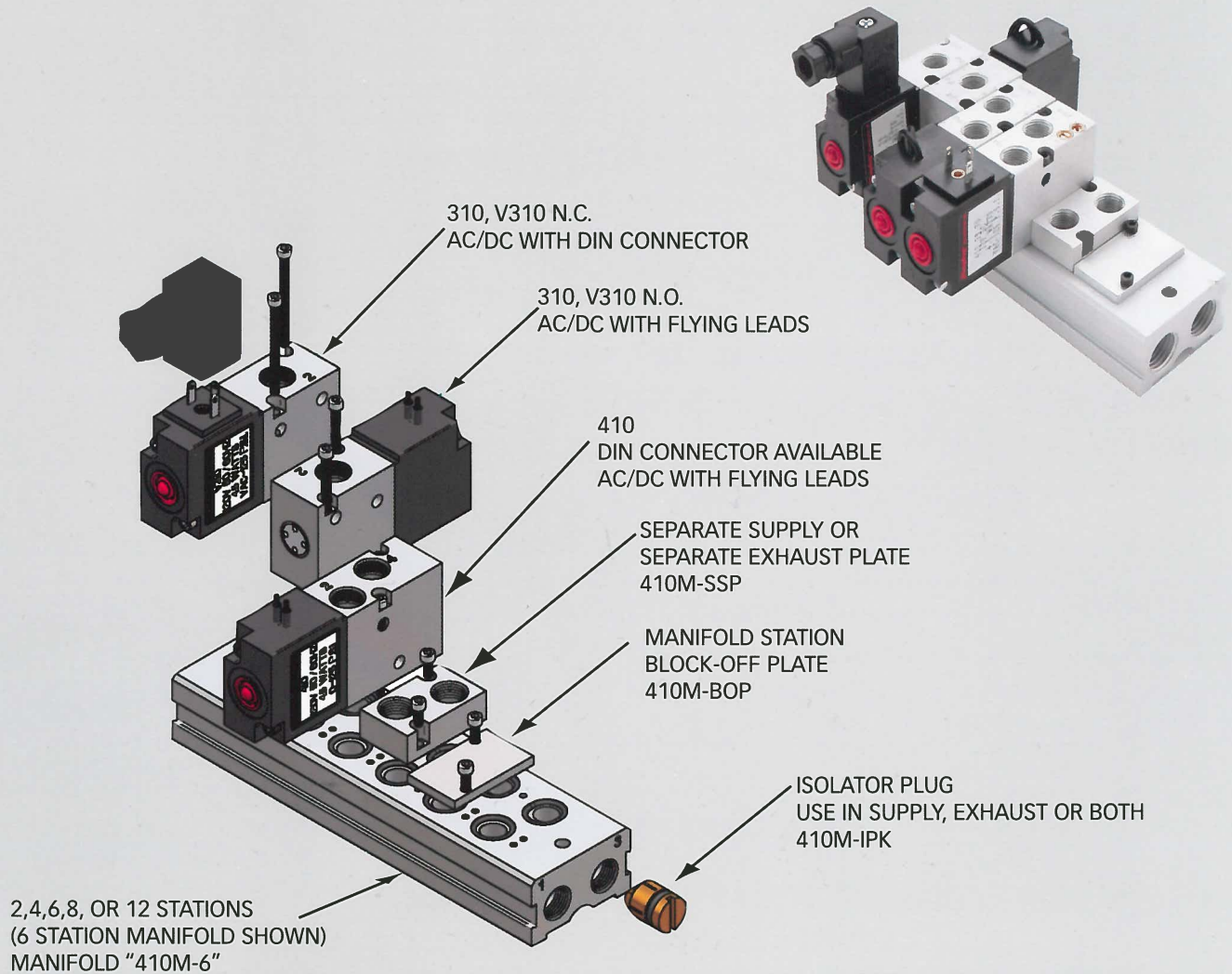


Humphrey[®]
Build On Our Experience

410M Series Manifolds

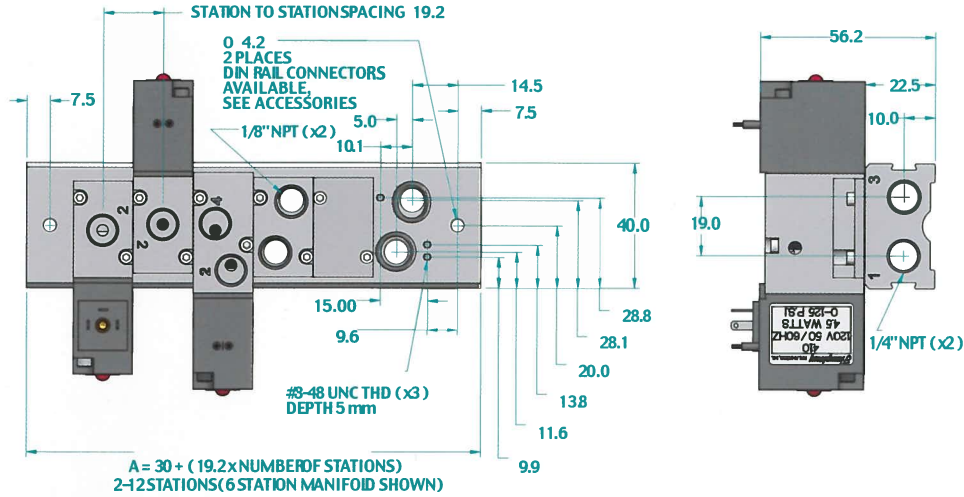
Accepts 310 and/or 410 Series In-Line Valves



- Standard Model 310 and 410 In-Line valves now incorporate 0.113" diameter, counterbored mounting holes, permitting mounting of in-line valves to new 410M manifold.
- Manifolds are available in 2, 4, 6, 8 or 12 station lengths and furnished with a 410M-VMK (Valve Mounting Kit/two "O" rings and two screws) per station. Consult factory for other manifold lengths.
- Manifold galley stamped 1 is common media supply port. Galley stamped 3 is common vent/exhaust port. Isolator plug 410M-IPK option permits isolation of galleys for separation of pressure/media/exhaust.
- Three way valve Model 310 mounting orientation to manifold determines normally closed (NC) or normally open (NO) function. Note: Valve supply port 1 is located nearest to valve's solenoid/coil.
- See Valve Catalog or website (www.humphrey-products.com) for detailed valve specifications.

Dimension View

Manifold for Humphrey Valves Model V310/310/410
Model Number 410M- (Specify No. of Stations)

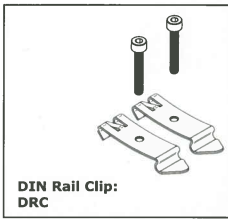


Dimensions in Millimeters (mm)

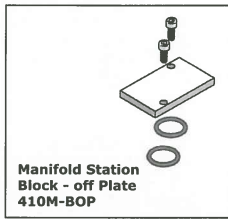
Material: Aluminum Alloy 6065 T5 Extrusion (Anodized)

Din Rail
Connectors
Available - See below

Accessories



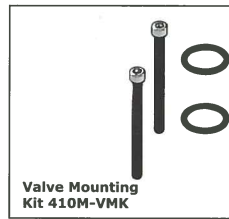
Kit includes (2) clips and (2) screws



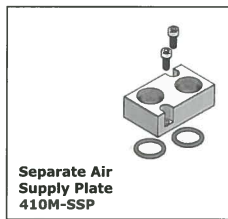
Anodized aluminum plate furnished with Buna O-ring seals (2) and black oxide coated steel screws (2).



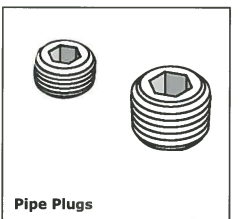
Sockets for Code 39 DIN connectors available with (HS-2L) or without (HS-2) indicator light. See catalog or website for details.



Mounting screws and O-ring seals. Two (2) each furnished with each manifold station. Order separately as Model 410M-VMK.



Anodized aluminum plate furnished with Buna O-ring seals (2) and black oxide coated steel screws (2).

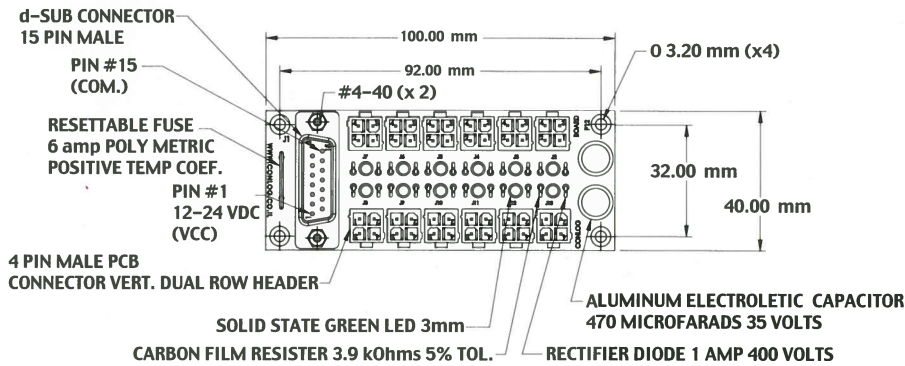


Available for unused ports. 1/8 pipe (P/N 130-31) 1/4 pipe (P/N 130-15).

Control Board 12 Station P-12

Control Board 410M-CBK simplifies electrical connections between valves and/or sensors. A d-sub connector provides convenient means to supply power and on/off signal to each valve. Valves and sensors connect to board via 4-pin Molex Mini-Fit Jr. Series connectors*. Board's thermal fuse protects against shorted conditions. LED's indicate valve and sensor status, diodes provide voltage suppression for each valve coil. Board mounts separately from manifold.

* Male Receptacle #39-01-2040 or #39-01-3042.....Female Crimp Terminal #39-00-0038 (Reel) or #39-00-0039 (Loose)
(Hand crimping Tool # 11-01-0197 or 638111-5000.....Extraction Tool #11-03-0044)



Material Brass, Synthetic rubber

ISOLATOR PLUG INSTALLATION

For application requiring two different pressures or pressure and vacuum.

Insert plug into gallery, and when oriented, tighten screw to compress plug, forcing o-ring against gallery wall.
Torque screw to 15-20 Kg/cm. Be careful not to over-torque the screw.

HOW TO ORDER: Example 410M-6 (6 stations)

Basic Manifold Model Number	Specify Number of Stations (2-12)
410M	2, 4, 6, 8 or 12

Factory assembly of valves and accessories to manifold/s is available. Use "Ship Assembled" Form #SA410M to designate locations when ordering.

Humphrey
Build On Our Experience

Humphrey Products Company • 5070 East N Ave • Kalamazoo MI 49048 USA
T.269.381.5500 • F.269.381.4113 • www.Humphrey-products.com

Copyright 2006 Humphrey Products Company
Form No: 410M