

## 3P 3-Way 10-32 UNF PIPE Single Push Button Valve 3P

*Humphrey*

[www.humphrey-products.com](http://www.humphrey-products.com)

Humphrey TAC 10-32 UNF ported, 2-, 3- or 4-way manual/mechanical air valves are attractive, compact and rugged. Available as spring return or detent functionality, TAC valves provide excellent flow for their relative size, and are ideal for panel-mount signaling or small-cylinder control, leaving pneumatic plumbing and tubing "behind the scenes."

Hardened, stainless steel button bottoms out on valve collar, preventing overstroke and internal valve damage.

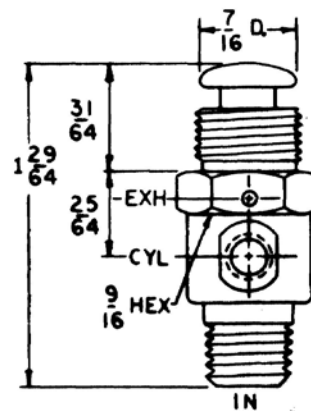
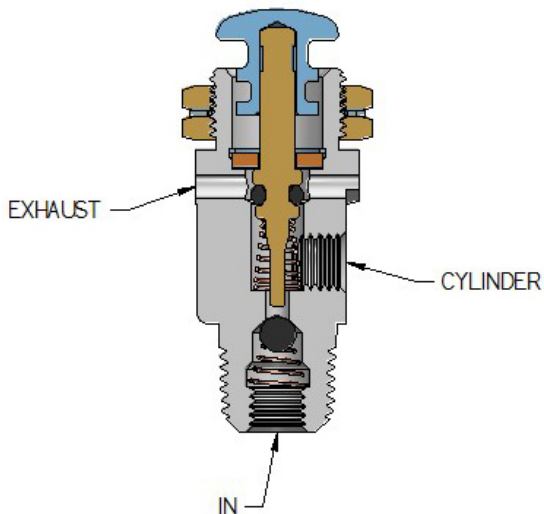
Emulating similar styled electric buttons and toggles, the operators and 15/32-32 threaded collar, enhances machine appearance.

Hex feature on valve body assists with mounting.

Standard panel-mount button design permits addition of various manual, mechanical or air operators.



CFM @ 100 PSIG	6.0 CFM
Cv	0.1
Body Material	Aluminum, Stainless Steel, Delrin
Air	Yes
Pressure Range	0.0 - 125.0 PSIG
Filtration	40 Micron Recommended
Lubrication	Recommended
Port Size	10-32 UNF
Porting	3 Way
Spring Return	yes
Type of Operation	Manual, Mechanical



### HOW TO ORDER HUMPHREY VALVES AND ACCESSORIES

- Go to [www.humphrey-products.com](http://www.humphrey-products.com)
- Select "Find A Distributor" and input your information to locate a distributor nearest you.
- Or, call Customer Service at 1-800-477-8707 for the name and phone number of your local distributor.

*Humphrey*

HUMPHREY PRODUCTS ARE SOLD WORLD-WIDE  
THROUGH AUTHORIZED DISTRIBUTORS

### HOW TO OBTAIN A 3D CAD DRAWING

- Go to [www.humphrey-products.com](http://www.humphrey-products.com)
- Using Internet Explorer 6.0 or later for Windows, select "Online Product Guide"
- Follow the steps to choose the valve you need.
- At "Product Overview" section, select "IE CAD VIEW" to download.

Information on this spec sheet is considered to proprietary to Humphrey. Specifications subject to change without notice. Please read WARNING and GENERAL GUIDELINES before using any Humphrey products.