

Humphrey Manual Valves

Humphrey manual valves are 2-way, 3-way, and 4-way valves featuring high flow and full orifice throughout their internal chambers. Simply designed for high reliability in rugged use, these compact valves require no lubrication. Bottom inlets are available for normally closed valves (except 250-4H and 501V valves). A 125 Series valve has a full 0.125-inch orifice. A 250 Series valve has a full 0.250-inch orifice, providing three times the flow of 125 Series valves.



125T 125T-3-10-21
Model 125T is a 0.125-inch orifice, heavy-duty lever valve that is easy to operate with fingers or thumb. Designed for reduced operator fatigue, the 125T is also excellent as a knee-operated valve. The actuator can be positioned (rotated) 360°, and the valve itself can be mounted in any position.



125T

250T 250T-3-10-21
Model 250T is a 0.250-inch orifice, heavy-duty lever valve that is easy to operate with fingers or thumb. Designed for reduced operator fatigue. The actuator can be positioned (rotated) 360°, and the valve itself can be mounted in any position.



250T

125V 125V-3-10-21
Model 125V is a 0.125-inch orifice, 2-position, normally closed, heavy duty valve with a straight-line 90° throw and positive detent in closed or open position. The large, rugged toggle will not wobble and permits visual identification of valve position. The actuator can be positioned (rotated) 360°.

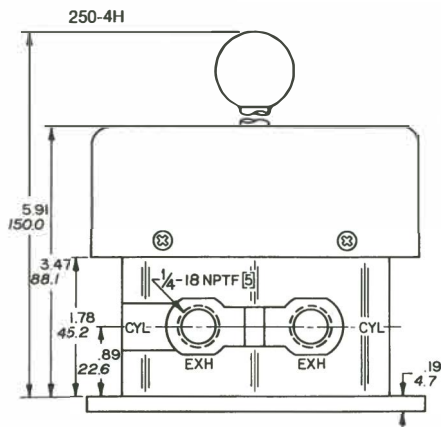
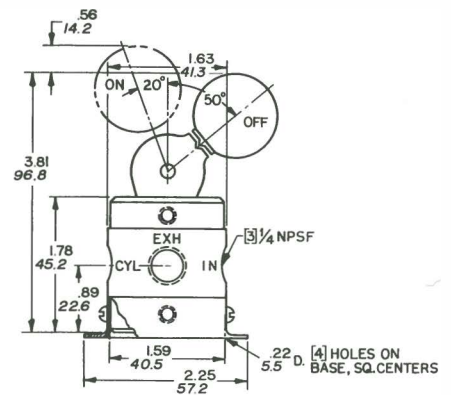
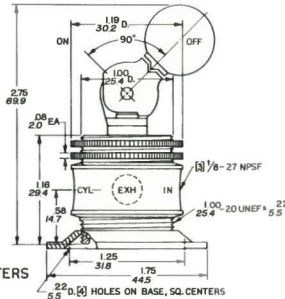
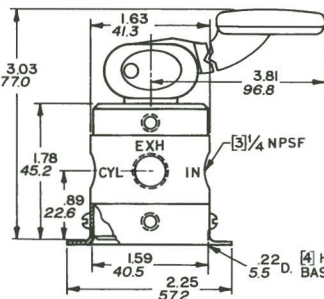
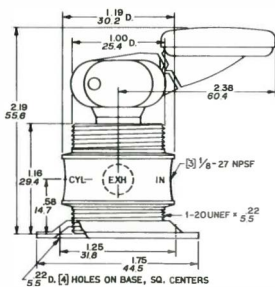


125V

125V for panel mounting 125V-3-10-22
Model 125V valve for panel mounting is identical to the 125V valve but may be ordered with Panel Mounting Nuts (Specify Code 22).

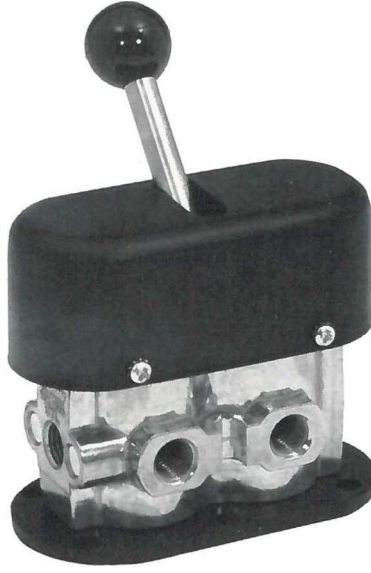


250V



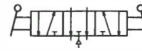


250V 250V-3-10-21
 Model 250V is a 0.250-inch orifice, detented, heavy-duty toggle valve providing positive detent in the closed or open position and a straight-line 70° throw. The actuator can be positioned (rotated) 360°. The base of the 250V may be used for either panel or bottom mounting.



250-4H 250-4H-21
 Model 250-4H is a 0.250-inch orifice, lever-operated valve. Moving the lever toward the inlet actuates right side; moving the lever toward the exhaust actuates left side; the center position is neutral. Mount

with four #10-32 tapped holes in body, with two slotted lugs on body, or on mounting base. The valve may be positioned on base in 90° increments.



Options for Humphrey Manual Valves

- Mounting Base, Code 21.
- Panel Mounting Nuts, Code 22 (125 Series valves only).
- Brass Body. (For 125 and 250 Series 3-way valves.)
- Viton A Diaphragms for resistance to mild chemicals and for sustained temperatures to 400°F (204.4°C) and intermittent temperatures to 600°F (315.5°C).
- Bottom Inlet for normally closed models (except 250-4H and 501V).

Specifications

MEDIA:
 Compressed Air (Consult factory for others)

PRESSURE RANGE:

All 125s: 0 to 125 psig (0 to 8.6 bars)

All 250s: 0 to 125 psig (0 to 8.6 bars)

TEMPERATURE RANGE:

-20 to 225°F (-28.9 to 107.2°C)

MATERIALS:

All 125s: Zinc Die Cast, Zinc Plated Steel, Aluminum, Brass, Stainless Steel, Buna N, Nylon

All 250s: Zinc Die Cast, Zinc Plated Steel, Aluminum, Brass, Stainless Steel, Buna N

LUBRICATION Not required

FILTRATION Not required

Air Flow to Atmosphere

MODEL	At 50 psig (3.5 bars)		At 100 psig (7.0 bars)		ACTUAL	
	25 PSIG CFM	(1.7 BARS) LPM	125 PSIG CFM	(8.6 BARS) LPM	LBS	KGS
125T 125V	4.5	127.3	24.3	679.2	.26 .24	.12 .11
250T 250V	25.0	707.5	75.0	2122.5	.70 .70	.30 .30
250-4H	22.0	622.6	70.0	1981.0	2.1	.94

Weight

Fill/Exhaust Times (Seconds)

MODEL	SUPPLY PRESSURE							
	At 50 psig (3.5 bars)				At 100 psig (7.0 bars)			
	Chamber Fill 0-40 psig (0-2.8 bars)		Exhaust 50-10 psig (3.5-7 bars)		Chamber Fill 0-80 psig (0-5.5 bars)		Exhaust 100-20 psig (7.0-1.4 bars)	
	10 Cubic Inches (164cc)	100 Cubic Inches (1640cc)	10 Cubic Inches (164cc)	100 Cubic Inches (1640cc)	FILL	EXHAUST	FILL	EXHAUST
All 125s	0.106	0.238	0.834	1.150	0.124	0.221	0.922	1.260
All 250s	0.032	0.044	0.312	0.433	0.033	0.059	0.324	0.565