

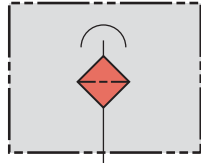
BL Series Spin-on Breathers



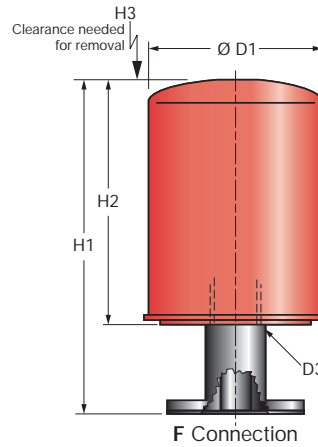
Specifications:

- Maximum flow rate 110 SCFM/850 GPM
- 3 or 10 micron
- Steel Canister
- 10 micron Betamicron®
- Replaceable element

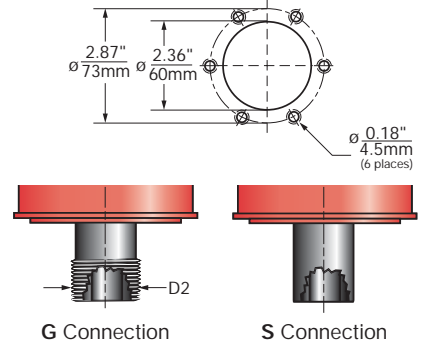
Hydraulic Symbol:



Dimensions:



Mounting Hole Pattern for Flange Connection (F)
(Flange Interface to DIN 24557/T2)



Size	D1	D2	D3	H1 (F or S)	H1 (G)	H2	H3
BL...80	3.67" Ø 93mm	3/4" NPT	1"-12UNF-2B	-	7" 178mm	5.4" 137mm	0.75" 19mm
BL...160	5.00" Ø 127mm	1 1/4" NPT	1 1/2"-16UN-2B	9.25" 235mm	8.75" 222mm	7" 178mm	1.00" 25.4mm
BL...180	5.00" Ø 127mm	1 1/4" NPT	1 1/2"-16UN-2B	13.25" 337mm	12.75" 324mm	11" 279mm	1.00" 25.4mm
BLT...160	5.33" Ø 136mm	1 1/4" NPT	1 1/2"-16UN-2B	9.25" 235mm	8.75" 222mm	7" 178mm	1.00" 25.4mm

Dimensions are for general information only, all critical dimensions should be verified by requesting a certified print.

Model Code: BL...

BL P 160 G 10 W 2 . 0

Filter Type

- BL = Spin-on Breather
- BLT = Spin-on Breather with Dehumidifying Element (size 160 only)(in 3 micron only)

Filter Element Material

- P = Impregnated Paper
- BN = Betamicron®
- M = Desiccant (type BLT only)

Size

- 080 = 35 SCFM (250 GPM) Max.
- 160 = 110 SCFM (850 GPM) Max.
- 180 = 110 SCFM (850 GPM) Max.

Type of Connection

- G = Threaded
 - F = Flanged
 - S = Weld Fitting
- Available in sizes BL 160 and BL 180 Only

Filtration Rating (micron)

- 3 = 3µm Air Filtration (paper only)
- 10 = 10µm Air Filtration

Gauge Options

- W = Without Indicator

Type Number

- | Size | Tank Connection |
|-------------|--|
| 1 = BLT 160 | 1 1/4" NPT Thread, Flange, or Weld Fitting |
| 2 = 160/180 | 1 1/4" NPT Thread, Flange, or Weld Fitting |
| 3 = 080 | 3/4" NPT Thread |

Modification Number (standard)

Model Codes containing red selections are non-standard items – Minimum quantities may apply – Contact **HYDAC** for information and availability
Not all combinations are available

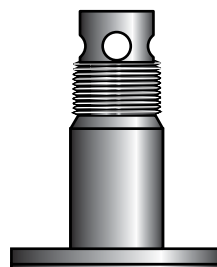
BL... Series Breather Components

Replacement Elements



Size	10 micron Paper	3 micron Paper	10 micron Betamicron	3 micron BLT
80	0080MA010P 02058058	0080MA003P 02058079	0080MA010BN 02059424	N/A
160	0160MA010P 02058116	0160MA003P 02058114	0160MA010BN 02059436	0160MU003P 01265765
180	0180MA010P 02058121	0180MA003P 02057912	0180MA010BN 02059440	N/A

Adapters



Fiber Gasket Sold Separately
Order Part Number 00247102

Size	G Threaded Adapter	F Flanged Adapter	S Welded Adapter
80	ADAPTER BL 080G 3/4" NPT NBR 02064393	N/A	N/A
160	ADAPTER BL 160/180 G 1 1/4" NPT NBR 02064394	ADAPTER BL 160/180 F (PHOS) 00407646 (w/out Gasket)	ADAPTER BL 160/180 S (PHOS) 00416311
180		02073864 (w/ Gasket)	



Spin-on BL80, BL160 and BL180



Adapter Spin-on to Bayonet
Part Number 02701342



Bayonet Flange shown on page 88.