

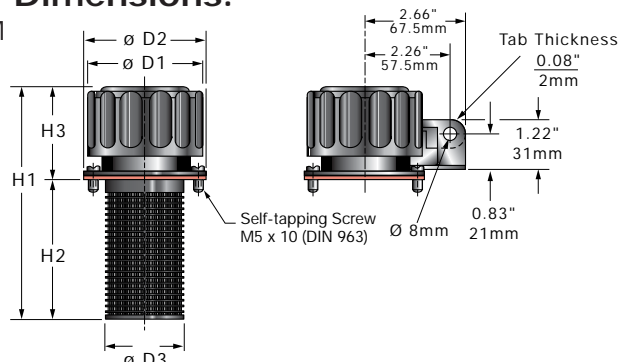
## ELF...3 & ELF...4 Series Filler Breathers



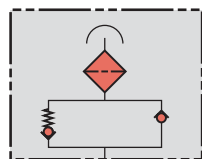
### Specifications:

- Maximum flow rate: 35 SCFM/250 GPM
- Epoxy coated steel cap
- Zinc-plated internals
- 3 or 10 micron
- 500 micron plastic filler basket
- Bayonet connection to access fill port
- Installs via 6 bolt circle (*bolts included*)
- Locking tabs (*optional*)
- Pressurized breather with relief valve (*optional - ELF3 only*)

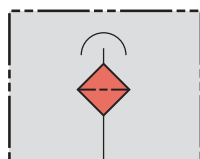
### Dimensions:



### Hydraulic Symbols:

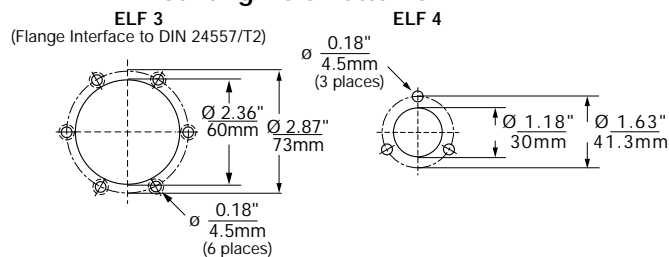


with relief valve (ELF3 only)



standard

### Mounting Hole Patterns



Size	D1	D2	D3	H1	H2	H3
ELF 3	Ø 2.99" 76mm	Ø 3.27" 83mm	Ø 2.05" 52mm	6.26" 159mm	3.80" 96.5mm	2.46" 62.5mm
ELF 4	Ø 1.73" 44mm	Ø 1.97" 50mm	Ø 1.10" 28mm	5.32" 135mm	3.21" 81.5mm	2.11" 53.5mm

### Model Code: ELF...3/4

Filter Type \_\_\_\_\_ **ELF** P 3 F 10 W 1 . 0 /

ELF = Filler Breather  
*ELFL* = *Lockable Filler Breather (not available for size 4)*

Filter Element Material \_\_\_\_\_

P = Phenolic Resin Impregnated Paper

Size \_\_\_\_\_

3 = 35 SCFM (250 GPM) Max.  
 4 = 10 SCFM (80 GPM) Max.

Type of Connection \_\_\_\_\_

F = Flanged \_\_\_\_\_

Filtration Rating (micron) \_\_\_\_\_

3 = *3µm Air Filtration*  
 10 = 10µm Air Filtration

Gauge Options \_\_\_\_\_

W = Without Indicator

Type \_\_\_\_\_

1 = ELF 3 and 4  
 4 = ELF 3 RV; Relief Cracking Pressure 10 psi; Reseat Pressure 6 psi  
 5 = *ELF 3 RV; Relief Cracking Pressure 13 psi; Reseat Pressure 10 psi*  
 6 = *ELF 3 RV; Relief Cracking Pressure 6 psi; Reseat Pressure 3 psi*

Modification Number (standard) \_\_\_\_\_

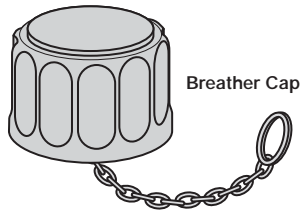
Supplementary Details \_\_\_\_\_

RV = Relief Valve (for use on Pressurized Tanks; ELFP3 only)  
 SO169H3.5 = 3.5 inch plated steel filler basket  
 SO169H6 = 6 inch plated steel filler basket  
 SO169H8 = 8 inch plated steel filler basket ] (ELFP3 only)

Model Codes containing selections listed in red italics are non-standard items – Minimum quantities may apply – Contact HYDAC for information and availability  
 Not all combinations are available

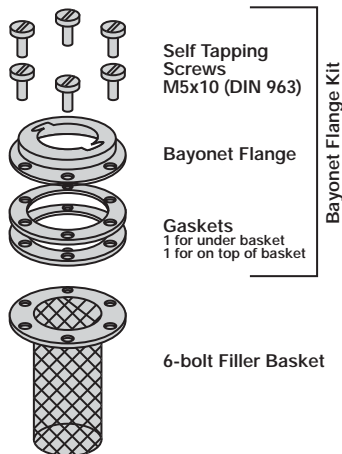
## ELF 3 Series Filler Breather Parts

### ELF 3 Breather Caps



Part	Model Code	Part No.
Breather Cap	ELF P 3 CAP 10 W 1.0 W/CHAIN	02080124
Breather Cap with 6 psi relief valve	ELF P 3 CAP 10 W 6.0/RV W/CHAIN	02080125

### 6 bolt Bayonet Flange



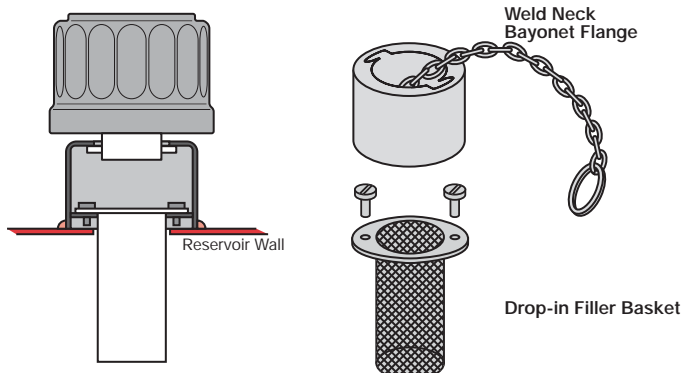
Part	Model Code	Part No.
Bayonet Flange Kit	ELF3 BAYONET FLANGE KIT ASSY	00002680

Note: Parts not sold separately

Part	Model Code	Part No.
3.5" Steel Filler Basket	ELF3 STRAINER BASKET 3.5" PLATED STEEL	02701474
6" Steel Filler Basket	<i>ELF3 STRAINER BASKET 6" PLATED STEEL</i>	<i>02701475</i>
8" Steel Filler Basket	ELF3 STRAINER BASKET 8" PLATED STEEL	02701441
4" Plastic Filler Basket	ELF3 STRAINER BASKET 4" PLASTIC	01202916

### Weld Neck Bayonet Flange

#### Installation Cross Section



Part	Model Code	Part No.
Weld Neck	ELF3 WELD NECK W/CHAIN	02080126

Part	Model Code	Part No.
Drop-in Strainer	ELF3 WELD NECK STRAINER	02078939

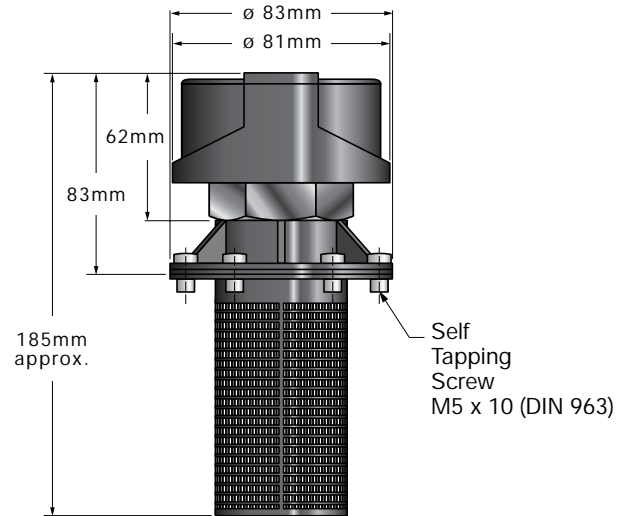
## ELF...30 Series Filler Breathers



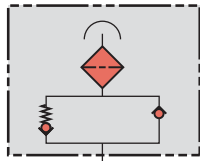
### Specifications:

- Maximum flow rate - 25 SCFM/200 GPM
- Durable synthetic material (PA6)
- 3 or 10 micron
- 500 micron plastic filler basket
- Threaded connection to access fill port
- Installs via 6-bolt circle (*bolts included*)
- Optional dipstick (*contact factory*)
- Optional customer logo (*contact factory*)
- Pressurized breather with relief valve (*optional*)

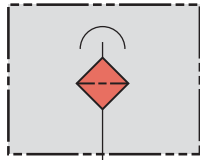
### Dimensions:



### Hydraulic Symbol:



with relief valve

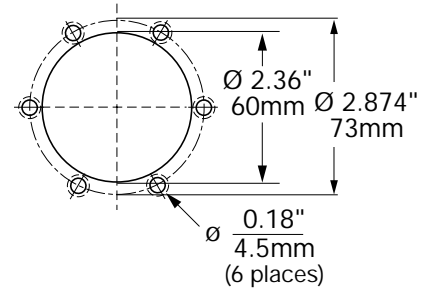


standard

### Mounting Hole Pattern

ELF 30

(Flange Interface to DIN 24557/T2)



### Model Code: ELF...30

Filter Type	ELF	P	30	F	10	W	1	.	X	/
ELF = Filler Breather										
Filter Element Material		P								
P = Phenolic Resin Impregnated Paper										
Size			30							
Type of Connection				F						
F = Flanged										
Filtration Rating (micron)					3					
3 = 3µm Air Filtration										
10 = 10µm Air Filtration										
Gauge Options						W				
W = Without Indicator										
Type							1			
1 = Flanged Connection to DIN 24557/T2										
Modification Number (standard)										
Supplementary Details										
(omit) = standard										
RV0.4 = Relief Cracking Pressure 6 psi; Reseat Pressure 3 psi										

Model Codes containing selections listed in red italics are non-standard items – Minimum quantities may apply – Contact HYDAC for information and availability  
Not all combinations are available

## ELF...7 Series Filler Breathers



### Specifications:

- Maximum flow rate - 65 SCFM/500 GPM
- Durable synthetic material (PA6)
- 3 or 10 micron
- 500 micron plastic filler basket
- Replaceable element
- Threaded connection to access fill port
- Installs via 6-bolt circle (*bolts included*)
- Differential gauge (*optional*)

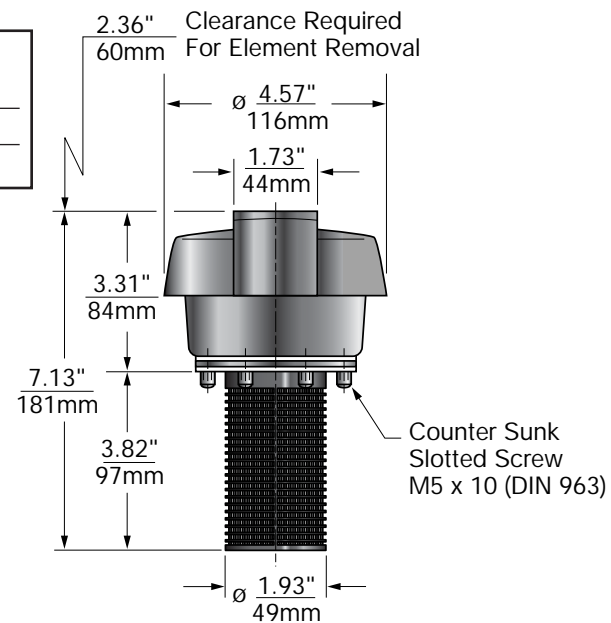
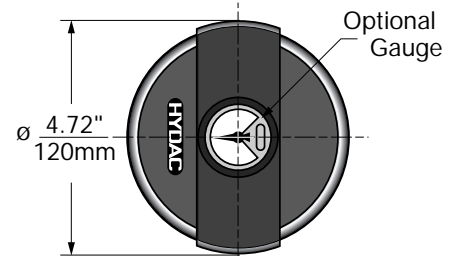


### Replacement Elements

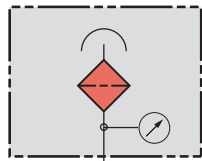
Micron	Model Code	Part No.
3	<i>0007L003P</i>	<i>00310948</i>
10	0007L010P	00310485

### Dimensions:

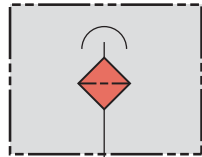
#### ELF 7



### Hydraulic Symbols:

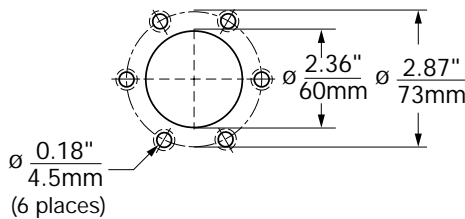


with gauge



without gauge

### Mounting Hole Pattern (Flange Interface to DIN 24557/T2)



### Model Code: ELF...7

#### Filter Type

ELF = Filler Breather

#### Filter Element Material

P = Phenolic Resin Impregnated Paper

#### Size

7

#### Type of Connection

F = Flanged

#### Filtration Rating (micron)

3 = *3µm Air Filtration*  
10 = 10µm Air Filtration

#### Gauge Options

W = Without Indicator  
K = With Gauge (Range: -14.5 to 9 psi)

#### Type

1 = (standard)

#### Modification Number (standard)

ELF P 7 F 10 K 1 . 0

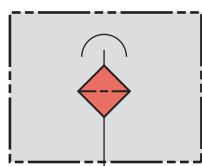
Model Codes containing selections listed in red italics are non-standard items – Minimum quantities may apply – Contact **HYDAC** for information and availability  
Not all combinations are available

## ELF...5 Series Filler Breathers

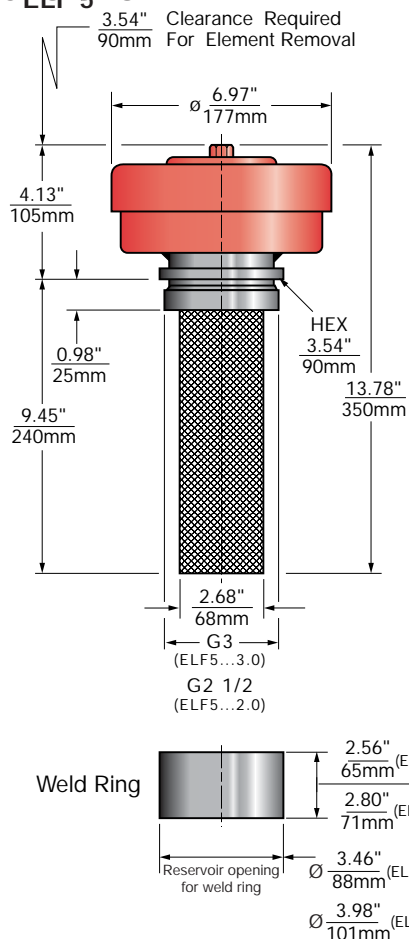


### Specifications:

- Maximum flow rate - 220 SCFM/1600 GPM
- Steel element housing
- 240 mm Zinc-plated metal filler basket
- 3 or 10 micron
- Replaceable element
- Removable Lid to access fill port
- Installs via threaded connection (*weld ring optional*)



### Dimensions:

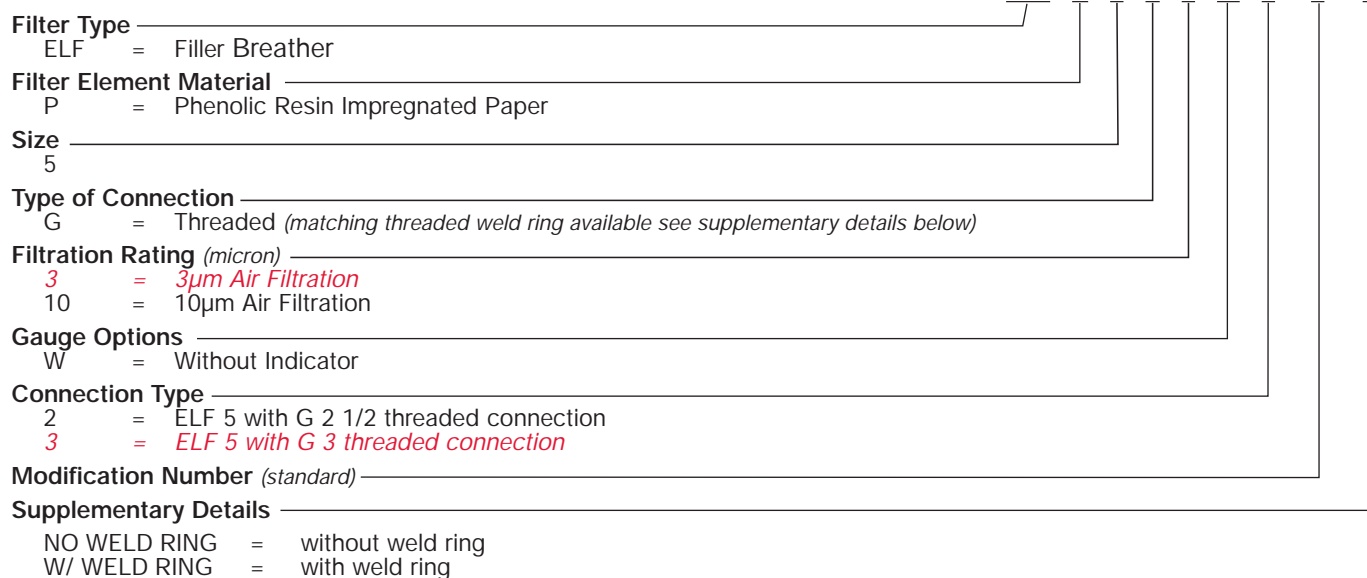


Replacement Elements		
Micron	Model Code	Part No.
3	<i>0005L003P</i>	<i>00309450</i>
10	0005L010P	00306097



Weld Rings		
Size	Model Code	Part No.
G 2 1/2	<i>RING WELD ELF 5 G 2 1/2</i>	<i>02065053</i>
G 3	RING WELD ELF 5 G 3	02065054

### Model Code: ELF...5



*Model Codes containing selections listed in red italics are non-standard items – Minimum quantities may apply – Contact HYDAC for information and availability  
 Not all combinations are available*