

High Pressure Ball Valves **HYDAC**

Ball Valve Locking Devices with Limit Switches



Description:

When remote indication of the valve position is required, a limit switch can be added to the valve assembly.

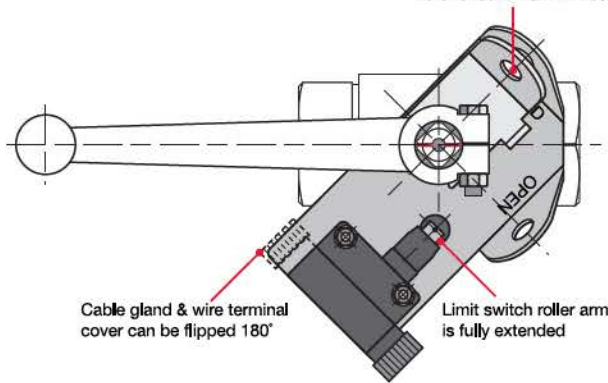
- A reliable single pole, double throw (SPDT) switch to indicate either open or closed position of a two-way valve
- Hermetically sealed
- Can be wired as Normally Open (N/O), or Normally Closed (N/C)
- Available for HYDAC valve sizes 20 through 50
- Mounting brackets serve as locking devices

Ordering:

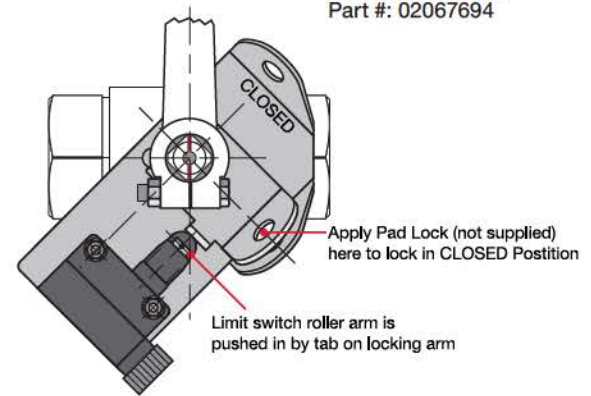
To Order a valve with Limit Switch, Add "-LS" to end of Valve Model Code, i.e.: KHM-32NPT-1114-16X-LS

Operation

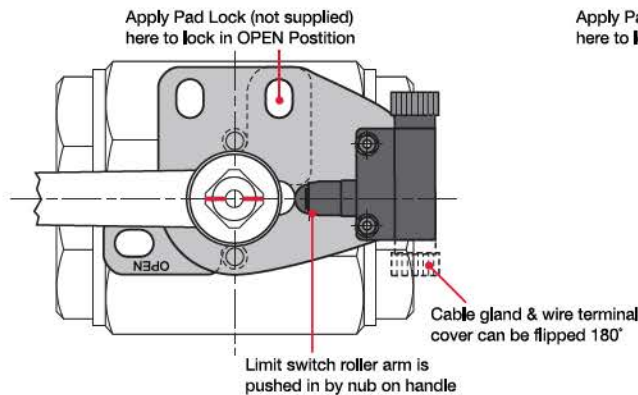
KHB..., KHP..., KH3..., KH4..., KHB3K... (block valve bodies, sizes 20 & 25)
Apply Pad Lock (not supplied) here to lock in OPEN Position



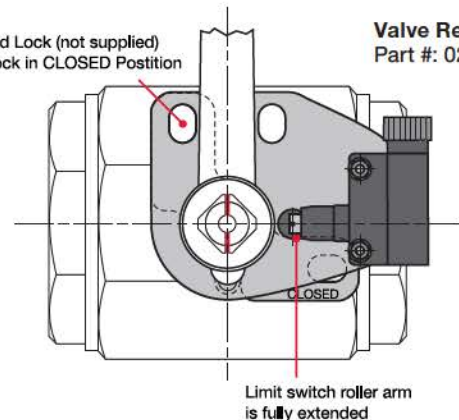
Valve Retrofit kit
Part #: 02067694



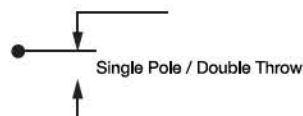
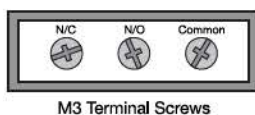
KHM... (forged valve bodies, sizes 32 through 50)



Valve Retrofit kit
Part #: 02063537



Wiring Details



Electrical Specifications

- NEMA 3, 4, 13 and IEC IP 67
- 5A-125, 250 VAC
- Temperature range: 14 to 158°F
- UL listed

Replacement Switch
Part #: 02700009