

Filler Breather Assemblies

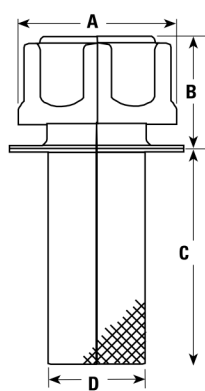
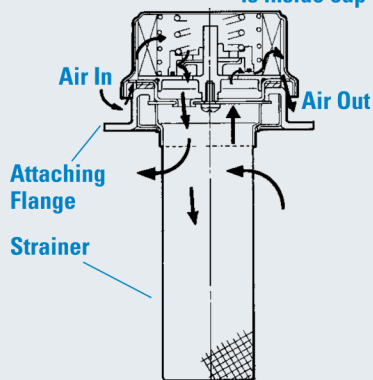
Features

- Removable 500 µm mesh strainer. (Except model P171848, which has a non-removable strainer.)
- 10 µm air breather/filter.
- Models P171855 & P171848 include drilled flanges with attaching screws.

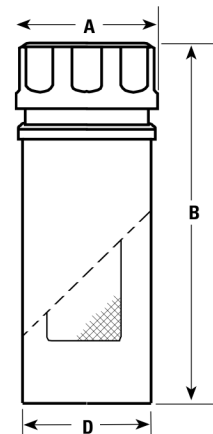
How it Works

As fluid levels rise and fall inside the reservoir, air flows in and out through the strainer and breather as shown below. The breather filter inside the cap removes contaminants as small as 10 µm from the air to keep airborne contaminant from entering the fluid. The strainer removes large particles from fluid as it is added to the reservoir.

Breather Filter is inside cap



**P171848
P171855
P171856**



**P171859
P171860**

Filler Breather Specifications

Part No.	Outer Dia. (in./mm)	FLANGE SPECIFICATIONS			Flow (gpm/lpm)	FILLER BREATHER SPECIFICATIONS			
		No. of Holes	Hole Dia. (in./mm)	Bolt Circle		A	B	C	D
Dimensions (in./mm)									
P171848	2.01/51	3	.22/5.5	1.61/41	70/270	1.81/45	1.38/35	2.48/63	1.1/28
P171855	3.31/84	6	.22/5.5	2.88/73	124/470	2.76/70	1.81/46	3.94/100	1.5/38
P171856	3.31/84	n/a	n/a		124/470	2.76/70	1.81/46	3.94/100	1.15/38
P171859		n/a - weldable			124/470	2.76/70	7.09/180	2.50/64	
P171860 *		n/a - weldable			124/470	2.76/70	7.09/180	2.50/64	

* For pressurized reservoirs at 5.8 psi/0.4 bar relief pressure.

Filler Cap Only (Replacement)

P173292 --- fits P171855, P171856, P171859

P173364 for pressurized reservoir --- fits P171860