

NOSHOK 1900 SERIES

TECHNICAL MANUAL

OCTAL PLUG-IN ACCESSORY POWER SUPPLY

1010 WEST BAGLEY ROAD
BEREA, OHIO 44017

PHONE 440/243-0888
FAX 440/243-3472

E-MAIL: noshok@noshok.com
WEBSITE: www.noshok.com

MODEL PS1 - OCTAL PLUG-IN ACCESSORY POWER SUPPLY

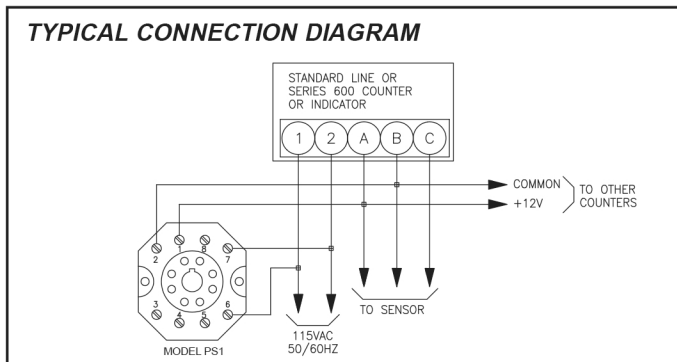
+12 VDC "HELPER" SUPPLY FOR LOAD SHARING WITH UNREGULATED COUNTER SYSTEMS WITH UNUSUAL SENSOR AND ACCESSORY LOADS, OR . . .

"STAND-ALONE" APPLICATIONS FOR POWERING SENSORS AND ACCESSORIES

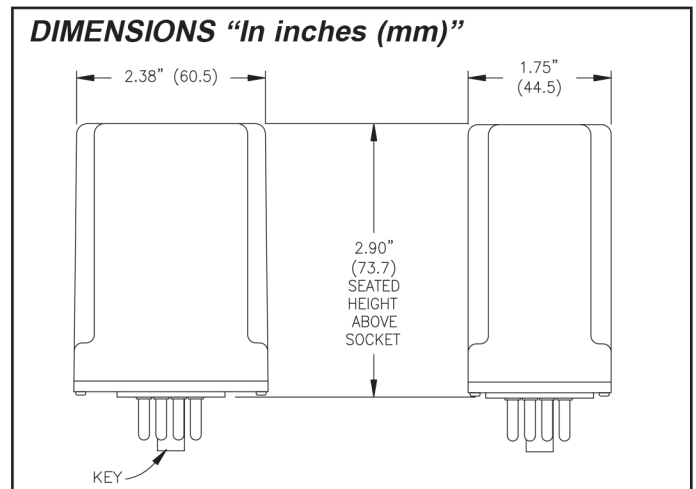
The Model PS1 is an unregulated +12 Vdc supply designed to load share when connected in parallel with internal power supplies of the 1900C.3 and 1900C.4 Indicators. It can also be used as a general purpose "Stand-alone" power supply to power other control circuits, sensors and accessories. The PS1 is furnished for 115 Vac or 230 Vac, $\pm 10\%$, 50/60 Hz primary supply. Operating temperature range is -20° to $+50^{\circ}\text{C}$. Output current is per regulation curve.



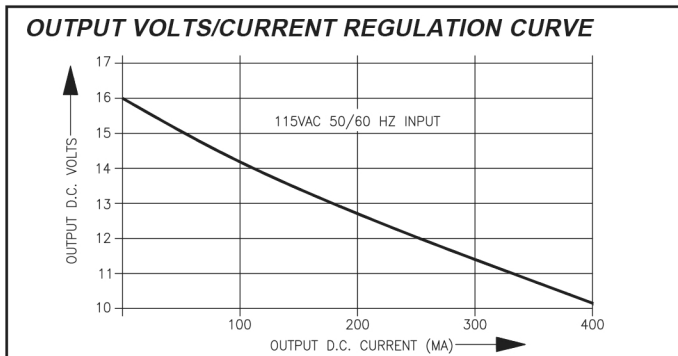
TYPICAL CONNECTION DIAGRAM



DIMENSIONS "In inches (mm)"



OUTPUT VOLTS/CURRENT REGULATION CURVE



NOSHOK

Corporate Headquarters

1010 West Bagley Road
Berea, Ohio 44017
Ph: 440.243.0888
Fax: 440.243.3472
E-mail: noshok@noshok.com
Web: www.noshok.com

ISO 9001:2015
REGISTERED