

NOSHOK 1900 SERIES

TECHNICAL MANUAL

OCTAL PLUG-IN ACCESSORY POWER SUPPLY WITH 20 mA CURRENT SOURCES

1010 WEST BAGLEY ROAD
BEREA, OHIO 44017

PHONE 440/243-0888
FAX 440/243-3472

E-MAIL: noshok@noshok.com
WEBSITE: www.noshok.com

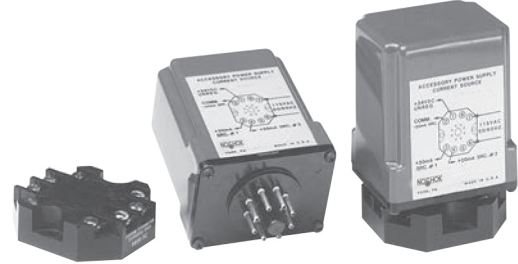
MODEL PS2 - Octal Plug-in Accessory Power Supply With 20 mA Current Sources

PROVIDES...

24 VDC UNREGULATED "HELPER" SUPPLY FOR LOAD SHARING WITH OTHER 24 VOLT SYSTEMS WITH UNUSUAL SENSOR AND ACCESSORY LOADS OR...

"STAND-ALONE" APPLICATIONS FOR POWERING +24 VDC SENSORS AND ACCESSORIES OR...

TWO 20 mA CURRENT SOURCES, EACH CAPABLE OF SUPPLYING 20 mA OF CURRENT FOR SERIAL COMMUNICATION LOOPS AND POWERING UP TO 16 UNITS PER LOOP.



DESCRIPTION

The Model PS2 is a convenient plug-in unregulated +24 VDC power supply designed to "load share" when connected in parallel with other +24 VDC unregulated systems with unusual power requirements due to sensor or accessory loading (see Fig.1). It can also be used as a general purpose stand-alone supply to power +24 VDC control circuits, sensors and accessories.

In addition, two 20 mA Current Source outputs are available, each capable of powering up to 16 Serial Communications units. The PS2 is available in 115 and 230 VAC ±10%, 50/60 Hz. primary supply. Operating temperature range is -20°C to +50°C.

SPECIFICATIONS

- POWER SOURCE:** 2 versions, 115 VAC or 230 VAC ±10%, 50/60 Hz., 11 VA max.
- POWER OUTPUT:** +24 VDC unregulated @ 200 mA max. current*, Ripple = 1.5 V P-P max.
- OUTPUT:** Two 20 mA current sources, each capable of supplying 20 mA of current for serial communication loops and powering up to 16 units per loop.
- OPERATING TEMPERATURE:** -20°C to +50°C (-4°F to +122°F)

* Maximum available output current derates to 175 mA with 1 source active and 150 mA max. with both sources active.

TYPICAL LOAD SHARING CONNECTION DIAGRAM

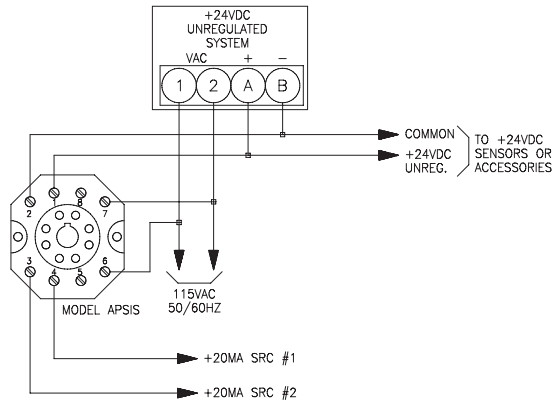
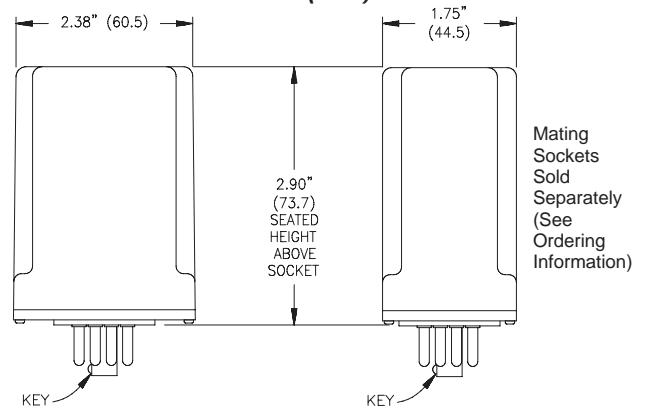
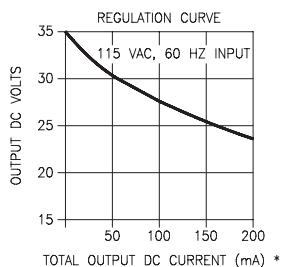


FIGURE 1

DIMENSIONS In inches (mm)



OUTPUT VOLTS/CURRENT



* Unregulated output +(2) 20mA current sources (if used).

*Unregulated output +(2) 20 mA current sources (if used).

NOSHOK

Corporate Headquarters

1010 West Bagley Road
Berea, Ohio 44017

Ph: 440.243.0888

Fax: 440.243.3472

E-mail: noshok@noshok.com

Web: www.noshok.com

ISO 9001:2015
REGISTERED