

**General Description**

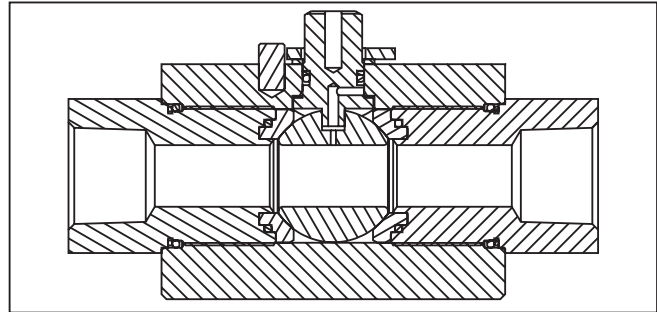
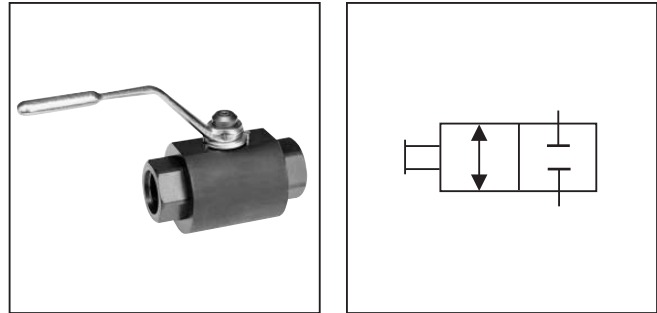
Series BVHH valves are used for shut-off applications and are rated at 690 Bar (10,000 PSI). These valves represent the strongest ball valve in the industry. Series BVHH valves come in ports 1/2" to 2" and SAE, NPT and BSPP ports.

**Operation**

Parker's 2-way ball valves operate to either off or full flow by rotating the handle 90°. Ball valves are not designed to be a metering or flow control device.

**Specifications**

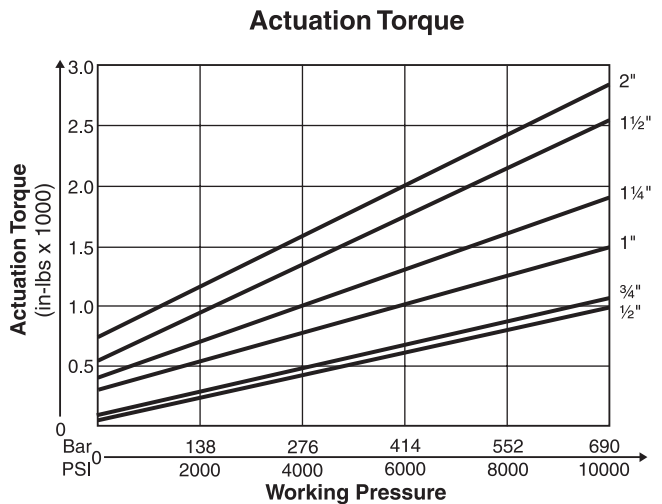
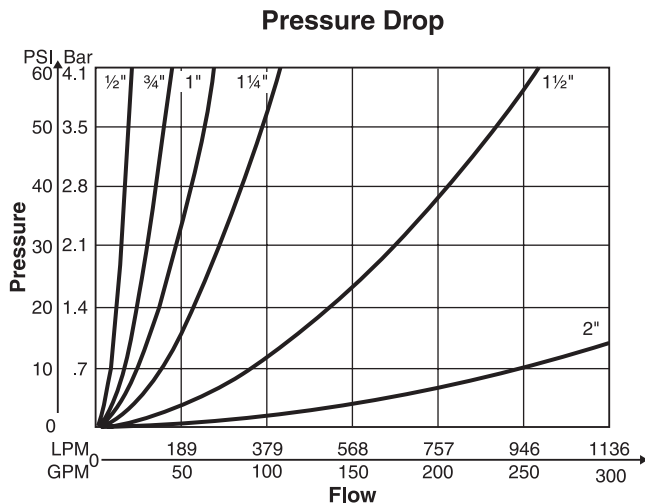
<b>Maximum Pressure</b>	690 Bar (10,000 PSI)
<b>Body Material</b>	Carbon Steel, Black Oxide
<b>Ball Material</b>	Steel, Chrome Plated Stainless Steel
<b>Stem Material</b>	Steel, Zinc Plated Stainless Steel
<b>Standard Handle</b>	Steel Offset, Nickel Plated
<b>Standard Ball Seals</b>	Delrin + MoS <sub>2</sub>
<b>Standard Shaft Seals</b>	O-Ring & Backup, Nitrile
<b>Temperature Range with Standard Seals</b>	-30°C to +100°C (-22°F to +212°F)



**Features**

- Encased Delrin moly ball seals increase the reliability compared to ring reinforcement designs.
- The BVHH is fully ported resulting in very low pressure drop.
- Nitrile seals are standard with fluorocarbon and EPR as options.
- The BVHH is available with options found in the 404 Bar (6000 PSI) models.

**Performance Curves**



<b>BVHH</b> Series	<input type="checkbox"/> Size	<input type="checkbox"/> Port	<b>S</b> Body Material	<input type="checkbox"/> Ball & Stem Material	<input type="checkbox"/> Ball Seals	<input type="checkbox"/> Shaft Seals	<input type="checkbox"/> Options	<input type="checkbox"/> Design Series NOTE: Not required when ordering.
-----------------------	----------------------------------	----------------------------------	---------------------------	--	--	---	-------------------------------------	---

Code	Size
08	1/2"
12	3/4"
16	1"
20	1 1/4"
24	1 1/2"
32	2"

Code	Description
N	NPT Thread
S	SAE Thread
B	BSPP Thread

Code	Description
S	Steel

Code	Description
S	Steel
K	Stainless Steel

Code	Description
N	Nitrile
V	Fluorocarbon
E	EPR

Code	Description
1	Delrin
4 †	Peek

† Typically not available with Nitrile. Consult factory.

Code	Description
Omit	No Options
A	Locking Handle
B	Security Locking Handle
★C	1-Way Limit Switch
★D	2-Way Limit Switch
*E	Panel Mount
G	Flat Non-offset Handle
★**K	1-Way Limit Switch w/Lock
★L	2-Way Limit Switch w/Lock

\* Cannot be combined with other options  
 \*\* Switch is set to indicate valve open condition  
 ★ When selecting this option, your ball valve will come with the limit switch bracket, but does not include the switch. The switch is sold separately (Part #LSB)

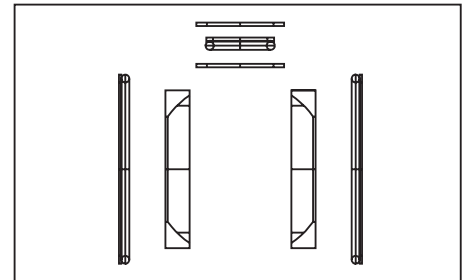
  

Code	kg (lbs.)
08	1.6 (3.5)
12	2.0 (4.5)
16	3.2 (7.0)
20	7.9 (17.5)
24	8.7 (19.25)
32	9.8 (21.5)

**Seal Kit Accessories**

Ball Valve Seal Kits restore a ball valve to factory specifications, providing no erosion or metal-to-metal wear has taken place.

The Seal Kit includes all the o-rings, ball seals and thrust bearings that were originally installed at the factory. A sketch of these parts is provided at the right.



**Ordering Information**

<b>SK</b> Accessory	<b>BVHH</b> Series	<input type="checkbox"/> Size	<input type="checkbox"/> Ball Seals	<input type="checkbox"/> Shaft Seals	<input type="checkbox"/> Design Series NOTE: Not required when ordering.
------------------------	-----------------------	----------------------------------	--	---	---

Code	Description
SK	Seal Kit

Code	Size
08	1/2"
12	3/4"
16	1"
20	1 1/4"
24	1 1/2"
32	2"

Code	Description
1	Delrin
4 †	Peek

† Typically not available with Nitrile. Consult factory.

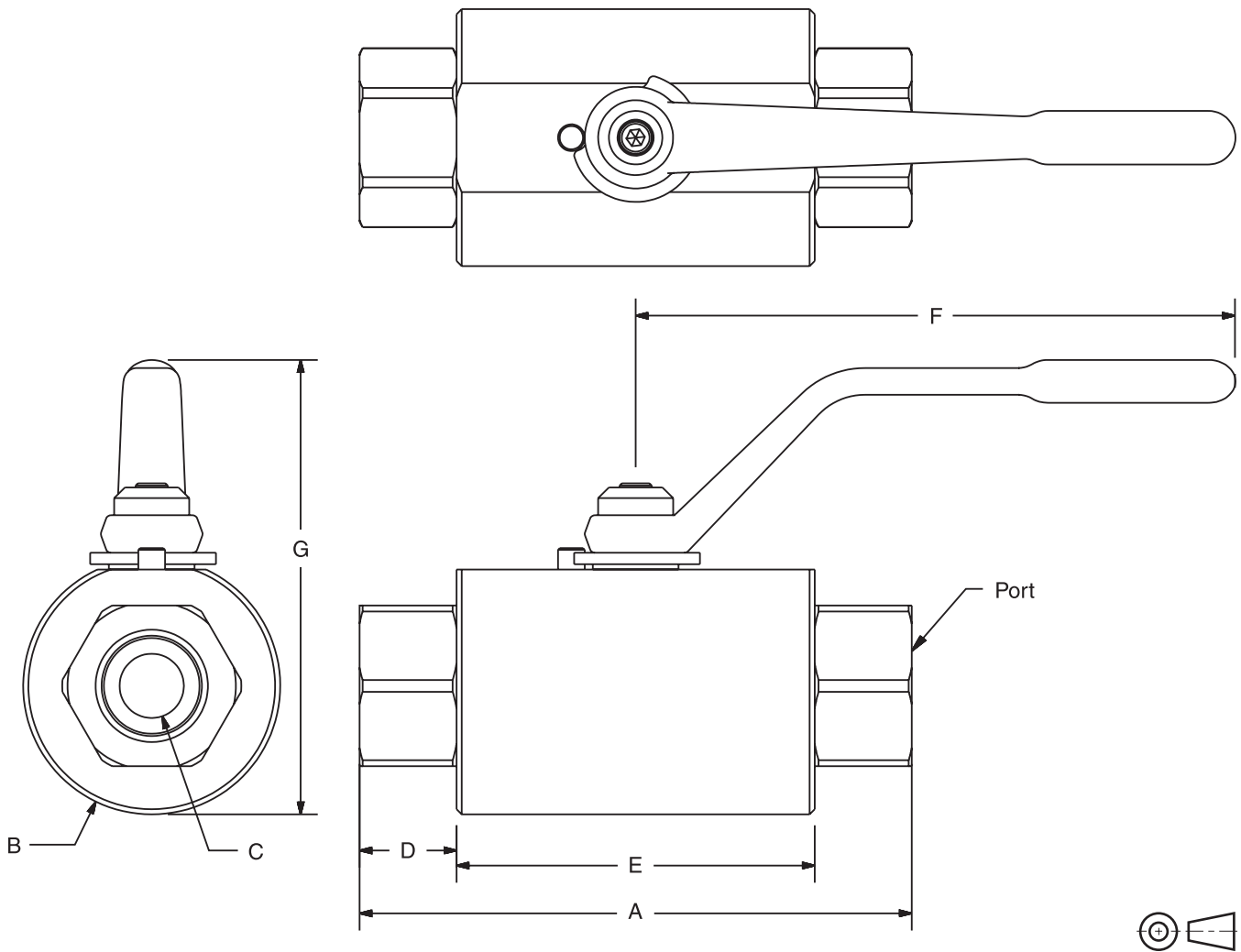
  

Code	Description
N	Nitrile
V	Fluorocarbon
E	EPR

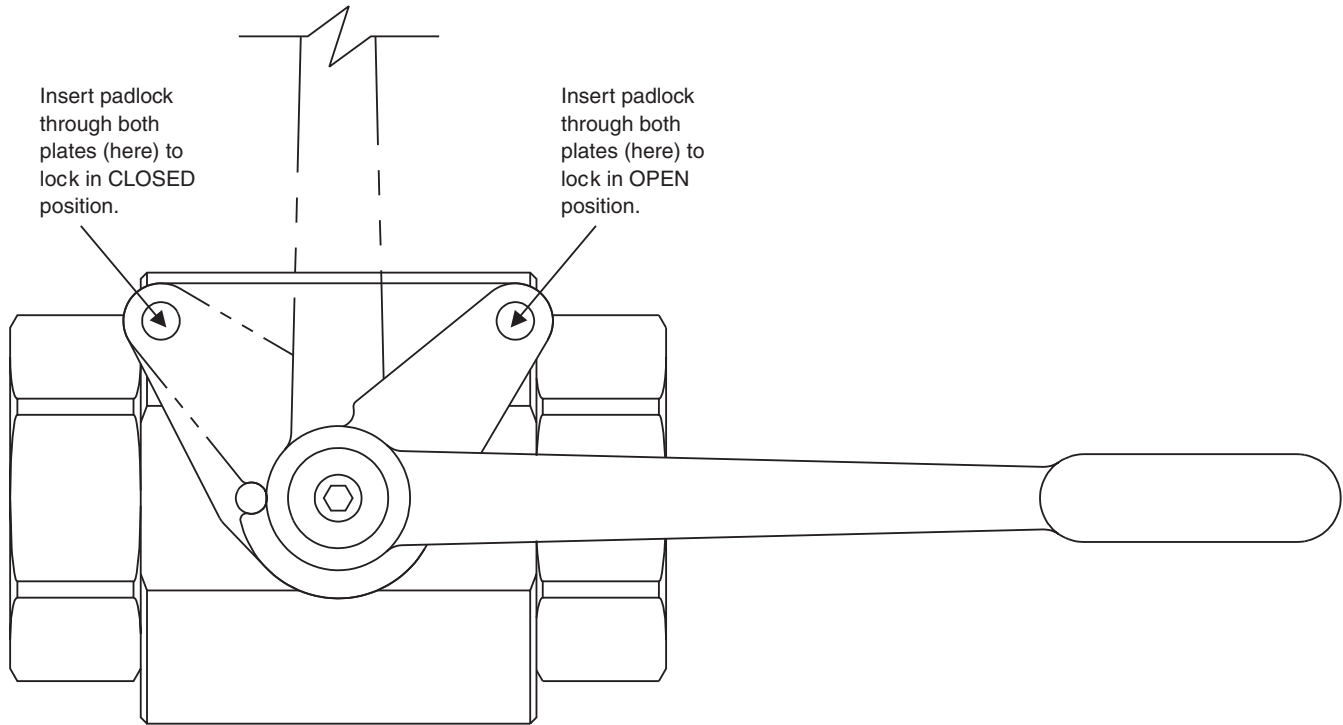
Series	Part Number
BVHH04	BVH-HS1
BVHH06	BVH-HS1
BVHH08	BVH-HS1
BVHH12	BVH-HS2
BVHH16	BVH-HS2
BVHH20	BVH-HS3
BVHH24	BVH-HS3
BVHH32	BVH-HS3

**Threaded Ports**



Code	Port Thread Size	Working Pressure	Dimensions mm (in)						
			A	B	C	D	E	F	G
<b>BVHH – NPT, SAE, and BSPP</b>									
08	1/2"	690 Bar (10,000 PSI)	107.2 (4.22)	44.5 (1.75)	9.7 (0.38)	22.1 (0.87)	62.5 (2.46)	114.3 (4.50)	83.1 (3.27)
12	3/4"	690 Bar (10,000 PSI)	119.9 (4.72)	63.5 (2.50)	14.2 (0.56)	19.1 (0.75)	82.3 (3.24)	177.8 (7.00)	122.9 (4.84)
16	1"	690 Bar (10,000 PSI)	135.1 (5.32)	69.9 (2.75)	19.1 (0.75)	25.7 (1.01)	83.8 (3.30)	177.8 (7.00)	129.3 (5.09)
20	1 1/4"	690 Bar (10,000 PSI)	157.5 (6.20)	88.9 (3.50)	22.9 (0.90)	28.1 (1.11)	100.9 (3.97)	250.4 (9.86)	165.1 (6.50)
24	1 1/2"	690 Bar (10,000 PSI)	157.7 (6.21)	101.6 (4.00)	28.7 (1.13)	27.2 (1.07)	102.9 (4.05)	250.4 (9.83)	175.5 (6.91)
32	2"	690 Bar (10,000 PSI)	186.7 (7.35)	114.3 (4.50)	38.1 (1.50)	26.2 (1.03)	133.9 (5.27)	250.4 (9.86)	192.8 (7.59)

**BVHPLK:** Standard Series 'BVHPLK-\*' kit replaces the stopwasher with a stationary and moving plate, as illustrated below. As the handle is actuated, the moving plate aligns with one of the two locking positions in the stationary plate, enabling the valve to be locked in either **fully closed** or **fully open** position.



**Ordering Information**

BVHH		Standard Locking (Part Number)
Code	Size	
08	1/2"	BVHPLK-1
12	3/4"	BVHPLK-2
16	1"	BVHPLK-2
20	1 1/4"	BVHPLK-3
24	1 1/2"	BVHPLK-3
32	2"	BVHPLK-3