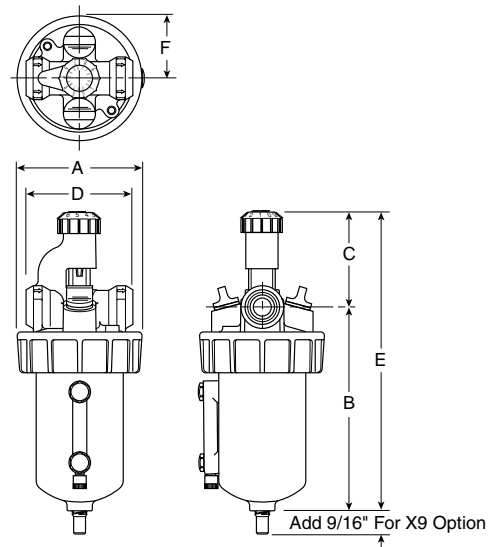


**L606 General Purpose Lubricators**



**Features**

- Metal Bowl with Sight Gauge & Drain - Standard
- Polycarbonate Sight Dome
- Bowl can be Filled while Air Line is Under Pressure
- Proportional Oil Delivery Over a Wide Range of Air Flows
- Large Capacity Bowl
- Precision Needle Valve Assures Repeatable Oil Delivery and Provides Simple Adjustment of Delivery Rate
- High Flow: 1/4" - 45 SCFM<sup>§</sup>  
 3/8" - 72 SCFM<sup>§</sup>



Port Size	NPT No Drain	BSPP No Drain
<b>Polycarbonate Bowl* / Plastic Guard</b>		
1/4"	<b>L606-02B</b>	L606G02B
3/8"	<b>L606-03B</b>	L606G03B
<b>Metal Bowl / Sight Gauge</b>		
1/4"	<b>L606-02W</b>	L606G02W
3/8"	<b>L606-03W</b>	L606G03W

L606 Lubricator Dimensions					
A	B	C	D	E	F
<b>L606-02B, L606-03B</b>					
2.98 (76)	4.76 (121)	2.22 (56)	2.50 (64)	6.98 (177)	1.49 (381)
<b>L606-02W, L606-03W</b>					
2.98 (76)	5.32 (135)	2.22 (56)	2.50 (64)	7.54 (192)	1.49 (38)

inches  
(mm)

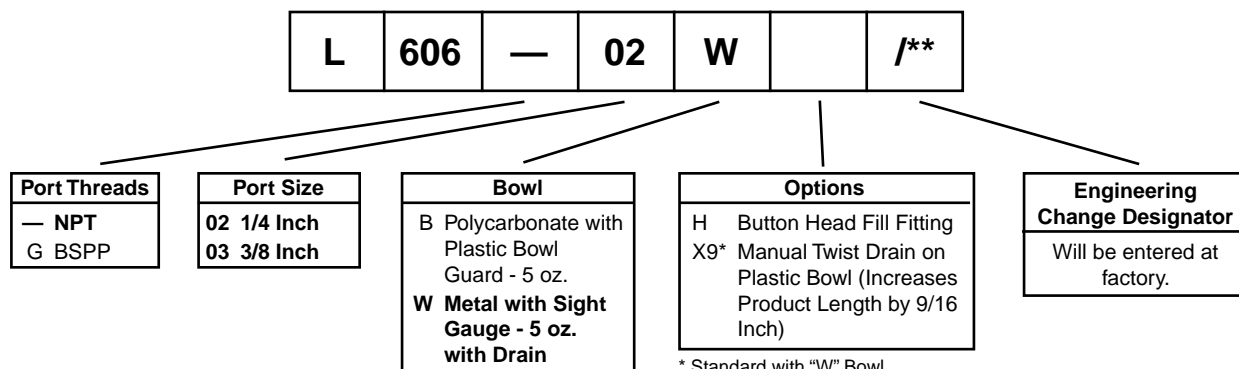
**Bold Items are Most Popular.**

For other models refer to ordering information below.

\* For polycarbonate bowl see Caution on page B2.

§ SCFM = Standard cubic feet per minute at 100 PSIG inlet, and 5 PSIG pressure drop.

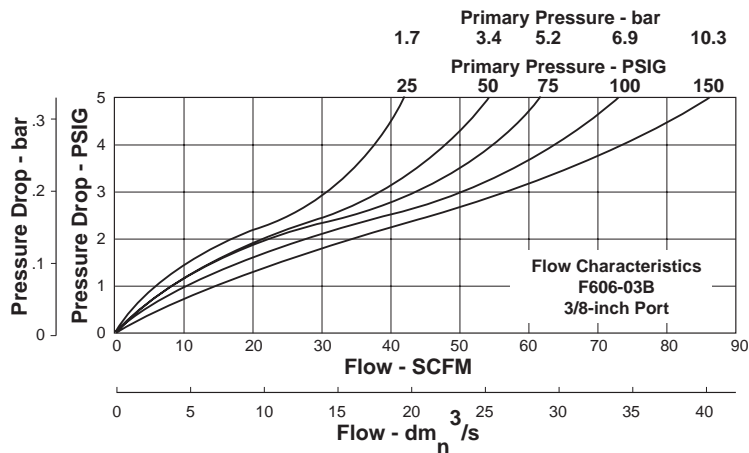
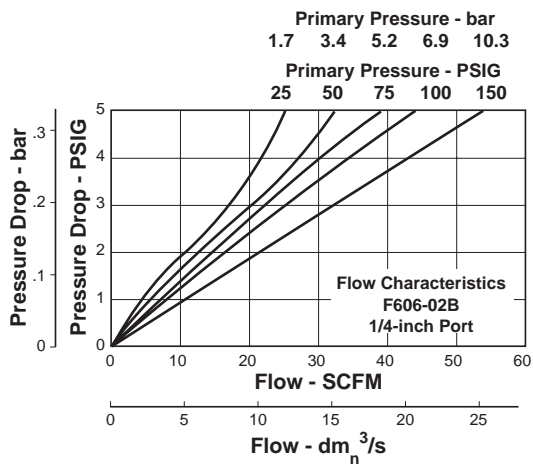
**Ordering Information**



\* Standard with "W" Bowl.  
 Optional with "B" Bowl.

**BOLD ITEMS ARE MOST POPULAR.**

Technical Information



L606 Lubricator Kits & Accessories

- Adjusting Knob ..... 606Y72
- Bowl Kits –**
- Polycarbonate with Plastic Bowl Guard (B) ..... BK606Y
- Zinc with Sight Gauge (W).....BK605WY
- Button Head Fill Fitting (M14 male thread)..... L606C14**
- Dip Tube Kit ..... DTK606**
- Drip Spout Kit .....RK606SY**
- Mounting Bracket ..... SAF602-0571**
- Repair Kits –**
- Needle Valve Assembly (B,W) ..... RK606Y
- Sight Gauge for “W” Bowl ..... RKB605WY

Specifications

- Bowl Capacity ..... 5 Ounces**
- Port Threads ..... 1/4, 3/8 Inch**
- Pressure & Temperature Ratings –**
- Polycarbonate Bowl..... 0 to 150 PSIG (0 to 10.2 bar)  
40°F to 125°F (4.4°C to 52°C)
- Metal Bowl ..... 0 to 250 PSIG (0 to 17.2 bar)  
40°F to 150°F (4.4°C to 65.6°C)
- Weight –**
- Polycarbonate Bowl ..... 1.8 lb. (0.82 kg) / Unit  
15 lb. (6.80 kg) / 8-Unit Master Pack
- Metal Bowl ..... 2.2 lb. (1.00 kg) / Unit  
17.6 lb. (7.98 kg) / 8-Unit Master Pack

Materials of Construction

- Body .....Zinc**
- Bowls –**
- Polycarbonate..... Polycarbonate with Polyethylene Guard
- Metal..... Zinc with Polyurethane Sight Gauge
- Drain ..... Brass**
- Seals ..... Buna N**
- Sight Gauge ..... Nylon**

