



# Brass Ball Valves Series 600 Six Port Diversion

MATERIALS OF CONSTRUCTION	
VALVE BODY:	FORGED BRASS
BALL:	CHROME PLATED BRASS
SEATS / SEALS:	PTFE
O-RINGS:	VITON
HANDLE:	STEEL

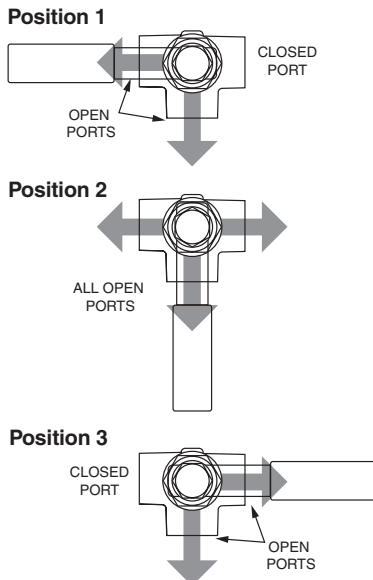
STYLE	TYPE	MATERIAL	SIZE	OPTIONS
V	600	P	-8	-00
STYLE	V-VALVE			
TYPE	600 - THREE POSITION 633 - TWO POSITION			
MATERIAL	P- BRASS			
SIZE	8-1/2"			

SPECIFICATIONS	
PRESSURE RANGE:	<ul style="list-style-type: none"> <li>• 150 PSI</li> <li>• VACUUM SERVICE TO 29 INCHES HG.</li> </ul>
TEMPERATURE RANGES:	0° TO +250°F
OPERATING INSTRUCTIONS	POSITION HANDLE IN QUARTER-TURN INCREMENTS TO DESIRED FLOW CONFIGURATION. DETENT MECHANISM ASSISTS IN ACCURATELY POSITIONING HANDLE.

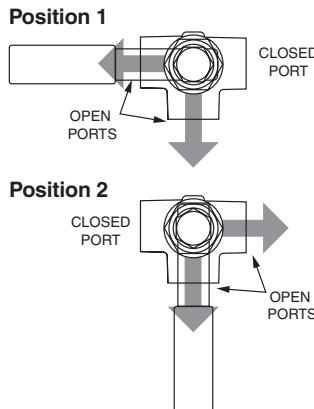


This valve can be used on applications where a fluid return or spillback is required. For use on construction equipment, chemical processing, diesel engines, filter banks, pumps and specialized industrial machinery.

### Series 600 Handle Positions

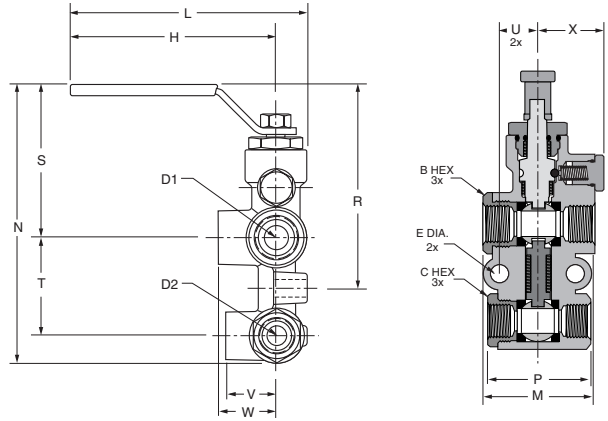


### Series 633 Handle Positions



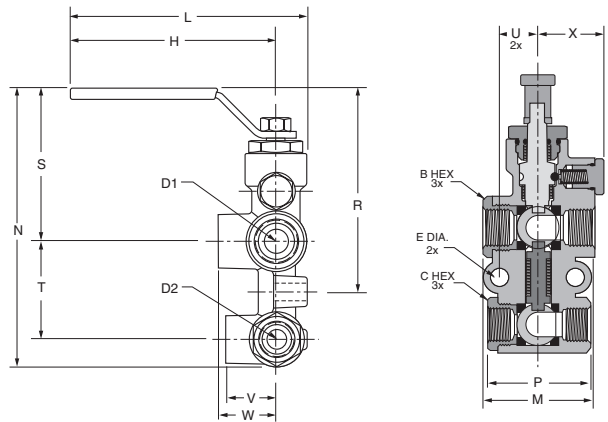
NOTE: Diversion valves do not have off positions, therefore, the center ports can not be used for shut-off purposes.

K



**Six Port Diversion Brass Valve XV600P**

PIPE THD. PART NO.	PIPE THD. TOP PORT SPL SHORT	BOTTOM PORT PTF	B HEX	C HEX	D1 FLOW	D2 FLOW	E	H	L	M	N	P	R	S	T	U	V	W	X
XV600P-8-6	1/2	3/8	1 1/16	15/16	.500	.375	.34	3.96	4.56	2.20	5.43	2.03	3.98	2.99	1.91	.73	.98	1.12	1.31



**Six Port Diversion Brass Valve XV633P**

PIPE THD. PART NO.	PIPE THD. TOP PORT SPL SHORT	BOTTOM PORT PTF	B HEX	C HEX	D1 FLOW	D2 FLOW	E	H	L	M	N	P	R	S	T	U	V	W	X
XV633P-8-6	1/2	3/8	1 1/16	15/16	.500	.375	.34	3.96	4.56	2.20	5.43	2.03	3.98	2.99	1.91	.73	.98	1.12	1.31

\*PTF Special Short. \*\*PTF Special Extra Short

