



Bolt connection terminal blocks

PHOENIX CONTACT – in dialog with customers and partners worldwide

Phoenix Contact is a worldwide market leader in the field of electrical engineering and automation. Founded almost 90 years ago, the family company now employs around 12,300 people. A sales network with over 46 subsidiaries and more than 30 additional sales partners guarantees customer proximity directly on site, anywhere in the world.

Our range of services consists of products surrounding various different electrotechnical applications. This includes various different connection technologies for device and machine manufacturers, components for modern control cabinets as well as tailor-made solutions for numerous applications and sectors: such as industrial automation, power supply, E-mobility or urban infrastructure.



Global player with personal customer contact

Company independence is an integral part of our corporate policy. Phoenix Contact therefore relies on in-house competence and expertise in a range of contexts: the design and development departments constantly come up with innovative product ideas, developing special solutions to meet customer requirements. Numerous patents emphasize the fact that many products were developed exclusively by Phoenix Contact.



Bolt connection terminal blocks

The bolt connection terminal blocks have been developed with a rugged design and for the convenient wiring of ring cable lugs. The key feature of the RT and OTTA terminal blocks is the folding wing which can be swung up and which features a captive cap nut. This guarantees quick and easy ring cable lug wiring. The integrated screw locking in the form of a spring retainer guarantees safe use, even in applications which are subject to shocks and vibrations.

All ring cable lugs which comply with DIN 46234, DIN 46235 or DIN 46237 can be connected.

A special characteristic of the bolt connection is the multi-conductor connection, which is often necessary, on which up to four cable lugs per bolt can be connected. All types of conductors of up to 300 mm² can be thus wired securely and with long-term stability



RT – Bolt connection terminals

Page 4

OTTA – Bolt connection terminals

Page 8

HV – and UHV – Bolt connection terminals

Page 12

RBO – Bolt connection terminals

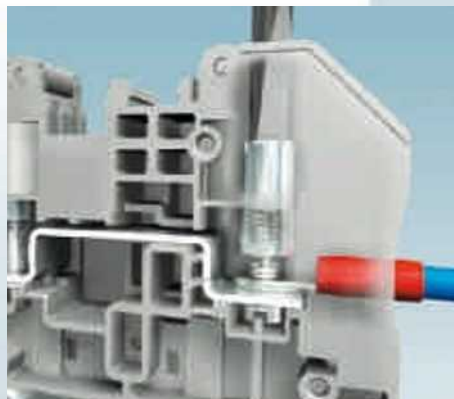
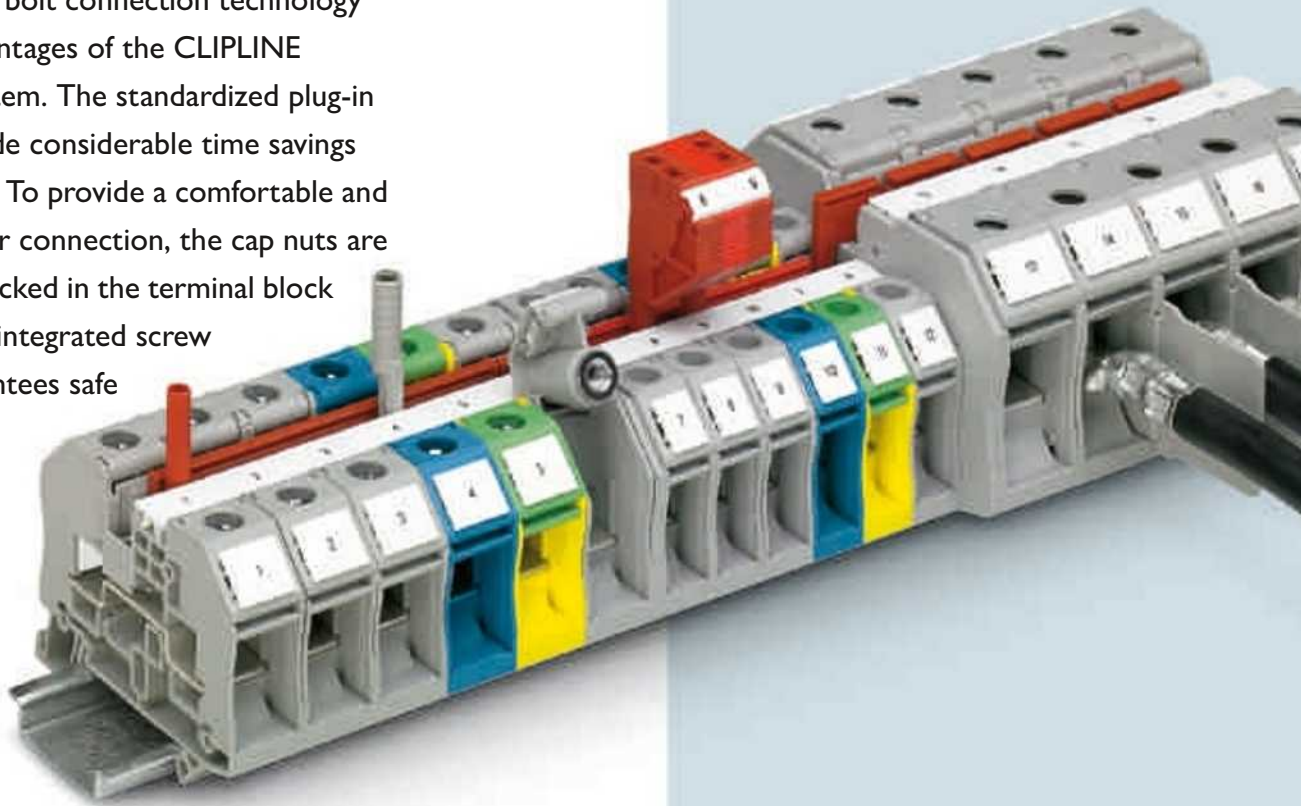
Page 16

RSC – Screw connection terminals

Page 22

RT bolt connection terminal blocks

The RT bolt connection terminal block series combines the bolt connection technology with the advantages of the CLIPLINE complete system. The standardized plug-in bridges provide considerable time savings during wiring. To provide a comfortable and fast conductor connection, the cap nuts are captive and locked in the terminal block housing. The integrated screw locking guarantees safe use, meeting even highest requirements under applications subject to shock and vibration.



All connection methods – one system

The choice of connection methods is yours with the unique CLIPLINE complete modular terminal block system from Phoenix Contact. All connection methods can be freely combined using just one range of accessories.

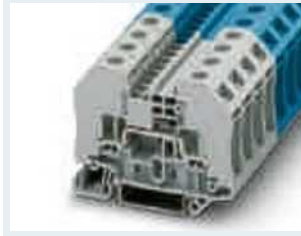
User-friendly and quick conductor connection

The key feature of this series is the folding wing which can be swung up and which features a captive nut. This guarantees quick and easy ring lug wiring.

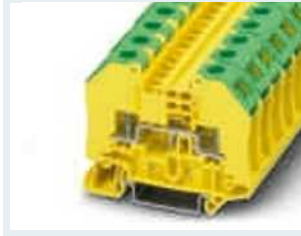
Flexible plug-in bridge system

The potential distribution can be implemented at speed with the standardized plug-in bridges. Using two bridge shafts in all terminal blocks makes flexible chain, level or jumping bridges possible.

2-conductor feed-through and disconnect terminal blocks, closed version



Type	Order No.	RT 3 RT 3 BU	3049013 3049110	RT 5 RT 5 BU	3049026 3049123	RT 8 RT 8 BU	3049042 3049148
Width / length / height	[mm]	12.3 / 66.0 / 51		16.3 / 66.0 / 51		20.3 / 84.0 / 63.8	
Current / voltage		24 / 1000 // 30 / 600		41 / 1000 // 30 / 600		125 / 1000 // 115 / 600	
IEC // UL	[A] / [V]	0.1 - 2.5 / 26 - 14		0.1 - 6 / 26 - 10		2.5 - 35 / 14 - 2	
Stranded / AWG	[mm ²] / -	0.5 - 2.5 // 1 - 2.5		0.5 - 6 // 1 - 6		2.5 - 35 // 2.5 - 6	
Ring cable lug DIN 46234 // DIN 46237		M3 / 3.2 / 6 // M3 / 3.2 / 6		M5 / 5.3 / 10 // M5 / 5.3 / 10		M8 / 8.4 / 16 // M8 / 8.4 / 14	
Connection bolt / hole diameter / width	[mm]						

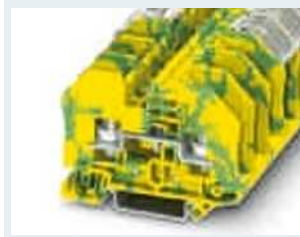


Type	Order No.	RT 3-PE	3049411	RT 5-PE	3049424	RT 5-T ²⁾	3049039
Width / length / height	[mm]	12.3 / 66.0 / 51		16.3 / 66.0 / 51		16.3 / 91.4 / 51	
Current / voltage		- / - / - / -		- / - / - / -		41 / 1000 // 30 / 600	
IEC // UL	[A] / [V]	0.1 - 2.5 / 26 - 14		0.1 - 6 / 26 - 10		0.1 - 6 / 26 - 10	
Stranded / AWG	[mm ²] / -	0.5 - 2.5 // 1 - 2.5		0.5 - 6 // 1 - 6		0.1 - 6 // 1 - 6	
Ring cable lug DIN 46234 // DIN 46237		M3 / 3.2 / 6 // M3 / 3.2 / 6		M5 / 5.3 / 10 // M5 / 5.3 / 10		M5 / 5.3 / 10 // M5 / 5.3 / 10	
Connection bolt / hole diameter / width	[mm]						

2-conductor feed-through and disconnect terminal blocks, with and without transparent safety contact hood



Type	Order No.	RTO 3 RTO 3 BU RTO 3-TC RTO 3 BU-TC	3049518 3049660 3049945 3049835	RTO 5 RTO 5 BU RTO 5-TC RTO 5 BU-TC	3049521 3049767 3049961 3049851	RTO 8 RTO 8 BU RTO 8-TC RTO 8 BU-TC	3049343 3049864 3050002 3049929
Width / length / height	[mm]	12.3 / 66.0 / 49.9		16.3 / 66.0 / 49.9		20.2 / 84.0 / 62.2	
Current / voltage		24 / 1000 // 20 / 600		41 / 1000 // 30 / 600		125 / 1000 // 115 / 600	
IEC // UL	[A] / [V]	0.1 - 2.5 / 26 - 14		0.1 - 6 / 26 - 10		2.5 - 35 / 14 - 2	
Stranded / AWG	[mm ²] / -	0.5 - 2.5 // 1 - 2.5		0.5 - 6 // 1 - 6		2.5 - 35 // 2.5 - 6	
Ring cable lug DIN 46234 // DIN 46237		M3 / 3.2 / 6 // M3 / 3.2 / 6		M5 / 5.3 / 10 // M5 / 5.3 / 10		M8 / 8.4 / 16 // M8 / 8.4 / 14	
Connection bolt / hole diameter / width	[mm]						

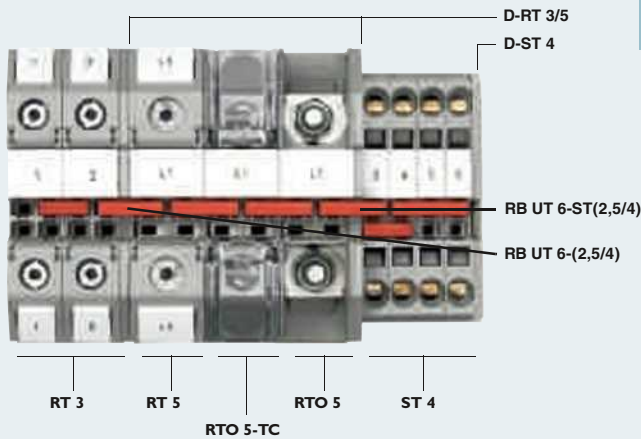


Type	Order No.	RTO 3-PE RTO 3-PE-TC	3049615 3049958	RTO 5-PE RTO 5-PE-TC	3049628 3049974	RTO 5-T ²⁾ RTO 5-T-TC ²⁾	3049233 3049990
Width / length / height	[mm]	12.3 / 66.0 / 49.9		16.3 / 66.0 / 49.9		16.3 / 91.4 / 49.9	
Current / voltage		- / - / - / -		- / - / - / -		41 / 1000 // 30 / 600	
IEC // UL	[A] / [V]	0.1 - 2.5 / 26 - 14		0.1 - 6 / 26 - 10		0.1 - 6 / 26 - 10	
Stranded / AWG	[mm ²] / -	0.5 - 2.5 // 1 - 2.5		0.5 - 6 // 1 - 6		0.1 - 6 // 1 - 6	
Ring cable lug DIN 46234 // DIN 46237		M3 / 3.2 / 6 // M3 / 3.2 / 6		M5 / 5.3 / 10 // M5 / 5.3 / 10		M5 / 5.3 / 10 // M5 / 5.3 / 10	
Connection bolt / hole diameter / width	[mm]						

²⁾ For this product a switching lock is available.
Order No: 3049330 S-RT 5-T

RT accessories

Example of a 6 mm² central supply with RB UT 6-(2,5/4) reducing bridge on 2.5 / 4 mm²



Mounting material	Type	Order No.
11 Quick mounting end clamp Width / length / height 5 mm / 48.5 mm / 35 mm	CLIPFIX 35-5	3022276
12 Terminal strip marker carrier, adjustable height, for CLIPFIX 35-5, can be marked with label	KLM 3-L	0814788
13 DIN rail 35 x 7.5 mm, zinc-plated and thick layer passivated,	unperforated perforated	NS 35/7,5 UNPERF 2000 MM NS 35/7,5 PERF 2000 MM

2

Reduction bridging with standard RT feed-through terminal blocks

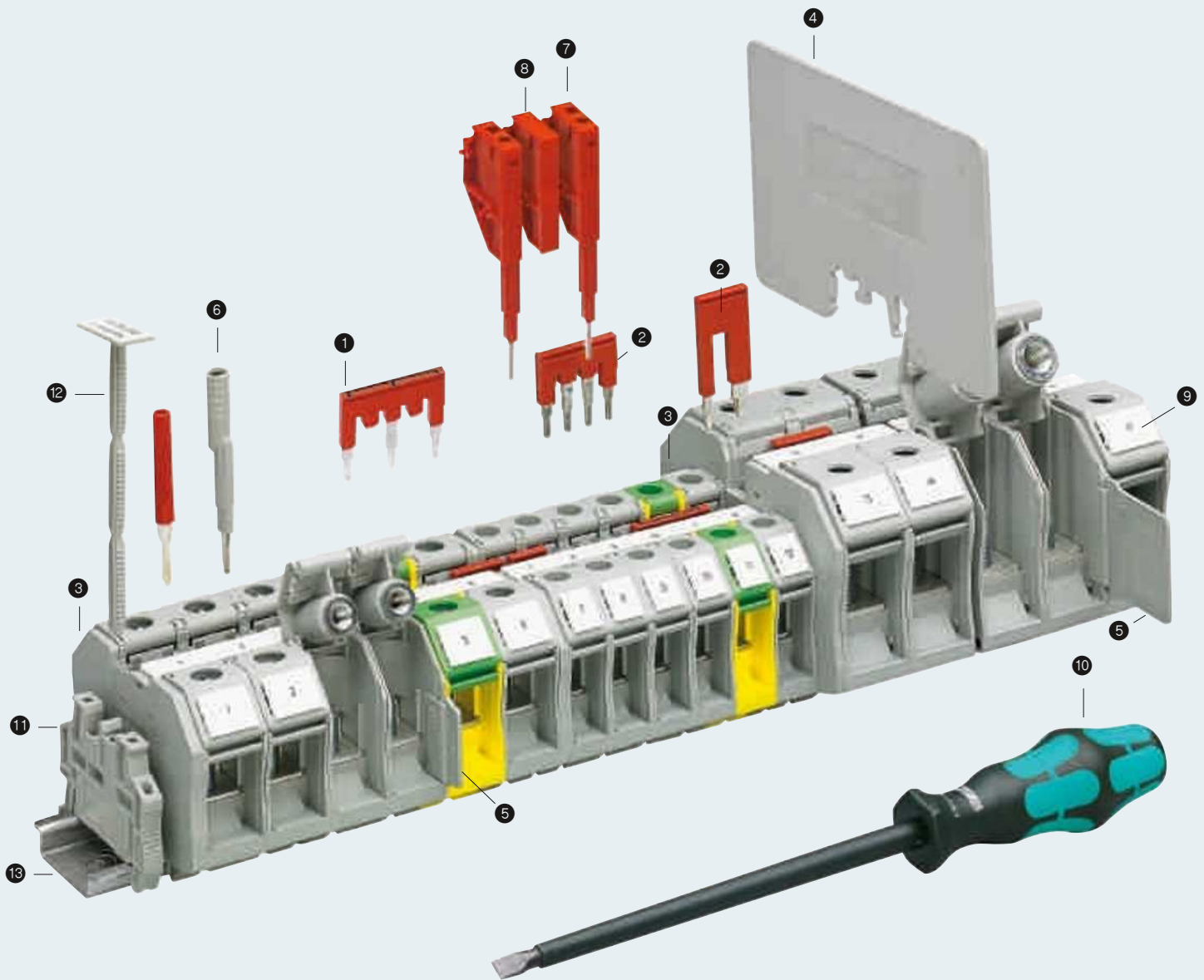
Supply		Tap		Single-sided supply	Central supply	Bridge
Terminal block	Cross section [mm ²]	Terminal block	Cross section [mm ²]	I _{max.}	I _{max.}	
RT 5/ RTO 5/ RTO 5-TC	6	UT 2,5	2,5	40	56	RB UT 6-(2,5/4) 3047251
		UT 4	4	40	56	
		ST 2,5	2,5	40	56	RB UT 6-ST(2,5/4) 3047264
		ST 4	4	40	56	
		PT 2,5	2,5	40	56	
		PT 4	4	40	56	
		QTC 1,5	1,5	35	56	
		QTC 2,5	2,5	40	56	
RT 8/ RTO 8/ RTO 8-TC	35	UT 2,5	2,5	40	65	RB ST 10-(2,5/4) 3030873
		UT 4	4	45	65	
		RT 3	2,5	40	65	

1

3

4

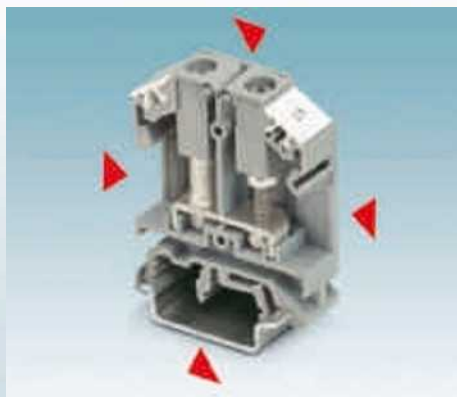
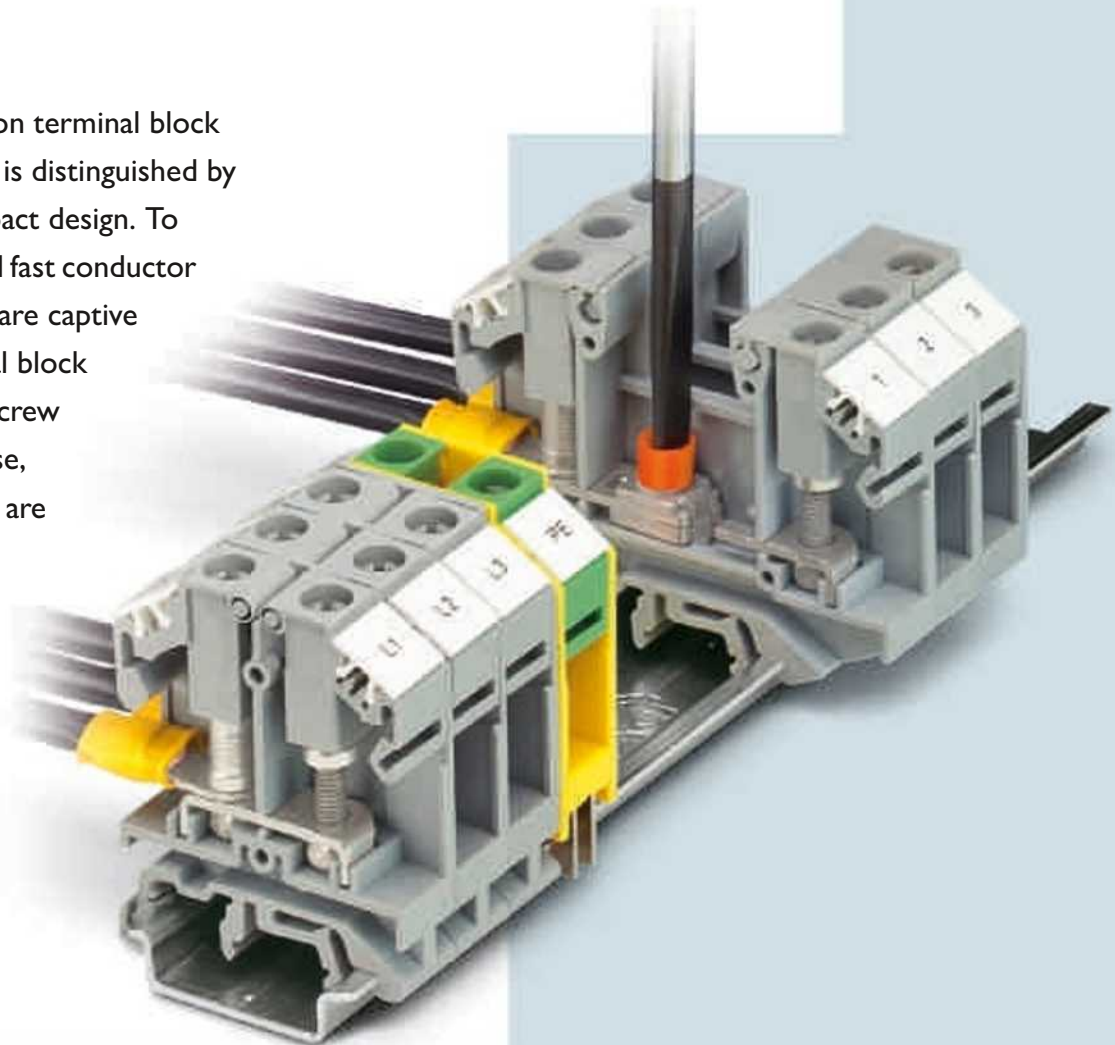
Terminal	Bridges						I _{max.}	Cover	Separating plate
	2-pos.	3-pos.	4-pos.	5-pos.	10-pos.	20-pos.			
RT 3 ...	FBS 2-6 3030336	FBS 3-6 3030242	FBS 4-6 3030255	FBS 5-6 3030349	FBS 10-6 3030271	FBS 20-6 3030365	32 A	D-RT 3/5 3049097	TPNS-UK 0706647
RT 5 ...	FBS 2-8 3030284	FBS 3-8 3030297	FBS 4-8 3030307	FBS 5-8 3030310	FBS 10-8 3030323	—	41 A	D-RT 3/5 3049097	TPNS-UK 0706647
RT 5-T	FBS 2-8 3030284	FBS 3-8 3030297	FBS 4-8 3030307	FBS 5-8 3030310	FBS 10-8 3030323	—	41 A	D-RT 5-T 3049291	—
RT 8 ...	FBS 2-10 3005947	—	—	—	—	—	57 A	D-RT 8 3049194	TPN-UK 3003062
RTO 3 ...	FBS 2-6 3030336	FBS 3-6 3030242	FBS 4-6 3030255	FBS 5-6 3030349	FBS 10-6 3030271	FBS 20-6 3030365	32 A	D-RT 3/5 3049097	TPNS-UK 0706647
RTO 5 ...	FBS 2-8 3030284	FBS 3-8 3030297	FBS 4-8 3030307	FBS 5-8 3030310	FBS 10-8 3030323	—	41 A	D-RT 3/5 3049097	TPNS-UK 0706647
RTO 5-T RTO 5-T-TC	FBS 2-8 3030284	FBS 3-8 3030297	FBS 4-8 3030307	FBS 5-8 3030310	FBS 10-8 3030323	—	41 A	D-RT 5-T 3049291	—
RTO 8 ...	FBS 2-10 3005947	—	—	—	—	—	57 A	D-RT 8 3049194	TPN-UK 3003062
RTO 3-PE RTO 3-PE-TC	FBS 2-6 3030336	FBS 3-6 3030242	FBS 4-6 3030255	FBS 5-6 3030349	FBS 10-6 3030271	FBS 20-6 30303265	—	D-RT 3/5 3049097	—
RTO 5-PE RTO 5-PE-TC	FBS 2-8 3030284	FBS 3-8 3030297	FBS 4-8 3030307	FBS 5-8 3030310	FBS 10-8 3030323	—	—	D-RT 3/5 3049097	—



5	6	7	8	9		10	Socket wrench
				Center groove	Lateral groove		
Path extension	Test adapter	Modular test plug	Spacer plate for test plug	Marking		Screwdriver	Socket wrench
BE-RT 3/5 3049819	PAI-4 3030925	PS-6 3030996	DP PS-6 3036738	ZB 12:UNPRINTED 0812120	ZB 8:UNBEDRUCKT 1052002	SZS 1,0X5,5 VDE 1209114	—
BE-RT 3/5 3049819	PAI-4 3030925	PS-8 3031005	DP PS-8 3036741	ZB 16,3:UNPRINTED 0820222	ZB 12:UNPRINTED 0812120	SZS 1,0X6,5 VDE 1205079	—
BE-RT 3/5 3049819	PAI-4 3030925	PS-8 3031005	DP PS-8 3036741	ZB 16,3:UNPRINTED 0820222	ZB 12:UNPRINTED 0812120	SZS 1,0X6,5 VDE 1205079	—
BE-RT 8 3049916	—	—	—	ZB 20,3:UNPRINTED 0820248	ZB 16,3:UNPRINTED 0820222	SZS 1,0X6,5 VDE 1205079	—
BE-RT 3/5 3049819	PAI-4 3030925	PS-6 3030996	DP PS-6 3036738	ZB 12:UNPRINTED 0812120	ZB 8:UNBEDRUCKT 1052002	—	SHN 5.5 1209855
BE-RT 3/5 3049819	PAI-4 3030925	PS-8 3031005	DP PS-8 3036741	ZB 16,3:UNPRINTED 0820222	ZB 12:UNPRINTED 0812120	—	SHN 8 1209868
BE-RT 3/5 3049819	PAI-4 3030925	PS-8 3031005	DP PS-8 3036741	ZB 16,3:UNPRINTED 0820222	ZB 12:UNPRINTED 0812120	—	SHN 8 1209868
BE-RT 8 3049916	—	—	—	ZB 20,3:UNPRINTED 0820248	ZB 16,3:UNPRINTED 0820222	—	SHN 13 1209923
BE-RT 3/5 3049819	PAI-4 3030925	PS-6 3030996	DP PS-6 3036738	ZB 12:UNPRINTED 0812120	ZB 8:UNBEDRUCKT 1052002	—	SHN 5.5 1209855
BE-RT 3/5 3049819	PAI-4 3030925	PS-8 3031005	DP PS-8 3036741	ZB 16,3:UNPRINTED 0820222	ZB 12:UNPRINTED 0812120	—	SHN 8 1209868

OTTA bolt connection terminal blocks

The OTTA bolt connection terminal block series with universal foot is distinguished by its space-saving and compact design. To provide a comfortable and fast conductor connection, the cap nuts are captive and locked in the terminal block housing. The integrated screw locking guarantees safe use, even in applications which are subject to shocks and vibrations.



Space-saving design

Thanks to their compact design, the OTTA bolt connection terminal blocks are ideally suited to switchgear in tight spaces.



User-friendly and quick conductor connection

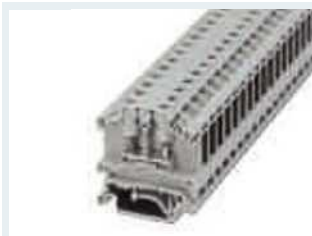
The key feature of this series is the folding wing which can be swung up and which features a captive nut. This guarantees quick and easy ring lug wiring.



Integrated shock protection

Next to securing the cap nuts, the hinged covers offer a simultaneous shock protection when using isolated ring cable lugs.

OTTA bolt connection terminal blocks



Type	Order No.	OTTA 2,5 OTTA 2,5-P/P	0790530 0790543	OTTA 6 OTTA 6-P/P	0790433 0790404	OTTA 25-M5 OTTA 25-M6	0790488 0790491
Width / length / height	[mm]	9 / 43.5 / 45.5		11 / 43.5 / 52		18 / 60 / 64.5	
Current / voltage		24 / 800 // 20 / 600		41 / 800 // 30 / 600		101 / 800 // 115 / 600	
IEC // UL	[A] / [V]	0.1 - 2.5 / 26 - 14		0.1 - 6 / 26 - 10		0.1 - 25 / 26 - 4 (1.5 - 25 / 16 - 4)	
Stranded / AWG	[mm ²] / -	0.1 - 2.5 // 0.5 - 2.5		0.1 - 6 // 0.5 - 2.5		0.1 - 25 // 1 - 6 (1.5 - 25 // 2.5 - 6)	
Ring cable lug DIN 46234 // DIN 46237	[mm ²]	M3 / 3.2 / 7.6		M4 / 4.3 / 9.6		M5 / 5.3 / 16 (M6 / 6.5 / 16)	
Connection bolt / hole diameter / width	[mm]						



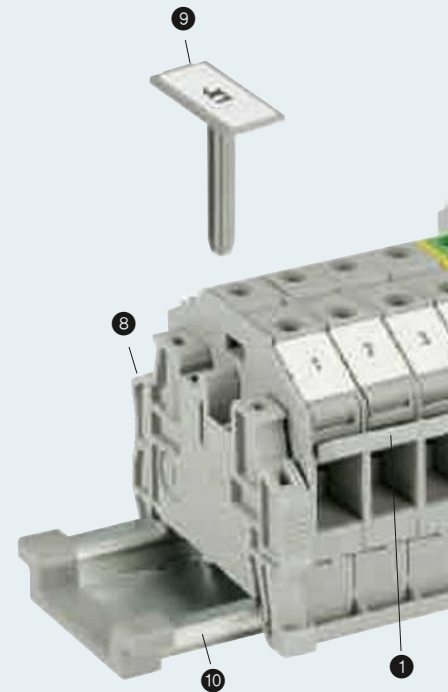
Type	Order No.	OTTA 2,5-PE	0790556	OTTA 6-PE	0790527
Width / length / height	[mm]	10 / 43.5 / 45.5		12 / 43.5 / 52	
Current / voltage		- / -		- / -	
IEC // UL	[A] / [V]	0.1 - 2.5 / 26 - 14		0.1 - 6 / 26 - 10	
Stranded / AWG	[mm ²] / -	0.1 - 2.5 // 0.5 - 2.5		0.1 - 6 // 0.5 - 2.5	
Ring cable lug DIN 46234 // DIN 46237	[mm ²]	M3 / 3.2 / 7.6		M4 / 4.3 / 9.6	
Connection bolt / hole diameter / width	[mm]				



Type	Order No.	OTTA 6-T	0790446	OTTA 6-T-P/P	0790462
Width / length / height	[mm]	11 / 69 / 52		11 / 69 / 52	
Current / voltage		36 / 800 // 30 / 600		36 / 800 // 30 / 600	
IEC // UL	[A] / [V]	0.1 - 6 / 26 - 10		0.1 - 6 / 26 - 10	
Stranded / AWG	[mm ²] / -	0.1 - 6 // 0.5 - 2.5		0.1 - 6 // 0.5 - 2.5	
Ring cable lug DIN 46234 // DIN 46237	[mm ²]	M4 / 4.3 / 9.6		M4 / 4.3 / 9.6	
Connection bolt / hole diameter / width	[mm]				

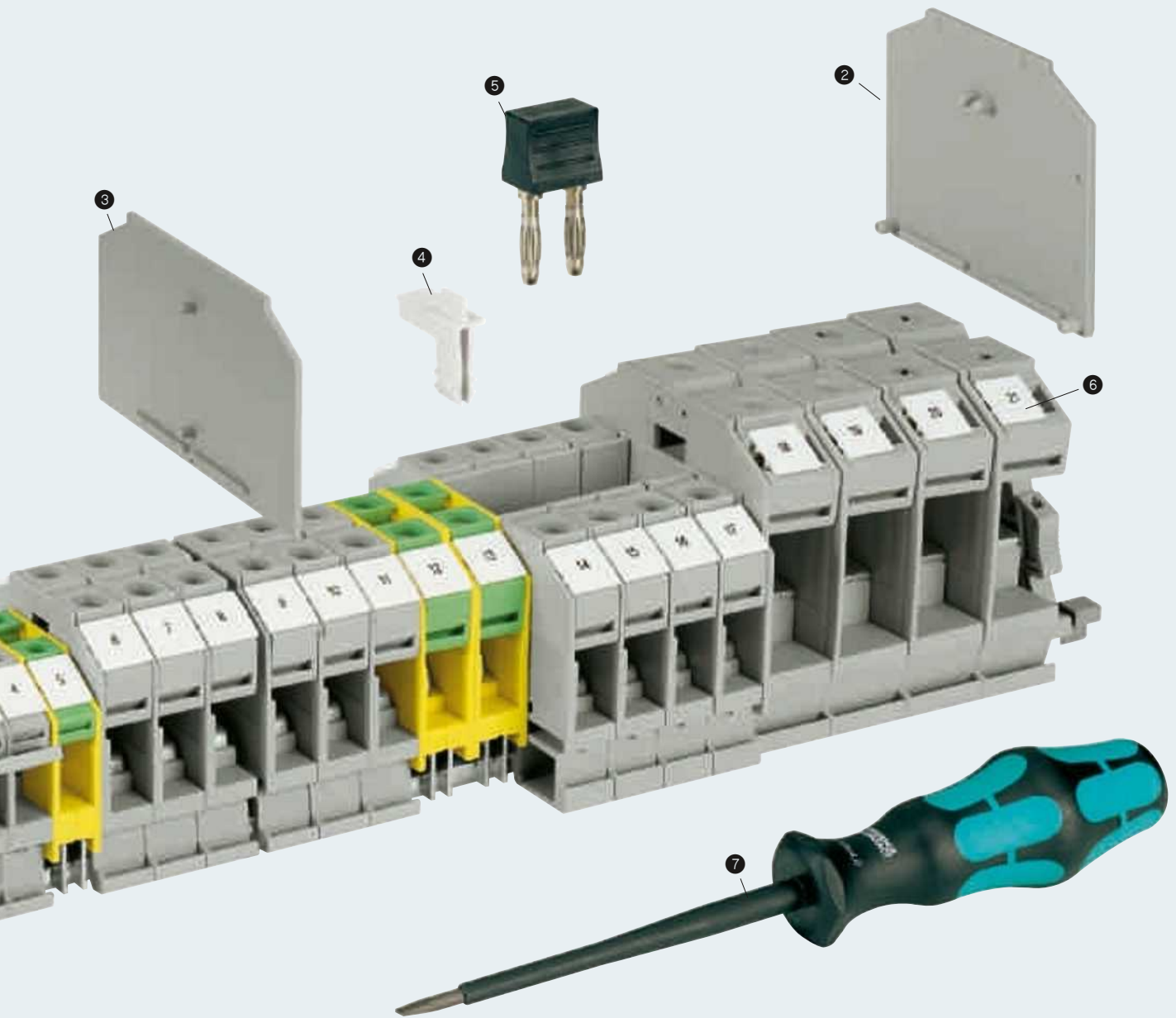
OTTA accessories

Mounting material	Type	Order No.
8 Quick mounting end clamp Width / length / height 5 mm / 48.5 mm / 35 mm	CLIPFIX 35-5	3022276
9 Terminal strip marker carrier, adjustable height, for CLIPFIX 35-5, can be marked with label	KLM 3-L	0814788
10 DIN rail 35 x 7.5 mm, zinc-plated and thick layer passivated,	unperforated	NS 35/7,5 UNPERF 2000 MM
	perforated	NS 35/7,5 PERF 2000 MM



1

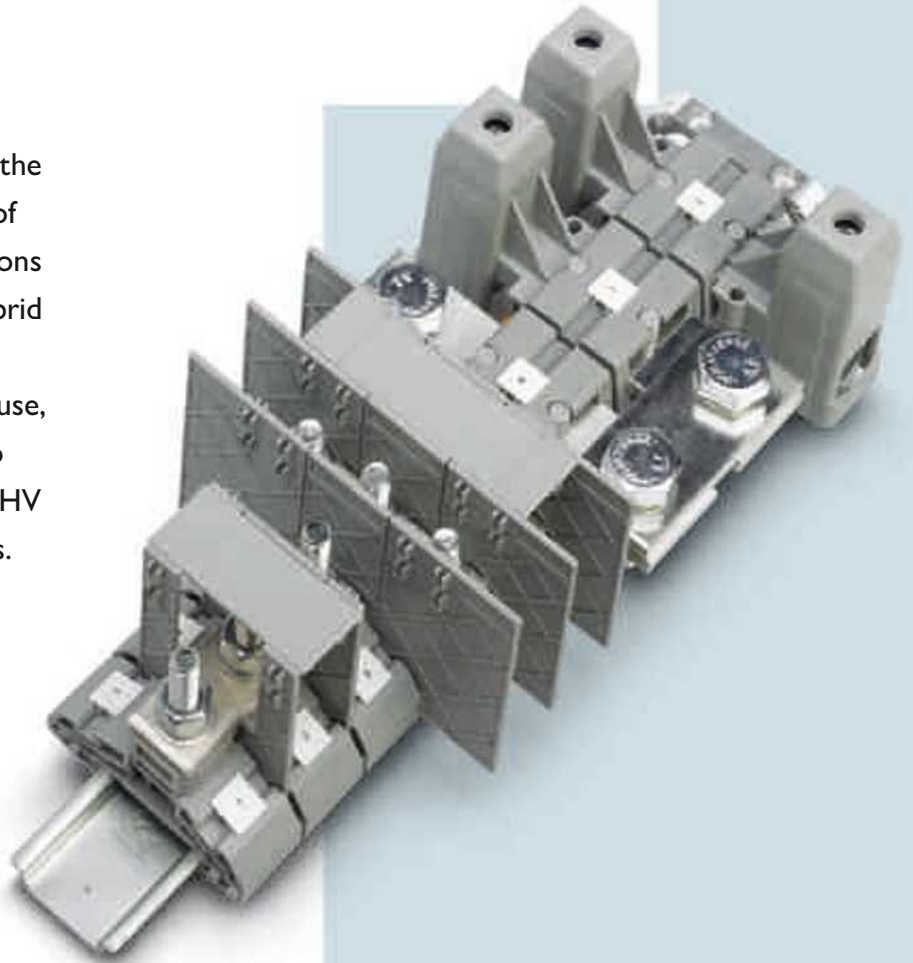
Terminal	Bridges						
	2-pos.	3-pos.	4-pos.	5-pos.	6-pos.	7-pos.	10-pos.
OTTA 2,5...	EB 2-OTTA 2,5 3026065	EB 3-OTTA 2,5 3026078	EB 4-OTTA 2,5 3026081	EB 5-OTTA 2,5 3026094	EB 6-OTTA 2,5 3026104	EB 7-OTTA 2,5 3026117	EB 10-OTTA 2,5 3026120
OTTA 2,5-PE	EB 2-OTTA 2,5 3026065	EB 3-OTTA 2,5 3026078	EB 4-OTTA 2,5 3026081	EB 5-OTTA 2,5 3026094	EB 6-OTTA 2,5 3026104	EB 7-OTTA 2,5 3026117	EB 10-OTTA 2,5 3026120
OTTA 6...		EB 3-OTTA 6 3026036	EB 4-OTTA 6 3026049			EB 7-OTTA 6 3026052	EB 10-OTTA 6 0790420
OTTA 6-PE		EB 3-OTTA 6 3026036	EB 4-OTTA 6 3026049			EB 7-OTTA 6 3026052	EB 10-OTTA 6 0790420
OTTA 25...							
OTTA 6-T...		EB 3-OTTA 6 3026036	EB 4-OTTA 6 3026049			EB 7-OTTA 6 3026052	EB 10-OTTA 6 0790420
OTTA 6...P/P		EB 3-OTTA 6 3026036	EB 4-OTTA 6 3026049			EB 7-OTTA 6 3026052	EB 10-OTTA 6 0790420



2	3	4	5	6	7
Cover	Separating plate	Switching lock	Short-circuit connector	Marking	Screwdriver
D-OTTA 2,5 0790569	ATP-OTTA 2,5 0790572			ZB 8:UNBEDRUCKT 1052002	SZS 0,6X3,5 VDE 1212602
	ATP-OTTA 2,5 0790572			ZB 8:UNBEDRUCKT 1052002	SZS 0,6X3,5 VDE 1212602
D-OTTA 6 0790417	ATP-OTTA 6 0790475			ZB 10:UNBEDRUCKT 1053001	SZS 1,0X6,5 VDE 1205079
	ATP-OTTA 6 0790475			ZB 10:UNBEDRUCKT 1053001	SZS 1,0X6,5 VDE 1205079
D-OTTA 25 0790514	ATP-OTTA 25 0790501			ZB 10:UNBEDRUCKT 1053001	SZS 1,0X6,5 VDE 1205079
D-OTTA 6-T 0790459		S-OTTA 6-T 0311199		ZB 10:UNBEDRUCKT 1053001	SZS 1,0X6,5 VDE 1205079
D-OTTA 6-T 0790459		S-OTTA 6-T 0311199	KSS10 0310541	ZB 10:UNBEDRUCKT 1053001	SZS 1,0X6,5 VDE 1205079

HV and UHV bolt connection terminal blocks

The product range of UHV high-current connectors combines the advantages of the bolt connection technology with those of screw connection technology. The versions up to 240 mm² offer screw, bolt and hybrid connection, a combination of both. The integrated screw locking guarantees safe use, even in applications which are subject to shocks and vibrations. The space-saving HV versions complete the range of products.



Robust and maintenance-free

The bolt connection technology is one of the most robust connections with the highest conductor pull-out forces.

- Robust contact
- Maintenance-free due to integrated screw locking
- Simple multi-conductor connection



Hybrid connection

The combined versions combine the advantages of robust bolt connection technology with the universal screw connection technology for direct conductor contact.



Modular shock protection

Using the comprehensive range of accessories modular shock protection can be easily implemented to meet the particular application requirements.

HV high-current connectors



Type	Order No.	HV M5/1	3049107	HV M6/1 HV M6/2	3049204 3049547	HV M8/1 HV M8/2	3049301 3049550
Width / length / height	[mm]	13 / 67 / 58		16 / 67 / 58		21 / 67 / 66	
Current / voltage IEC	[A] / [V]	76 / 1000		125 / 1000		150 / 1000	
IEC // UL	[A] / [V]	- / -		- / -		- / -	
Stranded / AWG	[mm ²] / -	0.1 - 25 / 24 - 6		2.5 - 35 / 14 - 2		2.5 - 50 / 14 - 1/0	
Ring cable lug DIN 46234 // DIN 46237	[mm ²]	0.1 - 16 // 1 - 6		2.5 - 35 // 2.5 - 6		2.5 - 50 // 6 - 10	
Connection bolt thread	[mm]	M5		M6		M8	



Type	Order No.	HV M10/1 HV M10/2	3049408 3049563	HV M12/1	3049505
Width / length / height	[mm]	32 / 67 / 76		32 / 67 / 76	
Current / voltage IEC	[A] / [V]	269 / 1000		269 / 1000	
Current / voltage UL	[A] / [V]	- / -		- / -	
Stranded / AWG	[mm ²] / -	6 - 120 / 10 - 250 kcmil		6 - 120 / 10 - 250 kcmil	
Ring cable lug DIN 46234 // DIN 46237	[mm ²]	6 - 120 // - 6		6 - 120 // -	
Connection bolt thread	[mm]	M10		M12	

UHV high-current connectors



Type	Order No.	UHV 25-AS/AS UHV 25-KH/AS UHV 25-KH/KH	2130004 2130101 2130156	UHV 50-AS/AS UHV 50-KH/AS UHV 50-KH/KH	2130017 2130114 2130169	UHV 95-AS/AS UHV 95-KH/AS UHV 95-KH/KH	2130020 2130127 2130172
Width / length / height	[mm]	26 / 88 / 53		32 / 95 / 54.5		40 / 110 / 56	
Current / voltage IEC	[A] / [V]	101 / 1000		150 / 1000		232 / 1000	
Current / voltage UL	[A] / [V]	85 / 600		150 / 600		230 / 600	
Stranded / AWG	[mm ²] / -	6 - 25 / 10 - 3		25 - 50 / 3 - 1/0		25 - 95 / 2 - 3/0	
Ring cable lug DIN 46234 // DIN 46237	[mm ²]	2.5 - 25 // 16 - 25		6 - 50 // 16 - 50		10 - 95 // 25 - 95	
Connection bolt thread	[mm]	M8		M10		M12	



Type	Order No.	UHV 150-AS/AS UHV 150-KH/AS UHV 150-KH/KH	2130033 2130130 2130185	UHV 240-AS/AS ¹⁾ UHV 240-KH/AS ¹⁾ UHV 240-KH/KH ¹⁾	2130046 2130143 2130198
Width / length / height	[mm]	46 / 110 / 56		53 / 125 / 58	
Current / voltage IEC	[A] / [V]	309 / 1000		415 / 1000	
Current / voltage UL	[A] / [V]	285 / 600		380 / 600	
Stranded / AWG	[mm ²] / -	50 - 150 / 2 - 300 kcmil		70 - 240 / 2/0 - 500 kcmil	
Ring cable lug DIN 46234 // DIN 46237	[mm ²]	10 - 150 // 25 - 150		25 - 240 // 50 - 185	
Connection bolt thread	[mm]	M12		M16	

Mounting material	Type	Order No.	Reducing bridge, for connection:		
6 Terminal strip marker carriers, adjustable height, for CLIPFIX 35-5, can be marked with label	KLM 3-L	0814788	Of	to	with bridge
DIN rail 35 x 7.5 mm, zinc-plated and thick layer passivated	unperforated perforated	NS 35/7,5 UNPERF 2000 MM NS 35/7,5 PERF 2000 MM	HV M8/1	HV M6/1	HV M8/1 M6/1-STL 3071094
7 DIN rail 35 x 15 mm, zinc-plated and thick layer passivated	unperforated perforated	NS 35/15 UNPERF 2000 MM NS 35/15 PERF 2000 MM	HV M10/1	HV M6/1	HV M10/1 M6/1-STL2 3071081

Terminal	Connection rail		Separating plate	Cover	End bracket	Adhesive warning label	Marking ³⁾
	2-pos.	3-pos.					
HV M5/1	HV M5/1-VS 2 3049437	HV M5/1-VS 3 3049440	HV M12/1-TP 3049602	HV M5/1-AP 3049806	CLIPFIX 35-5 3022276	—	ZB 12:UNPRINTED 0812120
HV M6/1	HV M6/1-VS 2 3049262	HV M6/1-VS 3 3049275	HV M12/1-TP 3049602	HV M6/1-AP 3049903	CLIPFIX 35-5 3022276	—	ZB 16,3:UNPRINTED 0820222
HV M8/1	HV M8/1-VS 2 3049369	HV M8/1-VS 3 3049372	HV M12/2-TP 3049709	HV M8/1-AP 3049398	E/AL-NS 35 1201662	—	ZB 16,3:UNPRINTED 0820222
HV M10/1	HV M10/1-VS 2 3049466	HV M10/1-VS 3 3049479	HV M12/2-TP 3049709	HV M10/1-AP 3049495	E/AL-NS 35 1201662	WS-2K 1004513	ZB 22:UNBEDRUCKT 0811862
HV M12/1	HV M12/1-VS 2 3049631	HV M12/1-VS 3 3049644	HV M12/2-TP 3049709	HV M10/1-AP 3049495	E/AL-NS 35 1201662	WS-2K 1004513	ZB 22:UNBEDRUCKT 0811862
HV M6/2	HV M6/1-VS 2 3049262	HV M6/1-VS 3 3049275	HV M12/2-TP 3049709	HV M6/1-AP 3049903	CLIPFIX 35-5 3022276	—	ZB 16,3:UNPRINTED 0820222
HV M8/2	HV M8/1-VS 2 3049369	HV M8/1-VS 3 3049372	HV M12/2-TP 3049709	HV M8/1-AP 3049398	E/AL-NS 35 1201662	—	ZB 16,3:UNPRINTED 0820222
HV M10/2	HV M10/1-VS 2 3049466	HV M10/1-VS 3 3049479	HV M12/2-TP 3049709	HV M10/1-AP 3049495	E/AL-NS 35 1201662	WS-2K 1004513	ZB 22:UNBEDRUCKT 0811862

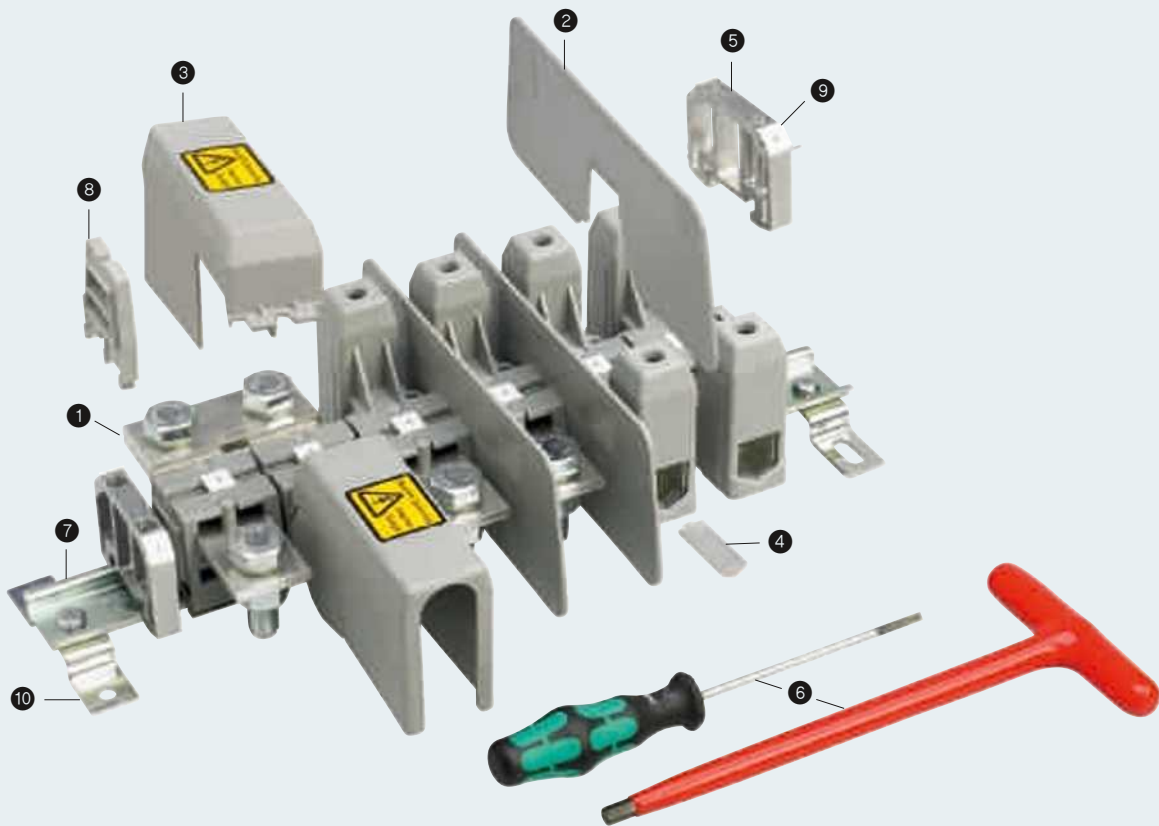
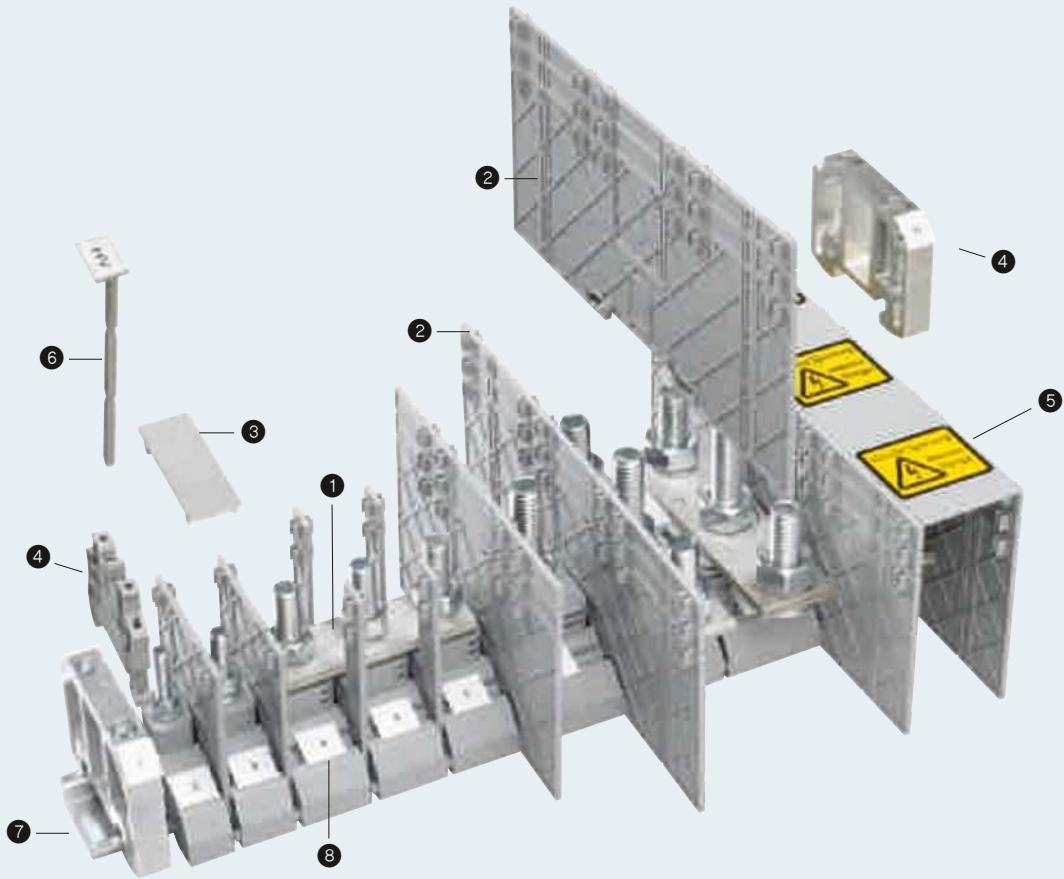
1) For fixing the DIN rail, flat bracket BG/F must be used.

2) Versions ... KH/AS and ...KH/KH, refer to www.phoenixcontact.net/catalog

3) Alternative marking material: UC-TM... , visit www.phoenixcontact.net/catalog

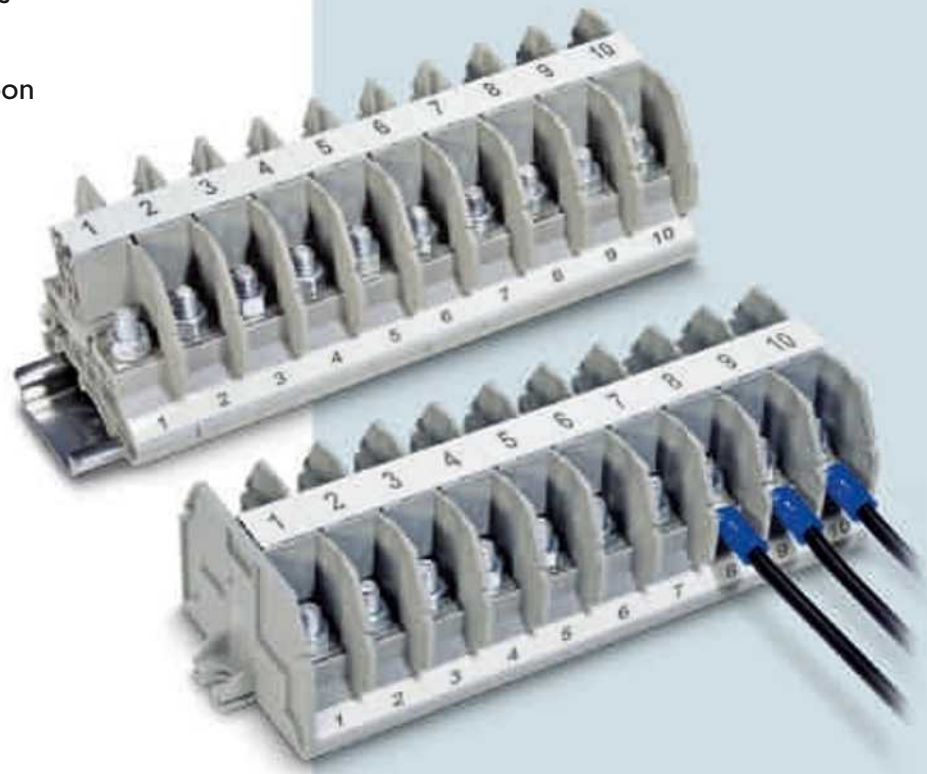
Mounting material	Type	Order No.
7 DIN rail 35 x 15 mm, zinc-plated and thick layer passivated	unperforated perforated	NS 35/15 UNPERF 2000 MM NS 35/15 PERF 2000 MM
8 End piece, to be fitted at both sides of the terminal strip, 7.2 mm wide	UHV-E	2130428
9 Marking, 10-section ³⁾	ZB 22:UNBEDRUCKT	0811862
10 Flat bracket ¹⁾	BG/F	1201060

Terminal	Connection rail		Separating plate	Cover	Insertion profile	End bracket		Screwdriver / Allen wrench
	2-pos.	3-pos.				NS 35	NS 32	
UHV 25-...	UHV 25-VS 2 2130541	UHV 25-VS 3 2130554	UHV-TP1 2130402	UHV 25-AH 2130431	—	E/AL-NS 35 1201662	E/AL-NS 32 1201659	SZS 1,0X6,5 VDE 1205079
UHV 50-...	UHV 50-VS 2 5030897	UHV 50-VS 3 2130622	UHV-TP1 2130402	UHV 50-AH 2130444	UKH 50 EP 3009228	E/AL-NS 35 1201662	E/AL-NS 32 1201659	SZS 1,2X8,0 VDE 1205082
UHV 95-...	UHV 95-VS 2 2130635	UHV 95-VS 3 2130648	UHV-TP2 2130415	UHV 95-AH 2130457	UKH 95 EP 3009231	E/AL-NS 35 1201662	E/AL-NS 32 1201659	VDE-ISS 6 1201934
UHV 150-...	UHV 150-VS 2 2130651	UHV 150-VS 3 2130664	UHV-TP2 2130415	UHV 150-AH 2130460	UKH 150/240 EP 3009244	E/AL-NS 35 1201662	E/AL-NS 32 1201659	VDE-ISS 8 1201947
UHV 240-...	UHV 240-VS 2 2130677	UHV 240-VS 3 2130680	UHV-TP2 2130415	UHV 240-AH 2130473	UKH 150/240 EP 3009244	E/AL-NS 35 1201662	E/AL-NS 32 1201659	VDE-ISS 8 1201947



RBO bolt connection terminal blocks

The RBO bolt connection terminal blocks with currents up to 520 A and 300 mm² connection capacity offer a universal snap-on foot for DIN rails and can be mounted directly on the mounting plate. Engagement pin for easy grouping. Pre-assembled blocks complete the range of products.



Comprehensive range

The RBO product series offers a suitable compact bolt connection terminal block from M5 to M16 for every conductor connection from 0.5 - 300 mm².



Flexible assembly

The bolt connection terminal blocks have two mounting options
– snapping onto DIN rails
– direct mounting on mounting plates.



Modular shock protection

Using the comprehensive range of accessories modular shock protection can be easily implemented to meet the particular application requirements.

M5 feed-through terminal blocks for DIN rail and direct mounting



Type	Order No.	RBO 5	3058059	RBO 5-F	3058062	RBO 5-F/4	3058237	RBO 5-F/6	3058240	RBO 5-F/8	3058253	RBO 5-F/12	3059252
Width / length / height	[mm]	13 / 53.3 / 47		13 / 53.3 / 37		13 x no. of positions + 17.7 / 53.3 / 37							
Current / voltage	[A] / [V]	57 / 800 // 45 / 600		57 / 800 // 45 / 600		57 / 800 // 45 / 600							
IEC // UL	[mm ²] / -	0.1 - 10 / 26 - 8		0.1 - 10 / 26 - 8		0.1 - 10 / 26 - 8							
Stranded / AWG	[mm ²] / -	0.1 - 10 // 0.5 - 6		0.1 - 10 // 0.5 - 6		0.1 - 10 // 0.5 - 6							
Ring cable lug DIN 46234 // DIN 46237	[mm]	M5 / 5.3 / 10		M5 / 5.3 / 10		M5 / 5.3 / 10							

M5 feed-through terminal blocks for DIN rail and direct mounting



Type	Order No.	RBO 5-T	3058114	RBO 5-T-F	3058169
Width / length / height	[mm]	13 / 79.9 / 49.8		13 / 79.9 / 39.7	
Current / voltage	[A] / [V]	50 / 800 // 45 / 600		50 / 800 // 45 / 600	
IEC // UL	[mm ²] / -	0.1 - 10 / 26 - 8		0.1 - 10 / 26 - 8	
Stranded / AWG	[mm ²] / -	0.1 - 10 // 0.5 - 6		0.1 - 10 // 0.5 - 6	
Ring cable lug DIN 46234 // DIN 46237	[mm]	M5 / 5.3 / 10		M5 / 5.3 / 10	

M6 feed-through terminal blocks for DIN rail and direct mounting



Type	Order No.	RBO 6	3075896	RBO 6-F	3075935
Width / length / height	[mm]	17 / 80.8 / 49.8		17 / 80.8 / 39.7	
Current / voltage	[A] / [V]	125 / 800 // -		125 / 800 // -	
IEC // UL	[mm ²] / -	2.5 - 35 / 12 - 2		2.5 - 35 / 12 - 2	
Stranded / AWG	[mm ²] / -	6 - 35 // 2.5 - 6		6 - 35 // 2.5 - 6	
Ring cable lug DIN 46234 // DIN 46237	[mm]	M6 / 6.5 / 15 // M6 / 6.5 / 11		M6 / 6.5 / 15 // M6 / 6.5 / 11	

Assembly instructions



Grouping



Flange fixing



RBO 8 - 16 versions can be directly mounted or mounted on DIN rails

M8 - M16 feed-through terminal blocks for DIN rail and direct mounting



Type	Order No.				
	gray	RBO 8	3213137	RBO 10	3244614
	blue	RBO 8 BU	3213136	RBO 10 BU	3244616
	black/yellow	RBO 8 FE	3213139	RBO 10 FE	3244615
Width / length / height	[mm]	29 / 140 / 74.5		41 / 144 / 84.5	49 / 164 / 90.8
Current / voltage					
IEC // UL	[A] / [V]	192 / 1000 // 175 / 600		309 / 1000 // -	415 / 1000 // -
Stranded / AWG	[mm ²] / -	2.5 - 70 / 12 - 2/0		6 - 150 / 10 - 300	10 - 240 / 8 - 500
Ring cable lug DIN 46234 // DIN 46237	[mm ²]	2.5 - 70 // 2.5 - 6		6 - 150 // 6 - 6	10 - 240 // -
Connection bolt / hole diameter / width	[mm]	M8 / 8.4 / 22 // M8 / 8.4 / 14		M10 / 10.5 / 30 // M10 / 10.5 / 18	M12 / 13 / 38



Type	Order No.		
	gray	RBO 16	3244630
	blue	RBO 16 BU	3244632
	black/yellow	RBO 16 FE	3244631
Width / length / height	[mm]	54.8 / 164 / 99.3	
Current / voltage			
IEC // UL	[A] / [V]	520 / 1000 // -	
Stranded / AWG	[mm ²] / -	25 - 300 / 4 - 600	
Ring cable lug DIN 46234 // DIN 46237	[mm ²]	25 - 240 // -	
Connection bolt / hole diameter / width	[mm]	M16 / 17 / 38	

Pre-assembled M8 - M16 blocks for DIN rail and direct mounting



Type	Order No.				
	Block, 3-pos. (3 x gray)	RBO 8-3L	3076206	RBO 10-3L	3076219
	Block, 4-pos. (3 x gray, 1 x blue)	RBO 8-3L/N	3076248	RBO 10-3L/N	3076251
	Block, 4-pos. (3 x gray, 1 x black/yellow)	RBO 8-3L/FE	3076124	RBO 10-3L/FE	3076137
	Block, 5-pos. (3 x gray, 1x blue, 1 x black/yellow)	RBO 8-3L/N/FE	3076280	RBO 10-3L/N/FE	3076293
Current / voltage					
IEC // UL	[A] / [V]	192 / 1000 // -		309 / 1000 // -	415 / 1000 // -
Stranded / AWG	[mm ²] / -	2.5 - 70 / 12 - 2/0		6 - 150 / 10 - 300	10 - 240 / 8 - 500
Ring cable lug DIN 46234 // DIN 46237	[mm ²]	2.5 - 70 // 2.5 - 6		6 - 150 // 6 - 6	10 - 240 // -
Connection bolt / hole diameter / width	[mm]	M8 / 8.4 / 22 // M8 / 8.4 / 14		M10 / 10.5 / 30 // M10 / 10.5 / 18	M12 / 13 / 38



Type	Order No.		
	Block, 3-pos. (3 x gray)	RBO 16-3L	3076235
	Block, 4-pos. (3 x gray, 1 x blue)	RBO 16-3L/N	3076277
	Block, 4-pos. (3 x gray, 1 x black/yellow)	RBO 16-3L/FE	3076153
	Block, 5-pos. (3 x gray, 1x blue, 1 x black/yellow)	RBO 16-3L/N/FE	3076316
Current / voltage			
IEC // UL	[A] / [V]	520 / 1000 // -	
Stranded / AWG	[mm ²] / -	25 - 300 / 4 - 600	
Ring cable lug DIN 46234 // DIN 46237	[mm ²]	25 - 240 // -	
Connection bolt / hole diameter / width	[mm]	M16 / 17 / 38	

M8 - M16 feed-through terminal blocks for DIN rail and direct mounting with covering hoods



Type	Order No.				
	gray	RBO 8-HC	3247973	RBO 10-HC	3247976
	blue	RBO 8-HC BU	3247974	RBO 10-HC BU	3247977
	black/yellow	RBO 8-FE HC	3247975	RBO 10-FE HC	3247978
Width / length / height	[mm]	29 / 185 / 74.5		41 / 235 / 84.5	
Current / voltage		192 / 1500 ¹⁾ // -		309 / 1500 ¹⁾ // -	
IEC // UL	[A] / [V]	2.5 - 70 / 12 - 2/0		6 - 150 / 10 - 300	
Stranded / AWG	[mm ²] / -	2.5 - 70 // 2.5 - 6		6 - 150 // 6 - 6	
Ring cable lug DIN 46234 // DIN 46237	[mm ²]	M8 / 8.4 / 22 // M8 / 8.4 / 14		M10 / 10.5 / 30 // M10 / 10.5 / 18	
Connection bolt / hole diameter / width	[mm]			M12 / 13 / 38	



Type	Order No.		
	gray	RBO 16-HC	3247989
	blue	RBO 16-HC BU	3247990
	black/yellow	RBO 16-FE HC	3247991
Width / length / height	[mm]	54.8 / 283.5 / 99.3	
Current / voltage		520 / 1500 ¹⁾ // -	
IEC // UL	[A] / [V]	25 - 300 / 4 - 600	
Stranded / AWG	[mm ²] / -	25 - 240 // -	
Ring cable lug DIN 46234 // DIN 46237	[mm ²]	M16 / 17 / 38	
Connection bolt / hole diameter / width	[mm]		

Pre-assembled M8 - M16 blocks for DIN rail and direct mounting with covering hoods



Type	Order No.				
	Block, 3-pos. (3 x gray)	RBO 8-3L-HC	3076044	RBO 10-3L-HC	3076057
	Block, 4-pos. (3 x gray, 1 x blue)	RBO 8-3L/N-HC	3076086	RBO 10-3L/N-HC	3076099
	Block, 4-pos. (3 x gray, 1 x black/yellow)	RBO 8-3L/FE-HC	3076125	RBO 10-3L/FE-HC	3076138
	Block, 5-pos. (3 x gray, 1x blue, 1 x black/yellow)	RBO 8-3L/N/FE-HC	3076167	RBO 10-3L/N/FE-HC	3076170
Current / voltage		192 / 1500 ¹⁾ // -		309 / 1500 ¹⁾ // -	
IEC // UL	[A] / [V]	2.5 - 70 / 12 - 2/0		6 - 150 / 10 - 300	
Stranded / AWG	[mm ²] / -	2.5 - 70 // 2.5 - 6		6 - 150 // 6 - 6	
Ring cable lug DIN 46234 // DIN 46237	[mm ²]	M8 / 8.4 / 22 // M8 / 8.4 / 14		M10 / 10.5 / 30 // M10 / 10.5 / 18	
Connection bolt / hole diameter / width	[mm]			M12 / 13 / 38	



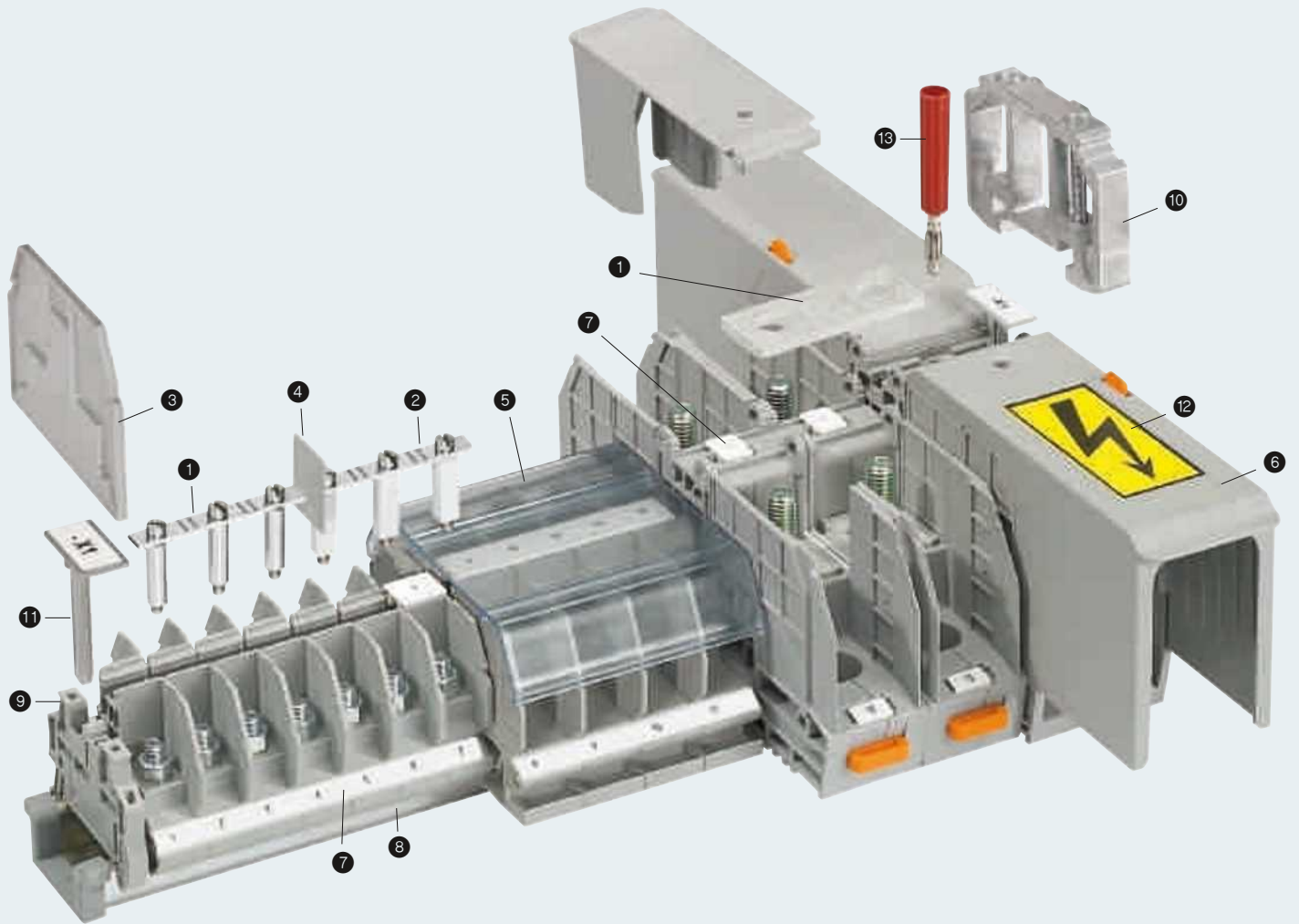
¹⁾ Cable lug must be insulated with shrink sleeve.

Type	Order No.		
	Block, 3-pos. (3 x gray)	RBO 16-3L-HC	3076073
	Block, 4-pos. (3 x gray, 1 x blue)	RBO 16-3L/N-HC	3076112
	Block, 4-pos. (3 x gray, 1 x black/yellow)	RBO 16-3L/FE-HC	3076154
	Block, 5-pos. (3 x gray, 1x blue, 1 x black/yellow)	RBO 16-3L/N/FE-HC	3076196
Current / voltage		520 / 1500 ¹⁾ // -	
IEC // UL	[A] / [V]	25 - 300 / 4 - 600	
Stranded / AWG	[mm ²] / -	25 - 240 // -	
Ring cable lug DIN 46234 // DIN 46237	[mm ²]	M16 / 17 / 38	
Connection bolt / hole diameter / width	[mm]		

RBO accessories

Mounting material	Type	Order No.
8 DIN rail, 35 x 7.5 mm acc. to EN 60715, zinc-plated and thick layer passivated, unperforated perforated	NS 35/7,5 UNPERF 2000 MM NS 35/7,5 PERF 2000 MM	0801681 0801733
DIN rail, 35 x 15 mm acc. to EN 60715, zinc-plated and thick layer passivated, unperforated perforated	NS 35/15 UNPERF 2000 MM NS 35/15 PERF 2000 MM	1201714 1201730
9 Quick mounting end clamp	CLIPFIX 35-5	3022276
10 Aluminum end bracket, for screwing on, for end support of 50 - 240 mm ² terminal blocks, can be labeled with ZB 10, for mounting on NS 35...	E/AL-NS 35	1201662
11 Terminal strip marker, adjustable height, for end clamp CLIPFIX ..., can be labeled with EML (20x8) label or directly with B-STIFT or X-PEN	KLM 3-L	0814788
12 Warning label, for covering hoods of RBO 8-HC - RBO 16-HC bolt terminal blocks	RBO 8 HV LABEL	3026825
13 Test plug, consisting of: Metal part for 4 mm Ø socket hole and insulating sleeve for PS metal part, red	PS-MT	0311647
	PS-IH RD	0311579

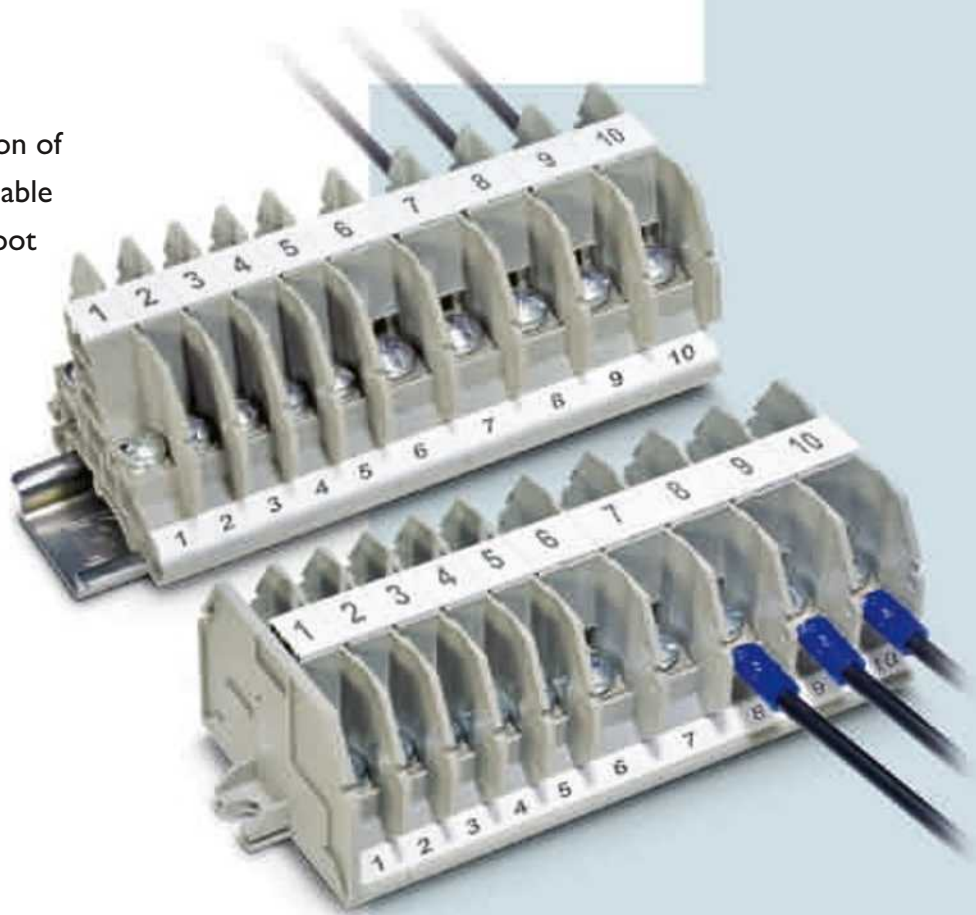
Terminal	1			2	3
	2-pos.	Bridges 3-pos.	10-pos.	Isolator bridge bar 10-pos.	Cover
RBO 5			FB 10-13 3059126	FB 10-13 ISO 3059663	D-RSC 5 3058020
RBO 5-F			FB 10-13 3059126	FB 10-13 ISO 3059663	D-RSC 5-F 3059647
RBO 5-T			FB 10-13 3059126	FB 10-13 ISO 3059663	D-RSC 5-T 3058046
RBO 5-T-F			FB 10-13 3059126	FB 10-13 ISO 3059663	D-RSC 5-T-F 3059346
RBO 6			FB 10-17 ISO 3213085		D-RSC 6 3213098
RBO 6-F			FB 10-17 ISO 3213085		D-RSC 6-F 3213108
RBO 8	RBO 8-VS 2 3213179	RBO 8-VS 3 3213182			
RBO 8-HC	RBO 8-VS 2 3213179	RBO 8-VS 3 3213182			
RBO 10	RBO 10-VS 2 3244643	RBO 10-VS 3 3244656			
RBO 10-HC	RBO 10-VS 2 3244643	RBO 10-VS 3 3244656			
RBO 12	RBO 12-VS 2 3244669	RBO 12-VS 3 3244672			
RBO 12-HC	RBO 12-VS 2 3244669	RBO 12-VS 3 3244672			
RBO 16	RBO 16-VS 2 3244685	RBO 16-VS 3 3244698			
RBO 16-HC	RBO 16-VS 2 3244685	RBO 16-VS 3 3244698			



4 Separating plate	5 Cover profile	6 Cover	7 Marking	
			Central groove	Central and lateral groove
TS-KK 3 2770215	AP RSC 3058017		ZB 13:UNBEDRUCKT 0829131	ZBF 13:UNBEDRUCKT 0829133
TS-KK 3 2770215	AP RSC 3058017		ZB 13:UNBEDRUCKT 0829131	ZBF 13:UNBEDRUCKT 0829133
TS-KK 3 2770215	AP RSC-T 3059139		ZB 13:UNBEDRUCKT 0829131	ZBF 13:UNBEDRUCKT 0829133
TS-KK 3 2770215	AP RSC-T 3059139		ZB 13:UNBEDRUCKT 0829131	ZB 13:UNBEDRUCKT 0829133
TS-KK 3 2770215	AP RSC 3058017		ZB 17:UNBEDRUCKT 0829391	ZBF 17:UNBEDRUCKT 0815020
TS-KK 3 2770215	AP RSC-T 3059139			
		HC-RBO 8 3247967		
		HC-RBO 10 3247970		
		HC-RBO 12 3247983		
		HC-RBO 16 3247996		

RSC screw terminal blocks

The RSC screw terminal blocks are particularly suitable for the connection of conductors with ring and fork-type cable lugs. They have a universal snap-on foot for mounting on standard DIN rails. For direct mounting, e. g. in switch boxes, flange terminal blocks are available which can be linked to blocks using engagement pins. Pre-assembled blocks complete the range of products.



Space-saving design

Thanks to their compact design, the RSC screw connection terminal blocks are ideally suited to switchgear in tight spaces.



Potential distribution

All variants have a central screw bridge shaft for potential distribution and fulfill the requirements of UL and IEC 60947-7-1.



Modular shock protection

Using the comprehensive range of accessories modular shock protection can be easily implemented to meet the particular application requirements.

Feed-through terminal blocks



Type	Order No.	RSC 4 3058127	RSC 4-F 3058130	RSC 5 3058143	RSC 5-F 3058156	RSC 6 3075870	RSC 6-F 3075919
Width / length / height NS 35/7.5	[mm]	9 / 53.3 / 47.1		13 / 53.3 / 47.1		17 / 80.8 / 49.8	
Width / length / height	[mm]	9 / 53.3 / 37		13 / 53.3 / 37		17 / 80.8 / 39.7	
Current / voltage IEC	[A] / [V]	32 / 800		57 / 800		125 / 800	
Current / voltage UL	[A] / [V]	30 / 600		45 / 600		- / -	
Stranded / AWG	[mm ²] / -	0.1 - 6 / 26 - 10		0.1 - 10 / 26 - 8		2.5 - 35 / 12 - 2	
Ring cable lug DIN 46234 / DIN 46237		0.1 - 6 / 0.5 - 2.5		0.1 - 10 / 0.5 - 6		6 - 35 / 2.5 - 6	
Connection bolt thread	[mm]	M4		M5		M6	

Pre-assembled blocks and disconnect terminal blocks



Type	Order No.	1-pos. 4-pos. 6-pos. 8-pos. 12-pos.	RSC 4-F/4 RSC 4-F/6 RSC 4-F/8 RSC 4-F/12	3059171 3059184 3059197 3059207	RSC 5-F/4 RSC 5-F/6 RSC 5-F/8 RSC 5-F/12	3059210 3059223 3059236 3059249	RSC 5-T 3058172	RSC 5-T-F 3058334
Width / length / height NS 35/7.5	[mm]	9 x no. of positions + 17.7 / 53.3 / 37		13 x no. of positions + 17.7 / 53.3 / 37		13 / 79.9 / 49.8		13 / 79.9 / 39.7
Width / length / height	[mm]	9 x no. of positions + 17.7 / 53.3 / 37		13 x no. of positions + 17.7 / 53.3 / 37		13 / 79.9 / 49.8		13 / 79.9 / 39.7
Current / voltage IEC	[A] / [V]	32 / 800		57 / 800		50 / 800 ¹⁾		
Current / voltage UL	[A] / [V]	30 / 600		45 / 600		41 / 600		
Stranded / AWG	[mm ²] / -	0.1 - 6 / 26 - 10		0.1 - 10 / 26 - 8		0.1 - 10 / 26 - 8		
Ring cable lug DIN 46234 / DIN 46237		0.1 - 6 / 0.5 - 2.5		0.1 - 10 / 0.5 - 6		0.1 - 10 / 0.5 - 6		
Connection bolt thread	[mm]	M4		M5		M5		

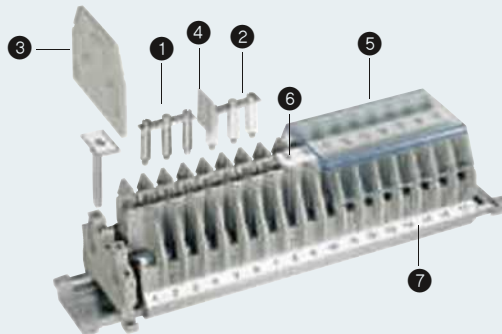
Terminal	Fixed bridge ²⁾	Isolating bridge bar ²⁾	Cover	Separating plate	Cover profile	Marking ³⁾	
						Center groove	Center and lateral groove
RSC 4	FB 10-9 3059113	FB 10-9 ISO 3059650	D-RSC 5 3058020	TS-KK 3 2770215	AP RSC 3058017	ZB 9:UNBEDRUCKT 0829127	ZBF 9:UNBEDRUCKT 0829129
RSC 4-F	FB 10-9 3059113	FB 10-9 ISO 3059650	D-RSC 5-F 3059647	TS-KK 3 2770215	AP RSC 3058017	ZB 9:UNBEDRUCKT 0829127	ZBF 9:UNBEDRUCKT 0829129
RSC 5	FB 10-13 3059126	FB 10-13 ISO 3059663	D-RSC 5 3058020	TS-KK 3 2770215	AP RSC 3058017	ZB 13:UNBEDRUCKT 0829131	ZBF 13:UNBEDRUCKT 0829133
RSC 5-F	FB 10-13 3059126	FB 10-13 ISO 3059663	D-RSC 5-F 3059647	TS-KK 3 2770215	AP RSC 3058017	ZB 13:UNBEDRUCKT 0829131	ZBF 13:UNBEDRUCKT 0829133
RSC 6	FB 10-17 ISO 3213085	-	D-RSC/RBO 6 3213098	TS-KK 3 2770215	AP RSC-T 3059139	ZB 17:UNBEDRUCKT 0829391	ZBF 17:UNBEDRUCKT 0815020
RSC 6-F	FB 10-17 ISO 3213085	-	D-RSC/RBO 6-F 3213108	TS-KK 3 2770215	AP RSC-T 3059139	ZB 17:UNBEDRUCKT 0829391	ZBF 17:UNBEDRUCKT 0815020
RSC 5-T	FB 10-13 3059126	FB 10-13 ISO 3059663	D-RSC 5-T 3058046	TS-KK 3 2770215	AP RSC-T 3059139	ZB 13:UNBEDRUCKT 0829131	ZBF 13:UNBEDRUCKT 0829133
RSC 5-T-F	FB 10-13 3059126	FB 10-13 ISO 3059663	D-RSC 5-T-F 3059346	TS-KK 3 2770215	AP RSC-T 3059139	ZB 13:UNBEDRUCKT 0829131	ZBF 13:UNBEDRUCKT 0829133

¹⁾ 630 V when disconnect point is open.

²⁾ Bridge current, see online catalog.

³⁾ Alternative marking material:

TMT (EX9,5)R, Order No. 0828295, see online catalog



Further information on the products presented here and on the world of solutions from Phoenix Contact can be found at www.phoenixcontact.net/catalog



Or contact us directly.

- **Modular Terminal Blocks**
CLIPLINE 1
- **Marking Systems, Tools, and Mounting Material**
CLIPLINE 2
- **Connection Technology for Field Devices and Field Cabling**
PLUSCON
- **Device Connection Technology and Electronic Housings**
COMBICON
- **Power and Signal Quality**
TRABTECH
- **Signal Converters, Switching Devices, Power Supply Units**
INTERFACE
- **Automation Components and Systems**
AUTOMATION

PHOENIX CONTACT GmbH & Co. KG
32823 Blomberg, Germany
Phone: +49 (0) 52 35 3-00
Fax: +49 (0) 52 35 3-4 12 00
www.phoenixcontact.com