

# SACC-E-FS-12CON-M16/1,0 SCO

Order No.: 1401030




<http://eshop.phoenixcontact.de/phoenix/treeViewClick.do?UID=1401030>

Sensor/actuator flush-type socket, 12-pos., M12 SPEEDCON, front/screw mounting with M16 thread, with 1.0 m PVC litz wire, 12 x 0.14 mm<sup>2</sup>



## Commercial data

GTIN (EAN)	 4 046356 517409
Note	Made-to-order
sales group	D125
Pack	1 pcs.
Customs tariff	85444290

## Product notes

WEEE/RoHS-compliant since:  
07/01/2009



<http://www.download.phoenixcontact.com>  
Please note that the data given here has been taken from the online catalog. For comprehensive information and data, please refer to the user documentation. The General Terms and Conditions of Use apply to Internet downloads.

## Technical data

### General data

Note	This product corresponds to the PROFINET Cabling and Interconnection Technology Guideline for PROFINET regulations, version 2.00, order no: 2.252, Chapter 8.2 Connectors for Outside Environment (Balanced cabling)
Rated current at 40°C	4 A

Rated voltage	250 V
Number of positions	4
Volume resistance	$\leq 3 \text{ m}\Omega$
Insulation resistance	$\geq 100 \text{ M}\Omega$
Length of cable	0.5 m

#### General characteristics

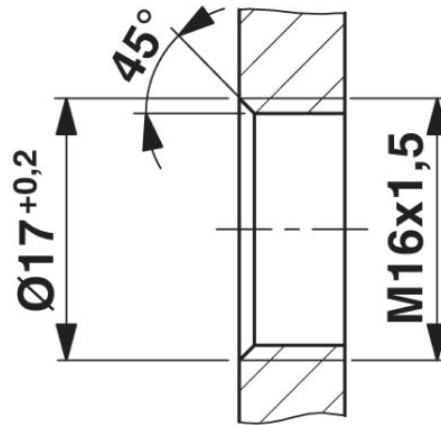
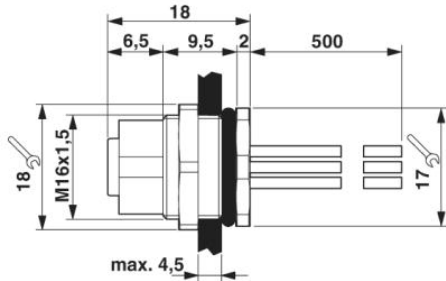
Standards/regulations	M12 connector IEC 61076-2-101
Coding	D - data
Surge voltage category	II
Pollution degree	3
Degree of protection	IP67
Contact material	CuZn
Contact surface material	Au
Contact carrier material	PA 66
Material, knurls	Zinc die-cast, nickel-plated
Sealing material	NBR
Mounting type	Rear mounting M16 x 1.5 With flat nut
Connection method	Individual wires
Status display	No

#### Conductor data

Cable type	TPE litz wire
Conductor cross section	$0.34 \text{ mm}^2$
AWG signal line	22
Core diameter including insulation	$1.2 \text{ mm} \pm 0.07 \text{ mm}$
Thickness, insulation	0.21 mm
Wire colors	Yellow, orange, white, blue
Insulation resistance	$\geq 20 \text{ M}\Omega \cdot \text{km}$
Conductor resistance	$\leq 57.6 \text{ m}\Omega/\text{m}$
Nominal voltage, conductor	300 V
Test voltage, conductor	2000 V AC
Conductor material	Tin-plated Cu litz wires

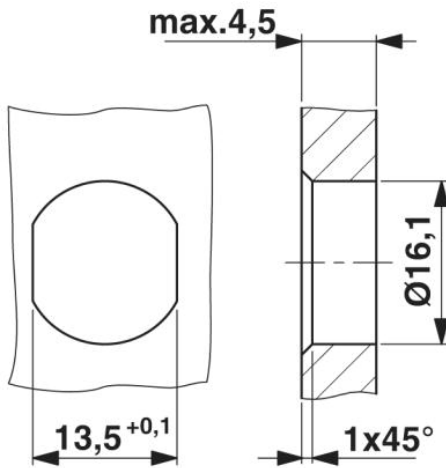
**Diagrams/Drawings**

Dimensioned drawing

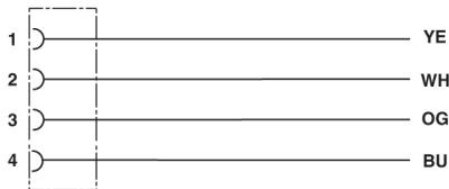


Housing cutout for M16 fastening thread, mounting panel with thread

Housing cutout for M16 fastening thread, mounting panel with feed-through hole (alternatively with surface as protection against rotation)



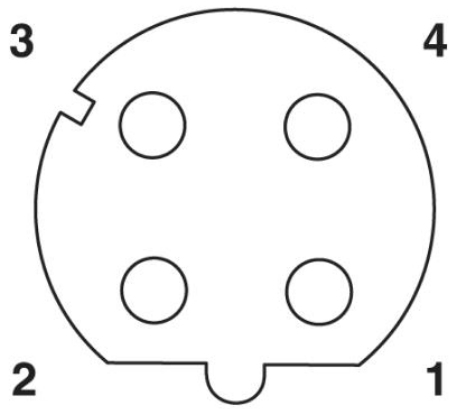
Circuit diagram



Contact assignment of the M12 socket

Schematic diagram

---



Pin assignment M12 female connector, 4-pos., D-coded, female side

**Address**

PHOENIX CONTACT Deutschland GmbH  
Flachmarktstr. 8  
32825 Blomberg, Germany  
Phone +49 5235 3 12000  
Fax +49 5235 3 41200  
<http://www.phoenixcontact.de>



© 2011 Phoenix Contact  
Technical modifications reserved;