

SACC-E-FS-12CON-M16/1,0 SCO


Order No.: 1401030

<http://eshop.phoenixcontact.de/phoenix/treeViewClick.do?UID=1401030>

Sensor/actuator flush-type socket, 12-pos., M12 SPEEDCON, front/
screw mounting with M16 thread, with 1.0 m PVC litz wire, 12 x 0.14
mm²



Commercial data

GTIN (EAN)	 4 046356 517409
Note	Made-to-order
sales group	D125
Pack	1 pcs.
Customs tariff	85444290

Product notes

WEEE/RoHS-compliant since:
07/01/2009



[http://
www.download.phoenixcontact.com](http://www.download.phoenixcontact.com)
Please note that the data given
here has been taken from the
online catalog. For comprehensive
information and data, please refer
to the user documentation. The
General Terms and Conditions of
Use apply to Internet downloads.

Technical data

General data

Rated current at 40°C	4 A
Rated voltage	250 V
Number of positions	4
Volume resistance	≤ 3 mΩ

Insulation resistance	≥ 100 MΩ
Ambient temperature (operation)	-25 °C ... 85 °C (Male connector / female connector)

General characteristics

Standards/regulations	M12 connector IEC 61076-2-101
Coding	A - standard
Surge voltage category	II
Pollution degree	3
Degree of protection	IP67
Contact material	CuZn
Contact surface material	Au
Contact carrier material	PA 66
Material, knurls	Zinc die-cast, nickel-plated
Sealing material	NBR
Mounting type	Rear mounting M16 x 1.5 With flat nut
Connection method	Solder pins
Length of the solder contacts	6 mm
Status display	No

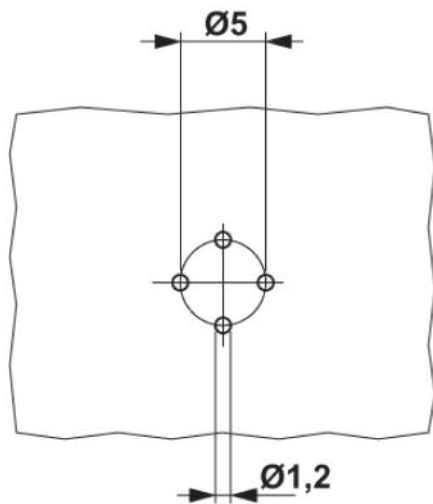
Certificates / Approvals



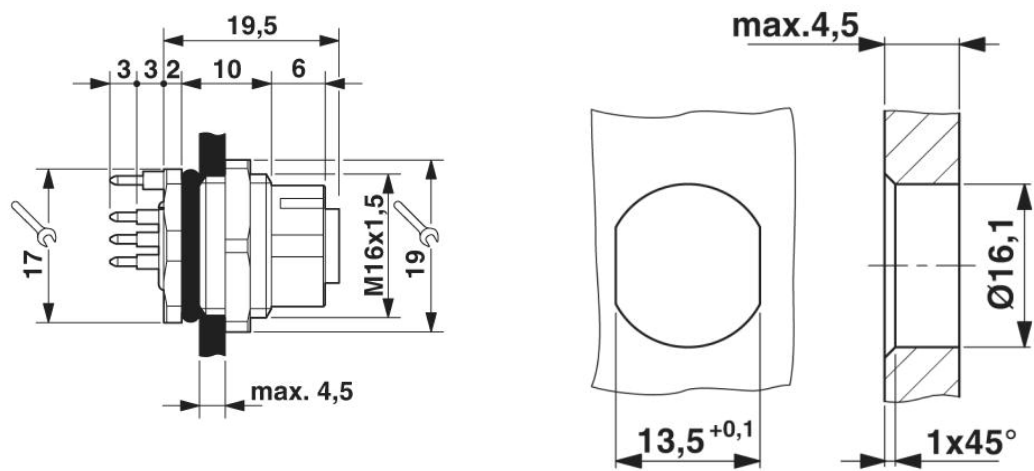
Certification UL

Diagrams/Drawings

Drilling plan/solder pad geometry

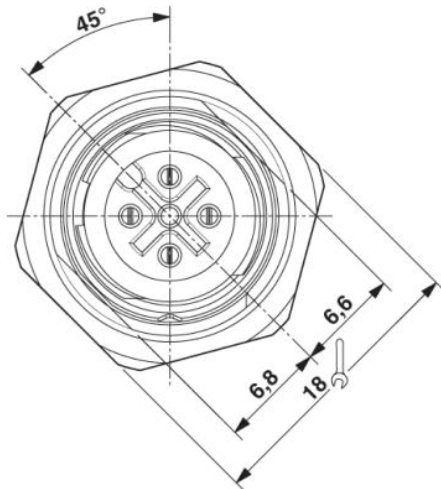


Dimensioned drawing



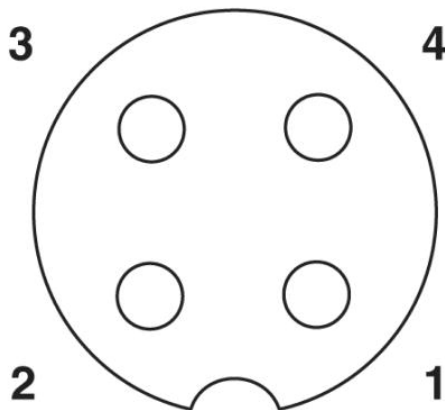
Housing cutout for M16 fastening thread,
mounting panel with feed-through hole
(alternatively with surface as protection
against rotation)

M12 front view



Schematic diagram

Pin assignment M12 socket, 4-pos., A-coded, view female side



Address

PHOENIX CONTACT Deutschland GmbH
Flachmarktstr. 8
32825 Blomberg, Germany
Phone +49 5235 3 12000
Fax +49 5235 3 41200
<http://www.phoenixcontact.de>



© 2011 Phoenix Contact
Technical modifications reserved;