


SACC-DSI-M12FS-4CON-M16 SH

Order No.: 1419771

<http://eshop.phoenixcontact.de/phoenix/treeViewClick.do?UID=1419771>

Sensor/actuator flush-type socket, 4-pos. with shield contact, M12 SPEEDCON, A-encoded, rear/screw mounting with M16 thread, with straight solder connection

| Commercial data | |
|--------------------------|--------------------------------------------------------------------------------------------------------|
| GTIN (EAN) |  4 046356 534093 |
| Note | Made-to-order |
| sales group | D125 |
| Pack | 20 pcs. |
| Customs tariff | 85366990 |
| Catalog page information | Page 51 (PC-2011) |

Product notes

WEEE/RoHS-compliant since:
09/29/2009

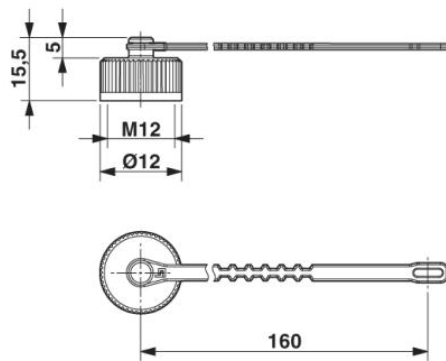


<http://www.download.phoenixcontact.com>
Please note that the data given here has been taken from the online catalog. For comprehensive information and data, please refer to the user documentation. The General Terms and Conditions of Use apply to Internet downloads.

| Technical data | |
|------------------------------------|--------------------|
| General characteristics | |
| Degree of protection | IP67 |
| Material | PA 66 GF |
| Sealing material | NBR |
| Additional material specifications | PUR (Holding band) |

Diagrams/Drawings

Dimensioned drawing



Dimensional drawing

Address

PHOENIX CONTACT Deutschland GmbH
Flachmarktstr. 8
32825 Blomberg, Germany
Phone +49 5235 3 12000
Fax +49 5235 3 41200
<http://www.phoenixcontact.de>



© 2011 Phoenix Contact
Technical modifications reserved;