

SACC-DSI-M12FS-4CON-M16 SH

Order No.: 1419771


<http://eshop.phoenixcontact.de/phoenix/treeViewClick.do?UID=1419771>

Sensor/actuator flush-type socket, 4-pos. with shield contact, M12
SPEEDCON, A-encoded, rear/screw mounting with M16 thread, with
straight solder connection

**Product notes**

WEEE/RoHS-compliant since:
09/29/2009

**Commercial data**

GTIN (EAN)	 4 046356 534093
Note	Made-to-order
sales group	D125
Pack	20 pcs.
Customs tariff	85366990
Catalog page information	Page 51 (PC-2011)

<http://>

www.download.phoenixcontact.com
Please note that the data given
here has been taken from the
online catalog. For comprehensive
information and data, please refer
to the user documentation. The
General Terms and Conditions of
Use apply to Internet downloads.

Technical data**General data**

Rated current at 40°C	4 A
Rated voltage	60 V
Number of positions	5
Volume resistance	≤ 3 mΩ

Insulation resistance	≥ 100 MΩ
Ambient temperature (operation)	-25 °C ... 85 °C (Male connector / female connector)

General characteristics

Standards/regulations	M12 connector IEC 61076-2-101
Coding	A - standard
Surge voltage category	II
Pollution degree	3
Degree of protection	IP67
Contact material	CuZn
Contact surface material	Au
Contact carrier material	PA 66
Sealing material	FKM / EPDM
Mounting type	PCB mounting
Connection method	Solder pins
Status display	No

Certificates / Approvals



Certification GOST, UL

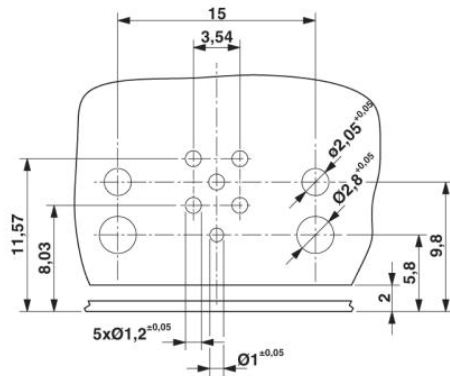
Additional products

Item	Designation	Description
1432460	SACC-M12-SCO NUT L 90	M12-SPEEDCON housing screw connection for M12 female inserts, with flat gasket, for all Speedcon-compatible THR and wave soldering contact carriers

Housing screw connection

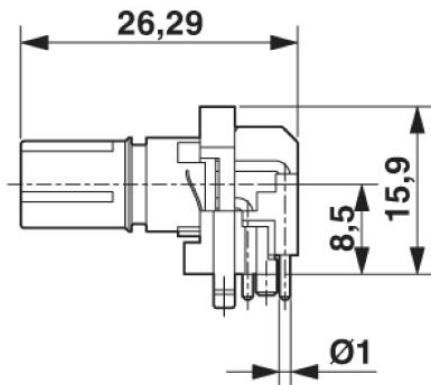
Diagrams/Drawings

Drilling plan/solder pad geometry

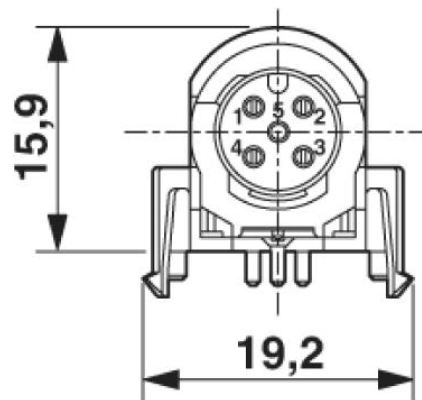


Drilling diagram only valid in connection with the **SACC-M12-SCO NUT L90** housing (order no. 1432460)

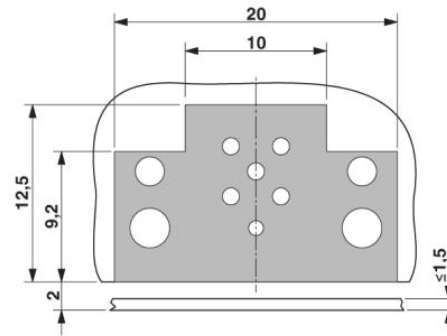
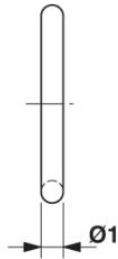
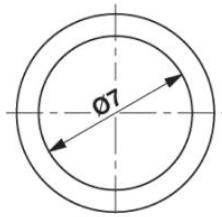
Dimensioned drawing



M12 flush-type connector, socket, contact carrier, side view



M12 flush-type connector, socket, contact carrier, front view

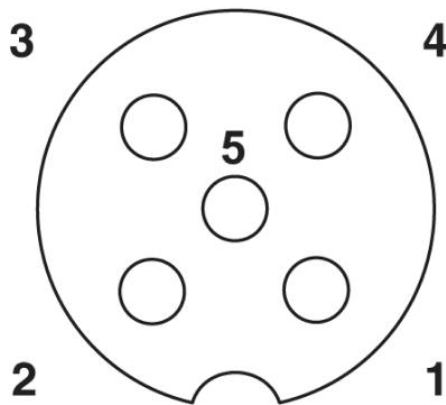


Optionally with O-ring (green) for tight seal when plugged in.

- the axial mating force of 80 N per connector may not be exceeded when using with assembled O-ring!
- Avoid radial forces!

Locked area on the PCB

Schematic diagram



Pin assignment M12 socket, 5-pos., A-coded, socket side view

Address

PHOENIX CONTACT Deutschland GmbH
Flachmarktstr. 8
32825 Blomberg, Germany
Phone +49 5235 3 12000
Fax +49 5235 3 41200
<http://www.phoenixcontact.de>



© 2011 Phoenix Contact
Technical modifications reserved;